



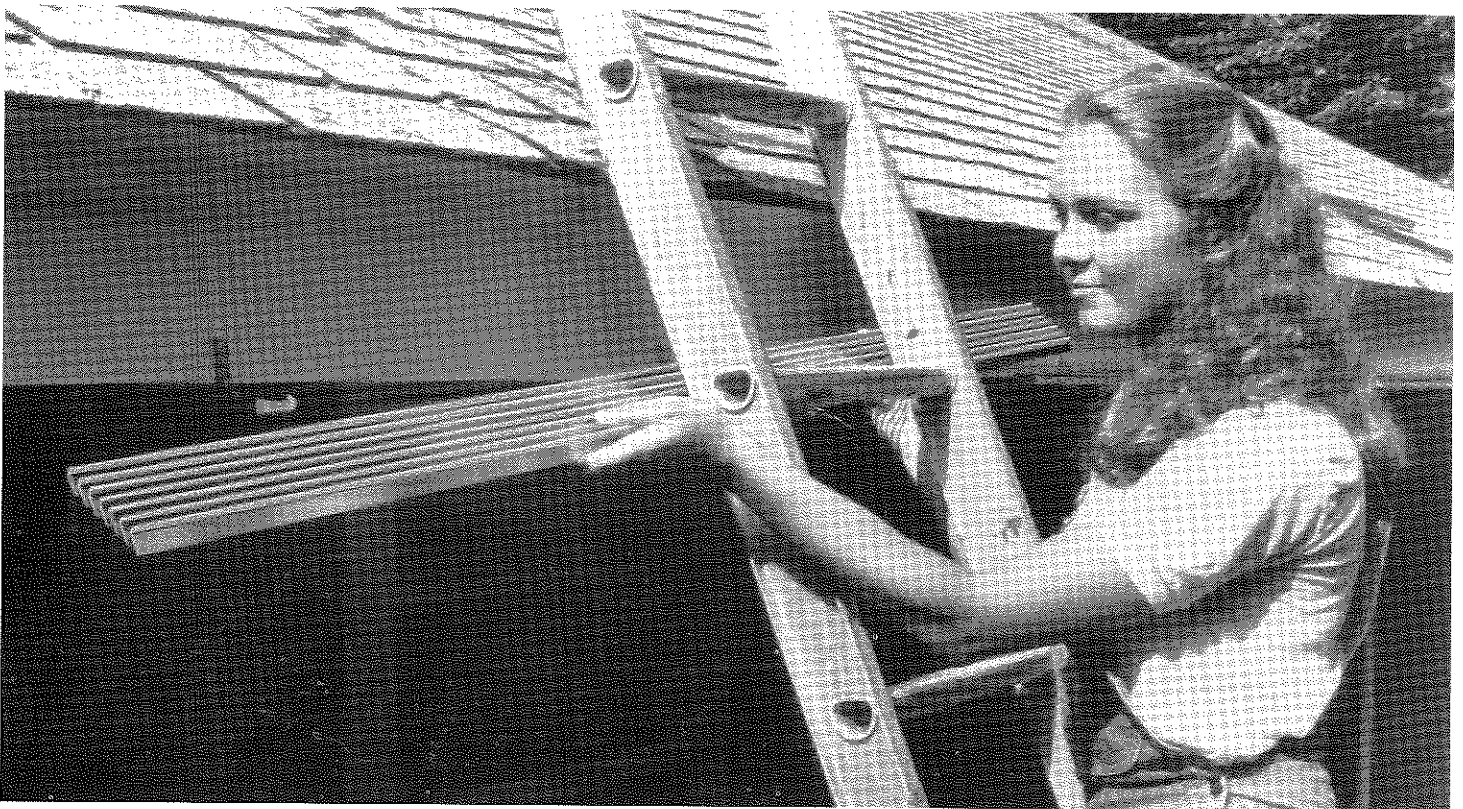
from SAVETIME CORP.

## INSTALLATION INSTRUCTIONS

UPDATED 5/10

*(Supersedes all prior issues)*

- RAINHANDLER RAIN DISPERSAL SYSTEM
- DOORBRELLA™
- ROOF VALLEY RAIN DIVERTER



from SAVETIME CORP.

2710 North Avenue  
Bridgeport, CT 06604

1-800-942-3004

[www.rainhandler.com](http://www.rainhandler.com)

## A - INSTALLATION ON HOME

**IMPORTANT:** You should have a 1"x4" (or wider) fascia board and a 1 1/2" to 2 1/2" drip edge overhang. Otherwise see next page **NOW!**

### Items Needed:

- Phillips screwdriver (#2)
- pencil
- 5/16 HEX Driver
- rule
- hammer
- ladder
- sheet metal shears or hacksaw

1. Center the ladder 30 inches from end of roof edge. (Figure 1). *Be sure ladder is secure.* Climb ladder with needed tools and place Rainhandler temporarily on roof.

2. Measure and mark bracket positions at 10, 30, and 50 inches from **roof end** (Figure 2) **at the bottom of your fascia board.**

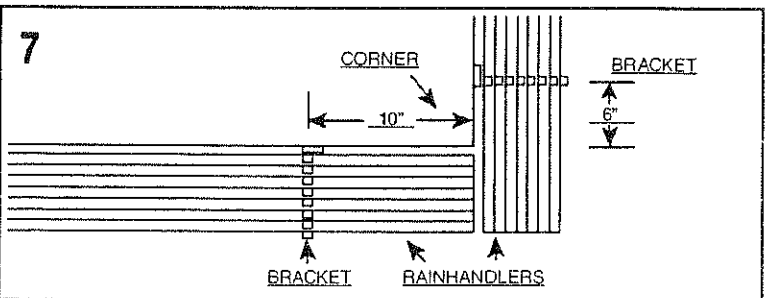
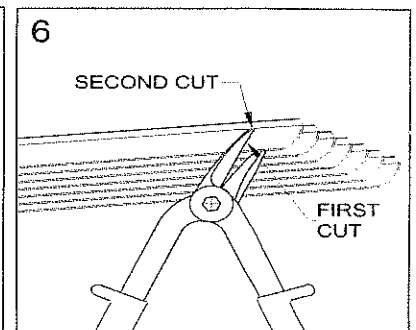
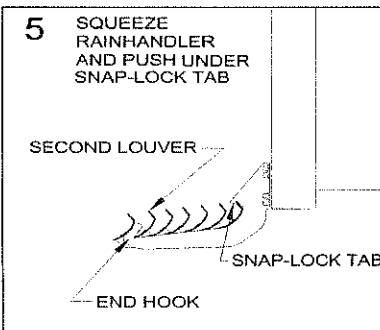
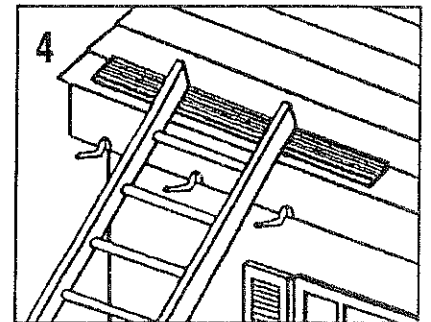
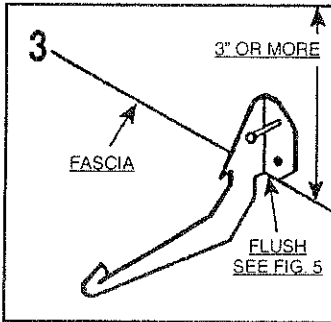
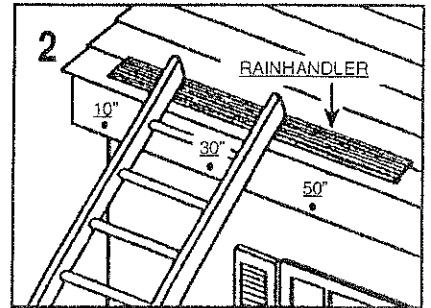
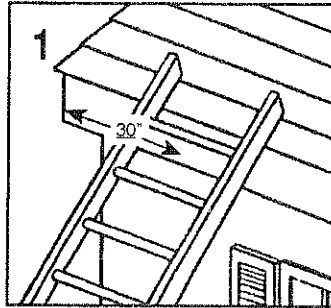
3. Using bracket, spot and mark screw holes at each bracket position. Start screw holes with 6d nail or use drill bit. (Figure 3).

4. Mount brackets, seating screws snugly. (Figure 4). **DONOT OVERTIGHTEN SCREWS.**

5. Swing the Rainhandler section under the ladder. Mount it by hooking the **second louver** with the end hook, the push down and squeeze the rear louver until it is engaged under the snap lock tab. (Figure 5). Climb down ladder and repeat steps 1-5 for each additional Rainhandler section. Climb and use ladder with care.

6. It is usually necessary to cut the final section to length. Mark the place to cut on the Rainhandler. Cut one louver at a time with metal shears as shown in Figure 6. When finished, any bent louvers can be reshaped with pliers. To cut with a fine toothed hack saw or chop saw, place the Rainhandler bottom side up on a piece of scrap wood, with the fully visible louver facing you. When cutting a section, leave as many cross-supports as possible. Example: 2" off each end is better than 4" off one end. Adjust bracket positions as needed. Pieces cannot be cut shorter than 2 feet, as the brackets will not fit the piece.

7. For installation at roof corners see Figure 7.



### NOTE ON PAINTING

All Rainhandlers may be painted. To paint the Rainhandlers:

- [a] Wipe them with acetone (available at your hardware store). For painted sections, wait 24 hours for paint to soften. Better, because you have 2 base coats.
- [b] Paint with any suitable metal paint. Rustoleum and Krylon spray work well or you may check with your local paint dealer for wa suitable product.

# RAINHANDLER

## Normal Measurements

No accessories required – Figure 1.

Read the measuring information in Figure 1. If you do not have the required fascia width, or drip edge, or your fascia is at an angle, go to Special Situation info, 2a to 3 below.

1. See Figure 1. **ALWAYS MOUNT THE RAINHANDLER AT THE BOTTOM EDGE OF YOUR FASCIA BOARD.** If you have measurements as shown, or a wider than 4 inch fascia which is better than the 1" x 4" required minimum, you have a normal installation and **NEED NO ACCESSORIES.** The wider your fascia board, the better your Rainhandler System will work. **REPEAT, ALWAYS MOUNT THE RAINHANDLER AT THE BOTTOM EDGE OF YOUR FASCIA BOARD.**

## Special Situations – 2a through 3

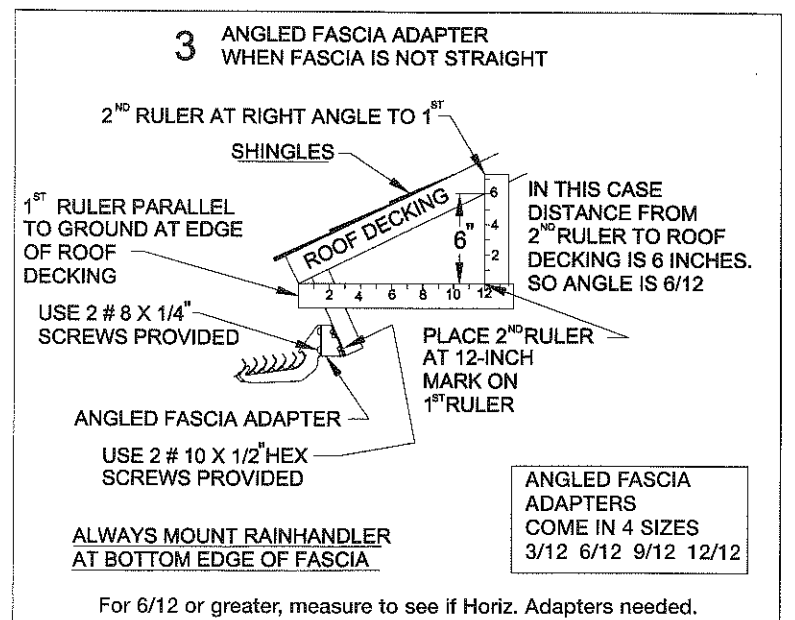
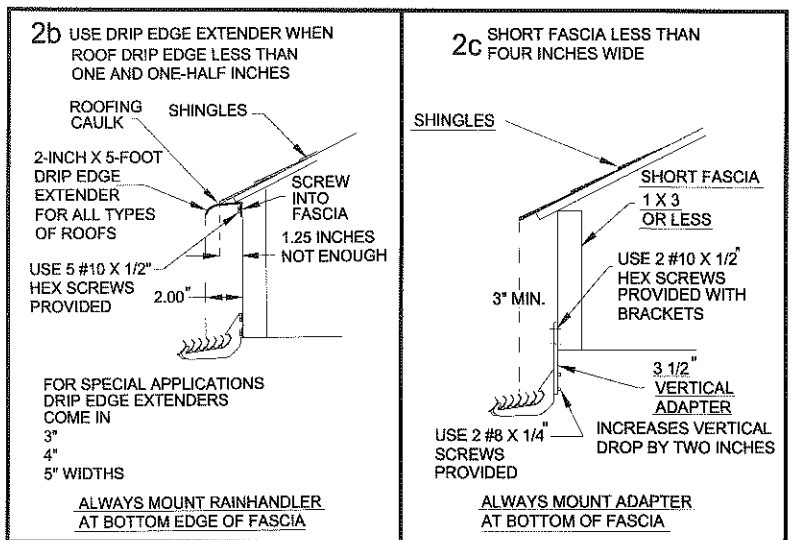
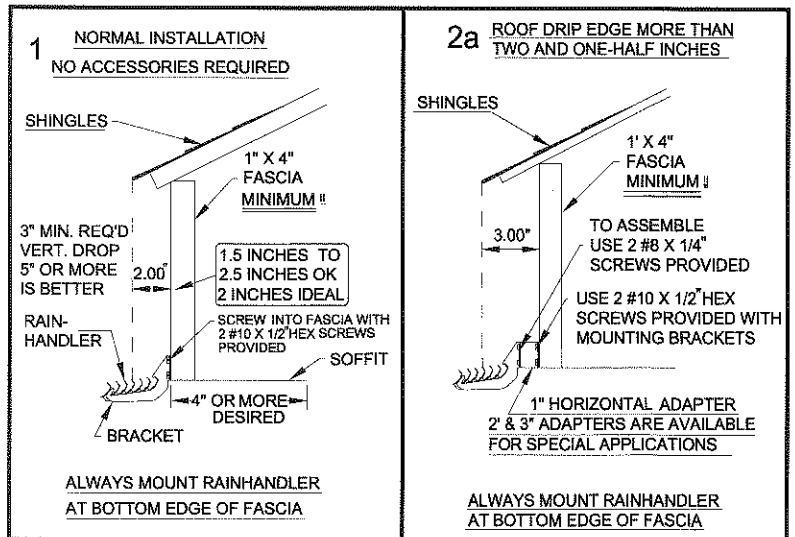
Adapters may be combined as needed to meet measurement requirements. They should be preassembled with 1/4 inch aluminum screws provided. **DO NOT OVER-TIGHTEN.**

2a. See Figure 2a. If your roof's drip edge extends more than 2 1/2" from the fascia, but less than 3 1/2" use one Horizontal Adapter. From 3 1/2" to 4 1/2" use two and from 4 1/2" to 5 1/2" use three, the maximum recommended.

2b. See Figure 2b. If your roof's drip edge extends less than 1 1/2", use the Drip Edge Extender. Each five foot DEE screws into the fascia board with the 5 screws provided. Run a bead of caulk along the back side of the flange you are screwing into the fascia. Snug the DEE up tight against the roof edge and install it. After it is installed, run another bead of caulk where the roof edge meets the DEE.

2c. See Figure 2c. If your fascia board is less than the minimum 1" x 4" board or your vertical drop is less than 3" use the Vertical Adapter, which lowers the Rainhandler 2 inches.

3. See Figure 3 which shows an angled fascia board. Measure as shown. Always choose the equal or next lower Angled Fascia Adapter. Example, you measure 3/12, 4/12 or 5/12, choose 3/12. Measure 6/12, 7/12 or 8/12, choose 6/12, etc. If you measure 12/12 or greater, phone for information on how to handle.



## ROOF VALLEY RAIN DIVERTER INSTALLATION INSTRUCTIONS

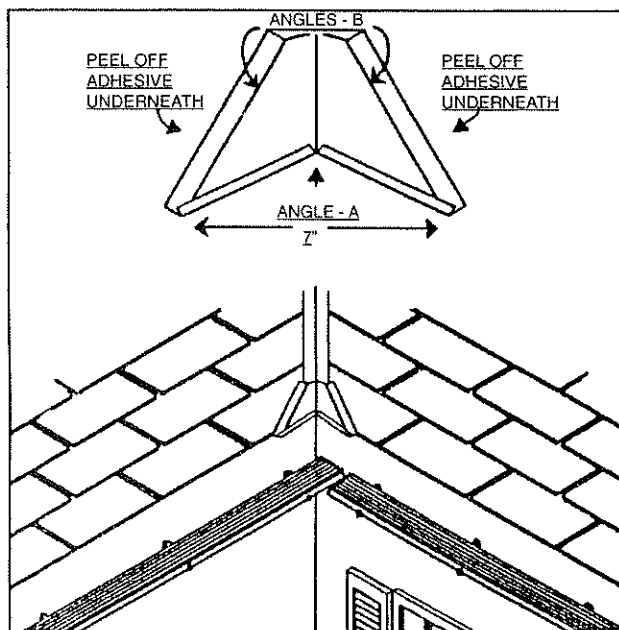
The Roof Valley Rain Diverter has been designed to fit most roof valleys and to prevent the runoff water from overshooting the RAINHANDLER® rain dispersers.

Please read the instructions carefully and follow them precisely. The temperature **MUST** be 55° F. or above. Once mounted the RVRD becomes a permanent installation. If necessary, it can be removed using a putty knife on a warm day.

1. The RVRD may be adjusted to fit your roof valley. Angles A and B may be bent to do this. See diagram.

2. The RVRD should be **TEST MOUNTED FIRST** before being permanently affixed to the roof. This is done by placing the RVRD at the bottom of the valley about 1/2 to 1" below the drip edge. Then using your garden hose allow water to run down the valley and adjust the RVRD position for the best dispersion on the RAINHANDLER®.

3. Mark the position of the RVRD. Remove the paper from the adhesive and affix it to the valley where you marked it.



### NOTE ON ADHESIVE

Adhesive on Drip Edge Extender, Doorbrella, and RVRD is permanent. Be certain to position properly and accurately before affixing.

## DOORBRELLA® INSTALLATION INSTRUCTIONS

Make sure surface is flat and dry. Adhesive requires warm surface; install on a sunny day with outside temperature above 55° F. Once mounted, DOORBRELLA becomes a permanent installation. (It may be removed by carefully prying it up with a putty knife on a warm day.)

To install:

1. Pre-position the diverter on your roof surface to define adhesion area.
2. Clean adhesion area with a whisk broom to remove any loose granules or other material.
3. Peel paper from black adhesive on diverter section.
4. Position properly before allowing adhesive to touch surface. Lower onto surface and press firmly to surface over entire contact area.
5. Repeat for other side, slightly overlapping as shown in diagram.
6. Finally, pack putty along upper edge as needed, making sure to fill any spaces between shingles and the Doorbrella as shown in diagram. The spaces should be filled all the way to the next row of shingles. Any good quality caulk can be used in place of the putty if you prefer.

## RAINHANDLER DOORBRELLA

