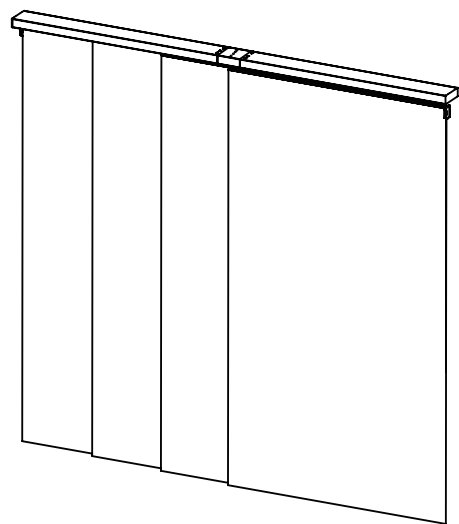


# INSTRUCTION

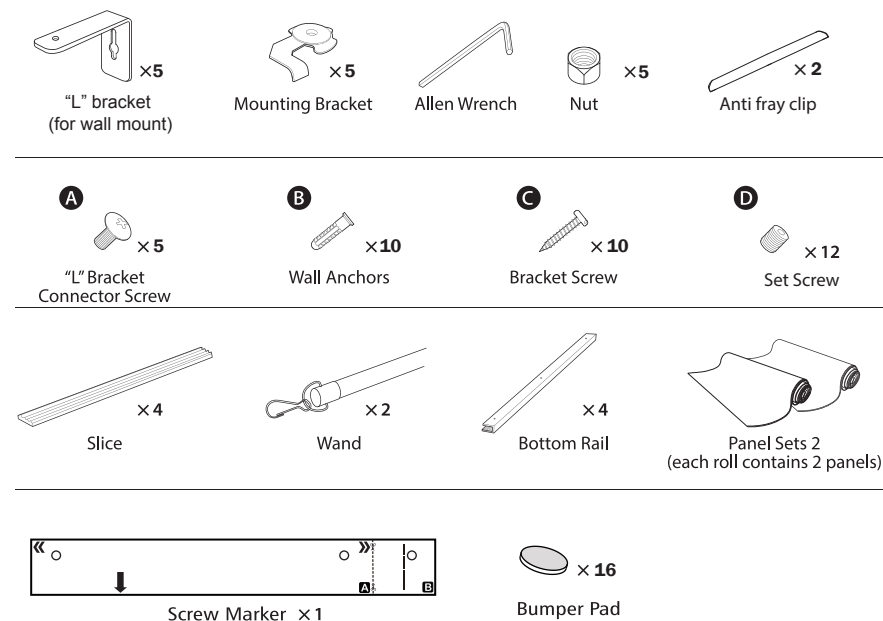
# Adjustable 4 Rail Panel System



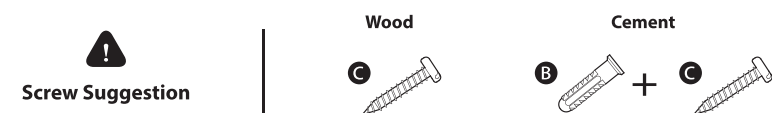
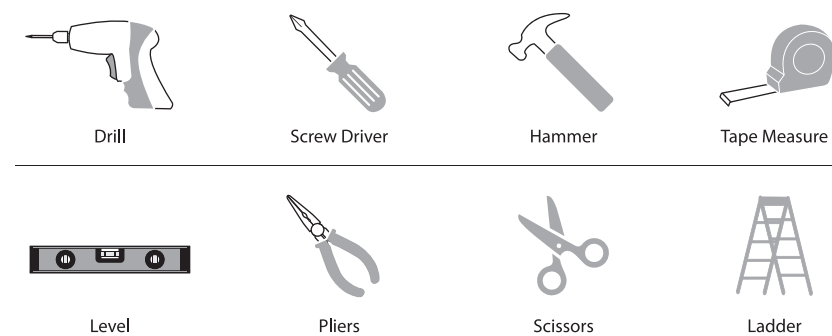
Before start your installation, please check all pieces.  
If there are missing or defective parts, kindly contact GoDear Design directly for further help.

## Parts

Adjustable Track x 1

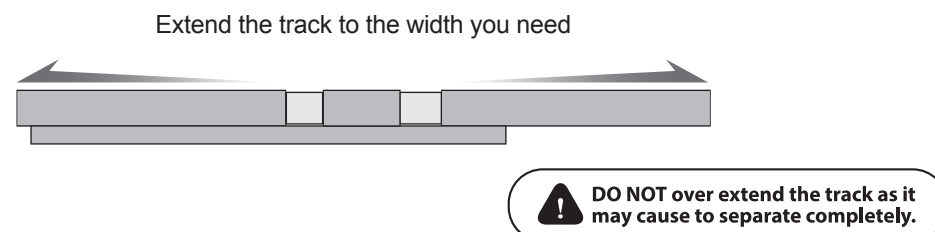


## Prepare Tools

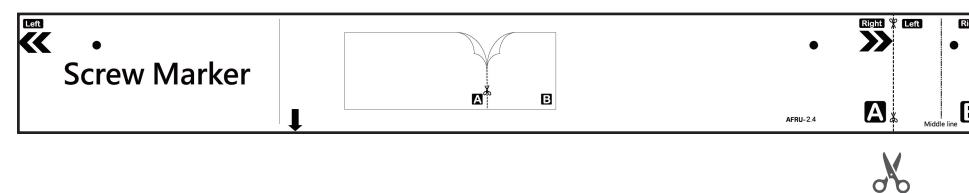


## Wall Mount

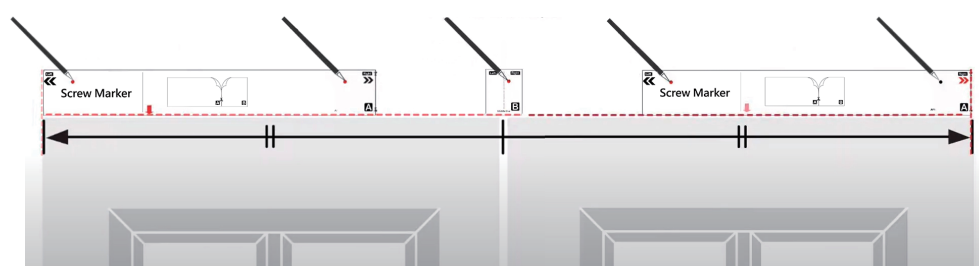
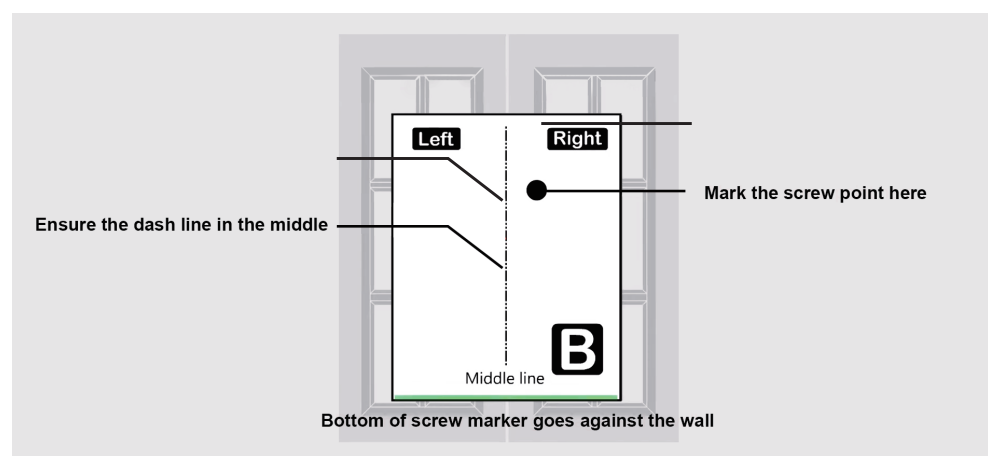
**Step 1** Extend the track to the width you need (maximum 86")



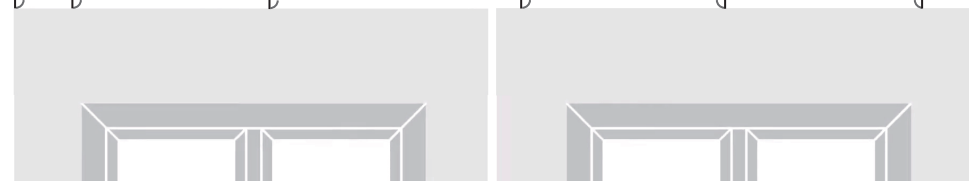
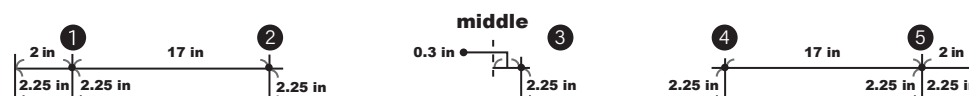
**Step 2** Mark the screws position with provided screw marker.



**Step 3** Cut down the cardboard B and use it to mark the central screw point.  
Align cardboard A against the left side and mark 2 screw points, vice versa.

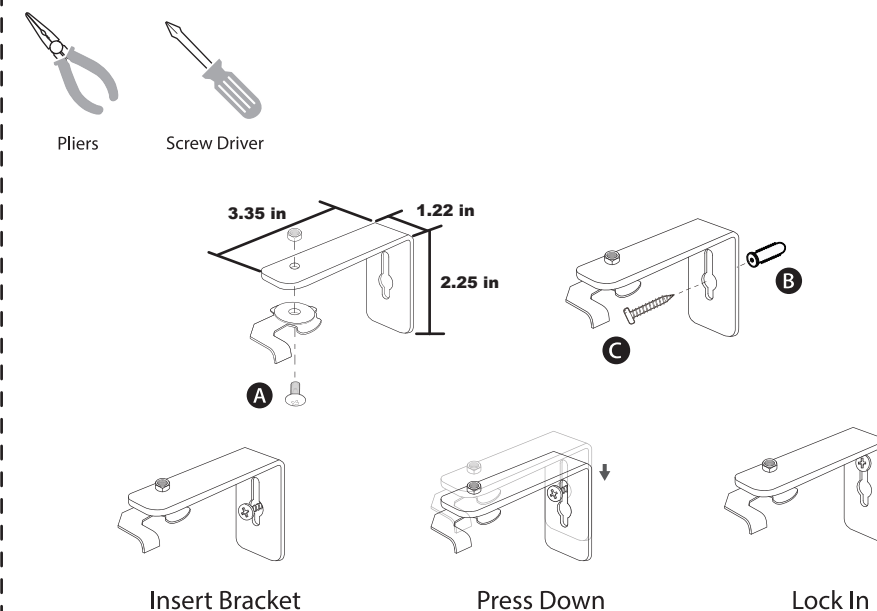


Note: If you don't want to use the screw marker, you can also use a tape measure to draw screw points, 5 screw points must be on the same level.

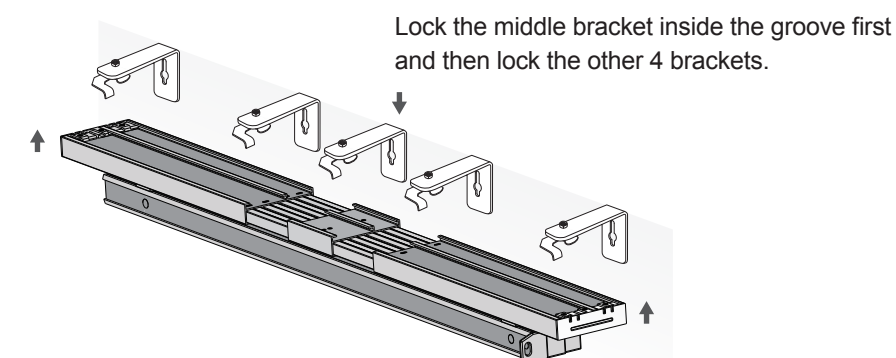


## OUTSIDE MOUNT:

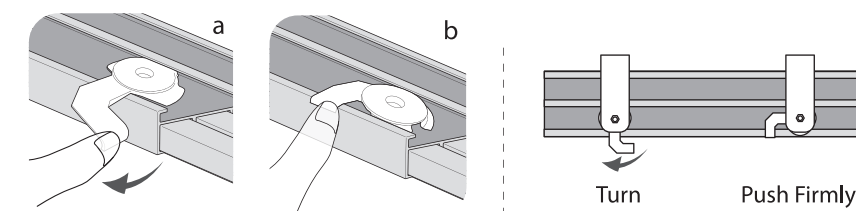
- Minimum 2.5" of bracket height required on the top.
- Use a plier and a screw marker to fasten nuts screws.



**Step 4** Attach the track to the mounting brackets.  
We recommend additional hand to finish this step.



**Step 5** Make sure the mounting brackets are tightened inside the groove.

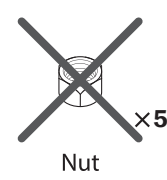
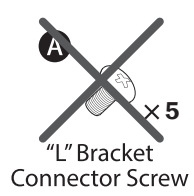
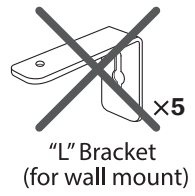


**Caution!** All the brackets must be correctly and firmly installed.

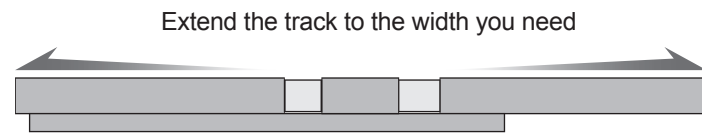
Please follow Step 6 to complete the installation.

# Ceiling Mount

Not required for ceiling mount

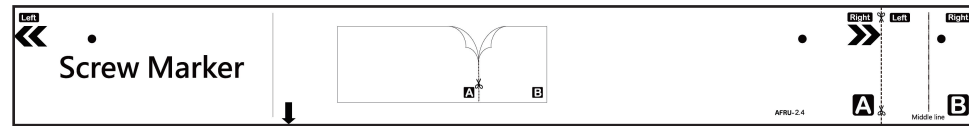


**Step 1** Extend the track to the width you need (maximum 86")

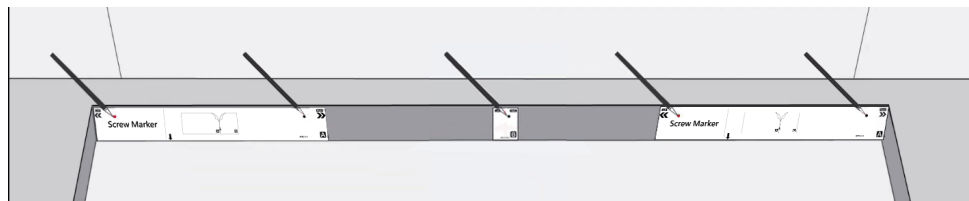
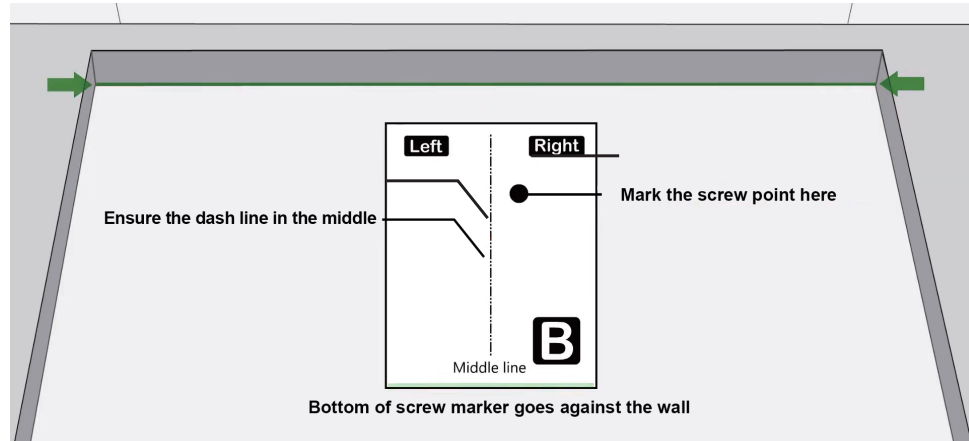


**!** DO NOT over extend the track as it may cause to separate completely.

**Step 2** Mark the screws position with provided screw marker.



**Step 3** Cut down the cardboard B and use it to mark the central screw point. Align cardboard A against the left side and mark 2 screw points, vice versa.

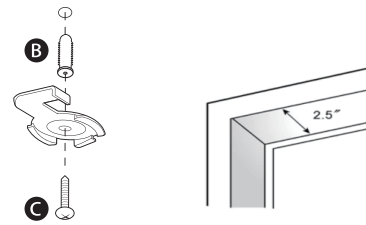


Note: If you don't want to use the screw marker, you can also use a tape measure to draw screw points, 5 screw points must be on the same level.

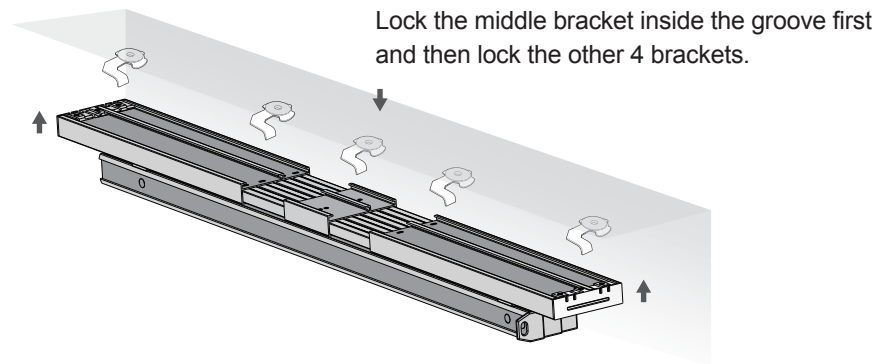


**IF INSIDE MOUNT:**

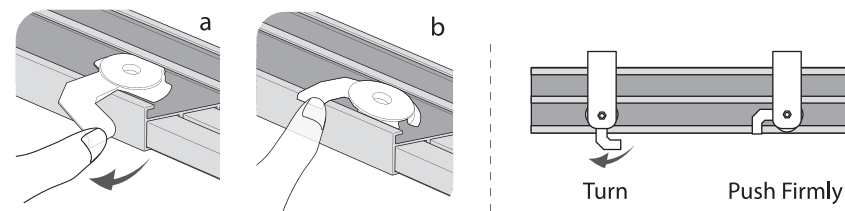
- Minimum 2.5" depth needed.
- Make sure mounting surface is FLAT.
- Keep the mounting brackets adjustable.



**Step 4** Attach the track to the mounting brackets. We recommend additional hand to finish this step.



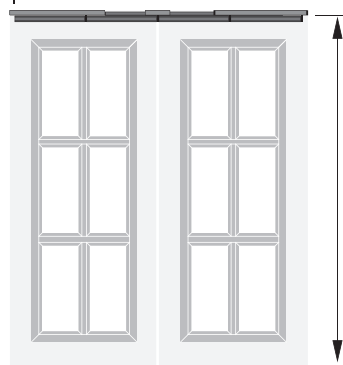
**Step 5** Make sure the mounting brackets are tightened inside the groove.



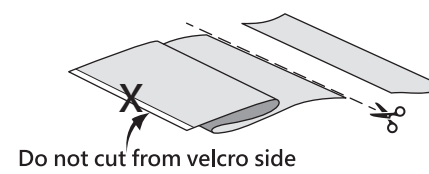
**Caution!** All the brackets must be correctly and firmly installed.

**Step 6 - Sliding Panel**

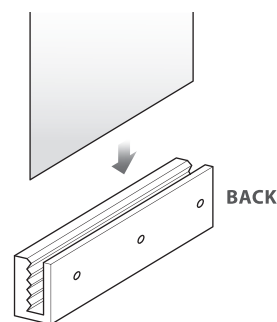
**a** Measure the size you want



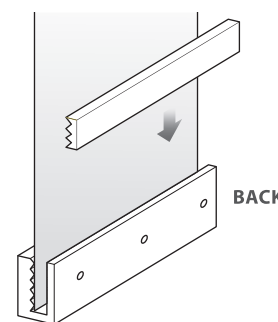
**b** Cut out the length of Panel



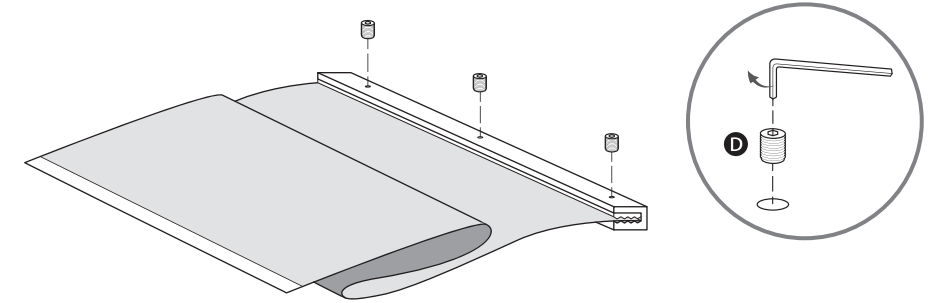
**c** Insert the panel



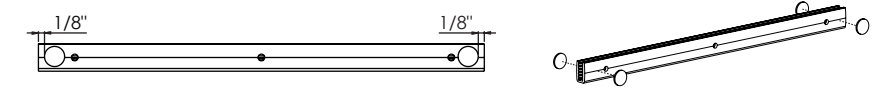
**d** Insert the slice



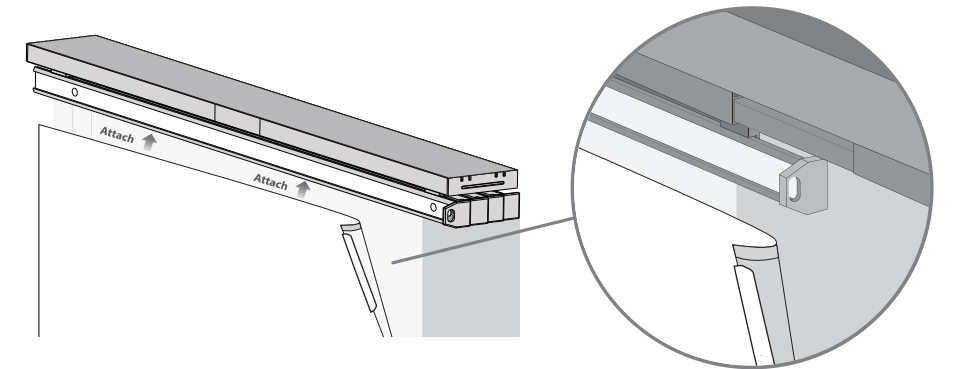
**e** Use Allen wrench to screw set screws into the bottom rails.



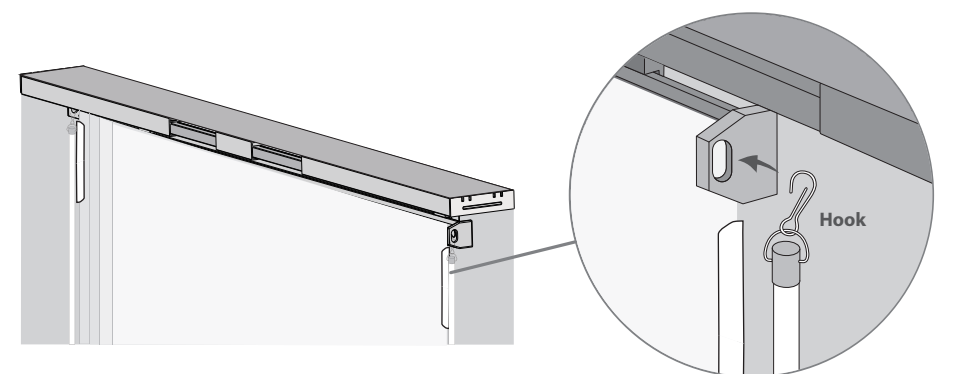
**f** 4 bumper pads on each bottom rail recommended



**Step 7** Apply the anti fray clips to two sides of panels. Attach panels on the sliding rails.



**Step 8** Hook the 2 wands to the leading and ending guide rails.



**Tips** Best 45 degree, use wand to open and close fabric panels with ease.

