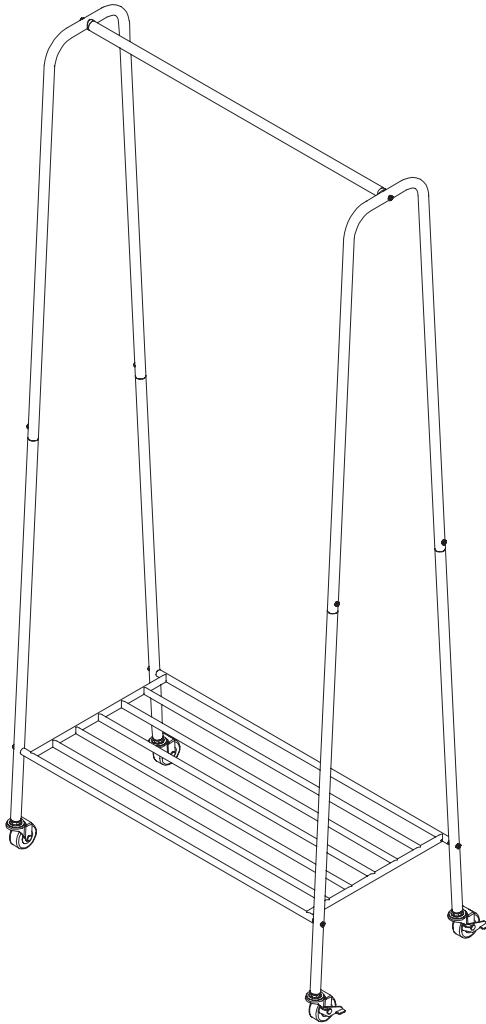




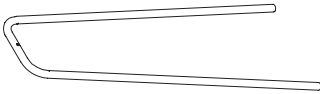

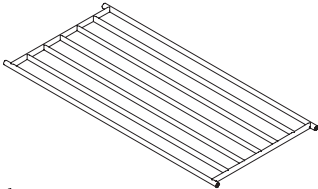
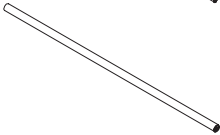



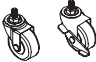


GAR-09057

countryside chic garment rack



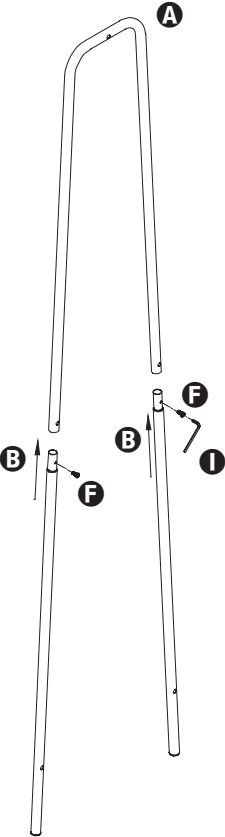
30.75 in L x 15 in W x 68.11 in H

PARTS LIST

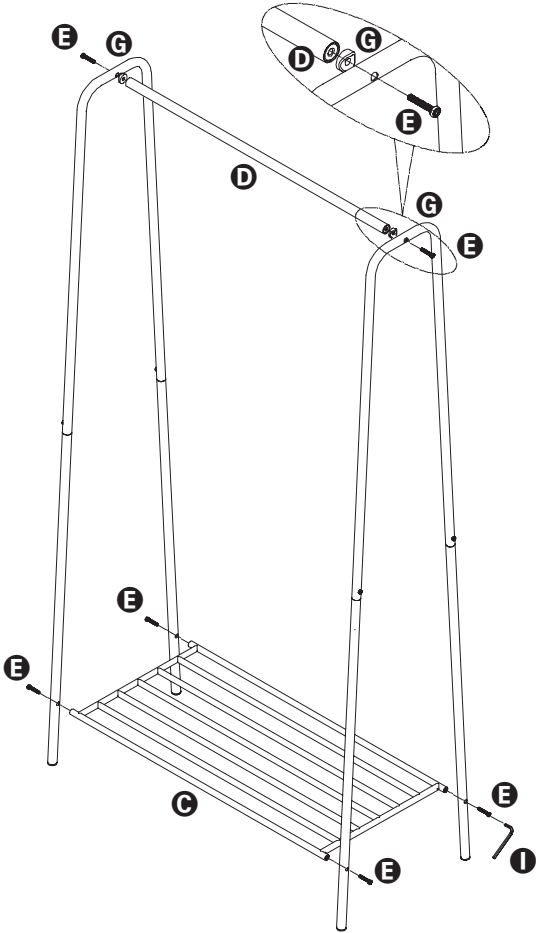
PART/ILLUSTRATION	(QTY)	DESCRIPTION
A 	(2)	top shelf supports
B 	(4)	bottom shelf supports
C 	(1)	shelf
D 	(1)	horizontal bar
E 	(6)	long screws
F 	(4)	short screws
G 	(2)	plastic caps
H 	(4)	castors
I 	(1)	hex wrench
J 	(1)	wrench

ASSEMBLY

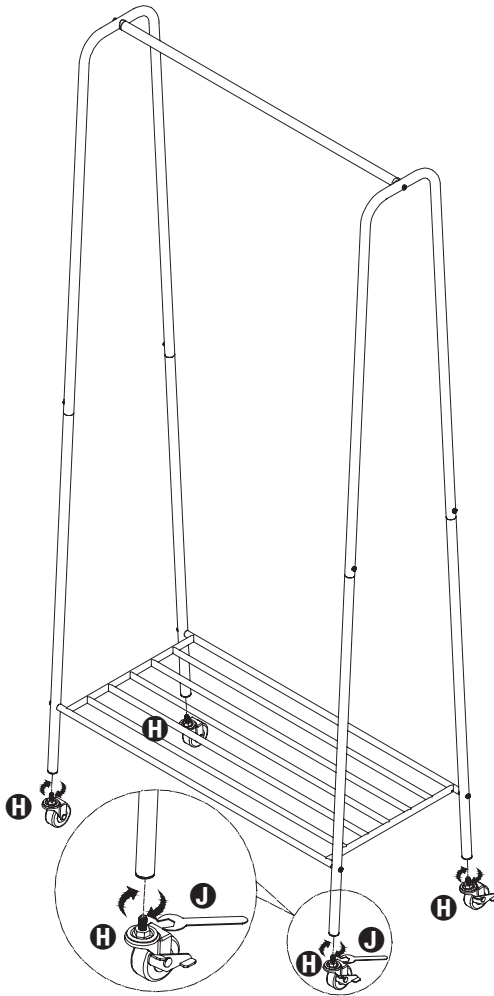
1 (x2)



2



3



YOUR SOURCE FOR
ORGANIZATION,
STORAGE & STYLE

Honey-Can-Do International

5300 St. Charles Road, Berkeley, IL 60163 USA

877.242.2636 | honeycando.com | customerservice@honeycando.com

©2020 Honey-Can-Do International, LLC | All Rights Reserved

Visit [youtube.com/myhoneycando](https://www.youtube.com/myhoneycando) to watch our assembly videos.

200608