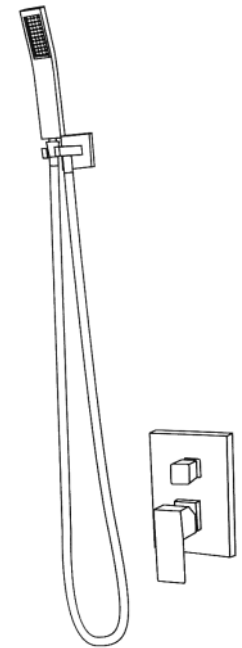
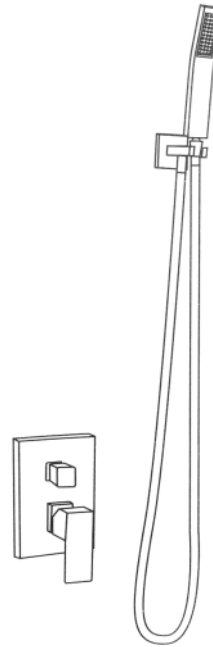
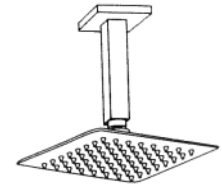
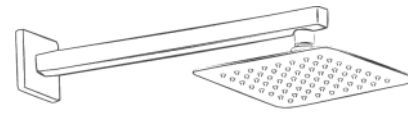


Installation Manual



Catalog

1. About US.....	1
2. UPC Certification.....	2
3. Dual Function Shower System..... (English Version)	4
4. Warranty.....	17
5. Clean and Maintain Product.....	18

Brief Introduction of BWE Company

We have been devoting into hand showers for many years and is renowned and professional bathroom accessories and kitchen accessories manufacturer in a global spectrum; mostly of the production equipment are imported from Germany, Italy and other countries. In order to ensure the product's quality meets European safety standards. our product is produced by the highest quality Brass material without any impurities of anything that is harmful to the health; by using the best manufacturing technology available, we can guarantee reliability for any designs."competition and initiative. quality first, customers supreme and maintenance if prestige" is embather's mission. Our company began to adopt strict quality management, from the producing of the first product. We adopted ISO9001 and ISO14000 quality system enhance the management standard

We advance surface chroming procedures includes: process through layers or purple brass +Nickel+ Chrome to insure the finnal finish will stay new after many years of use

We have a proficient technical team and advanced facility, specializing in sanitary wares production from design Early on the established, we have determined that our goal is not only the our manufacture, but more important characteristic is our Design.

We Design Team believe, the good design is drawn from life, also it can stand the test of time, naturally ,the humanization origin and durable products is what we are moving direction.

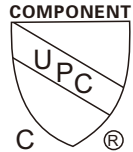
Our Life Guarantee---30-day money back guarantee for any reason, for 30 days after the date of purchase, return your undamaged our proudct and receive a full refund for Any reason

Our products come with Hassle-free Lifetime Warranty backed by our unprecedented 24-hour part replacement policy. Our dedicated shower experts sent an email or a phone call away to assist you



IAPMO RESEARCH AND TESTING, INC.

500 East Philadelphia Street, Ontario, California 91761-2816-USA909-472-4100909-472-4244 www.iapmort.org



CERTIFICATE OF LISTING

IAPMO Research and Testing Inc. is a product certification body which tests and inspects samples taken from the supplier's stock or from the market or a combination of both to verify compliance to the requirements of applicable codes and standards. This activity is coupled with periodic surveillance of the supplier's factory and warehouses as well as the assessment of the supplier's Quality Assurance System. This listing is subject to the conditions set forth in the characteristics below and is not to be construed as any recommendation, assurance or guarantee by IAPMO Research and Testing, Inc. of the product acceptance by Authorities Having Jurisdiction

The most updated information on this Certificate of Listing is available online at pld.iapmo.org

Effective Date: March 2018 -Rev.3/7/2018- Void After: March 2019

Product: Plumbing Fixture Fittings-Components File No. MC-8435

Issued To: Hain Yo Enterprises Co, Ltd
No. 102, Tien Tung Rd., Ho-mei
Gravity, IA 50848

Identification: Each fitting component shall bear permanent legible markings to identify the manufacturer. This marking shall be the trade name, trademark, or other mark known to identify the manufacturer. The product shall also bear all other markings required by the standard. The marking shall be applied so as to be visible after installation. The product or packaging shall also bear the cUPC@certification mark along with the term "COMPONENT" above

Characteristics: plumbing fixture fitting components to be installed in accordance with the manufacturers instructions and the requirements of the latest edition of the Uniform Plumbing Code

Products listed on this certificate have been tested by an IAPMO R&T recognized laboratory. This recognition has been granted based upon the laboratorys compliance to the applicable requirements of ISO/IEC 17025

Products are in compliance with the following standard(s):
ASME A112.18.1-2012/CSA B125.1-12

Tim Colberg
Chairman, Product Certification Committee

Rene Chaney
CEO, The IAPMO Group



This listing period is based upon the last date of the month indicated on the Effective Date and Void After Date shown above. Any change in material, manufacturing process, marking or design without having first obtained the approval of the Product Certification Committee, or any evidence of non-compliance with applicable codes and standards or of inferior workmanship, may be deemed sufficient cause for revocation of this listing. Production of or reference to this form for advertising purposes may be made only by specific written permission of IAPMO Research and Testing, Inc. Any alteration of this certificate could be grounds for revocation of the listing. This document shall be reproduced in its entirety

IAPMO RESEARCH AND TESTING, INC. CERTIFICATE OF LISTING



-Rev.3/7/2018-

Void After: March 2019

Product: Plumbing Fixture Fittings-components

File No. MC-8435

Issued To: Hain Yo Enterprises Co, Ltd

MODELS:

Pressure Balance Valve for Bath/Shower Faucets:

40mm: JH01GJ (HK-40), JL01GJ (HJ-40), JH02BJ (HL-40), JL02BJ, JH02BD, JH04BD, EH12TD Single Handle Pressure Balancing Tub & Shower Set
JL04BD Pressure balancing valve

Diverter for Bath/Shower Faucets:

33mm: KL18GJ
35mm: FL18GJ

Mixer+Diverter Cartridge for Bath/Shower Faucets:

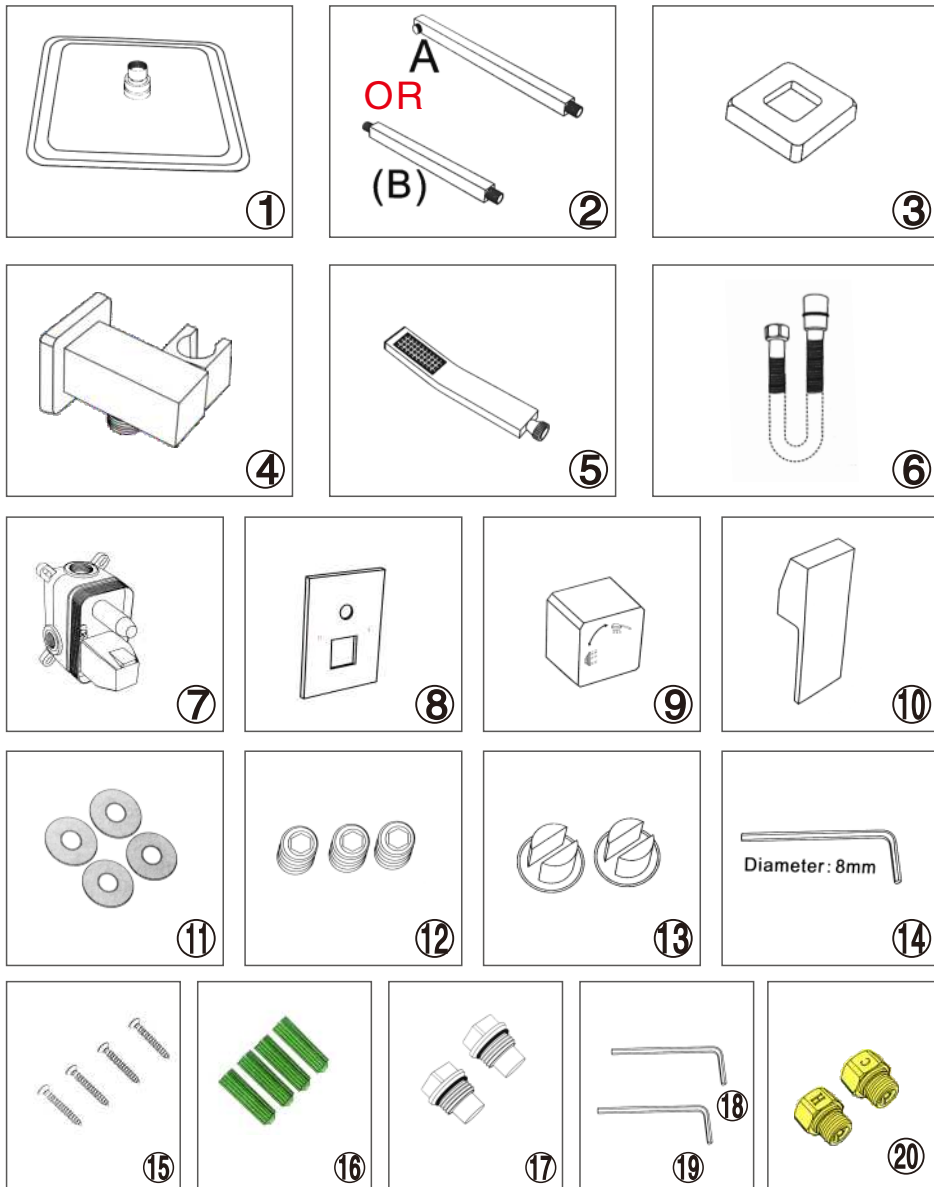
40mm: DH19GJ, DL19GJ

Ceramic Cartridge for Faucets:

25mm: GL02GJ, GH02GJ, GL12TD
35mm: FH02BD, FH02GJ, FL02BD, FL02GJ, FH12TD, FL19GJ, FH16GJ, FH17GJ, FL12TD
40mm: DH02BD, DH02GJ, DL02BD, DH17GJ, DH12TD DL02GJ, DH16GJ



Essential accessories list



WARNING: Choking hazard. Keep all small parts and plastic bags out of the reach of children

1. Before you start, prepare the wall for installation
 (The depth shown here is for reference only; please determine actual depth according to thickness of bathroom tiles.)

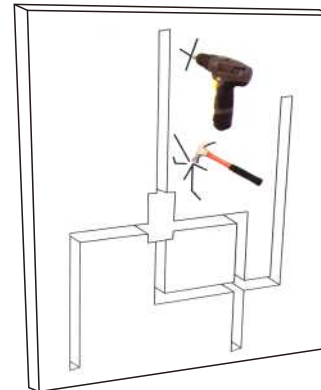


(Concrete wall)

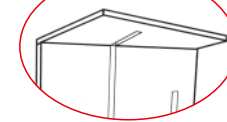


(Wood wall)

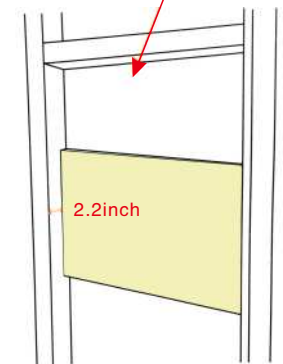
A: Wall Mounted Installation



B: Ceiling Mounted Installation

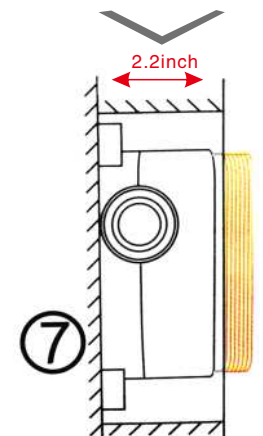
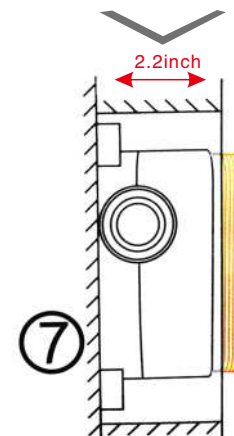


Recommend using copper drop ear pipe elbow (1/2-14 NPT)
 This product does not include this part



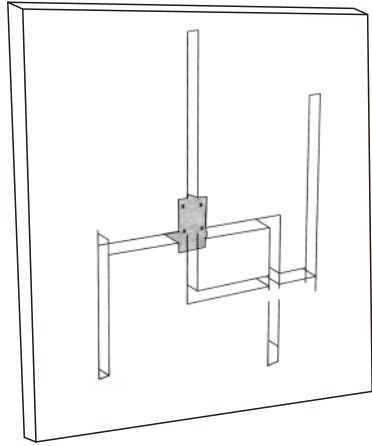
Design water pipe slot

Design water pipe slot



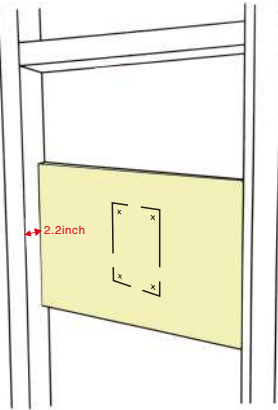
Determine the position of the valve

A: Wall Mounted Installation



Concrete wall

B: Ceiling Mounted Installation



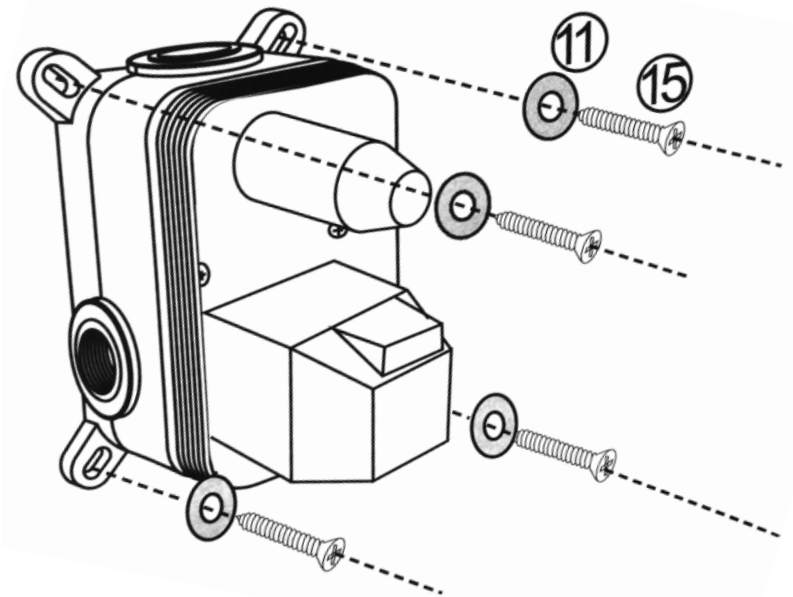
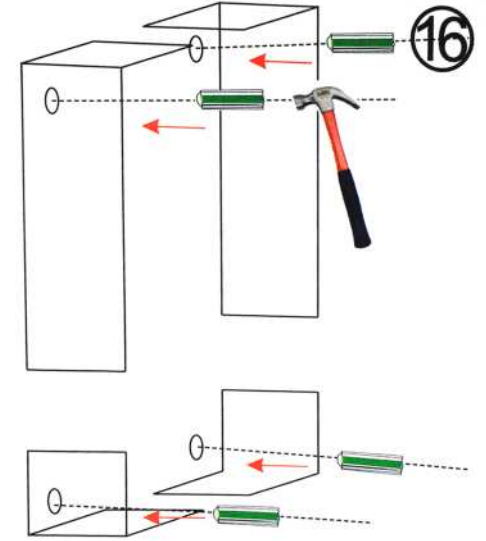
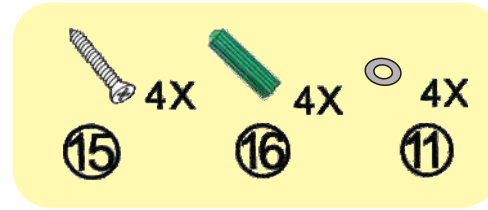
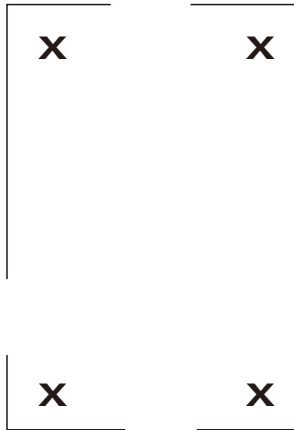
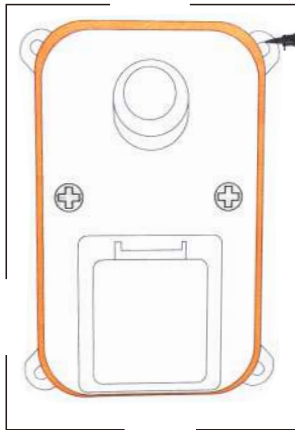
Wood wall



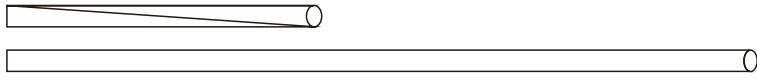
Recommend using copper drop ear pipe elbow (1/2-14 NPT)
This product does not include this part



7



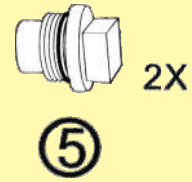
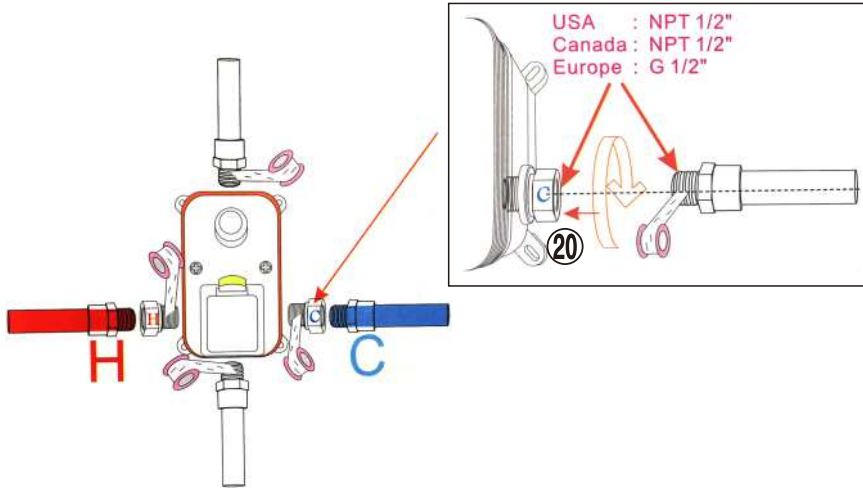
2. Wipe off any dirt and/or impurities from the insides of all pipes and fittings



Wrap enough teflon tape

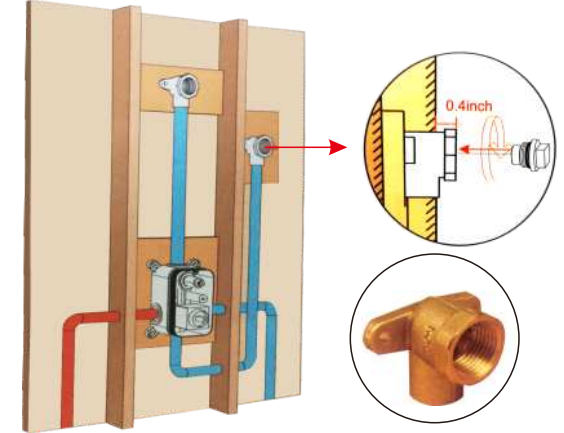
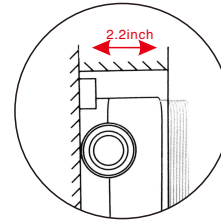


20



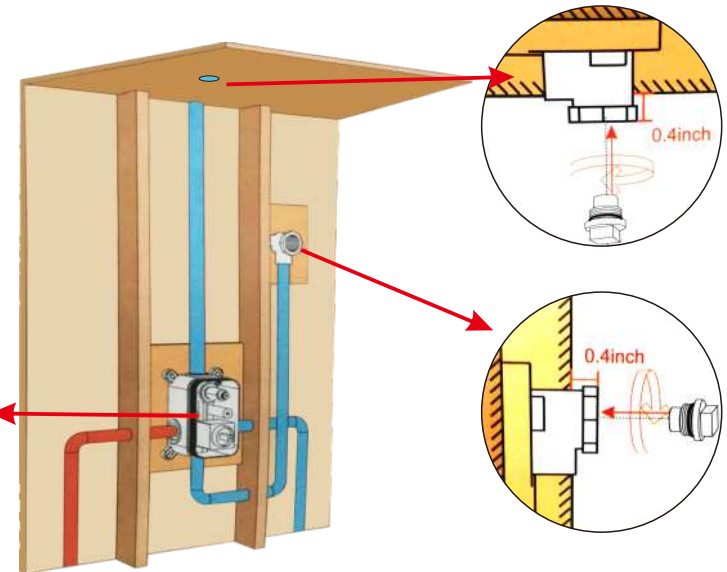
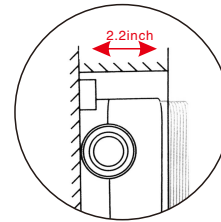
(The depth shown here is for reference only; please determine actual depth according to thickness of bathroom tiles.)

A: Wall Mounted Installation



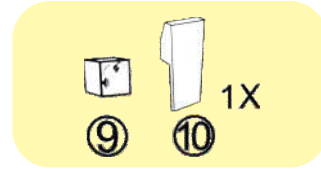
Recommend using copper drop ear pipe elbow (1/2-14 NPT)
This product does not include this part

B: Ceiling Mounted Installation

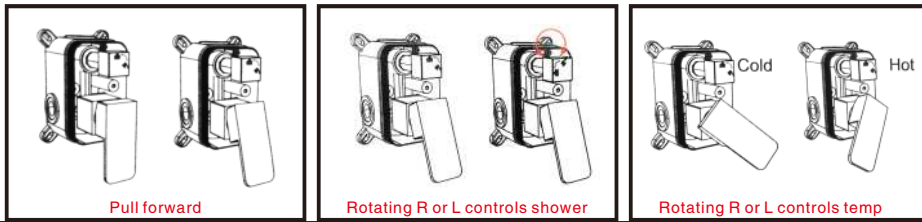
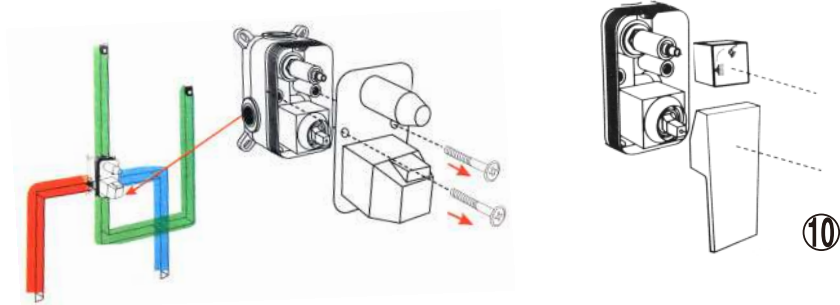


3. Check for leakage and/or blockage on both hot and cold water supplies.

(Shower valve must be connected to both hot AND cold water pipes. As a safety feature, the valve will only work if both pipes are connected properly.)



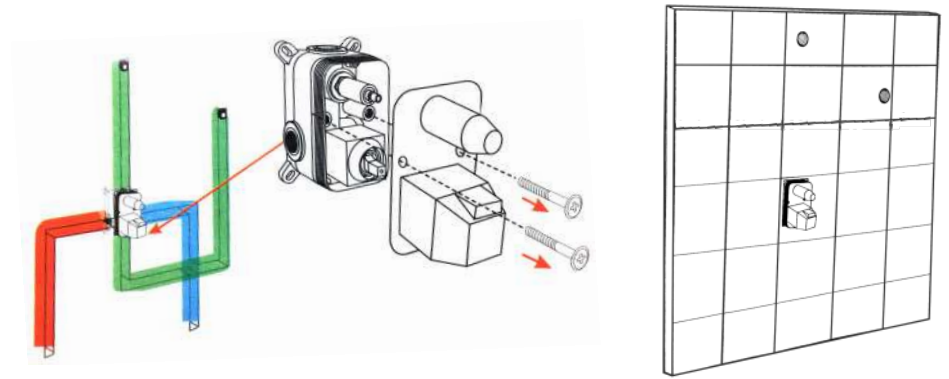
A: Wall Mounted Installation



4. Tiles

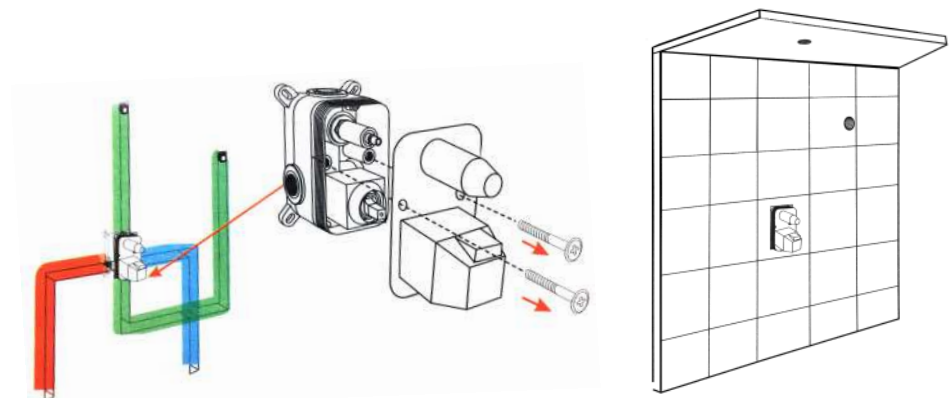
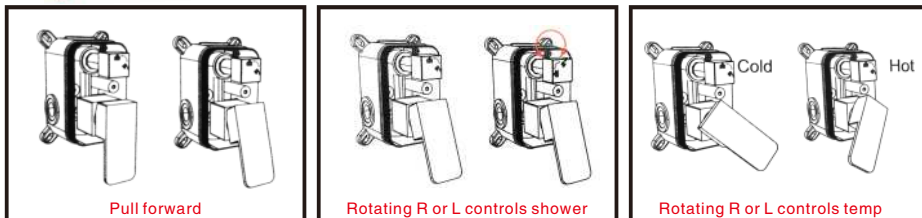
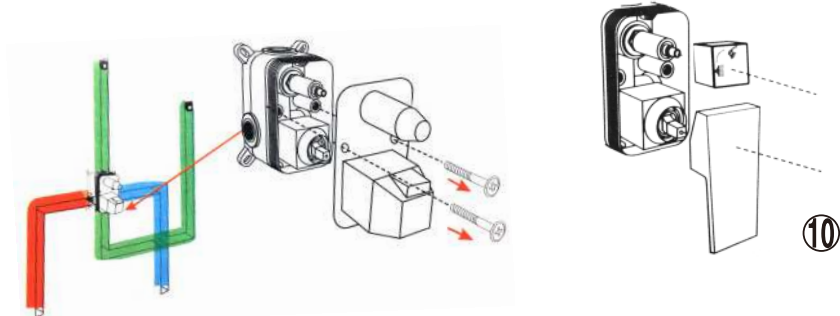
(If the tiles are too thick, there will not be enough space to install plate ⑩ knob ⑨ and handle ⑩)

A: Wall Mounted Installation

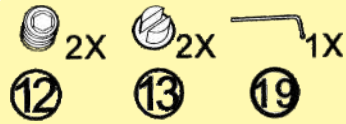
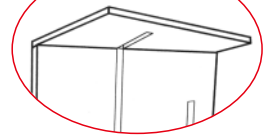


B: Ceiling Mounted Installation

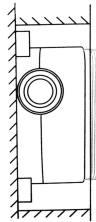
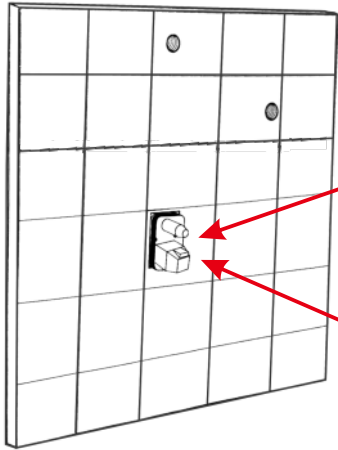
B: Ceiling Mounted Installation



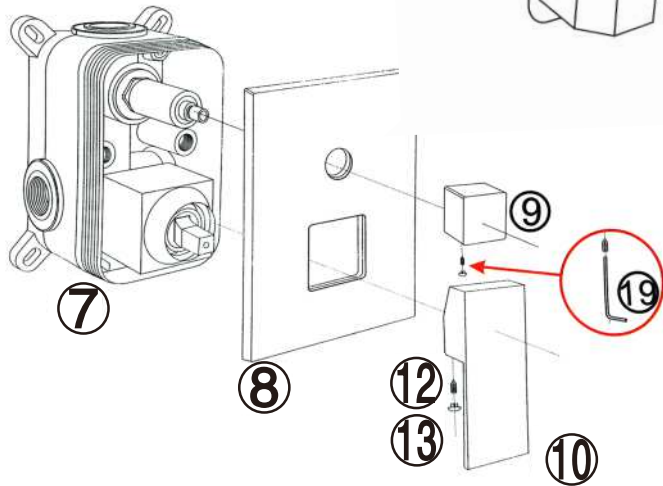
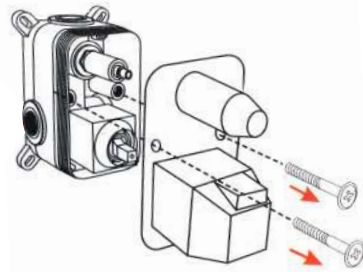
B: Ceiling Mounted Installation



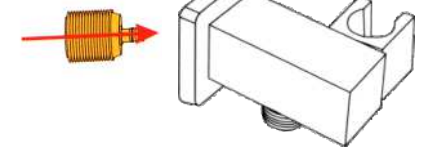
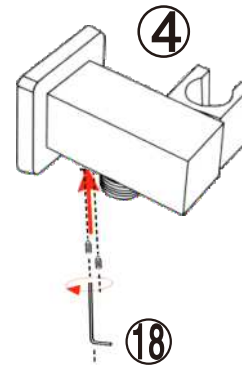
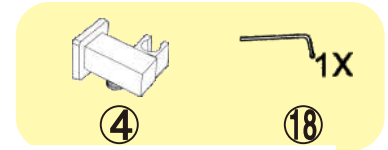
A: Wall Mounted Installation



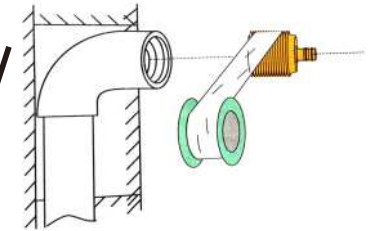
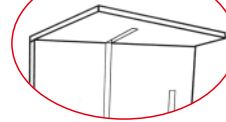
Cut away the part of the embedded box sticking out so that it is level with the wall.



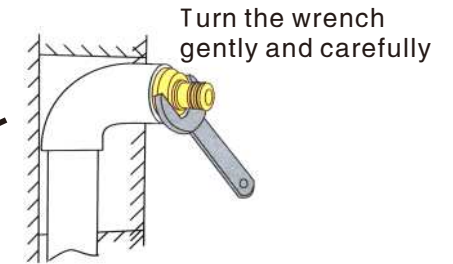
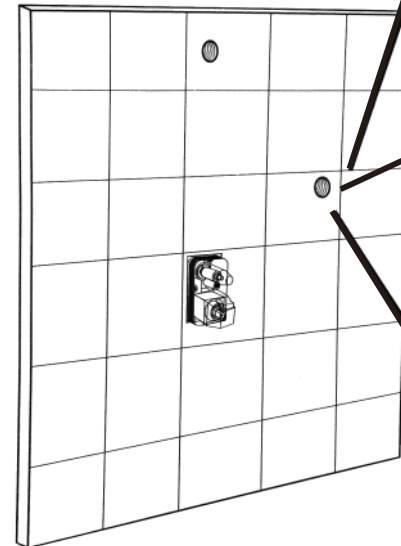
5. Install Shower bracket



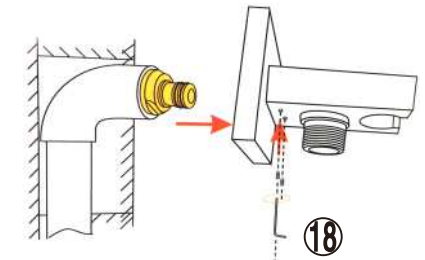
B: Ceiling Mounted Installation



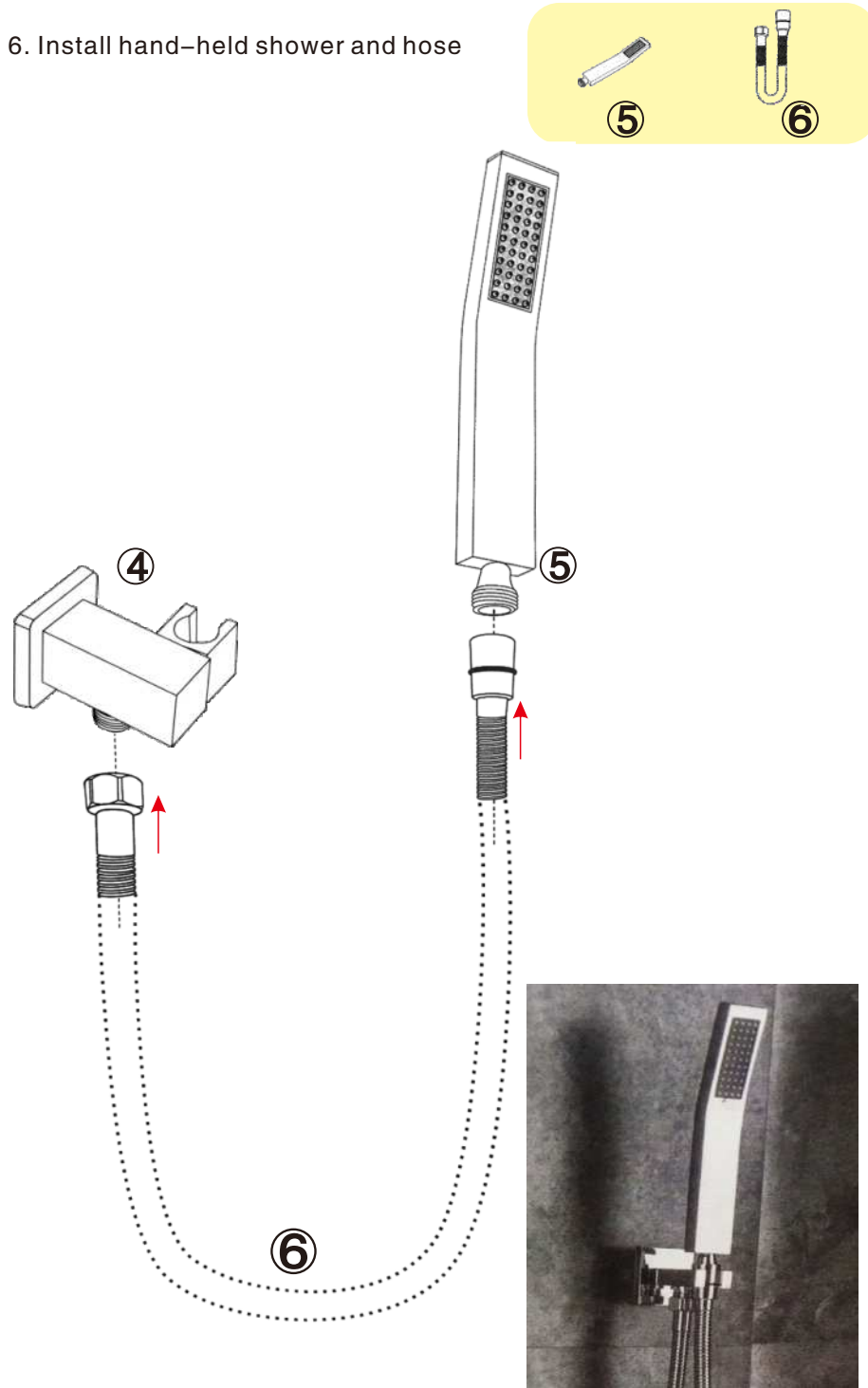
A: Wall Mounted Installation



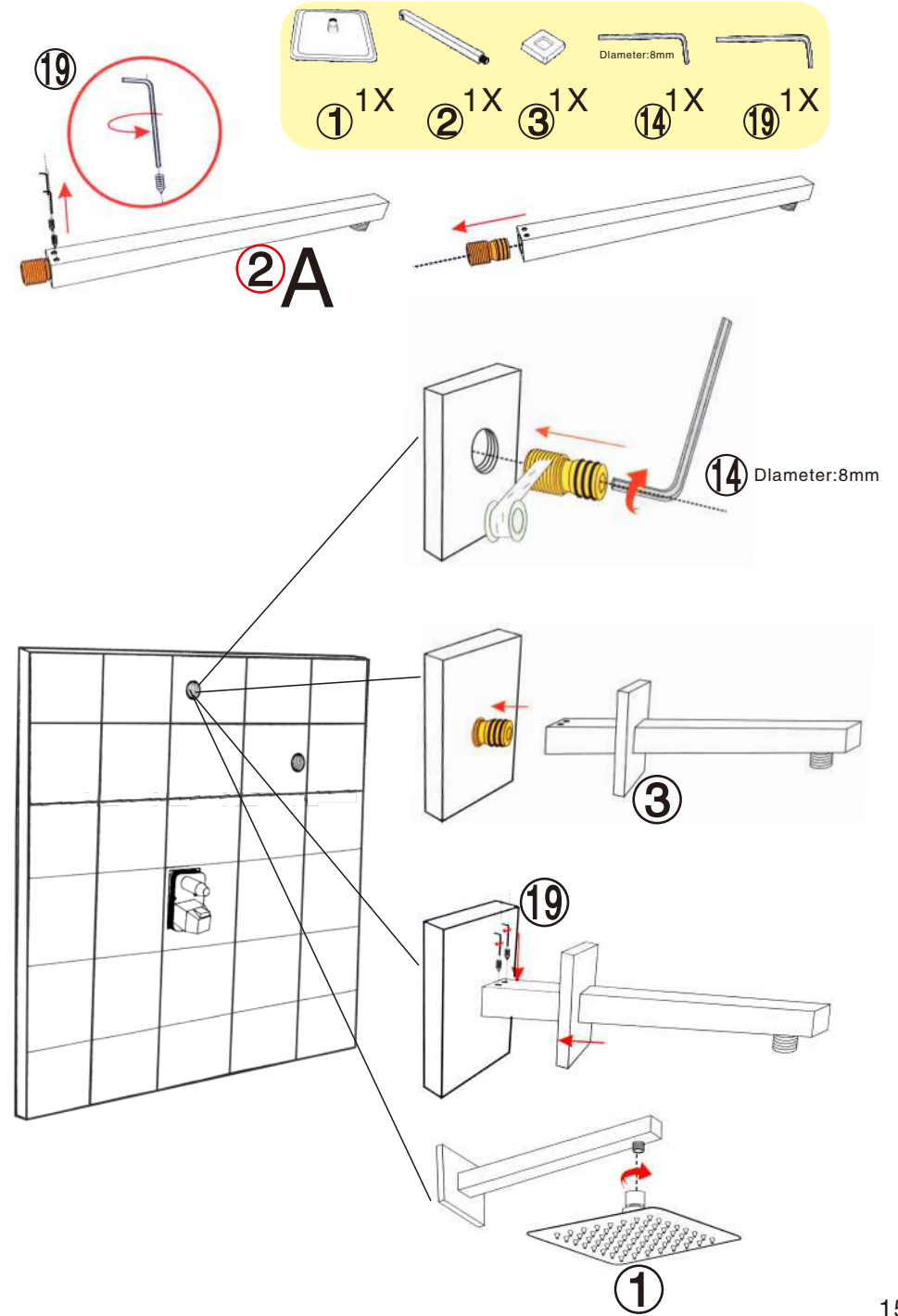
Turn the wrench gently and carefully



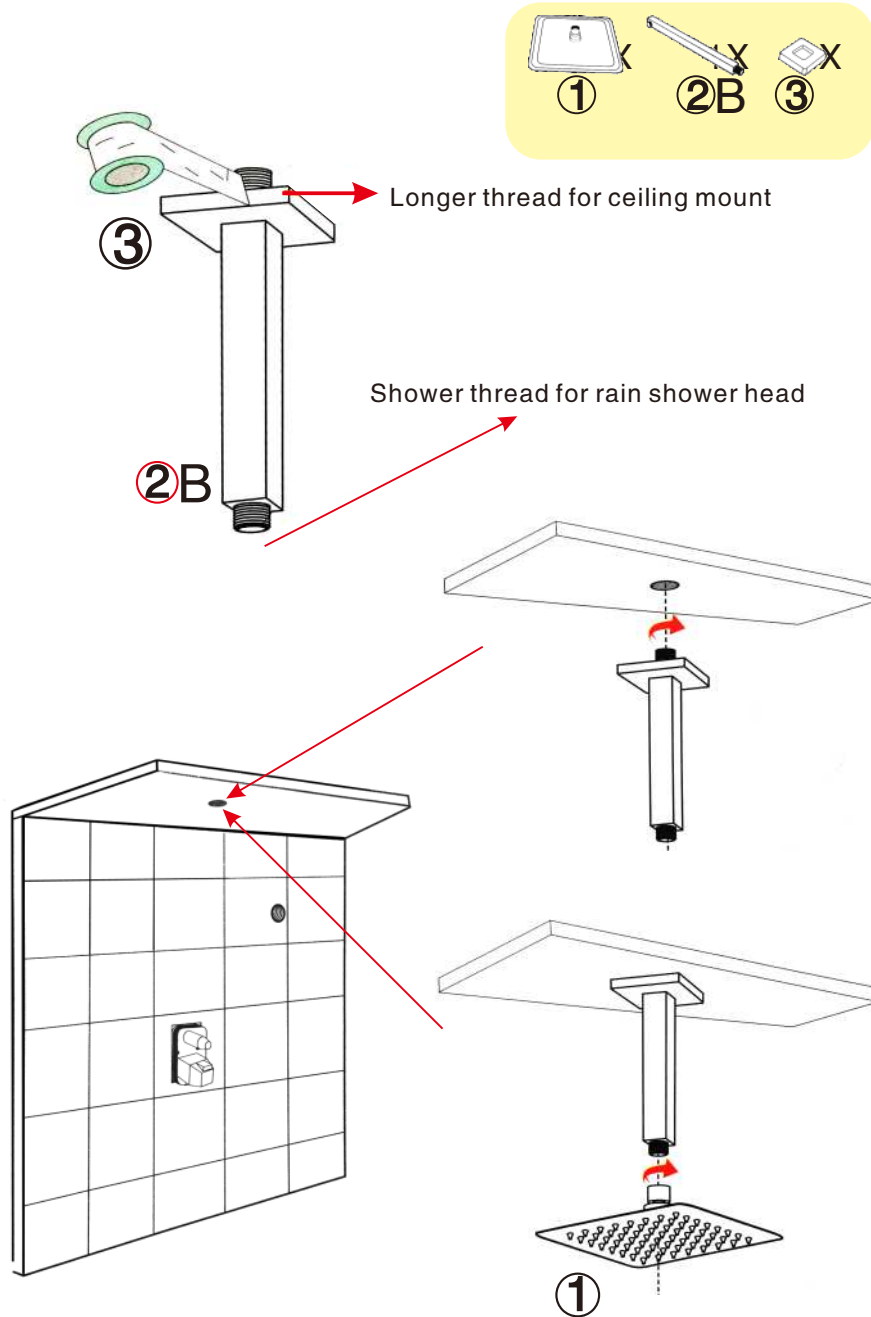
6. Install hand-held shower and hose



7. Install Shower Arm and Rain Shower Head



7B. Install Ceiling Shower Arm and Rain Shower Head



Customer Name	
Retailer/Assembly Fitter	
Purchase Date	
Warranty Duration	5 years as of purchase date

1. If the above contents are not complete, the warranty will be considered void, please confirm the above contents when you purchase
2. The complimentary repairs are limited to instances mentioned on the warranty card only.
3. Within warranty period, if any technical faults occur, customer should present this warranty card along with the invoice to the retailer/ assembly fitter.

Guarantee Repairs Claims

1. Within warranty period, SR SUNRISE SANITARY is responsible for repairing any defective product free of charge.
2. Please contact seller via email with this warranty card and invoice if repairs are needed during the warranty period.
3. SR SUNRISE SANITARY will not be responsible for any claims listed below:
 - 3.1 The damage and/or malfunction caused by improper use an/or repairs; or any unauthorized reconstruction; including any damage caused by abuse(i.e fall, throw...etc.)
 - 3.2 Please engage the services of a professional plumber. SR SUNRISE SANITARY will not be responsible for any damage and/malfunction caused by wrongful installation.
 - 3.3 The damage and/malfunction caused by removing after installation or other factors.
 - 3.4The damage and/malfunction caused by application beyond the scope of usage.
 - 3.5 The damage and/malfunction caused by sand, dirt and other impurities.
 - 3.6 The damage and/malfunction caused by improper/insufficient maintenance: rust on finishing etc.
 - 3.7 The damage and/malfunction caused by fir, earthquakes, flood, lightning and other natural disasters, pollution, harmful gas, salts, abnormal voltage and other factors.
 - 3.8 On occasions when the warrantee card or invoice is not presented.
4. The recommended water temperature of hand shower and rain shower is $\leq 42^{\circ}\text{C}$; water pressure 0.1–0.3 Mpa. The highest temperature should not reach beyond 70°C and water pressure should not exceed the limits of 0.05–0.5 Mpa. Please keep any shower products away from the heating devices to avoid potential risks.
5. This limited warranty applies only to the original end–user or business. It expressly excludes labor charges, removal charges, installation, or other incidental or consequential costs. Any inappropriate application will void the warranty.
6. This warranty cannot be replaced if missed, please keep safe.

Clean and maintain product

How to clean shower head nozzles

1. Just rub the nozzles with your finger or a toothbrush to loosen any deposits, and then run hot water for a few minutes
2. Put the showerhead into a pot .Consider using a smaller container that just about fits the showerhead; this way, you will use less vinegar. You can also use a small bucket or plastic bin.

Fill the pot with enough white vinegar to cover the showerhead. The acids in the vinegar will help dissolve the white mineral deposits on the showerhead.

Let the showerhead soak in the vinegar for 30 minutes. The more soiled the showerhead is, the longer you will have to leave it in the vinegar.

Maintain Chrome and Brushed nickel finished product

1. To clean the products all you need is a high quality microfiber cloth.
2. Apply a high quality chrome cleaner to a clean cotton cloth . and wipe over the chrome. Leave as per product instructions, and then rinse with warm water. Gently remove any product residue using a dry chamois or paper towel
3. How to Clean Chrome: Homemade Solutions In addition to professional products, homespun solutions also have their place when breathing new life into dull chrome. Try this shortcut to achieving chrome cleaning nirvana:

Detergent and warm water! Submerge chrome-plated objects including pots and pans in a sink full of warm water. Add a half-cup of a high quality washing up detergent(Persil washing up liquid is good)and rub gently with a soft cotton cloth to avoid scratching the chrome. Use a scented detergent to leave kitchenware smelling fresh, as well as spotless

