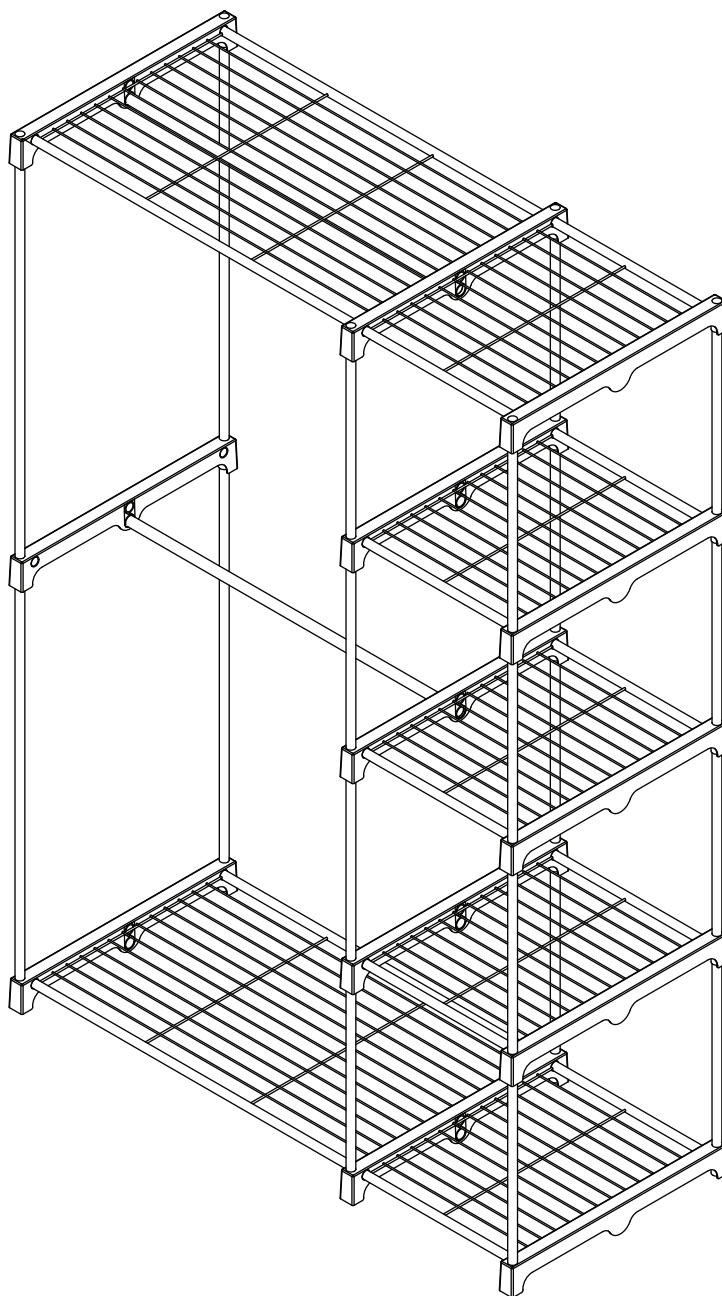


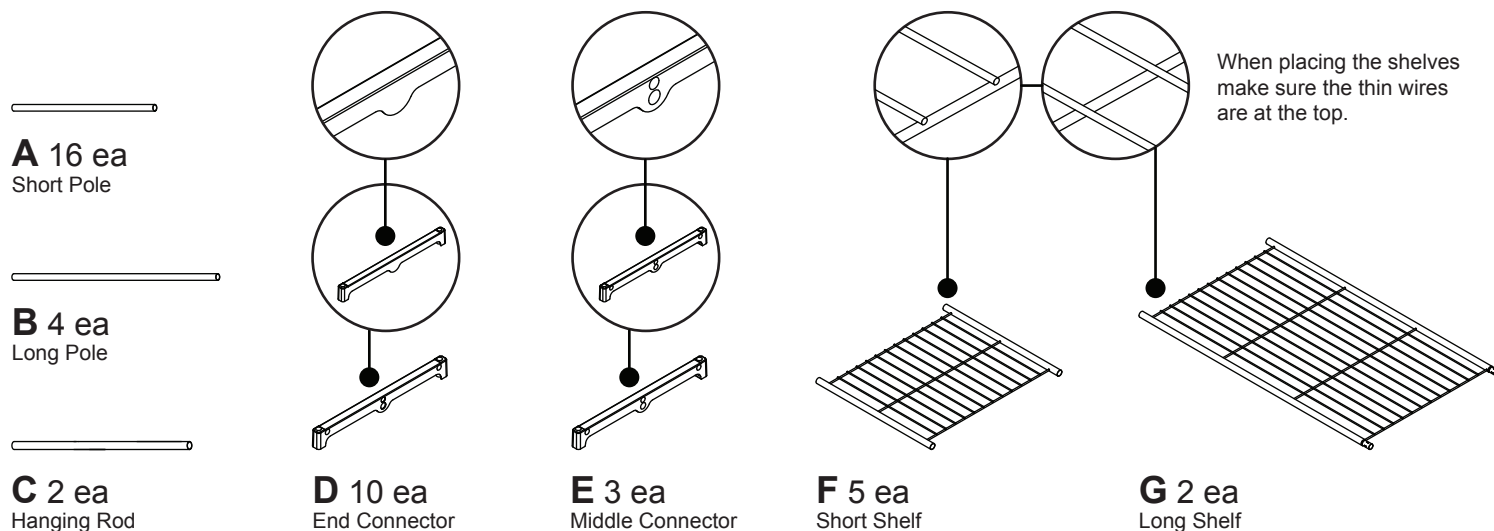
# 6779-3044-VN Double Rod Standing Closet



| Part | Reference |
|------|-----------|
| A    | F11389    |
| B    | F11390    |
| C    | F11391    |
| D    | F11392    |
| E    | F11393    |
| F    | F11394    |
| G    | F11395    |



No tools required.

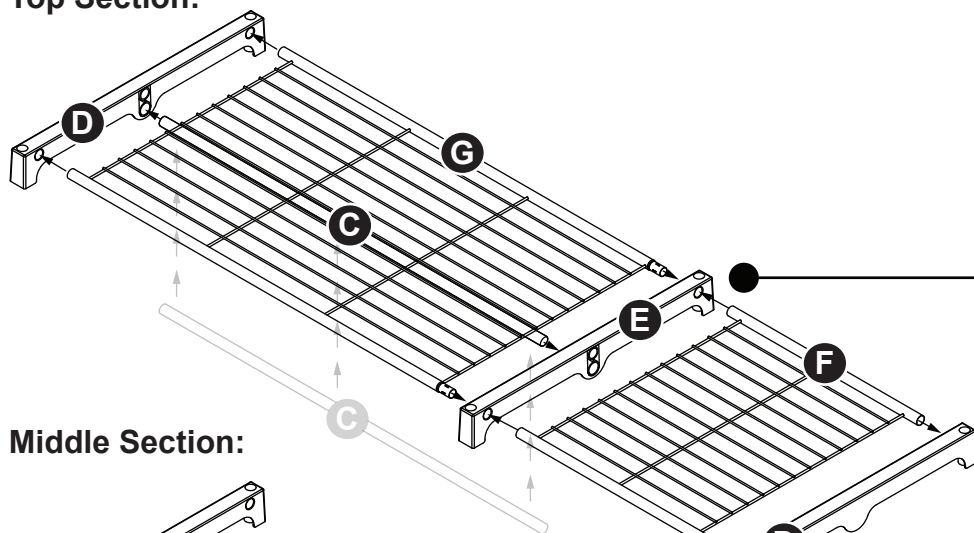


**STEP 1:** Start by assembling the top, bottom and middle sections.

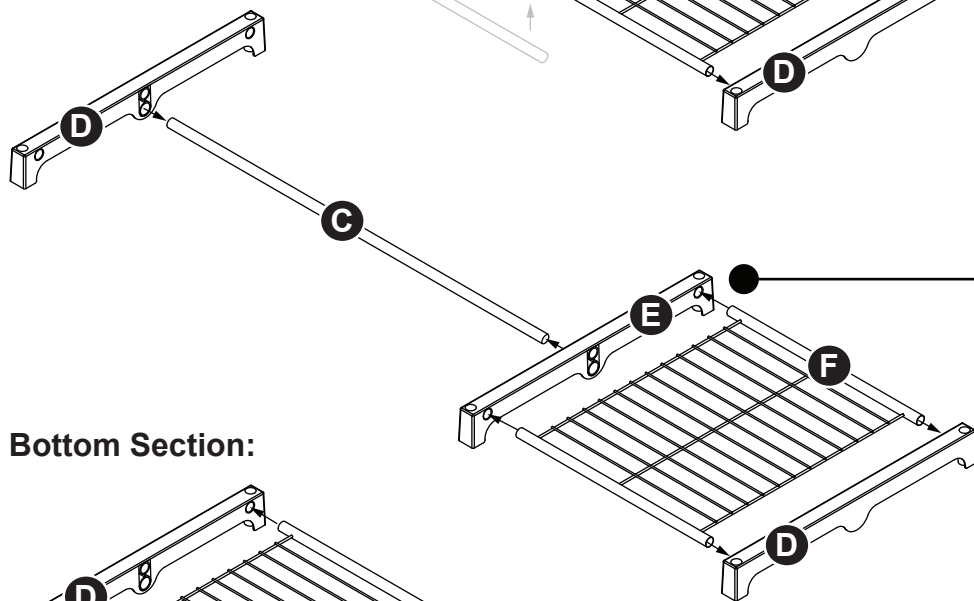
- **Bottom Section:** Insert the long shelf (G) and the short shelf (F) into two end connectors (D) and one middle connector (E) as shown below.
- **Top Section:** Repeat the step above while inserting the hanging rod (C) into end connector (D) and middle connector (E) as shown below.
- **Middle Section:** Insert the hanging rod (C) and the short shelf (F) into the two end connectors (D) and one middle connector (E) as shown below.

**Note:** All metal parts must be inserted firmly and completely into the plastic parts.

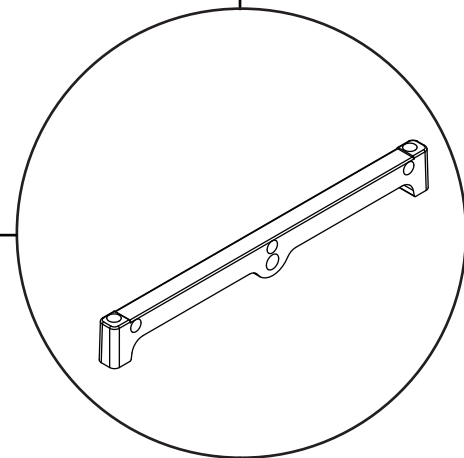
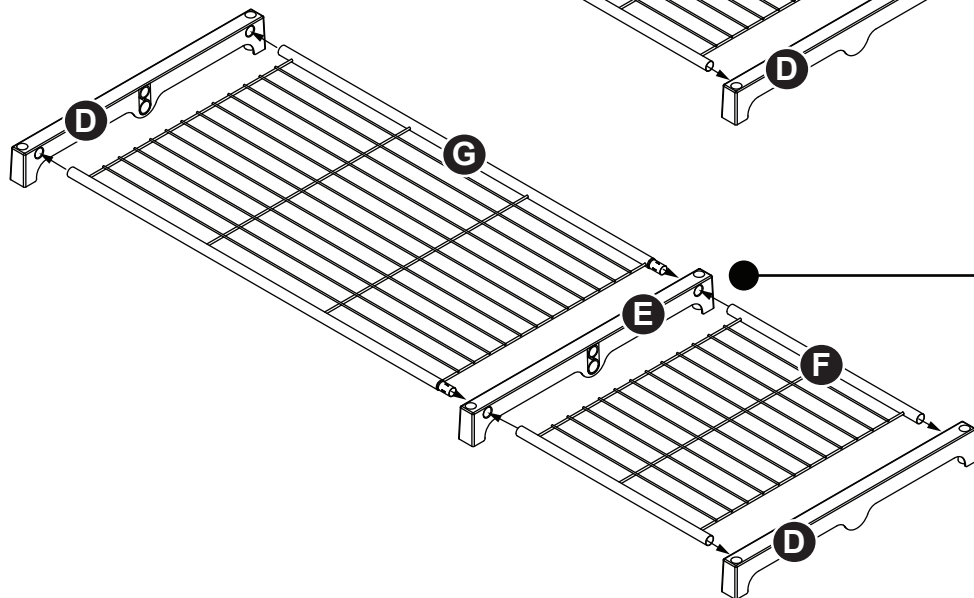
**Top Section:**



**Middle Section:**

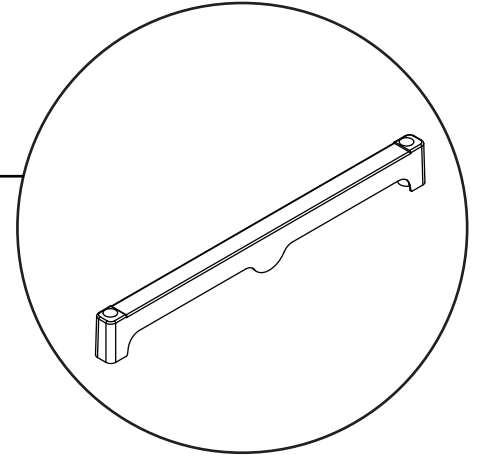
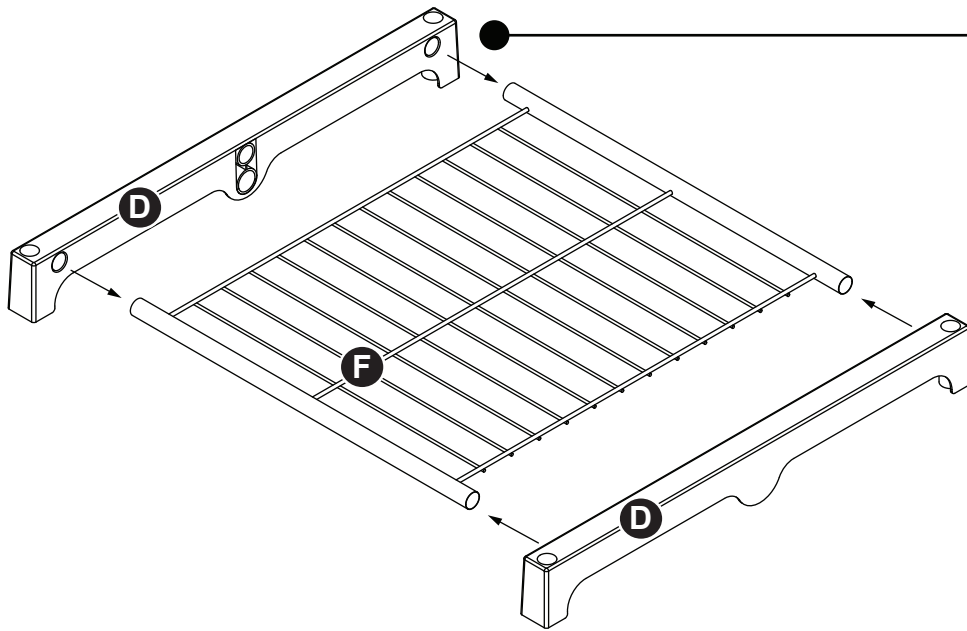


**Bottom Section:**



## STEP 2: Short shelf assembly.

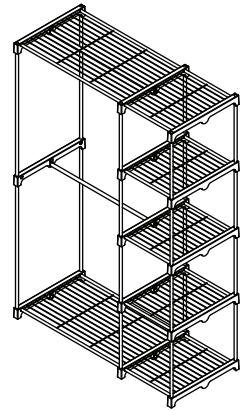
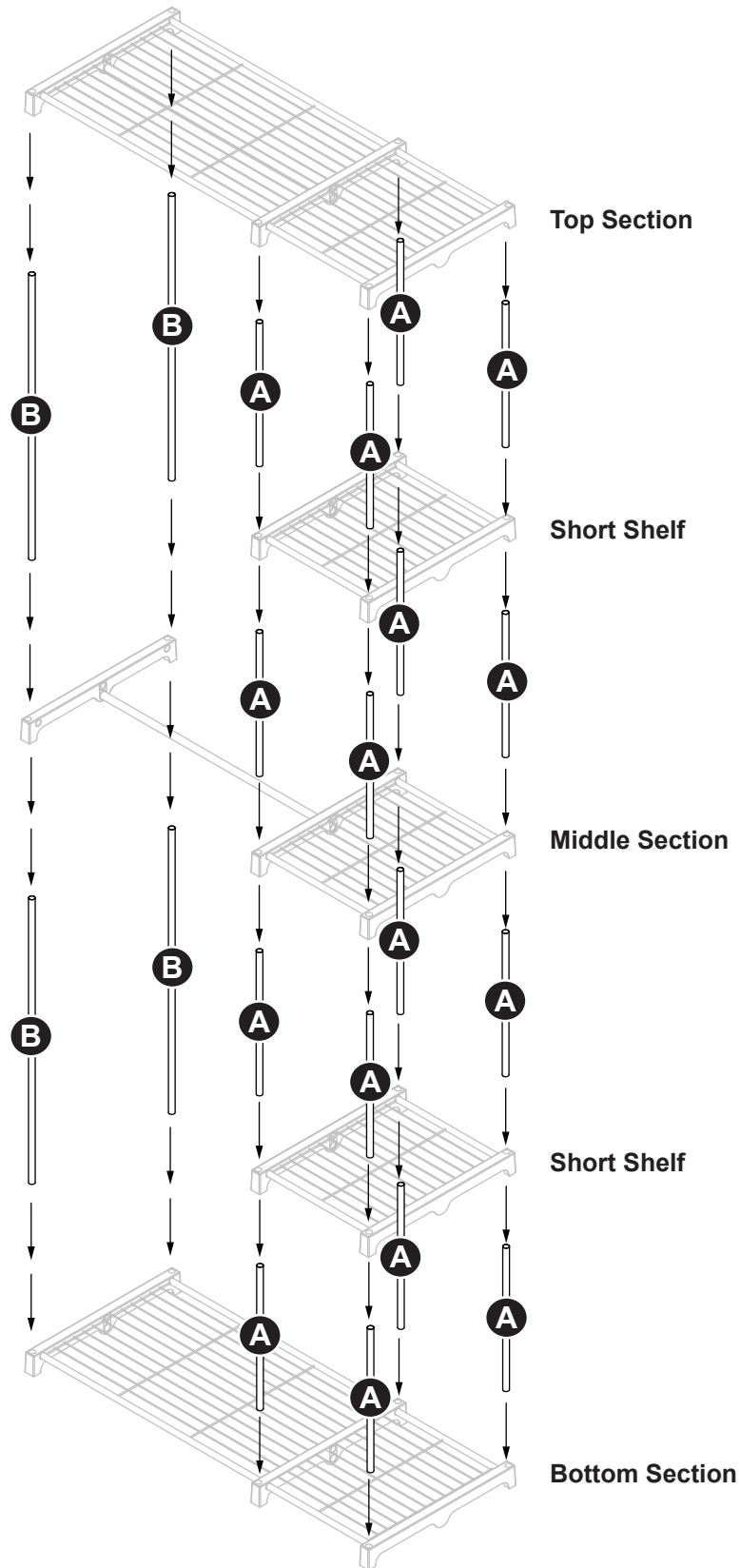
- Insert the short shelf (**F**) into the two end connectors (**D**).
- Repeat for the other short shelf.



## STEP 3:

Start from the assembled bottom section and build up.

- Insert short and long poles (A) and (B) into the connectors as the diagram shows.



8680 Swinnea Road • Suite 103 • Southaven, MS • 38671

**NEED HELP?** For help with assembly, or if you are missing a part, please call Whitmor's Consumer Care Team, 1-888-944-8667 between 8 a.m. and 4:30 p.m. (Central Standard Time) Monday through Friday, or email: [help@whitmor.com](mailto:help@whitmor.com). Visit us online at [www.whitmor.com](http://www.whitmor.com)