



Cetra® 6032 Skirted Bathtub

Letter	Description	Soaking	Pure Air®	Whirlpool
-	Drain Location	LH/RH		
-	Equipment Location	--	Right/Left Side	
-	Cutout Template	--		
-	Drop-In Cutout Dimensions (L x W)	--		
-	Total Weight	778 lbs (353 kg)	791 lbs (359 kg)	822 lbs (373 kg)
-	Floor Loading	58 lb/ft² (283 kg/m²)	59 lb/ft² (288 kg/m²)	62 lb/ft² (303 kg/m²)
-	Operating Gallons (Min./Max.)	55 Gal (208 L)	31/55 Gal (117/208 L)	37/55 Gal (140/208 L)
-	Product Weight	71 lbs (32 kg)	84 lbs (38 kg)	115 lbs (52 kg)
-	Soaking Depth	15.5" (394 mm)		
L	Outer Length	60" (1524 mm)		
W	Outer Width	32" (813 mm)		
H	Overall Height	20.5" (521 mm)		
A	Overflow Height	16.75" (425 mm)		
B	Long Edge to Drain Center	9.4" (239 mm)		
C	Short Edge to Drain Center	16" (406 mm)		
D	Drain Shoe Length	7" (178 mm)		
E	Flange Height	1" (25 mm)		
F	Deck Width*	1.5" (38 mm)		
G	Service Access Dimensions	No Service Access	Removable Access Panel**	
I	Floor Cutout for Drain	12" x 4" (305 mm x 102 mm)		
J	Interior Dimensions Bottom of Bath (L x W)	42.5" x 17.2" (1080 mm x 437 mm)		
K	Interior Dimensions Top of Bath (L x W)	54.2" x 27" (1377 mm x 686 mm)		
L2	Interior Depth - Drain End	19.5" (495 mm)		
M	Backrest Angle	34°		
N	Footprint (L x W)	--		

NOTE

The overall dimensions are nominal with a tolerance of +0 and -0.25" (6 mm).

Electrical Specification (requires a separate, dedicated GFCI protected circuit):

Model with Components		GFCI (60Hz)
Soaking	Soaking Only	N/A
	Blower	120V 15A
Whirlpool	Motor/Pump	120V 15A
	Heater (Optional)	120V 15A

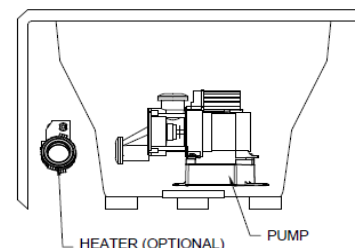
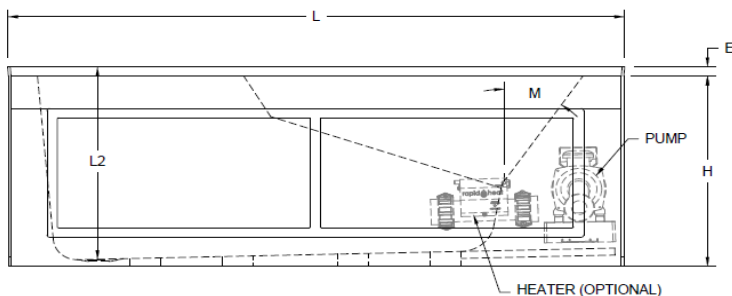
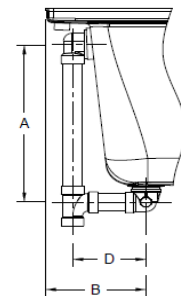
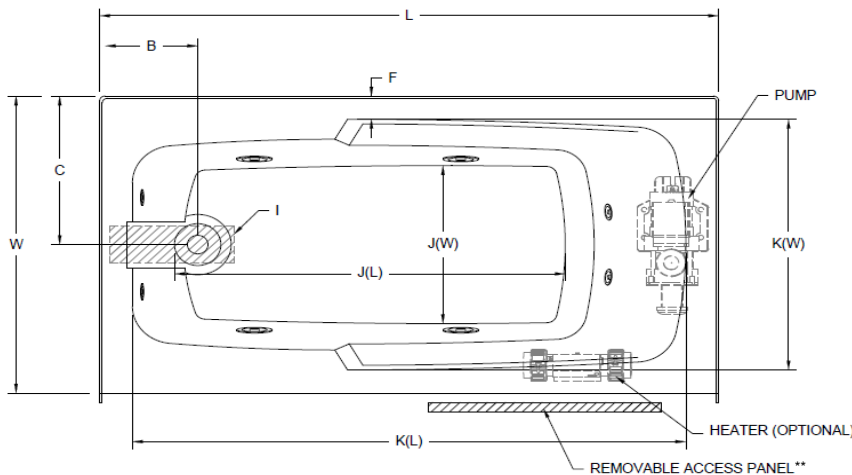
KEY DIMENSIONS

*Deck width reflects only area indicated on detail.

**Removable access panel standard on Whirlpool and Pure Air® models. Optional 2 access panels available for all models.

***Left hand Whirlpool model shown. Right hand model is exact opposite.

NOTE: Drawing not to scale



©2022 Jacuzzi Luxury Bath • For additional information, call Customer Service 800-288-4002 • www.jacuzzi.com/baths
 Refer to installation instructions included with fixture before beginning installation. Please confirm product availability and specifications before commencing with any installation work.

PRODUCT SPECIFICATIONS AND AVAILABILITY ARE SUBJECT TO CHANGE WITHOUT NOTICE