

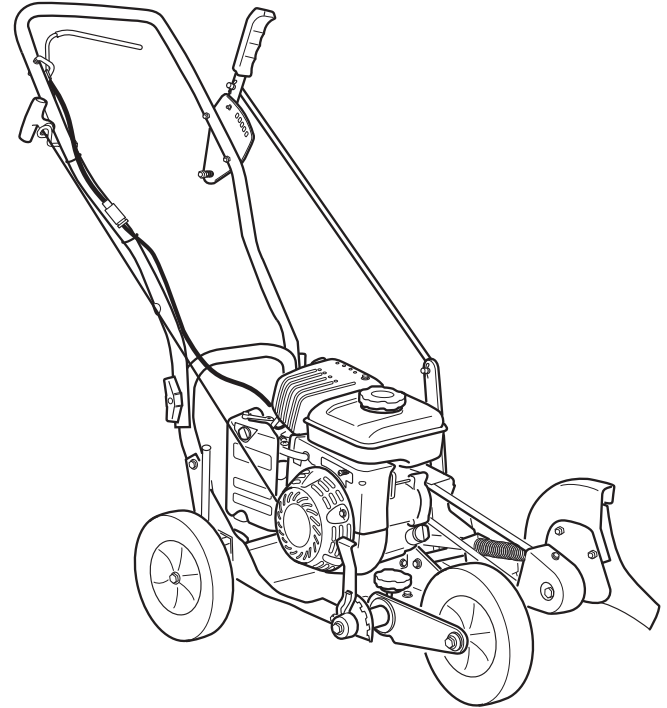


**Operator's Manual  
LAWN EDGER  
3.1 FT-LBS, 4 CYCLE**

**Model No. SWLE0799.1**

**Look inside for:**

	Page
Safety Definitions . . . . .	2-3
Important Safety Information . . . . .	3-5
Product Specifications . . . . .	6
Parts & Features . . . . .	6
Assembly . . . . .	7-8
Engine Preparation . . . . .	8-9
Operation . . . . .	10-12
Maintenance . . . . .	13-17
Technical Service . . . . .	17
Troubleshooting . . . . .	18
Warranty . . . . .	19



**Record the following for future reference:**

**Mfg. Date Code:** \_\_\_\_\_

**Date of Purchase:** \_\_\_\_\_ **Attach a copy of your sales receipt.**

**Consumer Toll Free Number: 1-800-737-2112**

**Refer to the website for electronic manual and parts book.**

**[www.southlandpowerequipment.com](http://www.southlandpowerequipment.com)**

**IMPORTANT:**

Thank you for purchasing this Southland® Edger.

This manual provides complete instructions for safely operating and maintaining your Edger. Read and save these instructions. Refer to this manual each time before using your Edger.

**WARNING: CONTAINS LEAD.** May be harmful if eaten or chewed. May generate dust containing lead. Wash hands after use. Keep out of reach of children.

**⚠ WARNING:** This product can expose you to chemicals including lead, which is known to the State of California to cause cancer and birth defects or other reproductive harm. For more information go to [www.P65Warnings.ca.gov](http://www.P65Warnings.ca.gov).



**If you have a question or problem...  
CALL TOLL FREE: 1-800-737-2112**




**KEEP THIS MANUAL FOR FUTURE REFERENCE**

# Safety Definitions

• Save these instructions











## Safety Alert Symbols

The following symbols are used on the product and in this manual to alert the operator of potential safety hazards. Read them carefully, and understand their meaning.





 <b>DANGER</b>	Indicates an imminently hazardous situation which, if not avoided, will result in death or serious injury.
 <b>WARNING</b>	Indicates a potentially hazardous situation which, if not avoided, could result in death or serious injury.
 <b>CAUTION</b>	Indicates a potentially hazardous situation which, if not avoided, may result in minor/moderate injury.
<b>NOTICE</b>	Indicates a practice not related to personal injury which, if not avoided, may result in property damage.

The following symbols may be found on your tiller. Carefully read and understand their meaning.

## Safety Warning Symbols

	Look for this symbol to point out important safety precautions. It means: <b>Attention! Become Alert! Your Safety Is Involved.</b>
	Read operator's manual before operating this machine. Failure to follow directions could result in serious injury.
	Thrown objects. Remove all rocks, stones, and foreign objects which could be thrown by machine.
	Do not use if children or bystanders are present.
	Rotating tines can cause serious injury. Keep hands, feet, and clothing away.
	Wear eye protection complying with ANSI Z87.1 and hearing protection.
	Disconnect spark plug wire when not in use or before servicing, cleaning, or performing maintenance on the unit.
	Engine exhaust contains carbon monoxide, an odorless and deadly gas. NEVER run unit indoors or in a poorly ventilated area.
	DO NOT touch hot muffler or cylinder. These parts are extremely hot from operation and may remain hot for a short time after operation.
	To reduce risk of fire, clean spilled gas and oil and keep unit free from debris. Gasoline is extremely flammable. Allow machine to cool before refueling.




## Control and Operating Symbols

	<b>Oil Fill Location:</b> Do Not Overfill
	<b>Gasoline Fill Location</b>
	<b>Choke/Cold Start</b>
	<b>Run/Warm Start</b>

# Safety Definitions (Continued)

• Save these instructions

## Control and Operating Symbols (Continued)

	Always check that the ground wires are connected before running the unit
	<b>Depth Control Lever:</b> Move lever forward to increase cutting depth  Start Position
	<b>Start Lever:</b> Release lever to stop engine. Engage lever to start/run engine

# Important Safety Information

• Save all instructions

## Responsibility of Operator

1. Carefully read and follow these safety instructions. Failure to do so can result in serious injury.
2. Know your product. Read and understand this manual before use. Compare the illustrations to unit. Learn location and function of all controls. Thoroughly understanding the unit before use will result in the best performance and safety.
3. Follow all instructions when assembling the unit. If the unit was purchased in assembled condition, the operator must check the unit carefully to make sure it was assembled according the instructions in the manual before use.
4. Regularly inspect the edger. Make sure parts are not bent, damaged, or loose.
5. Use this equipment for its intended purpose only.
6. Operate the unit only with guards, shields, and other safety items in place and working correctly.
7. Service the unit only with authorized or approved replacement parts.
8. Complete all unit maintenance and adjustments according to the instruction in this manual.

### WARNING

Engine Exhaust, some of its constituents, and certain vehicle components contain or emit chemicals known to the State of California to cause cancer and birth defects or other reproductive harm.

To prevent accidental starting when setting up, transporting, adjusting or making repairs, always disconnect spark plug wire and put wire where it cannot contact the spark plug.

## Preparation Safety

### WARNING

- Read, understand, and follow all instructions on the machine and in this manual. Be thoroughly familiar with the controls and the proper use of the edger before starting. Know how to stop the engine quickly.
- Familiarize yourself with all the safety and operating decals on this equipment.
- Thoroughly inspect the area where the edger is to be used and remove all foreign objects. Your equipment can propel small objects at high speed causing personal injury or property damage. Stay away from breakable objects, such as house windows, auto glass, greenhouses, etc.
- Check that all nuts and bolts are tight and equipment is in good condition.
- Always check that the ground wire is connected before starting engine.

# Important Safety Information *(Continued)*

## • Save all instructions

### Operation Safety

- Never allow children or young teenagers to operate the edger.

### **⚠ WARNING**

- Keep area of operation clear of all bystanders, particularly small children and pets.
- Only allow responsible individuals, who are familiar with the instructions, to operate the edger.
- Do not operate the edger while under the influence of alcohol, drugs, or other medication which can cause drowsiness or affect your ability to operate this machine safely.
- Do not use this machine if you are mentally or physically unable to operate the machine safely.
- Always wear ANSI compliant safety goggles or safety glasses with side shields when operating edger to protect your eyes from foreign objects, which can be thrown from the unit.
- Wear appropriate clothing such as a long sleeved shirt or jacket. Also wear long trousers or slacks. Do NOT wear shorts. Do NOT wear loose clothing, which could get caught in this equipment.
- Always wear work gloves and sturdy footwear such as leather work shoes or short boots. These will protect ankles and shins from small sticks, splinters, and other flying debris, and improve traction.
- It is advisable to wear protective headgear to protect against being struck by small flying particles, or being struck by low hanging branches, twigs, or other objects, which may be unnoticed by the operator.

### **⚠ WARNING**

- Do not put hands or feet near or under rotating parts.
- Exercise extreme caution when operating on or crossing gravel drives, walks, or roads. Stay alert for hidden hazards or traffic.
- Exercise caution to avoid slipping or falling. Always be sure of your footing; keep a firm hold on the handle and walk; never run. Never operate the edger at high transport speeds on slippery surfaces.
- Look behind and use care when backing.
- Never operate the edger without good visibility or light.

### **⚠ DANGER**

- Do not run the engine indoors or inside a closed area. The exhaust fumes are dangerous, containing CARBON MONOXIDE, an ODORLESS AND DEADLY GAS.
- Never leave the edger unattended when the engine is running. Stop the engine and make sure all moving parts have stopped. Remove the wire from the spark plug.
- Do not overload the edger capacity by attempting to till too deep at too fast a rate.
- If the edger should start to vibrate abnormally, stop the engine, disconnect the spark plug wire and prevent it from touching the spark plug. Check immediately for the cause. Vibration is generally a warning of trouble.
- Watch for holes, ruts, bumps, or other rough ground. Tall grass can hide obstacles.

### Fuel Safety

### **⚠ WARNING**

- Gasoline is extremely flammable, and gasoline vapors can explode if ignited. Handle with care.
- Use an approved container.
- Check fuel supply before each use, allowing space for expansion as the heat of the engine and/or sun can cause fuel to expand.
- Fill fuel tank outdoors with extreme care. Never fill fuel tank indoors.
- Never remove gas cap or add fuel with the engine running. Allow engine to cool before refueling.
- Do not smoke while refueling.
- After refueling, replace fuel tank cap securely and wipe up spilled fuel.
- Never store fuel or edger with fuel in the tank inside a building where fumes may reach an open flame.

# Important Safety Information *(Continued)*

## • Save all instructions

### **Storage Safety**

- Always refer to the operator's manual instructions for important details if the edger is to be stored for an extended period.
- Never store the edger with fuel in the fuel tank inside a building where ignition sources are present such as water heaters, space heaters, clothes dryers, etc.
- To reduce fire hazard, keep edger free of grass, leaves, or other debris build-up.
- Allow the engine to cool before storing in any enclosure.

### **Repair, Maintenance, and Adjustment Safety**

- After striking a foreign object, stop the engine. Remove the wire from the spark plug and keep the wire away from the plug to prevent accidental starting. Thoroughly inspect the edger for any damage. If damaged, have the equipment repaired by a trained technician before restarting and operating.

### **⚠ WARNING**

- Stop the engine before cleaning, repairing, or inspecting the unit. Make sure all moving parts have stopped. Let the engine cool, disconnect the spark plug wire and move it away from the spark plug.
- Never attempt to make any adjustments while the engine is running except when specifically recommended by the manufacturer.
- Keep the edger in safe working condition. Check all fasteners at frequent intervals for proper tightness.
- When servicing or repairing the edger, do not tip the machine over or up unless specifically instructed to do so in this Manual. Service and repair procedures can be done with the edger in an upright position. Some procedures will be easier if the machine is lifted on a raised platform or working surface.
- Use only original equipment or authorized replacement parts.
- Never tamper with safety devices. Check their proper operation regularly.
- Do not change the engine governor setting or over-speed engine.
- Clean and replace safety and instruction decals as necessary.
- To guard against engine over-heating, always have engine debris filter mounted and clean.

### **Children Safety**

### **⚠ WARNING**

- Tragic accidents can occur if the operator is not alert to the presence of children. Children are often attracted to the edger and the edging activity.
- Keep children out of the edging area and under the watchful care of a responsible adult.
- Never assume that children will remain where you last saw them.
- Be alert and turn edger off if children enter the area.
- Before and while moving backwards, look behind and down for small children.
- Never allow children to operate the edger.
- Use extra care when operating near blind corners, shrubs, trees, or other objects that may obstruct vision.

# Edger Specifications

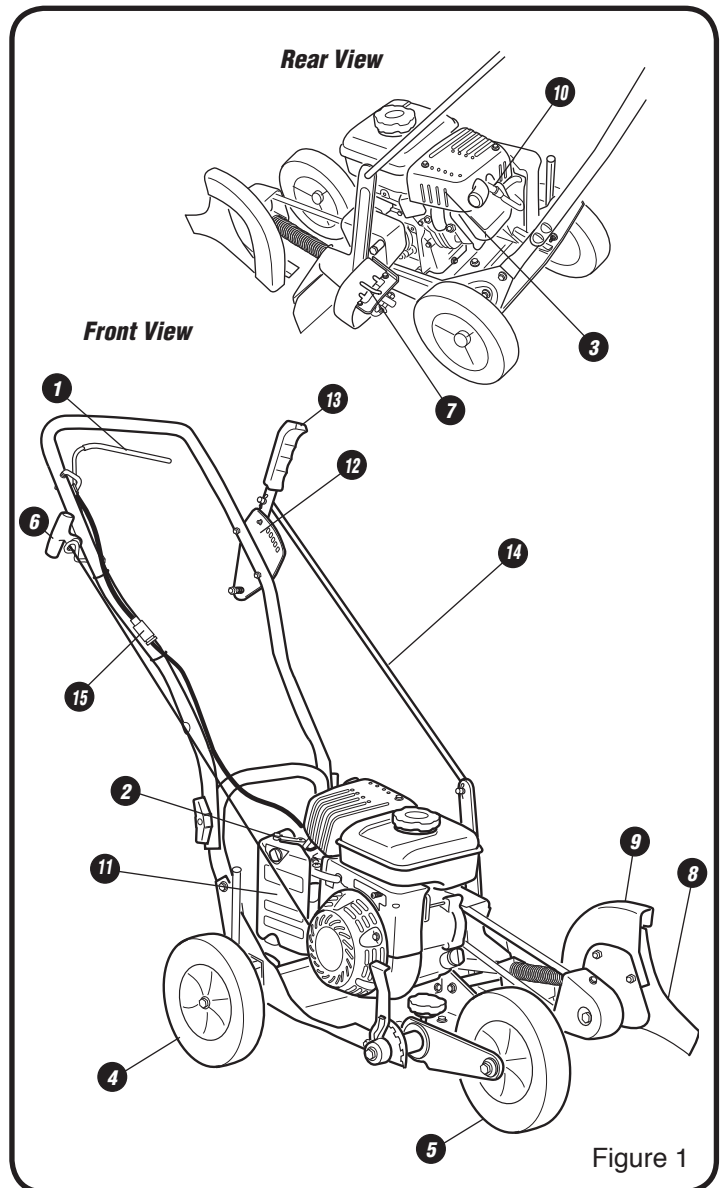
• Save all instructions

Unit Weight . . . . . 60 lb. (27kg)  
Cutting Depths . . . . . 0-2.5 in. (0-63 mm)  
Blade Diameter . . . . . 9 in. (228 mm), 3 point  
Gasoline Type . . . . . Regular Unleaded / 87 Octane (min.)  
Gasoline Capacity . . . . . 1.7 qt. (1.6L)  
Oil Type (API SG-SL) . . . . . 10W-30 is recommended  
for all service temperatures.  
See page 7 for additional information.  
Oil Capacity . . . . . 12 oz (355 ml)

Spark Plug Model . . . . . Torch E7RTC  
Spark Plug Gap . . . . . 0.024-0.028 in. (0.6-0.7 mm)  
Engine Type . . . . . 4 Stroke OHV  
Displacement . . . . . 79cc  
RPM . . . . . 3600 RPM  
Torque Rating . . . . . 3.1 ft-lbs torque per SAE J1940  
Bore Diam. x Stroke . . . . . 2.03X1.50 in. (51.6X38 mm)  
Intake Valve Clearance . . . . . 0.0079-0.0098 in.(0.20-0.25 mm)  
Exhaust Valve Clearance . . . . . 0.0098-0.012 in.(0.25-0.30mm)  
Angle of Ignition . . . . . 25 Degrees

## Parts & Features

- 1. Start Lever** - Lever on handle which allows the engine to run. When lever is released, engine will stop.
- 2. Choke Control** - Restricts the air intake. This allows for an enriched fuel-air mixture which helps to start the engine.
- 3. Muffler** - Location of engine exhaust.
- 4. Adjustable Rear Wheel** - Right rear wheel is adjustable to level the edger when edging along a curb (curb-hopping).
- 5. Adjustable Front Wheel** - Front wheel is adjustable from side to side for balance. The front wheel can also adjust down for curb-hopping.
- 6. Recoil Starter Handle** - The engine is equipped with an easy pull recoil starter.
- 7. Index Lever** - Permits adjusting the cutting angle to 15 degrees, 0 degrees (vertical), or -15 degrees. To change the angle, pull the index lever and rotate the quill assembly to the desired angle.
- 8. Blade** - Rotating cutting element.
- 9. Blade Guard** - Prevents stones and debris from being thrown at the operator.
- 10. Spark Plug/Spark Plug Wire** - Provides spark to ignite air/fuel mixture. The Spark Plug Wire must be disconnected and moved away from the Spark Plug when servicing the unit.
- 11. Air Filter** - Removes debris and contaminants from intake air, allowing engine to run smoothly with low exhaust.
- 12. Depth Selector Plate**
- 13. Depth Control Lever**
- 14. Control Rod** - Used to control the edging depth of cut.
- 15. Ground Wire Terminals** - Must be connected for the Start Lever to function.





# Assembly

• Save all instructions



If you need assistance or find any parts missing, CALL  
TOLL FREE: 1-800-737-2112.

Read and follow the assembly instructions. Do not discard any parts or materials until the unit is assembled. References to the right or left side of the edger are from the viewpoint of the operator's position behind the edger.

## ⚠ WARNING

Do not operate edger if it is damaged or not completely and correctly assembled. Before doing any assembly or maintenance to the unit, remove the wire from the spark plug. Always wear ANSI compliant safety glasses with side shields while assembling the edger.

The following components will be found in the carton. Quantities shown in ( ).

1. (1) Edger
2. (1) Edger Operator's Manual
3. (1) Upper Handle
4. (1) Control Rod
5. (1) Container of Engine Oil
6. (1) Parts bag containing the following:
  - (2) Hair Pins
  - (2) Plastic Wing Nuts (M8)
  - (2) M8x35mm Pipe Bolts
  - (1) Wire Tie

**NOTE:** Depending on the model, the fasteners to attach the wheels will either be loosely assembled to the unit or in a separate plastic bag. See assembly instructions.

## A How to Remove Edger from Carton

1. Remove all parts and packaging components.
2. Use a utility knife to cut all 4 vertical edges and lay the side panels flat around the edger.

3. Remove any remaining packaging.
4. Roll the unit out from the carton, and place on a hard level surface.

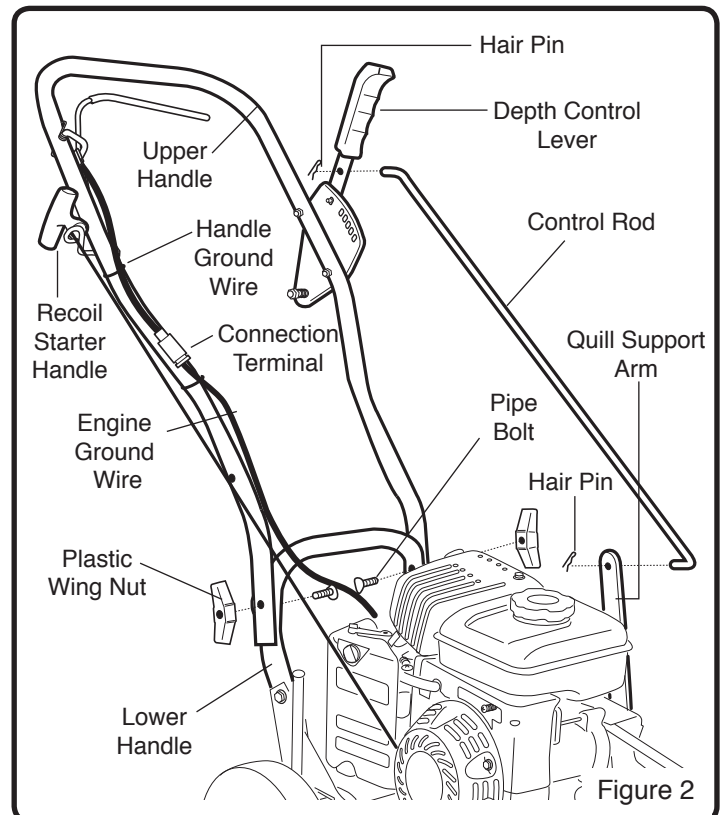
## B How to Assemble the Handle

**NOTE:** Refer to Figure 2 when following steps below:

1. Assemble the upper handle to the lower handle with the (2) pipe bolts and the (2) plastic wing nuts. Firmly hand tighten the wing nuts.
2. Slide one end of the control rod into the hole of the Depth Control Lever. Secure with hairpin.
3. Slide the other end of the control rod through the hole of the quill arm. Secure with second hairpin.
4. Attach the recoil starter handle through the rope guide, by twisting it into position.
5. Remove the temporary insert from the engine ground wire terminal.
6. Connect the ground wires from the engine and handle. Use cable tie to secure loose wire to handle.

## ⚠ WARNING

Ground wires **MUST** be connected for correct engine operation. Failure to connect can result in serious injury.

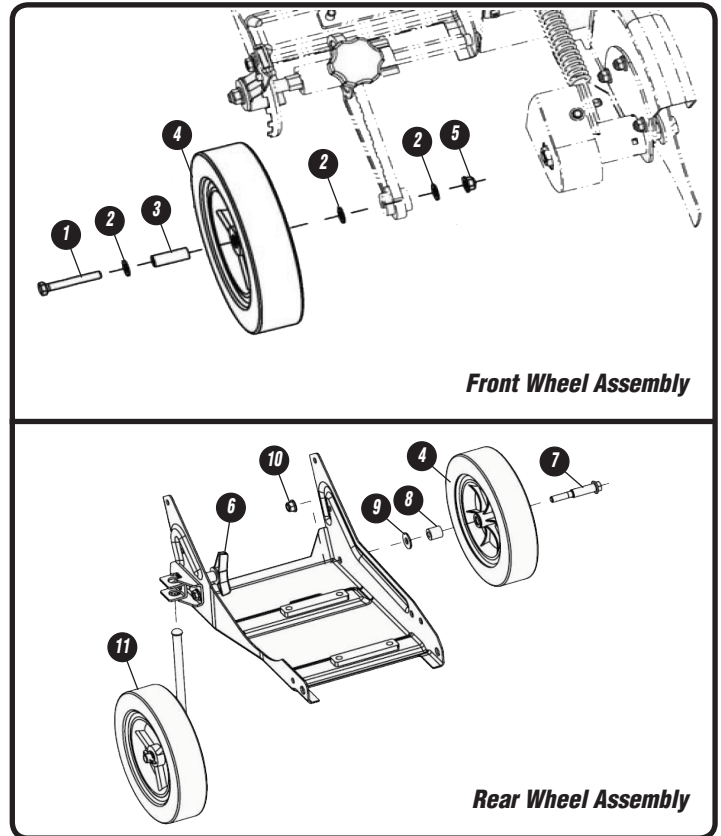


# Assembly (Continued)

• Save all instructions

## **C** How to Assemble the Wheels

1. Right Rear Wheel assembly
  - a. Loosen Knob (6)
  - b. Using the wheel and rod assembly (11) Insert rod through bracket, adjust to desired position.
  - c. Tighten Knob (6)
2. Left Rear Wheel
  - a. Install using Shoulder bolt (7), Wheel (4), Sleeve (8), Washer (9)
  - b. Secure with M10 flanged nut (10)
3. Front Wheel
  - a. Install on Right side of front arm using Bolt (1), M8 washer (2), sleeve (3) Wheel (4), and washer (2).
  - b. Secure with washer (2) and M8 nut (5).



# Engine Preparation

• Save all instructions

## **A** Engine Oil

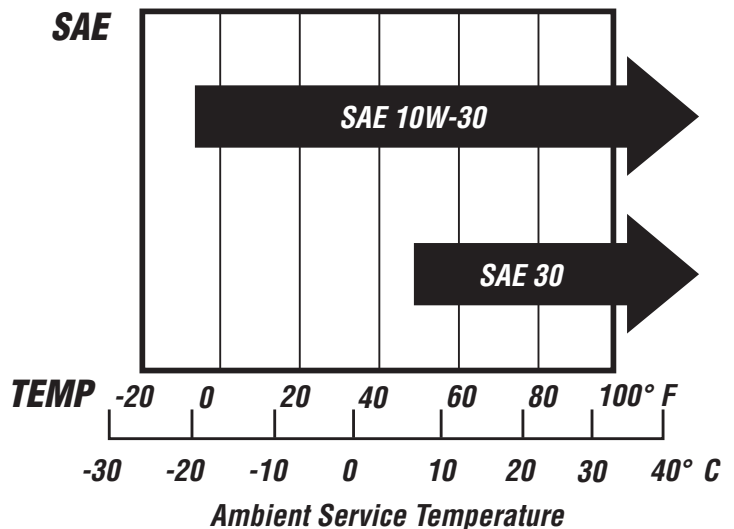
### **NOTICE**

Engine shipped without oil. Failure to add oil will result in serious engine damage.

A bottle of engine oil is included with your edger. Refer to the chart on the right for alternative oil types to use at different temperatures. Always use a high quality detergent oil classified "For Service, SG, SH, SJ" or higher. Do not use special additives.

Always use recommended oil type. Using dirty oil or incorrect oil type such as 2-stroke engine oil will shorten engine life.

**NOTE:** Engine Oil Capacity is 355 ml (12 oz.).





# Engine Preparation (Continued)

• Save all instructions

## **B** How to check oil level and fill to proper level

### **WARNING**

Before checking oil, make sure engine is off, and spark plug wire has been disconnected from spark plug.

1. Place the edger on a level surface and make sure the adjustable wheel heights are set so the main frame of the edger is level. (See Figure 3)
2. Remove the oil fill cap/dipstick and wipe clean with cloth. (See Figure 3)
3. Insert dipstick into fill spout but do NOT screw in. Remove dipstick and check oil level.
4. When oil level is full, the oil will be at upper limit on dipstick. If oil level is near or below the lower limit, oil must be added. (See Figure 4)
5. Add oil slowly until the oil level reaches the upper limit of the dipstick. Use a funnel or nozzle to reduce spillage.

### **NOTICE**

Frequently check oil level while filling. DO NOT OVERFILL. DO NOT UNDERFILL. Running engine at improper oil level will seriously damage engine.

6. Replace and tighten dipstick.
7. Clean up any spilled oil.

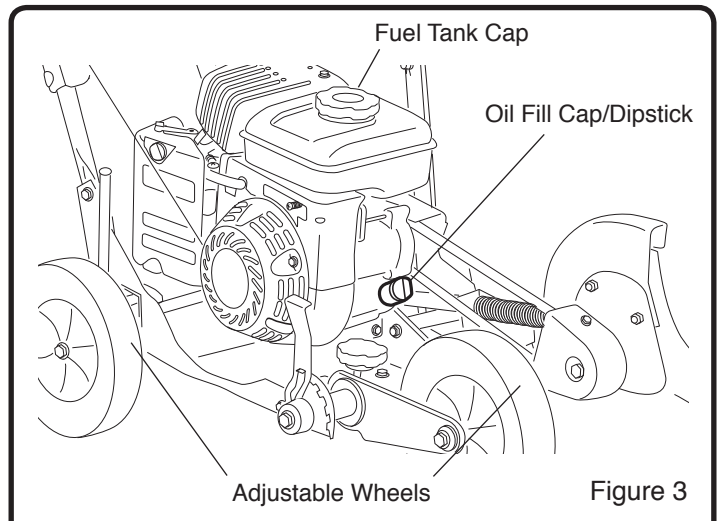


Figure 3

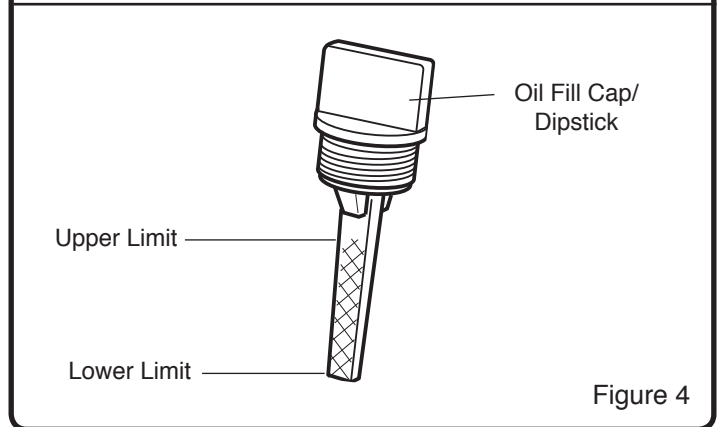


Figure 4

## **C** Fuel

### **WARNING**

Gasoline is extremely flammable and vapors can explode if ignited. Handle with care.

Use fresh unleaded gasoline with an octane rating of 87 or higher. Do not use gasoline containing more than 10% ethanol. Use of non-ethanol fuel is best. We recommend the continuous use of a fuel additive /stabilizer to counteract the effects of ethanol. These additives also prolong the shelf life of gasoline.

### **NOTICE**

Using incorrect fuel type or contaminated fuel will cause serious engine damage.

**NOTE:** Fuel tank capacity is approximately 1.69 qt (1.6L)

### **How to Fill Engine with Fuel**

#### **WARNING**

Turn engine off and let engine cool for several minutes before removing the fuel cap or adding fuel. Never fill fuel tank indoors. Do not smoke while adding fuel.

1. Clean surface around fuel tank cap to prevent contamination. (See Figure 3)
2. Loosen fuel cap slowly. After removing cap, place on a clean surface.
3. Pour fuel into the tank. Use care to avoid spillage.

**NOTE:** DO NOT overfill fuel. Allow space for the fuel to expand due to heat from engine and/or sun.

4. Before replacing the fuel cap, inspect and clean the fuel cap seal.
5. Replace the fuel cap and securely hand-tighten.
6. Clean up any spilled fuel.

# Operation

• Save all instructions

## A Before Starting the Engine

### ⚠ WARNING

Before starting engine, read operator's manual. Become familiar with location and function of all controls. Know how to stop the engine quickly.

### ⚠ WARNING

Before starting the engine, check that the ground wire terminals have been connected.

Before attempting to start the engine, review the following steps:

1. Unit has been assembled according to all assembly instructions.
2. Ground wire terminals are connected.
3. Unit has been inspected for any damaged or missing components.

## B How to Start Engine

### ⚠ DANGER

Never Run engine indoors or in a poorly ventilated area. Engine exhaust contains Carbon Monoxide, an ODORLESS and DEADLY gas.

### ⚠ WARNING

Debris thrown from edger can cause severe eye damage. Always wear ANSI compliant safety glasses or eye shields when operating edger. If you wear eyeglasses, put an OSHA certified Wide-Vision Safety Mask over your eyeglasses.

1. Review ALL steps in the "BEFORE STARTING THE ENGINE" section.
2. Move the Depth Control Lever to the Start Position. (See Figure 6)
3. Rotate Choke to the Choke Position. (See Figure 5)  
**NOTE:** Not required when re-starting a warm engine.
4. Firmly grip the edger handle with your left hand, pulling the Start Lever against the handle. (See Figure 6)  
**NOTE:** Engine will not start if the Start Lever is not pulled against the handle.
5. Firmly grip the Recoil Starter Handle with your right hand. (See Figure 6)
6. Pull the recoil slowly, until you feel tension in the starter rope. Then quickly pull the recoil starter handle to completely unwind the starter rope. DO NOT allow the starter rope to snap back. Let the starter rope slowly rewind.

4. No parts are remaining in the carton.
5. Engine oil is at proper level.
6. Fresh, clean, regular-unleaded gasoline has been added to fuel tank.
7. Spark plug wire is connected to spark plug.
8. Edger has been moved to desired location.
9. Edger is on level surface.

### ⚠ WARNING

Keep all bystanders, especially CHILDREN, away during operation.

**IMPORTANT:** This unit's engine exhaust system is equipped with a spark-arresting muffler. Tampering with or removing the spark-arrestor violates section 4442 of the California Public Resources Code as well as other applicable state and federal law.

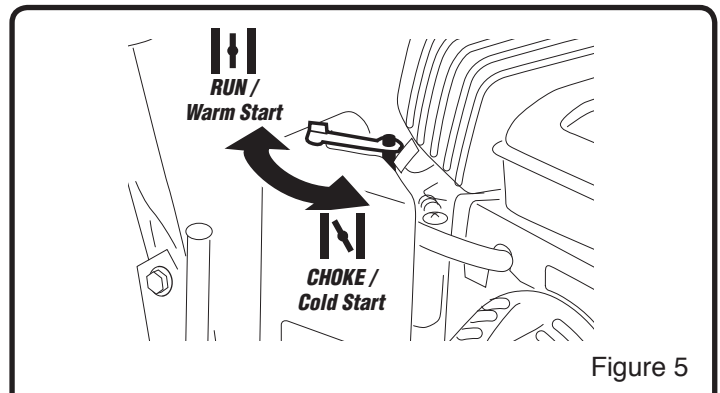


Figure 5

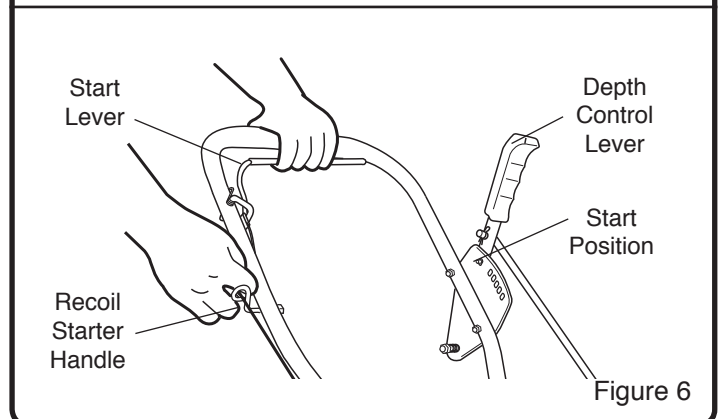


Figure 6

## Operation (Continued)

• Save all instructions

### **B** How to Start Engine (Continued)

7. After the engine starts, wait 2-5 seconds and rotate the choke back to the RUN position.
8. If engine fails to start after 5 or 6 more attempts, see instructions in the “Troubleshooting Chart”.

#### **⚠ WARNING**

Keep hands, feet, hair, and loose clothing away from any moving parts. Avoid touching muffler and surrounding areas temperatures can exceed 150 degrees. Keep all safety devices and shields in place.

### **C** How to Stop the Edger

Release the start lever (See Figure 6). This will ground out the engine through the ground wire, causing the engine to stop.

#### **⚠ WARNING**

The ground wire terminals must be securely connected for the Start Lever to function. Refer to the *How to assemble the handle* section on page 7.

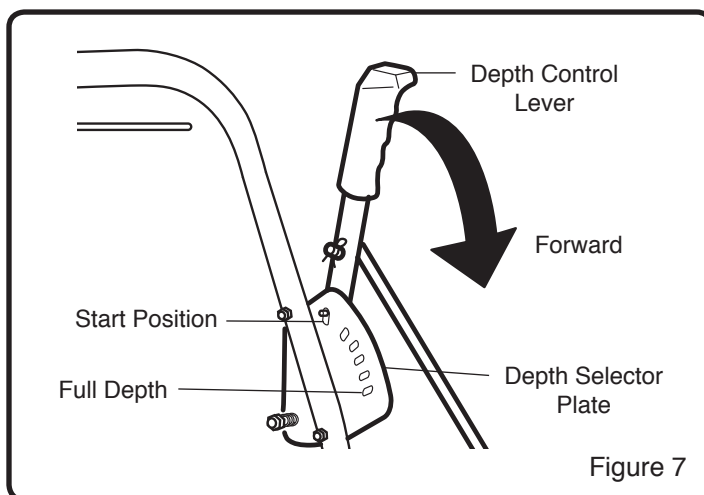
### **D** How to Change the Edger Cutting Depth

Move the Depth Control Lever forward to increase the depth. (See Figure 7)

**NOTE:** There are 5 cutting depth settings from approximately ground level to 2.5” (63 mm) deep.

#### **NOTICE**

Do not overload the edger capacity by attempting to edge too deep at too fast a rate. To edge at deeper settings, make multiple passes, first cutting at shallow depths.



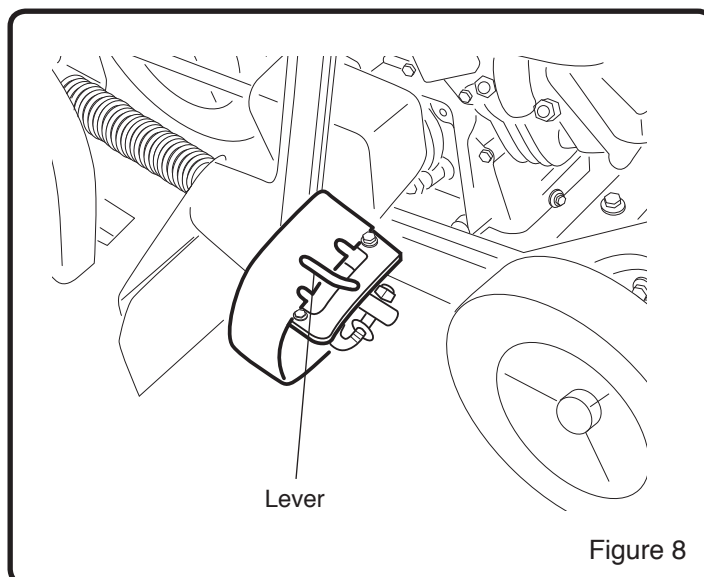
### **E** How to Change the Blade Angle for a Beveled Edge

The blade can be adjusted 15 degrees from vertical (both directions) to provide a beveled cut, which will cut the grass further away from the sidewalk or driveway, reducing the need to edge as often. Using the beveled edge at a deep depth will cut a trench into the ground.

1. Stop the engine.
2. Disconnect the spark plug wire from the spark plug.
3. Disengage the index lever (See Figure 8). Move the index lever to the desired notch (15, 0 or -15 degrees).
4. Before you start the engine, line up the edger as if you were going to bevel cut.

#### **NOTICE**

Do not overload the edger capacity by attempting to edge too deep at too fast a rate. To edge at deeper settings, make multiple passes, first cutting at shallow depths.



## Operation (Continued)

### • Save all instructions

#### **F** How to Edge Along a Curb

The height of the front wheel and right rear wheel are adjustable to allow for edging along a curb.

**NOTE:** Figure 9 shows the unit correctly configured for edging along a curb. Refer to Figure 9 when following the steps below:

1. Stop the engine.
2. Disconnect the spark plug wire from the spark plug.
3. Loosen the front wheel knob.
4. Slide the wheel to the right, enough to clear the curb and balance the unit.
5. Securely tighten the front wheel knob.
6. Use the front wheel adjustment lever to lower the front wheel enough so the unit will be level.
7. Loosen the rear wheel knob.
8. Lower the right rear wheel enough so the unit will be level.
9. Securely tighten the rear wheel knob.

#### **⚠ WARNING**

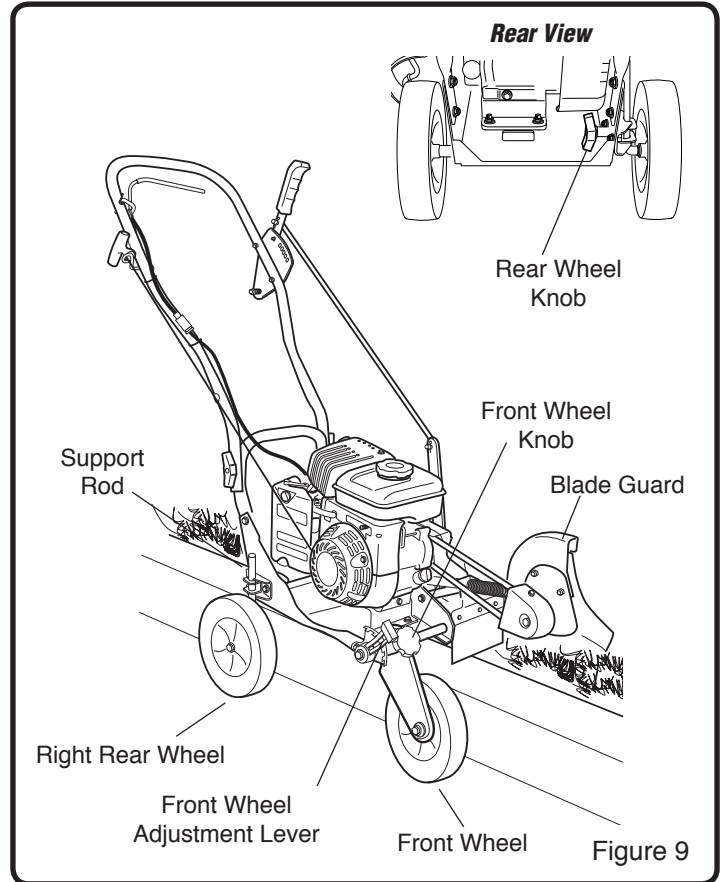
Use extreme caution when edging along a curb. Make sure the unit is balanced. Make sure of your footing. Stay alert for traffic or other hazards.

#### **Edging Tips**

#### **⚠ WARNING**

Read the Operator's manual. Know location and functions of all controls. Keep all safety devices and shields in place. Never allow children or uninstructed adults to operate the edger. Keep bystanders away from machine. Keep away from the blade and all rotating parts, which cause injury.

- Edging is best performed when conditions are dry. If the soil is too wet, dirt becomes packed around the blade causing premature belt wear and decreased performance.
- If dirt does become packed around the blade, stop the engine and remove the wire from the spark plug. Remove the packed dirt and debris from the blade.
- For deep edging, first cut at shallow depths. Then, cut at greater depths until the desired depth is obtained.
- Edging can be customized by varying the number of passes and the distance between the blade and the edge of sidewalk, driveway, or curb.



# Maintenance

• Save all instructions

## A Maintenance Schedule

### ⚠ WARNING

Before performing any maintenance, turn engine off and remove the wire from the spark plug to prevent accidental starting and serious injury.

**IMPORTANT: The warranty on this edger does not cover items that have been subjected to operator abuse or negligence. To receive full value from the warranty, the operator must maintain the edger as instructed in this manual, and only use genuine replacement parts. The following table lists required periodic maintenance.**

### PERIODIC MAINTENANCE SCHEDULE TABLE

<b>Service Records- Fill in dates as you complete regular service</b>	<b>Before Each Use</b>	<b>After Every 10 Hours of Use</b>	<b>After Every 25 Hours of Use</b>	<b>After Every 50 Hours of Use</b>	<b>After Every 100 Hour of Use</b>	<b>Before Each Season</b>	<b>Before Storage</b>	<b>See Note Below</b>
Check Engine Oil Level, Fill to Proper Level	√					√		
Check Connection of BOTH Ground Wire Connectors	√					√		
Clean Debris From Unit	√					√	√	
Lubricate All Pivot Points		√				√	√	
Check Fasteners for Tightness		√				√		<b>1</b>
Check Drive Belt Replace if Necessary		√				√		
Check Blade for Wear or Damage Replace if Necessary		√				√		
Check Fuel Line Replace if Necessary			√			√		
Lubricate Wheel Axles			√			√	√	
Check Spark Plug Replace if Necessary			√			√		
Change Engine Oil				√		√	√	<b>2,3</b>
Clean Air Filter Replace if Necessary			√			√		<b>4</b>
Replace Spark Plug					√			
Clean Combustion Deposits from Cylinder, Piston, and Valves					√			

### ⚠ CAUTION

#### **IMPORTANT (Notes about Maintenance schedule)**

1. Re-check tightness of all fasteners after first 2 hours of initial use.
2. Change engine oil after first 5-8 hours of initial use.
3. Change oil every 25 hours if operating under heavy load or in high temperatures.
4. Clean air filter every 10 hours if operating under dusty conditions.

### ⚠ WARNING

Use only GENUINE replacement parts. Other parts may damage the unit or result in injury.

# Maintenance (Continued)

• Save all instructions

## **B** Lubrication

Add a small amount of engine oil to lubricate parts and pivot points. Refer to “Periodic Maintenance Schedule Table” for time intervals to lubricate parts.

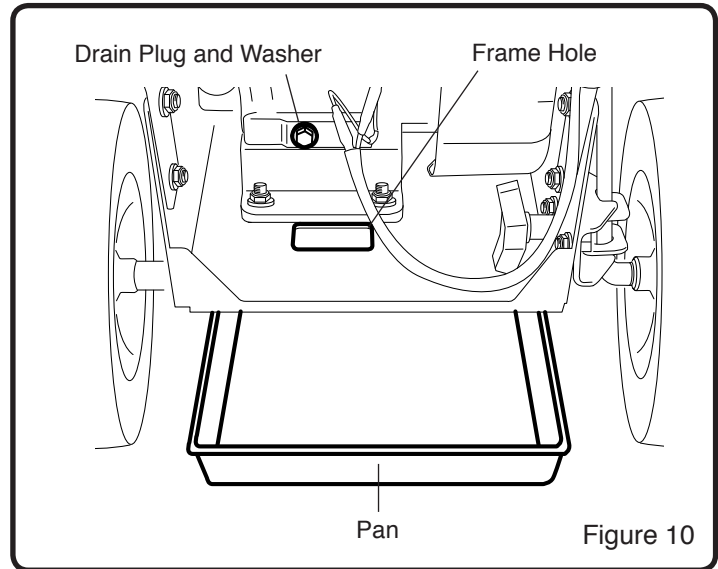
## **C** How to Change the Engine Oil

**NOTE:** Refer to Figure 10 when following the steps below:

1. Stop the engine and let it cool.
2. Disconnect spark plug wire from the spark plug.
3. Raise the front of the unit, by lowering the height of the front wheel. Refer to *How to Edge Along a Curb*.
4. Insert a flat pan under the edger, underneath the oil drain plug and frame hole.
5. Remove oil dipstick. (See Figure 3)
6. Remove the oil drain bolt and washer.
7. Allow all oil to drain through the frame hole into the pan.

**IMPORTANT: Used oil is a hazardous waste. Place oil in a sealed container and take to your local recycling center. Do NOT discard with household waste.**

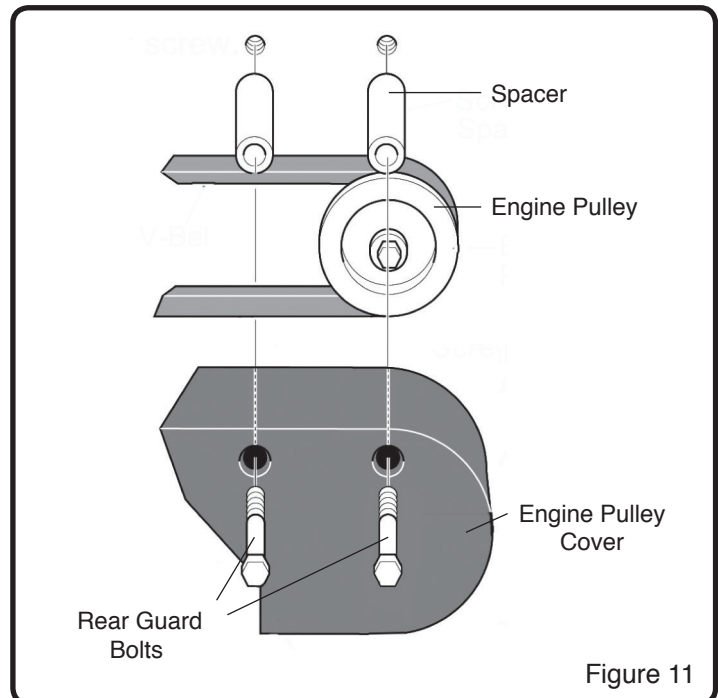
8. Replace and tighten the oil drain plug and washer.
9. To re-fill engine with oil, see engine preparation section *How to Check Oil and Fill to Proper Level*.



## **D** How to Replace the Belt

**IMPORTANT: Only use a replacement belt from the manufacturer. To order spare parts call us at 1-800-737-2112.**

1. Disconnect the spark plug wire from the spark plug.
2. To ease the replacement of a belt, remove the control rod (See Figure 2). This will allow the quill arm to rotate back creating slack in the belt.
3. Remove the two rear guard bolts to remove the engine pulley cover. (See Figure 11)





# Maintenance (Continued)

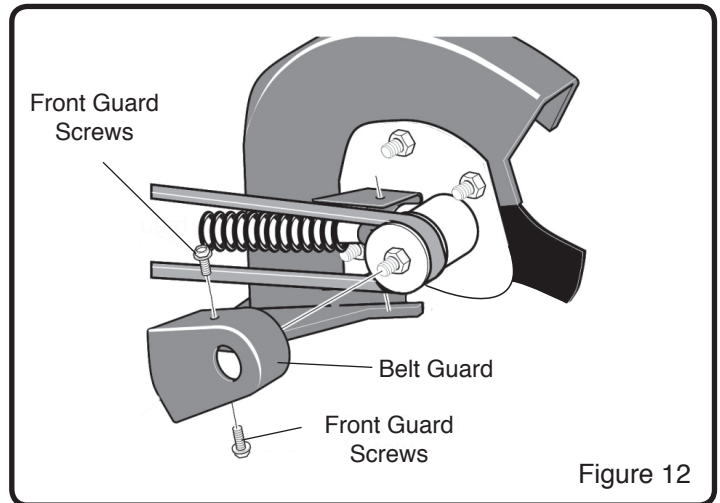
• Save all instructions

## **E** How to Replace the Belt (Continued)

4. Remove the two Front Guard Screws and the Belt Guard. (See Figure 12)
5. Remove the old belt from the engine and quill assembly pulleys.
6. To install a replacement belt from the manufacturer, reverse the steps above.

**NOTE:** The rear guard bolts should be tightened to 13-16 foot-pounds [18-22N-m].

**NOTE:** The front guard screws should be tightened to 4-6 foot-pounds [6-8N-m].



## **F** How to Change the Blade

### **⚠ WARNING**

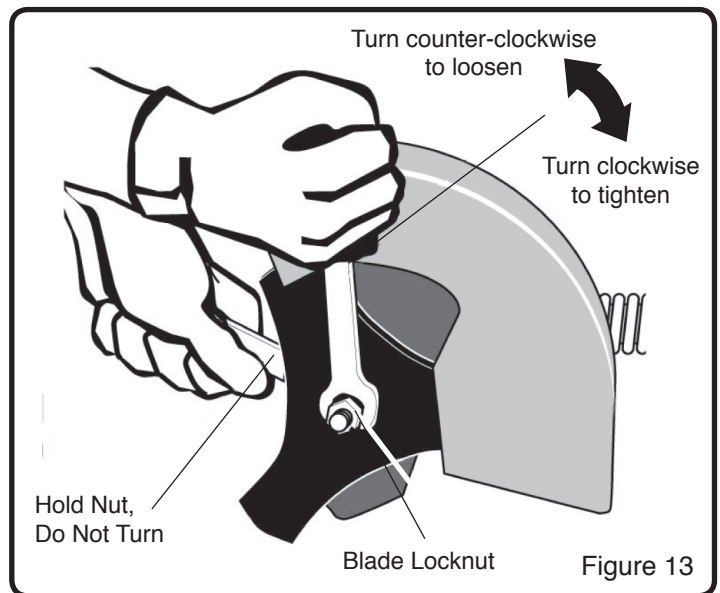
Do not sharpen the blade. Sharpening can damage the blade and cause it to break, which can cause injury to you or to others.

The blade is subject to nicks, scratches, and dents, which will generally not affect function. The blade is also subject to wear – reducing the cutting depth. Replace a worn blade by following the steps below:

**IMPORTANT:** Only use a replacement blade from the manufacturer. To order spare parts call us at 1-800-737-2112.

**NOTE:** Replacing the blade requires two (2) 12" adjustable wrenches, or two (2) 3/4 in. [19mm] wrenches.

1. Shut off engine.
2. Disconnect the spark plug wire from the spark plug.
3. Remove the blade locknut that holds the blade to the drive shaft. (See Figure 13)



### **⚠ WARNING**

To remove or tighten the blade locknut, always use the method shown in Figure 13. Always position the holding wrench on the nut behind the blade.

4. Remove the blade.
5. Replace with new blade from the manufacturer by reversing the above steps.

**NOTE:** Tighten the blade locknut to 35-45 foot-pounds (47-61 N-m).

# Maintenance (Continued)

• Save all instructions

## G How to Clean the Air Filter

A dirty air filter will restrict air intake. Regular maintenance of air cleaner will help improve engine performance and reduce emissions.

### WARNING

Never clean air filter with gasoline or an easy ignited solvent because it may cause explosion.

**NOTE:** Refer to Figure 14 when following the steps below:

1. Remove the air filter cover bolts.
2. Remove the air filter cover.
3. Carefully remove air filter element to prevent dirt from falling into carburetor.
4. Clean all parts. Wash the air filter element in a nonflammable or high burning point solvent, and allow to dry thoroughly; dip the filter element in clean oil, and squeeze out all excess oil.

5. Reinstall the air filter element.
6. Replace air filter cover and tighten cover bolts.

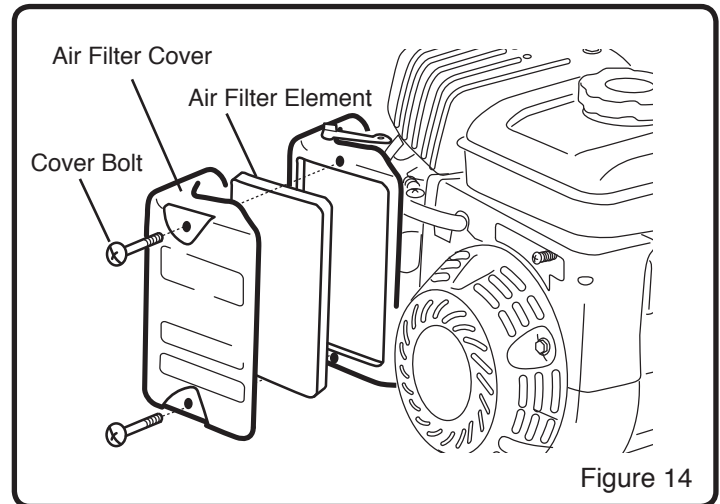


Figure 14

## H How to Check the Spark Plug

**Spark Plug Model: Torch E7RTC**

### CAUTION

Only use the recommended spark plug or a spark plug with the same temperature range. Using an improper spark plug, an incorrect spark plug gap, or a dirty/fouled spark plug can reduce engine performance and cause damage.

1. Stop engine and allow it to cool.
2. Remove spark plug wire from spark plug. Remove spark plug (See Figure 15)
3. Visually inspect the spark plug for cracks or damage. If cracked, replace spark plug.
4. Clean carbon deposits. If excessive carbon build up, replace spark plug.
5. Check that the gap of the spark plug is 0.024-0.028 in. (0.6-0.7 mm). (See Figure 16)
6. Re-insert the spark plug and tighten using a spark plug wrench. (See Figure 15)
7. Reattach spark plug wire to spark plug.

**NOTE:** Torque of spark plug is 18-22 foot-pounds (25-30 Nm).

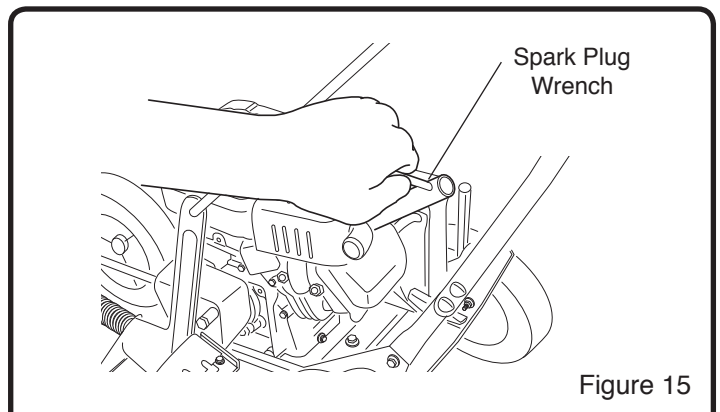


Figure 15

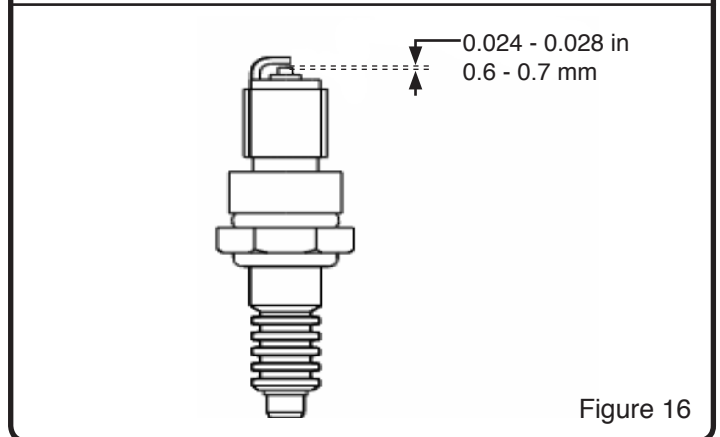


Figure 16

# Maintenance *(Continued)*

• Save all instructions

## I How to Prepare for Storage

### ⚠ WARNING

Never store the edger indoors with fuel in the fuel tank. Never store in an enclosed, poorly ventilated area where fumes could reach an open flame, a spark or a pilot light as on a furnace, water heater or clothes dryer. Allow engine to cool before storing unit.

### ⚠ WARNING

Do not remove gasoline while inside a building, near a fire, or while you smoke. Gasoline fumes can cause an explosion or a fire.

**NOTE:** A yearly checkup or tune-up at an authorized service center will make sure that the edger will provide maximum performance for the next season.

To prevent fuel gum deposits and corrosion in the unit's carburetor and fuel system, it is highly recommended to use a fuel additive/stabilizer formulated for ethanol fuels. Follow the stabilizer manufacturer's instructions. Run the engine for at least 5 minutes after adding stabilizer.

When the edger is put in storage for thirty days or more, the following steps should be followed to make sure the edger is in good condition the next season.

1. Let the engine run until it is out of gasoline. Remove the carburetor screw from bowl and drain fuel. Tilt unit slightly to remove all fuel. Replace screw.
2. Change the oil by following instructions under *How to Change the Oil*.
3. Remove the spark plug from the cylinder. Pour one ounce (US) of oil into the cylinder. Slowly pull the

recoil-start grip so that the oil will protect the cylinder. Install a new spark plug in the cylinder. Pull starter handle slowly a few times to distribute oil. Pull recoil slowly until resistance is felt. This will close the cylinder valves.

### ⚠ WARNING

Do not attach spark plug wire to spark plug when storing unit.

4. Clean edger. Remove all dirt, leaves, debris, grease, etc. from the edger - including cylinder cooling fans, recoil starter cover holes, under fuel tank, and under muffler.
5. Check the edger for worn or damaged parts. Have damaged parts replaced if necessary.
6. Tighten any loose hardware.
7. Apply lubrication as directed in *Maintenance section*.
8. Put the unit in a building that has good ventilation.
9. Cover the edger with a breathing material.

## Technical Service

You may have further questions about assembling, operating, or maintaining this EDGER. If so, you can contact our Technical Service Department at 1-800-737-2112 (English only).

You may also write to:

**METL Corporate Office - CORRESPONDENCE ONLY**  
**ATTN: Technical Service – METL**  
**6700 Wildlife Way**  
**Long Grove, IL 60047**

**When contacting the Technical Service Department, have ready:**

- Your Name
- Your Address
- Your Phone Number
- Model Number of Product
- Date of Purchase  
(include copy of receipt for written requests)



**If you need assistance or have any questions, CALL TOLL FREE: 1-800-737-2112.**

# Troubleshooting

• Save all instructions

<b>PROBLEM</b>	<b>POSSIBLE CAUSE(S)</b>	<b>SOLUTION(S)</b>
Engine difficult to start	<ol style="list-style-type: none"> <li>1. Out of fuel</li> <li>2. Start lever is not compressed</li> <li>3. Choke in "Run / Warm Start" position</li> <li>4. Spark plug wire disconnected</li> <li>5. Fouled spark plug</li> <li>6. Dirty Carburetor</li> <li>7. Clogged air filter</li> <li>8. Clogged fuel filter</li> <li>9. Contaminated Fuel</li> </ol>	<ol style="list-style-type: none"> <li>1. Add fresh fuel</li> <li>2. Pull start lever against handle</li> <li>3. Rotate Choke lever to "Choke / Cold Start" position</li> <li>4. Attach spark plug wire to spark plug</li> <li>5. Remove spark plug. Inspect. Replace if necessary</li> <li>6. Take unit to an authorized service center for Carburetor cleaning</li> <li>7. Remove and clean air filter</li> <li>8. Remove fuel filter. Inspect. Replace if necessary</li> <li>9. Drain fuel tank. Clean fuel tank. Fill with fresh fuel</li> </ol>
<u>Engine Problems</u> Engine smokes excessively Engine runs very "rough" Engine runs erratically Engine cannot maintain full speed	<ol style="list-style-type: none"> <li>1. No Engine Oil</li> <li>2. Engine oil not at proper level</li> <li>3. Fouled spark plug</li> <li>4. Clogged air filter</li> <li>5. Clogged fuel filter</li> <li>6. Contaminated Fuel</li> <li>7. Carburetor out of adjustment</li> <li>8. Choke in "Choke / Cold Start" position</li> </ol>	<ol style="list-style-type: none"> <li>1. Add engine oil</li> <li>2. Check engine oil. Add or drain engine oil if necessary</li> <li>3. Remove spark plug. Inspect. Replace if necessary</li> <li>4. Remove and clean air filter</li> <li>5. Remove fuel filter. Inspect. Replace if necessary</li> <li>6. Drain fuel tank. Clean fuel tank. Fill with fresh fuel</li> <li>7. Take unit to an authorized service center for Carburetor adjustment</li> <li>8. Rotate Choke to "Run / Warm Start" position</li> </ol>
Excessive vibration / noise	<ol style="list-style-type: none"> <li>1. Loose parts</li> <li>2. Engine problems (above)</li> </ol>	<ol style="list-style-type: none"> <li>1. Tighten all fasteners</li> <li>2. Refer to engine solutions (above)</li> </ol>
Blade will not rotate	<ol style="list-style-type: none"> <li>1. Debris interfering with blade</li> <li>2. Blade loose</li> <li>3. Belt Loose</li> </ol>	<ol style="list-style-type: none"> <li>1. Remove debris from around blade</li> <li>2. Tighten blade nuts</li> <li>3. Replace Belt</li> </ol>
Engine will not stop	Ground wire terminals disconnected	Connect handle and engine ground wire terminals
Blade will not cut properly	Damaged or worn blade	Replace blade
Frequent engine stalling	<ol style="list-style-type: none"> <li>1. Excessive edging speed / depth</li> <li>2. Engine problems (above)</li> </ol>	<ol style="list-style-type: none"> <li>1. Edge at a moderate pace. Make multiple passes</li> <li>2. Refer to engine solutions (above)</li> </ol>

# Warranty

• Save all instructions

## **A** Southland® LAWN EDGER Limited Warranty

Always specify model number when contacting the factory.

We reserve the right to amend these specifications at any time without notice. The only warranty applicable is our standard written warranty. We make no other warranty, expressed or implied. MAT Engine Technologies, LLC warrants this Lawn Edger and any parts thereof, to be free from defects in material and workmanship for two years (90 days for commercial use) from the date of first purchase from an authorized dealer, provided that the product has been properly maintained and operated in accordance with all applicable instructions. This warranty is extended only to the original retail purchaser. The bill of sales or proof of purchase must be presented at the time a claim is made under this warranty. This warranty does not cover industrial, or rental usage, nor does it apply to parts that are not in original condition because of normal wear and tear, or parts that fail or become damaged as a result of misuse, accident, lack of proper maintenance, tampering, or alteration. Travel, handling, transportation, and incidental costs associated with warranty repairs are not reimbursable under this warranty and are the responsibility of the owner. To the full extent allowed by the law of the jurisdiction that governs the sale of the product, this express warranty excludes any and all other expressed warranties and limits the duration of any and all implied warranties, including warranties of merchantability and fitness for a particular purpose to two years from the date of first purchase, and MAT Engine Technologies, LLC's liability is hereby limited to the purchase price of the product and MAT Engine Technologies, LLC shall not be liable for any other damages whatsoever including indirect, incidental, or consequential damages. Some states do not allow limitation of how long an implied warranty lasts or an exclusion or limitation of incidental or consequential damages, so the above limitation of damages may not apply to you. This warranty provides the original purchaser with specific rights.

For information regarding those rights, please consult the applicable state laws.

**METL Corporate Office - CORRESPONDENCE ONLY**  
**ATTN: Technical Service – METL**  
**6700 Wildlife Way**  
**Long Grove, IL 60047**

The Engine Emissions Control System Warranty is provided by the engine manufacturer, included with this product and administered by MAT Engine Technologies, LLC.

**If you have any questions regarding your warranty coverage,  
you should contact METL customer service:**



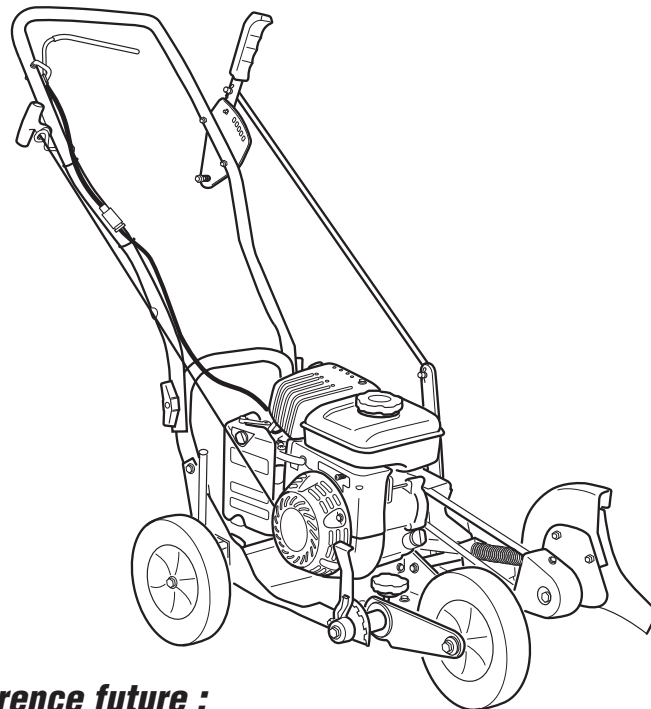
**If you need assistance or have any questions, CALL  
TOLL FREE: 1-800-737-2112**

## **Manuel de l'utilisateur COUPE-BORDURE 3.1 FT-LBS, 4 TEMPS**

**Modèle N° SWLE0799.1**

### **Retrouver à l'intérieur:**

	Page
Définitions de sécurité .....	2-3
Importante information de sécurité .....	3-5
Spécifications .....	6
Pièces et caractéristiques .....	6
Assemblage .....	7-8
Préparation du moteur .....	8-10
Fonctionnement .....	10-13
Entretien .....	14-18
Service technique .....	18
Dépannage .....	19
Garantie .....	20



**Veillez noter les éléments suivants pour une référence future :**

**Code – Date de fabrication :** \_\_\_\_\_

**Date d'achat :** \_\_\_\_\_ **Joignez une copie de votre reçu de caisse.**

**Numéro sans frais – service à la clientèle : 1-800-737-2112**

**Référez au site Web pour un manuel sous forme électronique et un catalogue des pièces.**  
**[www.southlandpowerequipment.com](http://www.southlandpowerequipment.com)**

### **IMPORTANT :**

Merci pour l'achat de votre coupe-bordure Southland®

Ce manuel fournit des instructions complètes pour l'exploitation et l'entretien de votre coupe-bordure en toute sécurité. Lire et conserver ces instructions. Reportez-vous à ce manuel à chaque fois avant d'utiliser votre coupe-bordure.

**AVERTISSEMENT : CONTIENT DU PLOMB.** Peut être nocif s'il est ingéré ou mâché. Peut générer de la poussière contenant du plomb. Se laver les mains après usage. Garder hors de la portée des enfants.

**⚠ AVERTISSEMENT :** Ce produit pourrait vous exposer à des produits chimiques, y compris le plomb, reconnu par l'État de Californie comme cause de cancer et de malformations congénitales ou autres problèmes du système de reproduction. Pour obtenir plus d'information, visitez [www.P65Warnings.ca.gov](http://www.P65Warnings.ca.gov).



**Si vous avez une question ou un problème...  
APPELEZ SANS FRAIS : 1-800-737-2112**

**CONSERVEZ CE MANUEL POUR RÉFÉRENCE FUTURE**







# Définitions de sécurité

• Conservez toutes les instructions.











## Symboles d'alerte de sécurité

Les symboles suivants sont utilisés sur le produit et dans ce manuel pour alerter l'opérateur de potentiels dangers concernant la sécurité. Assurez-vous de les lire attentivement et de comprendre leur signification.





 <b>DANGER</b>	Signale une situation imminente et dangereuse qui, si elle n'est pas évitée, entraînera la mort ou des blessures graves.serious injury.
 <b>AVERTISSEMENT</b>	Signale une situation potentiellement dangereuse susceptible, si elle n'est pas évitée, d'entraîner la mort ou des blessures graves.serious injury.
 <b>MISE EN GARDE</b>	Indique une situation potentiellement dangereuse qui, si elle n'est pas évitée, pourrait entraîner des blessures mineures ou modérées.
 <b>AVIS</b>	Indique une pratique qui n'est pas reliée à des blessures personnelles, mais qui, si elle n'est pas évitée, peut entraîner des dommages matériels.damage.

Les symboles suivants peuvent se retrouver sur votre souffleuse. Assurez-vous de les lire attentivement et de comprendre leur signification.

## Symboles d'avertissement de sécurité

	Recherchez ce symbole pour découvrir les précautions importantes en matière de sécurité. Il signifie : <b>Attention ! Soyez alerte ! Votre sécurité est en jeu.</b>
	Veillez lire le manuel de l'utilisateur, avant de faire fonctionner cet appareil. Le défaut de suivre les directives pourrait provoquer de sérieuses blessures.
	Objets projetés. Assurez-vous de retirer toutes les roches, cailloux et corps étrangers, pouvant être projetés par l'unité.
	Assurez-vous de ne pas en faire usage en présence d'enfants et de spectateurs.
	Les pièces rotatives peuvent provoquer de sérieuses blessures. Veillez maintenir les mains et les pieds à l'écart.
	Portez une protection oculaire homologuée ANSI Z87.1 et une protection auditive.
	Débranchez le câble de bougie d'allumage lorsqu'il n'est pas utilisé ou avant de procéder à la réparation, au nettoyage ou à l'entretien de cette unité.
	Les gaz d'échappement contiennent du monoxyde de carbone, un gaz inodore et mortel. N'opérez JAMAIS l'unité à l'intérieur ou dans une zone mal ventilée.
	Ne touchez PAS un tuyau d'échappement ou un cylindre chaud. Ces pièces deviennent extrêmement chaudes durant le fonctionnement et peuvent demeurer ainsi pour une courte période de temps après le fonctionnement.
	Pour réduire le risque d'incendie, nettoyez les déversements d'essence et d'huile et maintenez l'unité libre de résidus. L'essence est extrêmement inflammable. Laissez l'unité refroidir avant de refaire le plein.




## Symboles de contrôle et de fonctionnement

	<b>Emplacement de remplissage d'huile</b> : Éviter un trop-plein
	<b>Emplacement de remplissage d'essence</b>
	<b>Étrangleur / démarrage à froid</b>
	<b>Démarrage en marche / à chaud</b>

## Définitions de sécurité (Suite)

• Conservez toutes les instructions.

### Symboles de contrôle et de fonctionnement (Suite)

	Assurez-vous toujours que les câbles de mise à la terre sont branchés, avant d'opérer l'unité
	<b>Levier de contrôle de profondeur</b> Déplacez le levier vers l'avant pour augmenter la profondeur de coupe  Position de départ (Start)
	<b>Levier de démarrage</b> : Relâcher le levier pour arrêter le moteur Engager le levier pour démarrer / mettre en marche le moteur

## Importante information de sécurité

• Conservez toutes les instructions.

### Responsabilité de Propriétaire

1. Veuillez lire avec soin ces directives de sécurité. Le défaut de suivre cette procédure pourrait provoquer de sérieuses blessures.
2. Apprenez à bien connaître votre produit. Lisez et assurez-vous de bien comprendre ce manuel avant l'usage. Comparez les illustrations à l'unité. Apprenez l'emplacement et le fonctionnement de tous les contrôles. Bien comprendre l'unité avant l'usage, assurera un meilleur rendement et sécurité.
3. Suivez les directives lors de l'assemblage de l'unité. Si l'unité a été achetée déjà assemblée, l'utilisateur doit vérifier l'unité avec soin pour s'assurer qu'elle a été assemblée selon les directives du manuel avant l'usage.
4. Inspectez régulièrement le coupe-bordure. Assurez-vous que les pièces ne sont pas tordues, endommagées ou desserrées.
6. Opérez cette unité seulement lorsque les divers dispositifs de protection et autres articles de sécurité sont en place et fonctionnent correctement.
7. Assurez l'entretien de cette unité en utilisant uniquement des pièces de rechange autorisées ou approuvées.
8. Complétez tout l'entretien et les réglages de l'unité selon les directives de ce manuel.

### ⚠ AVERTISSEMENT

Les gaz d'échappement du moteur et certains de ses éléments constitutifs et certains composants des véhicules contiennent ou émettent des produits chimiques reconnus par l'état de Californie comme causes de cancer, de malformations congénitales ou autres problèmes du système de reproduction.

Pour prévenir un démarrage accidentel lors de la préparation, transport, réglages ou réparations, assurez-vous de débrancher le câble de la bougie d'allumage et de placer le câble à un endroit où il ne peut pas entrer en contact avec la bougie d'allumage.

### Sécurité de Préparation

### ⚠ AVERTISSEMENT

- Lisez, comprenez et suivez toutes les directives sur cet appareil et dans ce manuel. Familiarisez-vous complètement avec les contrôles et l'usage approprié de la souffleuse avant de commencer. Apprenez à arrêter le moteur rapidement.
- Familiarisez-vous avec toutes les décalcomanies de sécurité et de fonctionnement sur cet appareil.
- Inspectez complètement la zone où le coupe-bordure sera utilisé et retirez tous les corps étrangers. Votre UNITÉ peut projeter de petits objets à haute vitesse, pouvant provoquer des blessures ou des dommages matériels. Tenez-vous loin d'objets pouvant se briser, tels : fenêtres de maison, vitres d'auto, serres, etc.

# Importante information de sécurité (Suite)

## • Conservez toutes les instructions.

- Vérifiez que tous les boulons et écrous sont resserrés et que l'appareil est en bonne condition.
- Assurez-vous toujours que le câble de mise à la terre est bien branché, avant de démarrer le moteur.

### Sécurité de Fonctionnement

- Ne permettez jamais à des enfants ou à de jeunes adolescents d'opérer le coupe-bordure.

### ⚠ AVERTISSEMENT

- Maintenez l'espace de travail exempt de spectateurs, surtout de jeunes enfants et d'animaux.
- Vous ne devez autoriser que des personnes responsables et familières avec les directives, d'opérer le coupe-bordure.
- N'opérez pas le coupe-bordure sous l'influence d'alcool, de drogues ou autre médication, pouvant provoquer de la somnolence ou affecter votre capacité à opérer cette unité en toute sécurité.
- N'utilisez pas cet appareil si vous êtes mentalement ou physiquement inapte à opérer cet appareil en toute sécurité.
- Toujours porter des lunettes de sécurité ANSI conformes ou des lunettes de sécurité avec écrans latéraux quand déligneuse fonctionnement afin de protéger vos yeux des objets étrangers, qui peuvent être projetés de l'unité.
- Portez toujours des vêtements appropriés tels, une chemise à manches longues ou un gilet. Portez toujours des pantalons longs. Ne portez PAS de culottes courtes. Ne portez PAS de vêtements amples, pouvant s'entremêler dans l'appareil.
- Portez toujours des gants de travail et de robustes souliers, tels des bottes de travail en cuir ou des bottes courtes. Ceux-ci protégeront les chevilles et le bas des jambes contre les petits morceaux de branchage, les éclats de bois et autres débris volants et améliorera la traction.
- Il est recommandé de porter un casque protecteur pour protéger contre les petites particules volantes ou d'être heurté par des branches basses ou autres objets passant inaperçus aux yeux de l'opérateur.

### ⚠ AVERTISSEMENT

- Ne placez pas les mains ni les pieds près ou sous Des pièces rotatives.
- Soyez vigilants pour éviter de glisser ou de tomber. Assurez-vous toujours d'avoir un pied sûr; conservez une bonne prise sur le guidon et marchez; ne courez jamais. N'opérez jamais la souffleuse à grande vitesse sur des surfaces glissantes.
- Soyez vigilants pour éviter de glisser ou de tomber. Assurez-vous toujours d'un pied sûr; conservez une bonne prise sur la poignée et assurez-vous de marcher, sans jamais courir. n'opérez jamais le coupe-bordure en mode de vitesse rapide sur des surfaces glissantes.
- Regardez derrière et prenez grand soin en reculant.
- N'opérez jamais le coupe-bordure sans avoir une bonne visibilité ou une bonne lumière.

### ⚠ DANGER

- Ne faites pas fonctionner le moteur à l'intérieur ou dans un espace fermé. Les gaz d'échappement sont dangereux et contiennent du MONOXYDE DE CARBONE, un GAZ INODORE ET MORTEL.
- Ne laissez jamais le coupe-bordure sans surveillance, pendant que le moteur tourne. Arrêtez le moteur et assurez-vous que toutes les pièces mobiles sont arrêtées. Débranchez le câble de la bougie d'allumage.
- Ne surchargez pas le coupe-bordure en essayant de labourer trop profondément ou trop rapidement.
- Si l'unité commence à vibrer de façon anormale, arrêtez le moteur, débranchez le câble de la bougie d'allumage et assurez-vous qu'il n'entre pas en contact avec la bougie. Vérifiez immédiatement la cause. Une vibration représente généralement un signe de problème
- Ouvrez l'œil pour la présence de trous, d'ornières, de buttes ou toute autre dénivellation de terrain. Les herbes hautes peuvent cacher des obstacles.

### Sécurité de Combustible

### ⚠ AVERTISSEMENT

- L'essence est extrêmement inflammable et les vapeurs d'essence peuvent exploser si allumées. Manipulez avec soin.
- Utilisez un récipient approuvé.
- Vérifiez l'alimentation en carburant avant chaque usage, en laissant de l'espace pour l'expansion, car la chaleur du moteur et /ou du soleil peut provoquer une expansion du carburant.
- Remplissez le réservoir de carburant à l'extérieur avec un soin extrême. Ne remplissez jamais le réservoir de carburant à l'intérieur.
- Ne retirez jamais le bouchon du réservoir, ni ajoutez de carburant lorsque le moteur est en marche. Laissez le moteur refroidir avant de faire le plein.
- Ne fumez pas en faisant le plein.

# Importante information de sécurité (Suite)

## • Conservez toutes les instructions.

- Après avoir fait le plein, replacez fermement le bouchon du réservoir de carburant et essuyez tout déversement de carburant.
- Ne jamais stocker le carburant ou déligneuse avec du carburant dans le réservoir dans un bâtiment où les vapeurs peuvent atteindre une flamme nue.

### Sécurité de Rangement

- Référez toujours aux directives du manuel de l'utilisateur relativement aux détails importants, si la souffleuse doit être rangée pour une période de temps prolongée.
- Ne rangez jamais le coupe-bordure contenant du carburant dans le réservoir, dans un édifice où se trouvent des sources possibles d'ignition, telles des chauffe-eau, radiateurs, sècheuses à linge, etc.
- Pour réduire les dangers d'incendie, maintenez la souffleuse libre d'une accumulation de gazon, feuilles ou autres débris.
- Laissez le moteur refroidir, avant de ranger l'unité dans tout espace fermé.

### Sécurité Pour Réparations, Entretien et Réglages

- Après avoir frappé un objet, arrêtez le moteur. Débranchez le câble de la bougie d'allumage et placez-le où il ne peut entrer en contact avec la bougie, pour prévenir un démarrage involontaire. Vérifiez soigneusement la souffleuse, pour détecter tout dommage. En présence de dommages, assurez-vous de faire réparer l'unité par un technicien formé, avant de redémarrer et de réutiliser l'unité.

### ⚠ AVERTISSEMENT

- Arrêtez le moteur avant de procéder au nettoyage de l'unité, à l'inspection ou à des réparations. Assurez-vous que toutes les pièces mobiles sont arrêtées. Laissez refroidir le moteur, débranchez le câble de la bougie d'allumage et placez-le à l'écart de la bougie.
- Ne procédez jamais à des réglages lorsque l'unité fonctionne, sauf lorsque recommandé spécifiquement par le fabricant.
- Maintenez le coupe-bordure en mode sécuritaire de fonctionnement. Vérifiez toutes les attaches fréquemment pour assurer une étanchéité appropriée.
- Lors de réparations ou d'entretien du coupe-bordure, ne basculez pas l'unité, à moins qu'il soit spécifiquement indiqué de le faire dans ce manuel. Les procédures pour la réparation ou l'entretien peuvent être exécutées lorsque le coupe-bordure est position droite. Certaines procédures seront plus faciles à exécuter, lorsque l'unité est soulevée sur une plate-forme ou une surface de travail.
- Utilisez uniquement de l'équipement original ou des pièces de rechange autorisées.
- Ne trafiquez jamais des dispositifs de sécurité. Vérifiez leur fonctionnement approprié de façon régulière.
- Ne changez pas la configuration du moteur; ne procédez pas à un réglage de surrégime de moteur.
- Nettoyez et remplacez les décalcomanies de sécurité et de directives, selon le besoin.
- Pour protéger contre la surchauffe du moteur, assurez-vous que le filtre à air du moteur est propre et en place.

### ⚠ AVERTISSEMENT

### Sécurité des Enfants

- Des accidents tragiques peuvent survenir, si l'opérateur n'est pas vigilant à la présence d'enfants. Les enfants sont souvent attirés par la souffleuse et le travail de soufflage des feuilles.
- Maintenez les enfants à l'écart de la zone de travail et sous la surveillance d'un adulte responsable.
- Ne présumez jamais que les enfants demeureront à l'endroit où vous les avez vus la dernière fois.
- Soyez vigilant et arrêtez la souffleuse à l'approche d'enfants dans la zone de travail.
- Avant et pendant que vous reculez, regardez derrière et vers le sol pour détecter la présence d'enfants.
- Ne permettez jamais à des enfants d'utiliser la souffleuse.
- Soyez particulièrement prudent en utilisant l'unité près d'angles morts, arbustes, arbres ou autres objets pouvant bloquer votre vision.

# Spécifications

• *Conservez toutes les instructions.*

Poids de l'unité . . . . . 60 lb. (27kg)  
Profondeurs de coupe . . . . . 0-2.5 in. (0-63 mm)  
Diamètre de lame . . . . . 9 in. (228 mm), 3 point  
Type d'essence . . . . . Régulière sans plomb – indice d'octane de 87 (min.)  
Capacité d'essence . . . . . 1.7 qt. (1.6L)  
Type d'huile (API SG-SL) . . . . . 10W-30 est recommandée pour toutes les températures de service. Consultez la page 7 pour plus d'information.  
Capacité d'huile . . . . . 12 oz (355 ml)  
Modèle de bougie d'allumage . . . . . Torch E7RTC

Écartement d'électrode de bougie d'allumage . . . . . 0.024-0.028 in. (0.6-0.7 mm)  
Type de moteur . . . . . 4 temps - à soupapes en tête  
Cylindrée . . . . . 79cc  
TOURS/MINUTE . . . . . 3600 RPM  
Couple nominal . . . . . Couple de 4.2 Nm / 3.1 pi-lb, selon SAE J1940  
Diamètre d'alésage x Course de piston . . . . . 2.03X1.50 in. (51.6X38 mm)  
Jeu – Soupape d'admission . . . . . 0.0079-0.0098 in.(0.20-0.25 mm)  
Jeu – Soupape d'échappement . . . . . 0.0098-0.012 in. (0.25-0.30mm)  
Angle d'allumage . . . . . 25 Degrés

## Pièces et caractéristiques

- 1. Levier de Démarrage** - Levier sur le guidon permettant au moteur de fonctionner. Lorsque le levier est relâché, le moteur s'arrêtera.
- 2. Contrôle D'étrangleur** - Restreint l'entrée d'air. Permet un mélange enrichi de carburant / comburant, facilitant le démarrage du moteur.
- 3. Silencieux** - Emplacement de l'échappement du moteur.
- 4. Roue Arrière Réglable** - La roue arrière droite est réglable, pour mettre de niveau le coupe-bordure, le long d'une bordure (saute-bordure).
- 5. Roue Avant Réglable** - La roue avant est réglable d'un côté à l'autre, pour maintenir l'équilibre. La roue avant peut également se régler vers le bas pour procéder au saute-bordure.
- 6. Poignée de Lanceur à Rappel** - Le moteur est équipé d'un lanceur à rappel facile à tirer.
- 7. Levier Directeur** - Permet de régler l'angle de coupe à 15 degrés, 0 degré (vertical) ou -15 degrés. Pour modifier l'angle, tirez sur le levier directeur et installez l'arbre dans la rainure à l'angle désiré.
- 8. Lame** - Élément rotatif de coupe.
- 9. Protege-Lame** - Empêche la propulsion de roches et de débris vers l'opérateur.
- 10. Bougie D'allumage / Câble de Bougie D'allumage** - Procure l'étincelle servant à allumer le mélange d'air/carburant. Le câble de bougie d'allumage doit être débranché et déplacé à l'écart de la bougie, en faisant l'entretien de l'unité.
- 11. Filtre à Air** - Retire les débris et les contaminants de l'entrée d'air, permettant ainsi au moteur de rouler en douceur et à basse teneur d'émissions.
- 12. Plaque de Sélection de Profondeur**
- 13. Levier de Contrôle de Profondeur**
- 14. Tige de Contrôle** - Utilisée pour contrôler la profondeur de coupe.
- 15. Bornes de Câble de Mise à la Terre** - Doivent être branchés pour que le levier de démarrage puisse fonctionner.

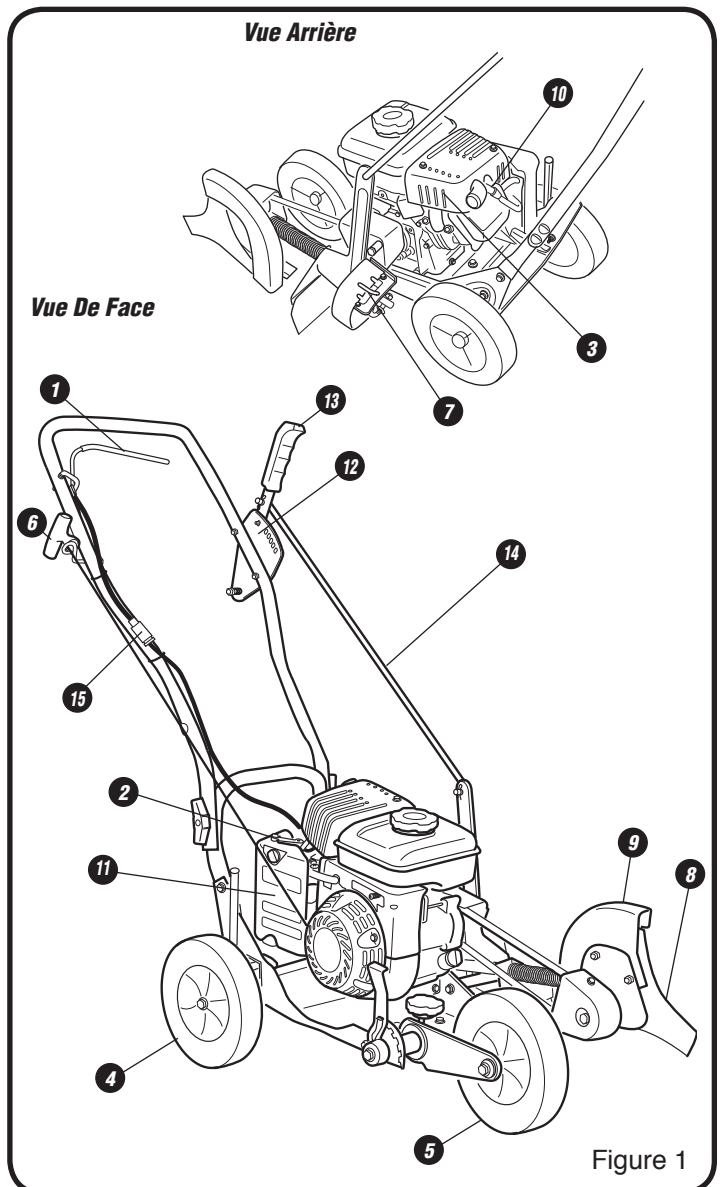


Figure 1



# Assemblage

• **Conservez toutes les instructions.**



Si vous avez besoin d'assistance ou devez trouver des pièces manquantes, **APPELEZ SANS FRAIS : 1-800-737-2112.**

Veillez lire et suivre les directives d'assemblage. Ne jetez aucune pièce ou matériau jusqu'à ce que l'assemblage ne soit complété. Les références faites à la droite ou à la gauche de la souffeuse représentent le point de vue de la position de l'opérateur, lorsqu'il est placé derrière la souffeuse.

## **A** AVERTISSEMENT

N'opérez pas le coupe-bordure s'il est endommagé ou non complètement ou correctement assemblé. Avant de procéder à l'assemblage ou à l'entretien de l'unité, retirez le câble de la bougie d'allumage. Portez toujours des lunettes de sécurité conformes à ANSI, munies de protecteurs latéraux, durant l'assemblage du coupe-bordure.

Vous trouverez les composants suivants dans la boîte. Les quantités sont indiquées dans les ( ).

1. (1) Coupe-bordure
2. (1) Manuel de l'utilisateur du coupe-bordure
3. (1) Guidon supérieur
4. (1) Tige de contrôle
5. (1) Contenant d'huile à moteur
6. (1) Sac de pièces contenant les articles suivants :
  - (2) Goupilles de sécurité
  - (2) Écrous-papillon en plastique (M8)
  - (2) Boulons M8 x 35 mm
  - (1) Attache métallique

**REMARQUE :** Les fixations utilisées pour attacher les roues seront légèrement assemblées sur l'unité ou fournies dans un sac en plastique séparé, en fonction du modèle. Voir les instructions d'assemblage.

## **A** Comment retirer le coupe-bordure de l'emballage

1. Retirez toutes les pièces et les composants d'emballage.
2. Utilisez un couteau universel pour couper les 4 rebords verticaux et de déposer les panneaux latéraux à plat autour de la souffeuse.

3. Retirez tout l'excédent d'emballage.
4. Faites rouler l'unité hors du carton et placez-le sur une surface dure et unie.

## **B** Comment assembler le guidon

**REMARQUE:** Référez à la Figure 2, lorsque vous suivez les étapes suivantes :

1. Assemblez le guidon supérieur au guidon inférieur, à l'aide des (2) boulons et des (2) écrous-papillon en plastique. Resserrez fermement à la main les écrous-papillon.
2. Glissez une extrémité de la tige de contrôle dans l'orifice du levier de contrôle de profondeur. Fixez en place à l'aide d'une goupille de sécurité.
3. Glissez l'autre extrémité de la tige de contrôle dans l'orifice du bras de l'arbre. Fixez en place à l'aide de la seconde goupille de sécurité.
4. Fixez la poignée du lanceur à rappel dans le guide de la corde, en la tournant en position.
5. Retirez le capuchon temporaire de la borne du câble de mise à la terre du moteur.
6. Unissez les câbles de mise à la terre du moteur et du guidon. Utilisez l'attache métallique pour fixer le câble au guidon.

## **A** AVERTISSEMENT

Les câbles de mise à la terre **DOIVENT** être branchés, pour assurer un fonctionnement adéquat du moteur. Le défaut de les brancher pourrait causer de graves blessures.

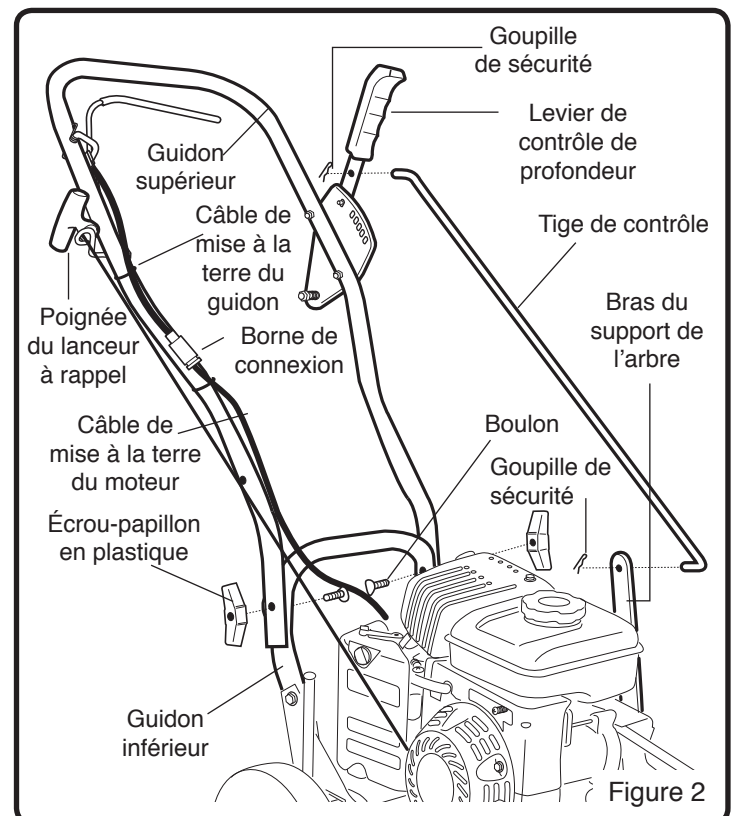


Figure 2

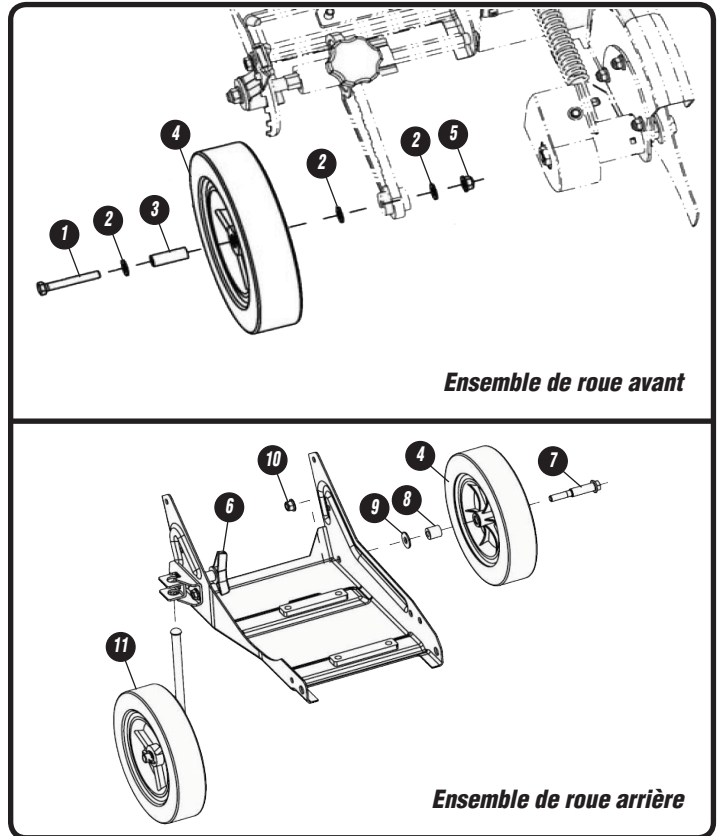


# Assemblage (Suite)

• Conservez ces directives

## **C** Comment Assembler les Roues

1. Assemblage de la roue arrière
  - a. Desserrez le bouton (6)
  - b. En vous servant de la roue et de la tige (11), insérez la tige dans le support et réglez-la en position souhaitée.
  - c. Serrage du bouton (6)
2. Roue arrière gauche
  - a. Installez à l'aide du boulon à épaulement (7), de la roue (4), du manchon (8) et de la rondelle (9)
  - b. Fixez solidement avec un écrou à embase M10 (10)
3. Roue avant
  - a. Installez du côté droit du bras avant à l'aide du boulon (1), de la rondelle M8 (2), du manchon (3), de la roue (4) et de la rondelle (2).
  - b. Fixez solidement avec la rondelle (2) et l'écrou M8 (5).



# Préparation du moteur

• Conservez toutes les instructions.

## **A** Huile à moteur

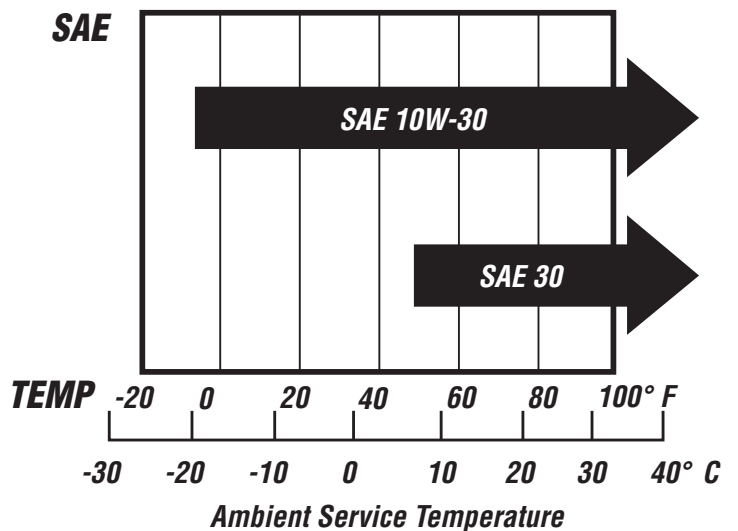
### AVIS

Le moteur est expédié sans huile. Le défaut d'ajouter de l'huile causera de sérieux dommages au moteur.

Une bouteille d'huile à moteur est incluse avec votre souffleuse. Veuillez référer à la Figure 3 pour connaître les types alternatifs d'huile à utiliser selon les différentes températures. Utilisez toujours une huile détergente classifiée «Pour Service, SG, SH, SJ» ou plus élevé. N'utilisez pas d'additifs spéciaux.

Utilisez toujours le type d'huile recommandé. L'usage d'huile souillée ou un type d'huile inapproprié telle l'huile à moteur 2 temps, raccourcira la vie du moteur.

**REMARQUE :** La capacité d'huile du moteur est de 355 ml (12 oz).



# Préparation du moteur (Suite)

• Conservez toutes les instructions.

## **B** Comment vérifier le niveau d'huile et remplir au niveau approprié

### **⚠ AVERTISSEMENT**

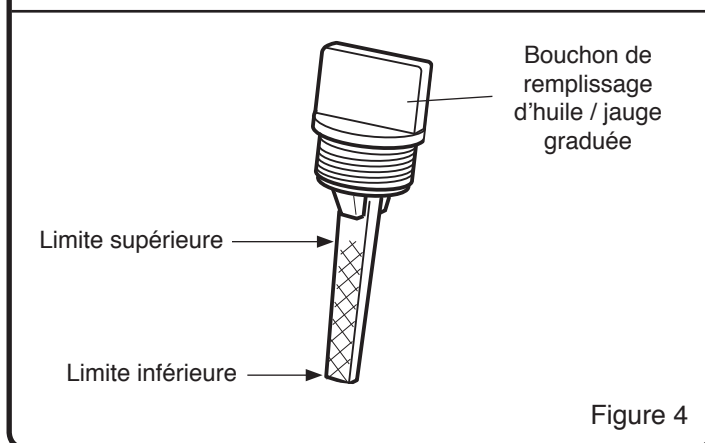
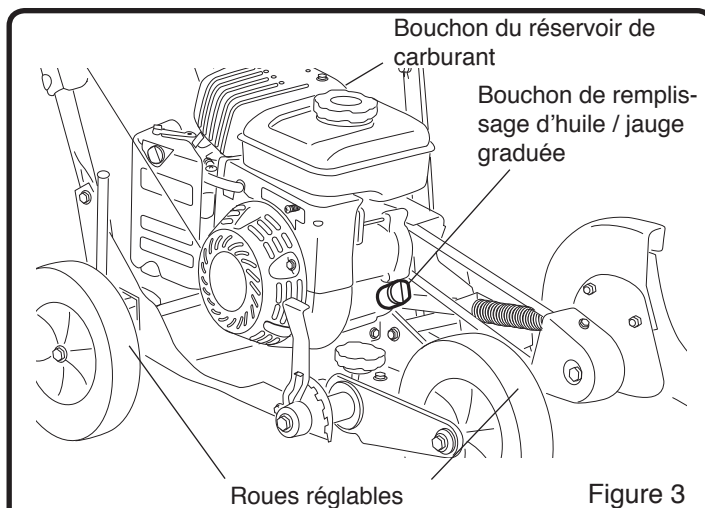
Avant de vérifier l'huile, assurez-vous que le moteur est arrêté et que le câble de la bougie d'allumage est bien débranché de la bougie d'allumage.

1. Placez le coupe-bordure sur une surface nivelée et assurez-vous que la hauteur réglable des roues est telle que la structure principale du coupe-bordure est de niveau. (Voir Figure 3)
2. Retirez le bouchon de remplissage d'huile / jauge graduée et essuyez à l'aide d'un chiffon propre. (Voir Figure 3)
3. Insérez la jauge dans l'ouverture de remplissage mais ne la vissez PAS. Retirez la jauge et vérifiez le niveau d'huile.
4. Lorsque le niveau d'huile est plein, l'huile sera située à la limite supérieure de la jauge graduée. Si le niveau d'huile est situé près de ou sous la limite inférieure, il faut ajouter de l'huile. (Voir Figure 4)
5. Ajoutez lentement de l'huile, jusqu'à ce que le niveau d'huile atteigne la limite supérieure de la jauge graduée. Utilisez un entonnoir ou une buse pour réduire les déversements.

### **AVIS**

Vérifiez fréquemment le niveau d'huile durant le remplissage. NE PAS TROP REMPLIR. NE PAS REMPLIR INSUFFISAMMENT. Faire fonctionner le moteur à un niveau d'huile inapproprié peut sérieusement endommager le moteur.

6. Remplacez et resserrez la jauge graduée.
7. Nettoyez tout déversement d'huile.



# Préparation du moteur (Suite)

• Conservez toutes les instructions.

## **C** Carburant

### **⚠ AVERTISSEMENT**

L'essence est extrêmement inflammable et les vapeurs peuvent exploser si elles s'enflamment. Manipulez avec soin.

Utilisez de l'essence fraîche sans plomb à indice d'octane de 87 ou plus. N'utilisez pas d'essence à teneur en éthanol supérieure à 10 %. Il est préférable d'utiliser un carburant sans éthanol. Nous recommandons l'utilisation continue d'un additif/stabilisateur de carburant pour contrebalancer les effets de l'éthanol. Ces additifs prolongent également la durée de vie de l'essence.

### **AVIS**

L'usage d'un type de carburant inapproprié ou contaminé provoquera de sérieux dommages au moteur.

**REMARQUE :** Capacité du réservoir de carburant – approx. 1,6 litres (1.69 pintes US)

## **COMMENT REMPLIR LE MOTEUR D'ESSENCE**

### **⚠ AVERTISSEMENT**

Arrêtez le moteur et laissez-le refroidir pendant plusieurs minutes, avant de retirer le bouchon et d'ajouter du carburant. Ne remplissez jamais un réservoir de carburant à l'intérieur. Ne fumez pas en faisant le plein de carburant.

1. Nettoyez la surface autour du bouchon du réservoir de carburant, pour prévenir les contaminations. (Voir Figure 3)
2. Relâchez lentement le bouchon du réservoir de carburant. Par la suite, placez-le sur une surface propre.
3. Versez le carburant dans le réservoir. Prenez soin d'éviter les déversements.

Ne PAS TROP REMPLIR de carburant. Laissez un certain espace pour permettre l'expansion du carburant, due à la chaleur du moteur et/ou du soleil.

4. Avant de replacer le bouchon du réservoir de carburant, inspectez et nettoyez le joint du bouchon.
5. Remplacez le bouchon du réservoir de carburant et resserrez-le à la main.
6. Nettoyez tout déversement de carburant.

# Fonctionnement

• Conservez toutes les instructions.

## **A** Avant de démarrer le moteur

### **⚠ AVERTISSEMENT**

Avant de démarrer le moteur, lisez le manuel de l'utilisateur. Familiarisez-vous avec l'emplacement et le fonctionnement de tous les contrôles. Apprenez à arrêter le moteur rapidement.

### **⚠ AVERTISSEMENT**

Avant de démarrer le moteur, assurez-vous que les câbles de mise à la terre sont bien branchés.

Avant de procéder au démarrage du moteur, révisez les étapes suivantes :

1. L'unité a été assemblée selon toutes les directives d'assemblage.
2. Les câbles de mise à la terre sont bien branchés.
3. L'unité a été inspectée pour détecter tout dommage ou pièces manquantes.
4. Il ne reste aucune pièce dans la boîte.

5. L'huile du moteur est au niveau approprié.
6. Le réservoir de carburant a été rempli d'essence régulière sans plomb, fraîche et propre.
7. Le câble de la bougie d'allumage est connecté à la bougie d'allumage.
8. Le coupe-bordure a été déplacé à l'emplacement désiré.
9. Le coupe-bordure se trouve sur une surface nivelée.

### **⚠ AVERTISSEMENT**

Durant le fonctionnement maintenez à l'écart tous les spectateurs et tout spécialement les ENFANTS.

**IMPORTANT :** Le système d'échappement du moteur de l'unité est équipé d'un silencieux avec pare-étincelles. Le fait de trafiquer ou de retirer le pare-étincelles contrevient à la section 4442 du code "California Public Resources Code", ainsi qu'à d'autres lois fédérales et d'état applicables.

# Fonctionnement

• Conservez toutes les instructions.

**B**

**Comment démarrer le moteur**

## **⚠ DANGER**

Ne faites jamais fonctionner le moteur à l'intérieur ou dans un espace mal ventilé. Les gaz d'échappement contiennent du monoxyde de carbone, un gaz INODORE ET MORTEL.

## **⚠ AVERTISSEMENT**

Des débris projetés du coupe-bordure peuvent causer de sérieux dommages oculaires. Assurez-vous de toujours porter des lunettes de sécurité conformes à ANSI ou des lunettes de sécurité avec protecteurs, durant l'utilisation. Si vous portez déjà des lunettes, placez un masque facial à champ de vision élargie certifié OSHA, par-dessus vos lunettes.

1. Réviser TOUTES les étapes de la section « AVANT DE DÉMARRER LE MOTEUR ».
2. Placez le levier de contrôle de profondeur en position de départ. (Voir Figure 6)
3. Tournez l'étrangleur vers la position "Choke". (Voir Figure 5)

**REMARQUE:** Non requis en démarrant à nouveau un moteur chaud.

4. De la main gauche, empoignez fermement le guidon du coupe-bordure, en appuyant le levier de démarrage contre le guidon. (Voir Figure 6)

**REMARQUE:** Le moteur ne démarrera pas si le levier de démarrage n'est pas appuyé contre le guidon.

5. Saisissez fermement la poignée du lanceur à rappel de la main droite. (Voir Figure 6)
6. Tirez lentement le lanceur à rappel, jusqu'à ce que vous sentiez une tension dans le cordon. Par la suite, tirez rapidement la poignée du lanceur à rappel, pour dérouler complètement le cordon de lancement. Ne laissez PAS le cordon se rembobiner rapidement. Laissez le cordon de lancement se rembobiner lentement.
7. Après le démarrage du moteur, attendez de 2 à 5 secondes et retournez l'étrangleur vers la position en marche "RUN".
8. Si le moteur ne démarre toujours pas après 5 ou 6 tentatives additionnelles, consultez les directives dans le "Tableau de dépannage".

## **⚠ AVERTISSEMENT**

Maintenez les mains, pieds, cheveux et vêtements amples, à l'écart de toute pièce mobile. Évitez de toucher au silencieux et aux zones avoisinantes – les températures peuvent excéder 65°C / 150°F. Maintenez tous les dispositifs de protection et autres articles de sécurité en place.

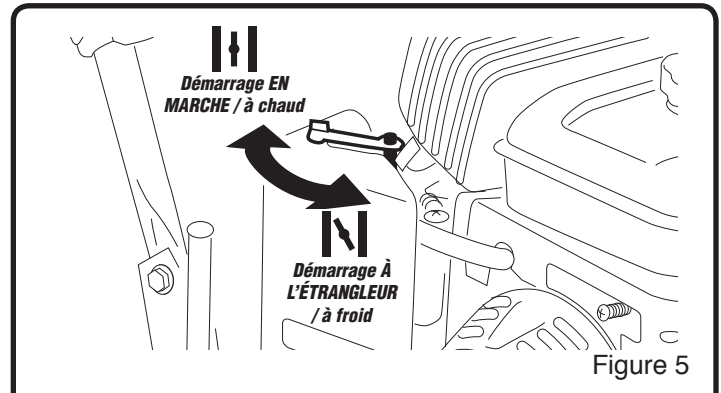


Figure 5

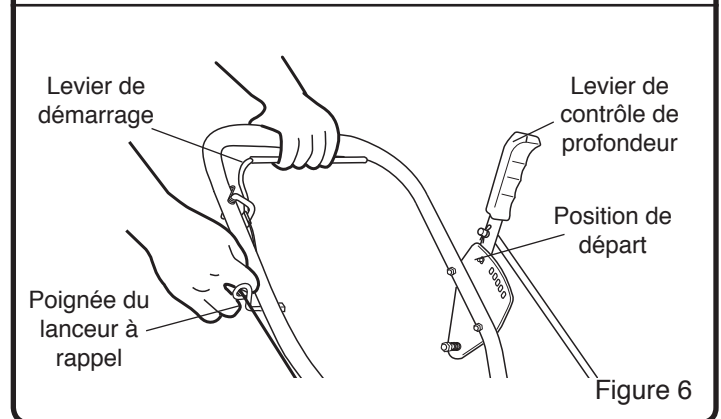


Figure 6

# Fonctionnement (Suite)

• Conservez toutes les instructions.

## **C** Comment arrêter le coupe-bordure

Relâchez le levier de démarrage (Consulter Figure 6). Ceci provoquera un arrêt du moteur, à travers le câble de mise à la terre.

## **⚠** AVERTISSEMENT

Les connexions de mise à la terre doivent être solidement branchées, pour assurer le fonctionnement du levier de démarrage. Référez à la section "Comment assembler le guidon".

## **D** Comment modifier la profondeur de coupe du coupe-bordure

Déplacez le levier de contrôle de la profondeur vers l'avant, pour en augmenter la profondeur. (Voir Figure 7)

**REMARQUE :** Il y a 5 réglages de profondeur - à partir du niveau du sol jusqu'à approx. 63 mm / 2.5 po de profondeur.

## **AVIS**

Ne surchargez pas la capacité du coupe-bordure, en tentant une introduction trop profonde et à un rythme trop rapide. Pour obtenir un accès plus profond, procédez d'abord moins profondément et répétez l'opération plusieurs fois.

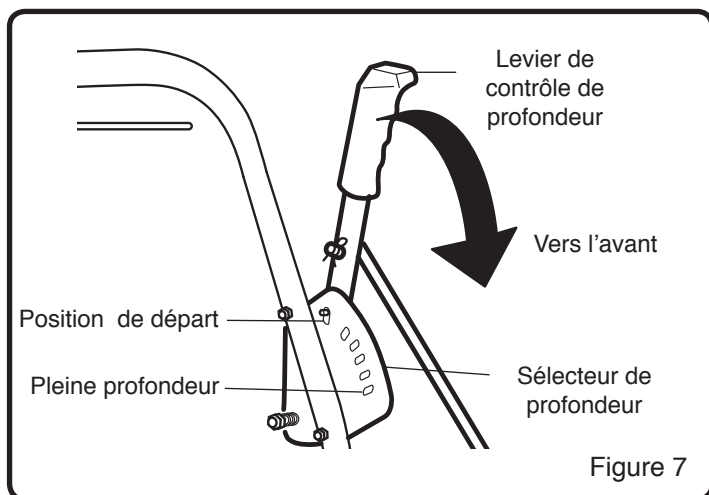


Figure 7

## **E** Comment changer l'angle de la lame pour obtenir un angle biseauté

Il est possible de changer l'angle de la lame de 15 degrés de la position verticale (dans les deux sens), pour obtenir une coupe biseautée, permettant de couper la pelouse plus loin du trottoir ou de l'entrée et ainsi réduire la fréquence de coupe. L'utilisation d'une coupe biseautée et profonde formera une tranchée dans le sol.

1. Arrêtez le moteur.
2. Débranchez le câble de la bougie d'allumage.
3. Désengagez le levier directeur (Voir Figure 8). Déplacez le levier directeur vers l'encoche désirée (15, 0 ou -15 degrés).
4. Avant de démarrer le moteur, alignez le coupe-bordure, comme pour faire une coupe biseautée.

## **AVIS**

Ne surchargez pas la capacité de déligneuse en tentant de bord trop profonde à une vitesse trop rapide. À bord à des réglages plus profonds, effectuer plusieurs passages, coupant tout d'abord à de faibles profondeurs.

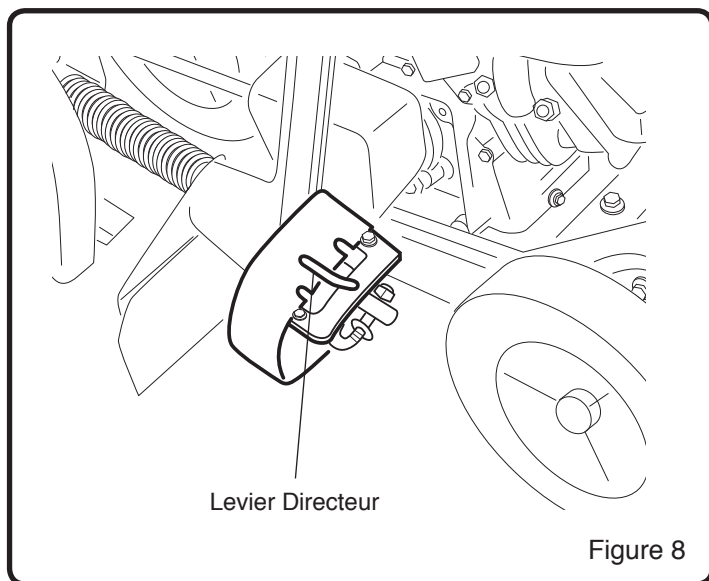


Figure 8

# Fonctionnement (Suite)

• Conservez toutes les instructions.

## **F** Comment couper le long d'une bordure

**REMARQUE:** La hauteur de la roue avant et de la roue arrière droite peut être réglée pour permettre de couper le long d'une bordure.

La Figure 9 illustre la configuration appropriée de l'unité pour couper le long d'une bordure. Référez à la Figure 9, en observant les étapes suivantes :

1. Arrêtez le moteur.
2. Débranchez le câble de la bougie d'allumage.
3. Desserrez le bouton de la roue avant.
4. Glissez la roue vers la droite, pour suffisamment dégager la bordure et conserver l'équilibre de l'unité.
5. Resserrez solidement le bouton de la roue avant.
6. Utilisez le levier de réglage de la roue avant, pour abaisser suffisamment la roue avant et s'assurer du niveau de l'unité.
7. Desserrez le bouton de la roue arrière.
8. Abaissez suffisamment la roue arrière droite, pour s'assurer du niveau de l'unité.
9. Resserrez fermement le bouton de la roue arrière.

### **⚠ AVERTISSEMENT**

En coupant le long d'une bordure, assurez-vous de faire preuve d'extrême prudence, que l'unité est bien équilibrée et de votre prise de pied. Soyez vigilants pour le trafic et les autres risques.

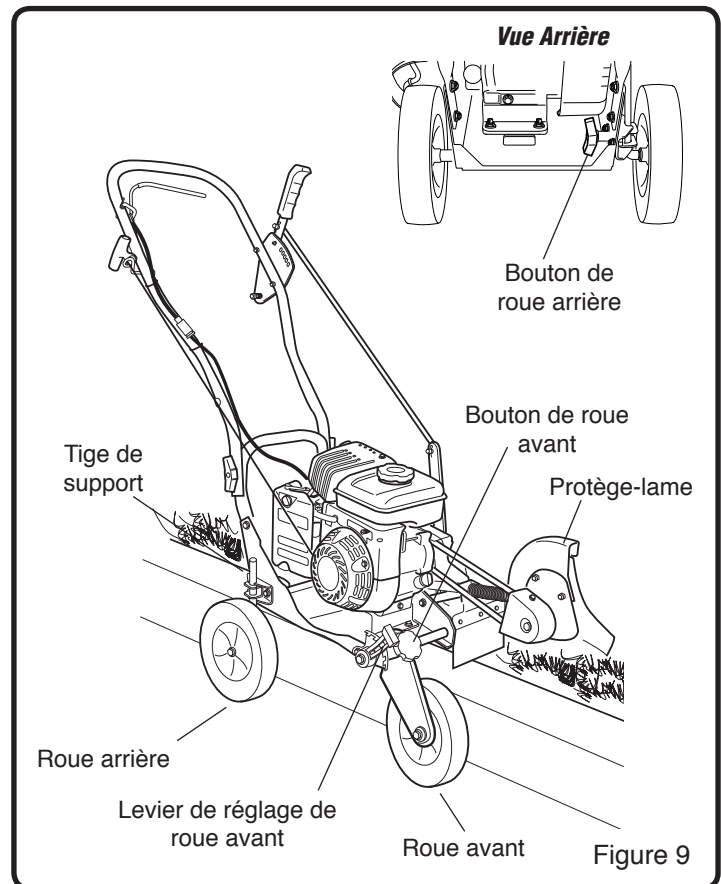
### **Conseils de Coupe**

### **⚠ AVERTISSEMENT**

Lisez le manuel de l'utilisateur. Assurez-vous de connaître l'emplacement et le fonctionnement de tous les contrôles. Maintenez tous les dispositifs de protection et de sécurité en place. Ne permettez jamais à des enfants ou à des adultes non formés, d'utiliser l'unité. Maintenez les spectateurs à l'écart de cet appareil. Tenez-vous à l'écart de la lame et de toutes les pièces rotatives, pouvant causer des blessures

- Ce travail sera mieux accompli sous des conditions sèches. Si le sol est trop mouillé, la terre s'accumulera autour de la lame et provoquera une usure prématurée de la courroie et un rendement déficient.
- S'il y a une quantité de terre s'accumule autour de la lame, arrêtez le moteur et retirez le câble de la bougie d'allumage. Retirez la terre et les débris accumulés sur la lame.

- Pour une coupe profonde, procédez d'abord par des coupes peu profondes. Par la suite, coupez plus profondément jusqu'à la profondeur désirée.
- Les coupes effectuées peuvent être personnalisées, en modifiant le nombre de passages et la distance entre la lame et le rebord du trottoir, de l'entrée ou de la bordure.





# Entretien

• Conservez toutes les instructions.

## A Calendrier d'entretien

### ⚠ AVERTISSEMENT

Avant de procéder à tout entretien, fermez le moteur et débranchez le câble de la bougie d'allumage, pour prévenir tout démarrage accidentel et de sérieuses blessures.

**IMPORTANT : La garantie touchant cette souffleuse ne couvre pas les articles soumis à un abus ou négligence de l'utilisateur. Pour bénéficier de la pleine valeur de la garantie, l'utilisateur doit entretenir la souffleuse tel que prescrit dans ce manuel et utiliser seulement des pièces de rechange originales. Le tableau suivant énumère l'entretien périodique requis. *ucted in this manual, and only use genuine replacement parts. The following table lists required periodic maintenance.***

### CALENDRIER D'ENTRETIEN PÉRIODIQUE

Enregistrement de service d'entretien - Consignez les dates à mesure que le service est complété	Avant chaque usage	Après chaque période d'usage de 10 heures	Après chaque période d'usage de 25 heures	Après chaque période d'usage de 50 heures	Après chaque période d'usage de 100 heures	Avant chaque saison	Avant le rangement	Consul- tez la remarque plus bas
Vérifier le niveau d'huile du moteur Remplir au niveau approprié	✓					✓		
Vérifiez les connexions des DEUX prises de mise à la terre	✓					✓		
Nettoyer les débris de l'unité	✓					✓	✓	
Lubrifier tous les points de pivot		✓				✓	✓	
Vérifier le serrage des attaches		✓				✓		<b>1</b>
Vérifiez la courroie d'entraînement Remplacez si nécessaire		✓				✓		
Vérifiez la lame pour les dommages Remplacez si nécessaire		✓				✓		
Vérifiez le conduit de carburant Remplacez si nécessaire			✓			✓		
Lubrifier les essieux de roue			✓			✓	✓	
Vérifier la bougie d'allumage Remplacez si nécessaire			✓			✓		
Changer l'huile du moteur				✓		✓	✓	<b>2,3</b>
Nettoyer le filtre à air Remplacez si nécessaire			✓			✓		<b>4</b>
Remplacer la bougie d'allumage					✓			
Nettoyer les dépôts de combustion du cylindre, piston et soupape					✓			

### ⚠ MISE EN GARDE

#### IMPORTANT (Remarques au sujet du calendrier d'entretien)

1. Revérifiez le serrage des attaches, après les 2 premières heures de l'usage initial.
2. Changez l'huile du moteur après les 5-8 premières heures de l'usage initial.
3. Changez l'huile à chaque 25 heures, si le travail s'effectue dans des conditions poussiéreuses ou à des températures élevées.
4. Nettoyez le filtre à air à chaque période de 10 heures. si le travail s'effectue dans des conditions plus poussiéreuses.

### ⚠ AVERTISSEMENT

N'utilisez que des pièces de rechange ORIGINALES. D'autres pièces pourraient endommager l'unité ou causer des blessures.

Questions? Appelez sans frais à : 1-800-737-2112

FR - 14

Copyright © 2018 MAT Engine Technologies, LLC

# Entretien (Suite)

• Conservez toutes les instructions.

## **B** Lubrification

Ajoutez une petite quantité d'huile à moteur pour lubrifier les pièces et les points de pivot. Veuillez référer au "Calendrier d'entretien périodique" pour connaître les intervalles de temps pour la lubrification des pièces.

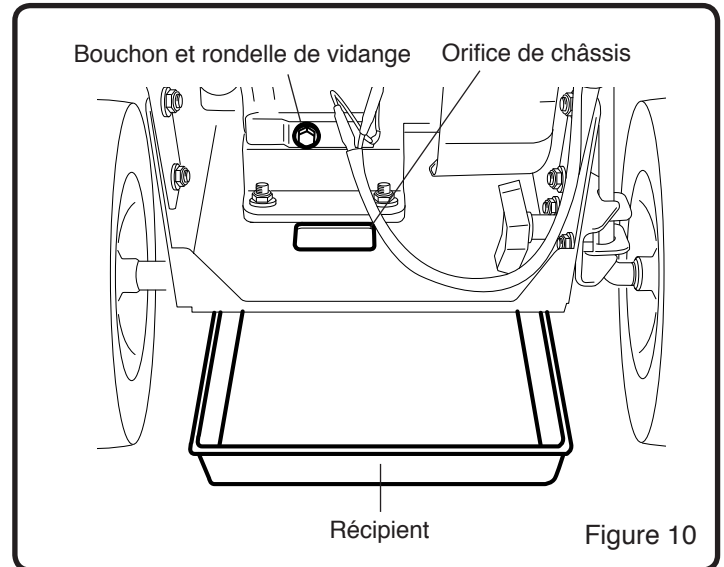
## **C** Comment changer l'huile à moteur

**REMARQUE :** Référez à la Figure 10 en suivant les étapes suivantes :

1. Arrêtez le moteur et laissez-le refroidir.
2. Débranchez le câble de la bougie d'allumage.
3. Soulevez la partie avant de l'unité, en abaissant la hauteur de la roue avant. Veuillez référer à *Comment couper le long d'une bordure*.
4. Insérez un récipient plat sous la souffleuse, directement sous le bouchon de vidange d'huile et l'orifice du châssis.
5. Retirez la jauge graduée. (Voir Figure 3)
6. Retirez le bouchon de vidange d'huile et la rondelle.
7. Laissez toute l'huile se drainer à travers l'orifice du châssis vers le récipient.

**IMPORTANT :** L'huile souillée est un déchet dangereux. Placez l'huile dans un récipient scellé et confiez-le à votre centre local de recyclage. Ne le jetez PAS dans les ordures ménagères.

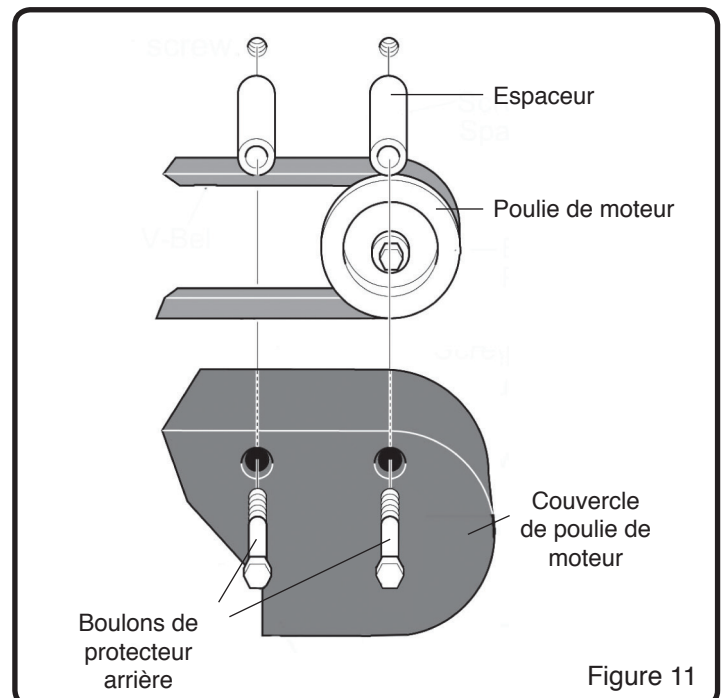
8. Remplacez et resserrez le bouchon de vidange d'huile et la rondelle.
9. Pour remplir le moteur d'huile, consultez la section de *Préparation du moteur* comment vérifier le niveau d'huile et remplir au niveau approprié.



## **D** Comment remplacer la courroie

**IMPORTANT :** Utilisez uniquement une courroie de remplacement du fabricant. Pour commander des pièces de rechange, contactez-nous au 1-800-737-2112.

1. Débranchez le câble de la bougie d'allumage.
2. Pour faciliter le remplacement d'une courroie, retirez la tige de contrôle (Voir Figure 2). Cette procédure permettra à l'arbre de se tourner vers l'arrière et créer un mou dans la tension de la courroie.
3. Retirez les deux boulons de protecteur arrière, pour retirer le couvercle de la poulie du moteur. (Voir Figure 11)



# Entretien (Suite)

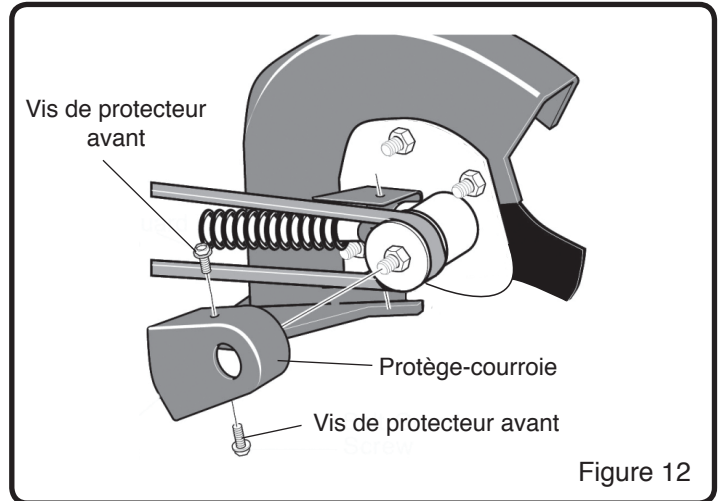
• Conservez toutes les instructions.

## E Comment remplacer la courroie (Suite)

4. Retirez les deux vis de protecteur avant et le protège-courroie. (Voir Figure 12)
5. Retirez la vieille courroie du moteur et les poulies de l'arbre.
6. Pour installer une courroie de remplacement du fabricant, inversez les étapes précédentes.

**REMARQUE :** Les boulons du protecteur arrière devraient être resserrés à 18-22 Nm.

**REMARQUE :** Les vis du protecteur avant devraient être resserrées à 6-8 Nm.



## F Comment changer une lame

### ⚠ AVERTISSEMENT

N'affûtez pas la lame. Une telle procédure pourrait endommager la lame et en provoquer le bris, pouvant provoquer des blessures à vous-même et à d'autres personnes.

La lame est sujette aux rayures, égratignures et bosselures, n'affectant généralement pas le fonctionnement. La lame est également sujette à l'usure, réduisant la profondeur de la coupe. Remplacez une lame usée en suivant ces étapes :

**IMPORTANT :** Utilisez seulement une lame de remplacement du fabricant. Pour commander des pièces de rechange, contactez-nous au 1-800-737-2112.

**REMARQUE :** Remplacer une lame requiert deux (2) clés réglables de 30,5 cm /12 po ou deux (2) clés de 19 mm / 3/4 po.

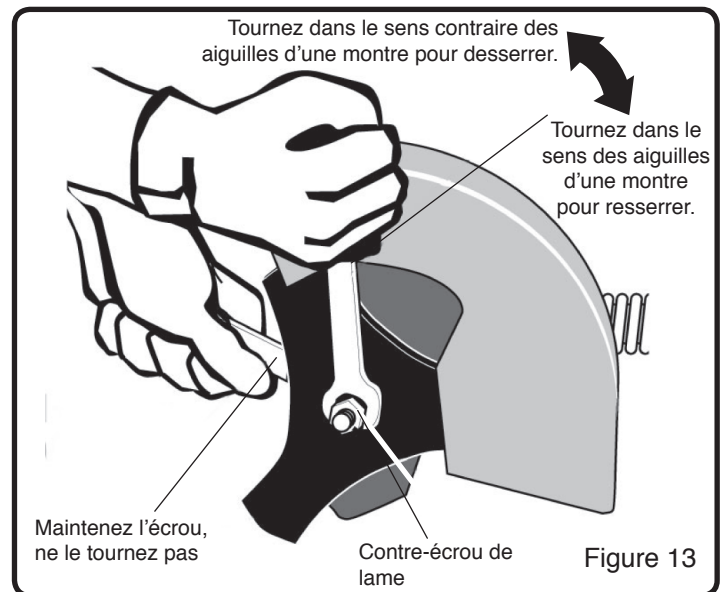
1. Arrêtez le moteur.
2. Débranchez le câble de la bougie d'allumage.
3. Retirez le contre-écrou de la lame, maintenant en place la lame sur l'arbre d'entraînement. (Voir Figure 13)

### ⚠ AVERTISSEMENT

Pour retirer ou resserrer le contre-écrou de lame, utilisez toujours la méthode en illustration à la Figure 13. Placez toujours la clé de support sur l'écrou, situé à la partie arrière de la lame.

4. Retirez la lame.
5. Remplacez-la à l'aide de la nouvelle lame du fabricant, en inversant les étapes précédentes.

**REMARQUE :** Resserrez le contre-écrou de la lame à 47-61 Nm.



# Entretien (Suite)

• Conservez toutes les instructions.

## **G** Comment changer le filtre à air

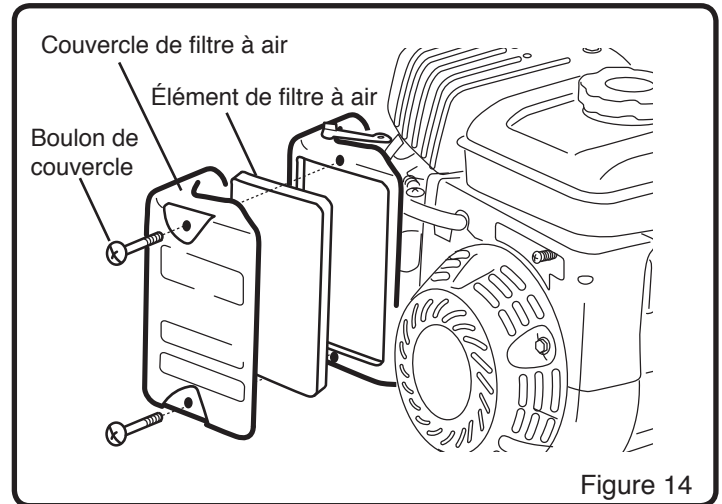
Un filtre à air souillé empêchera une admission d'air adéquate. Un entretien régulier du filtre à air améliorera le rendement du moteur et réduira les émissions.

### **⚠ AVERTISSEMENT**

Ne nettoyez jamais le filtre à air à l'aide d'essence ou d'un dissolvant facilement inflammable; une telle situation pourrait créer un danger d'incendie.

**REMARQUE :** Référez à la Figure 14 en suivant ces étapes :

1. Retirez les boulons du couvercle du filtre à air.
2. Retirez le couvercle du filtre à air.
3. Retirez avec soin l'élément du filtre à air, pour éviter l'entrée de poussière dans le carburateur.
4. Nettoyez toutes les pièces. Nettoyez l'élément du filtre à air, à l'aide d'un dissolvant ininflammable ou à point élevé d'inflammation. Laissez-le sécher complètement; trempez l'élément du filtre dans de l'huile propre et compressez l'excédent d'huile.
5. Réinstallez l'élément du filtre à air.
6. Remplacez le couvercle du filtre à air et resserrez les boulons.



## **H** Comment changer la bougie d'allumage

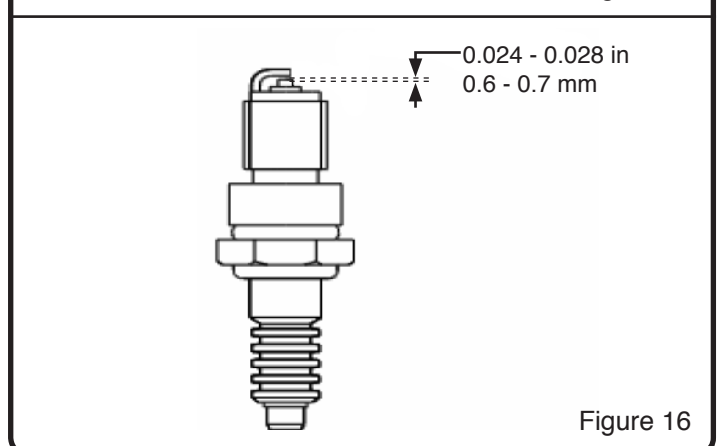
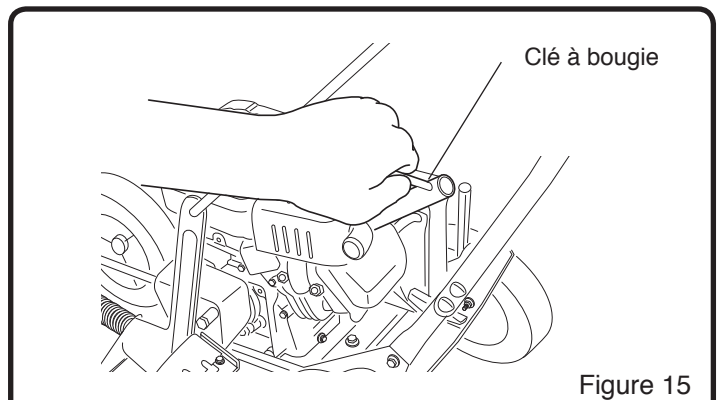
**Modèle de bougie d'allumage : Torch E7RTC**

### **⚠ MISE EN GARDE**

Utilisez uniquement la bougie d'allumage recommandée ou une bougie d'allumage possédant la même gamme de températures. L'usage d'une bougie d'allumage inappropriée, d'un écartement d'électrode incorrect ou d'une bougie d'allumage souillée / encrassée peut réduire le rendement du moteur et causer des dommages.

1. Arrêtez le moteur et laissez-le refroidir.
2. Débranchez le câble d'allumage de la bougie d'allumage. Retirez la bougie d'allumage (Voir Figure 15).
3. Inspectez visuellement la bougie d'allumage pour détecter la présence de fendillement ou de dommages. Si elle est fendillée, remplacez-la.
4. Nettoyez les dépôts de carbone. S'il y a une accumulation excessive de carbone, remplacez la bougie d'allumage.
5. Vérifiez que l'écartement de la bougie d'allumage mesure 0.6-0.7 mm (0.024-0.028 po). (Voir Figure 16)
6. Insérez à nouveau la bougie d'allumage et serrez-la à l'aide d'une clé et tige à bougie. (Voir la Figure 15)
7. Rebranchez le câble de la bougie d'allumage.

**REMARQUE :** Le couple de la bougie d'allumage est de 25-30 N-m (18-22 pi-lb).



# Entretien (Suite)

• Conservez toutes les instructions.

## I Comment se préparer pour le rangement

### ⚠ AVERTISSEMENT

Ne rangez jamais le coupe-bordure à l'intérieur avec du carburant dans le réservoir. Ne la rangez jamais dans un espace fermé et mal ventilé, où les vapeurs pourraient rejoindre une flamme nue, une étincelle ou une flamme pilote d'une fournaise, chauffe-eau ou sècheuse. Laissez le moteur refroidir avant de ranger l'unité.

### ⚠ AVERTISSEMENT

Ne retirez pas d'essence lorsque vous êtes dans un édifice, près d'un feu ou pendant que vous fumez. Les vapeurs d'essence peuvent causer une explosion ou un incendie.

**REMARQUE :** Une vérification ou une mise au point annuelle auprès d'un centre de service autorisé vous assurera que le coupe-bordure vous offrira un rendement maximum pour la saison prochaine.

Pour empêcher les dépôts de gomme d'essence et la corrosion dans le carburateur et le circuit de carburant de l'appareil, il est fortement recommandé d'utiliser un additif/stabilisateur de carburant conçu pour les carburants à l'éthanol. Suivez les instructions du fabricant du stabilisateur. Laissez tourner le moteur pendant au moins 5 minutes après avoir ajouté le stabilisateur.

Lorsque le coupe-bordure est rangé pour trente jours ou plus, les étapes suivantes devraient être observées, pour vous assurer que le coupe-bordure est en bonne condition pour la saison suivante.

1. Laissez le moteur rouler jusqu'à ce qu'il soit à bout d'essence. Retirez la vis du carburateur de la cuve

- et videz le carburant. Inclinez légèrement l'appareil pour vidanger tout le carburant. Remettez la vis en place.
2. Changez l'huile en suivant les directives dans la section *Comment changer l'huile à moteur*.
3. Retirez la bougie d'allumage du cylindre. Versez 30 ml (1 oz liq. US) d'huile dans le cylindre. Lentement, tirez la poignée du lanceur à rappel, de façon à ce que l'huile protège le cylindre. Installez une nouvelle bougie d'allumage dans le cylindre. Tirez lentement la poignée du lanceur à rappel à quelques reprises, pour distribuer l'huile. Tirez le lanceur à rappel jusqu'à ce qu'une pression soit ressentie. Cette procédure fermera les soupapes du cylindre.

### ⚠ AVERTISSEMENT

Ne fixez PAS le câble de la bougie d'allumage, lorsque vous rangez l'unité.

4. Nettoyez le coupe-bordure. Retirez toute la terre, feuilles, débris, graisse, etc. de l'unité – incluant les ailettes de refroidissement de cylindre, les orifices du couvercle du lanceur à rappel, surface sous le réservoir de combustible et sous le silencieux.
5. Vérifiez le coupe-bordure pour détecter la présence de pièces usées ou endommagées. Remplacez les pièces endommagées, si nécessaire.
6. Resserrez toute fixation desserrée.
7. Appliquez la lubrification, tel que recommandé dans la section d'entretien.
8. Placez l'unité dans un édifice possédant une ventilation adéquate.
9. Recouvrez le coupe-bordure d'un matériau respirant.

## Service technique

Vous pourriez avoir d'autres questions au sujet de l'assemblage, du fonctionnement ou de l'entretien de cette souffeuse. Si tel est le cas, veuillez contacter notre département de service technique au 1-800-737-2112 (Anglais seulement). Vous pouvez également nous écrire :

### **METL - CORRESPONDANCE SEULEMENT**

**ATT'N: Service technique – METL**

**6700 Wildlife Way**

**Long Grove, IL 60047**

### **En contactant le département de service technique, ayez en main:**

- Votre nom
- Votre adresse
- Votre numéro de téléphone
- Numéro de modèle du produit
- Date de l'achat (inclure une copie de votre reçu pour les demandes écrites)



**Si vous avez besoin d'assistance ou si vous avez des questions, APPELER SANS FRAIS : 1-800-737-2112.**



# Dépannage

• Conservez toutes les instructions.

PROBLÈME	CAUSE(S) POSSIBLE(S)	SOLUTION(S)
Moteur difficile à démarrer	<ol style="list-style-type: none"> <li>1. À court de carburant</li> <li>2. Le levier de démarrage n'est pas engagé</li> <li>3. L'étrangleur est en position "run/warm start" (démarrage en marche / à chaud)</li> <li>4. Câble de bougie d'allumage débranché</li> <li>5. Bougie d'allumage sale</li> <li>6. Carburateur souillé</li> <li>7. Filtre à air bouché</li> <li>8. Filtre à carburant bloqué</li> <li>9. Carburant contaminé</li> </ol>	<ol style="list-style-type: none"> <li>1. Ajoutez carburant frais</li> <li>2. Appuyez le levier de démarrage contre le guidon</li> <li>3. Dirigez l'étrangleur vers la position "choke / cold start" (démarrage à l'étrangleur / à froid)</li> <li>4. Branchez le câble de bougie d'allumage à la bougie d'allumage</li> <li>5. Retirez la bougie d'allumage. Inspectez-la. Remplacez-la au besoin</li> <li>6. Apportez l'unité à un centre de service autorisé pour un nettoyage du carburateur</li> <li>7. Retirez et nettoyez le filtre à air</li> <li>8. Retirez le filtre de carburant. Inspectez-le. Remplacez-le au besoin</li> <li>9. Drainez le réservoir de carburant. Nettoyez le réservoir de carburant. Remplissez de carburant frais</li> </ol>
<p><u>Problèmes de moteur</u>  Moteur émet une fumée excessive  Moteur roule de façon très irrégulière  Moteur a des ratés  Moteur ne peut maintenir sa pleine vitesse</p>	<ol style="list-style-type: none"> <li>1. Sans huile à moteur</li> <li>2. Huile à moteur – niveau inapproprié</li> <li>3. Bougie d'allumage encrassée</li> <li>4. Filtre à air bloqué</li> <li>5. Filtre à carburant bloqué</li> <li>6. Carburant contaminé</li> <li>7. Carburateur en besoin de réglage</li> <li>8. L'étrangleur est en position "choke / cold start" (démarrage à l'étrangleur / à froid)</li> </ol>	<ol style="list-style-type: none"> <li>1. Ajoutez de l'huile à moteur</li> <li>2. Vérifiez l'huile à moteur. Ajoutez ou drainez l'huile à moteur au besoin</li> <li>3. Retirez la bougie d'allumage. Inspectez-la. Remplacez-la au besoin</li> <li>4. Retirez et nettoyez le filtre à air</li> <li>5. Retirez le filtre de carburant. Inspectez-le. Remplacez-le au besoin</li> <li>6. Drainez le réservoir de carburant. Nettoyez le réservoir de carburant. Remplissez de carburant frais</li> <li>7. Apportez l'unité à un centre de service autorisé pour un réglage du carburateur</li> <li>8. Dirigez l'étrangleur vers la position "run / warm start" (démarrage en marche / à chaud)</li> </ol>
Vibration / bruit excessif	<ol style="list-style-type: none"> <li>1. Pièces desserrées</li> <li>2. Problèmes de moteur (haut)</li> </ol>	<ol style="list-style-type: none"> <li>1. Resserrez toutes les attaches</li> <li>2. Référez aux problèmes de moteur (haut)</li> </ol>
La lame ne tourne pas	<ol style="list-style-type: none"> <li>1. Interférence de débris avec la lame</li> <li>2. Lame desserrée</li> <li>3. Courroie desserrée</li> </ol>	<ol style="list-style-type: none"> <li>1. Retirez les débris se trouvant autour de la lame</li> <li>2. Resserrez les écrous de la lame</li> <li>3. Remplacez la courroie</li> </ol>
Moteur ne s'arrête pas	Connexions de mise à la terre débranchées	Branchez les connexions de câble de mise à la terre du guidon et du moteur
La lame ne coupe pas adéquatement	Lame endommagée ou usée	Remplacez la lame
Le moteur tombe en panne fréquemment	<ol style="list-style-type: none"> <li>1. Vitesse / profondeur de coupe excessive</li> <li>2. Problèmes de moteur (plus haut)</li> </ol>	<ol style="list-style-type: none"> <li>1. Coupez à un rythme modéré. Exécutez plusieurs passages</li> <li>2. Référez aux solutions pour le moteur (plus haut)</li> </ol>



# Garantie

• *Conservez toutes les instructions.*

## **A** Garantie limitée pour **COUPE-BORDURE Southland®**

Spécifiez toujours le numéro de modèle en contactant l'usine.

Nous nous réservons le droit de modifier ces spécifications en tout temps sans préavis. La seule garantie applicable est notre garantie régulière écrite. Nous n'offrons aucune autre garantie, expresse ou implicite. MAT Engine Technologies, LLC garantit que cette Coupe-Bordure et toute autre pièce constituante sera libre de tout défaut relatif aux matériaux et à la main-d'œuvre, pendant une période de deux ans (90 jours pour un usage commercial), à partir de la date du premier achat auprès d'un concessionnaire autorisé, à condition que le produit ait été entretenu et opéré adéquatement, selon les directives applicables. Cette garantie est accordée seulement à l'acheteur original au détail. Le contrat de vente ou la preuve d'achat doit être présentée au moment où une réclamation est faite au titre de la garantie. Cette garantie ne couvre pas un usage industriel ou de location; elle ne couvre pas non plus les pièces qui ne sont pas dans leur condition originale, due à l'usure normale ou des pièces qui sont défectueuses ou qui deviennent endommagées, suite à un mauvais usage, accident, manque d'entretien approprié, modification ou altération. Les frais de déplacement, maintenance, transport et autres frais additionnels associés aux réparations sous garantie ne sont pas remboursables sous cette garantie et demeurent la responsabilité du propriétaire. Dans la mesure autorisée par la loi de la juridiction régissant la vente de ce produit, cette garantie expresse exclut toutes les autres garanties expresses et limite la durée de toutes les garanties implicites, incluant les garanties de qualité marchande ou d'adaptation à un usage particulier à une période de deux ans, à partir de la date du premier achat et MAT Engine Technologies, LLC ne sera en aucun cas tenu responsable de quelque dommage que ce soit, incluant les dommages indirects, accessoires ou consécutifs. Certains états / provinces ne permettent la limitation de la durée d'une garantie implicite ou l'exclusion des dommages accessoires ou consécutifs ; ainsi les limitations ci-haut mentionnées pourraient ne pas s'appliquer envers vous. Cette garantie confère à l'acheteur original des droits juridiques spécifiques.

Pour obtenir plus d'information au sujet de ces droits, veuillez consulter les lois applicables selon l'état / province.

**METL - CORRESPONDANCE SEULEMENT**  
**ATT'N: Service technique- METL**  
**6700 Wildlife Way**  
**Long Grove, IL 60047**

La garantie du système de contrôle des émissions est fournie par le fabricant du moteur et est incluse avec ce produit et administrée par MAT Engine Technologies, LLC.

***Si vous avez des questions au sujet de la couverture de votre garantie, vous devriez contacter le service à la clientèle de METL***



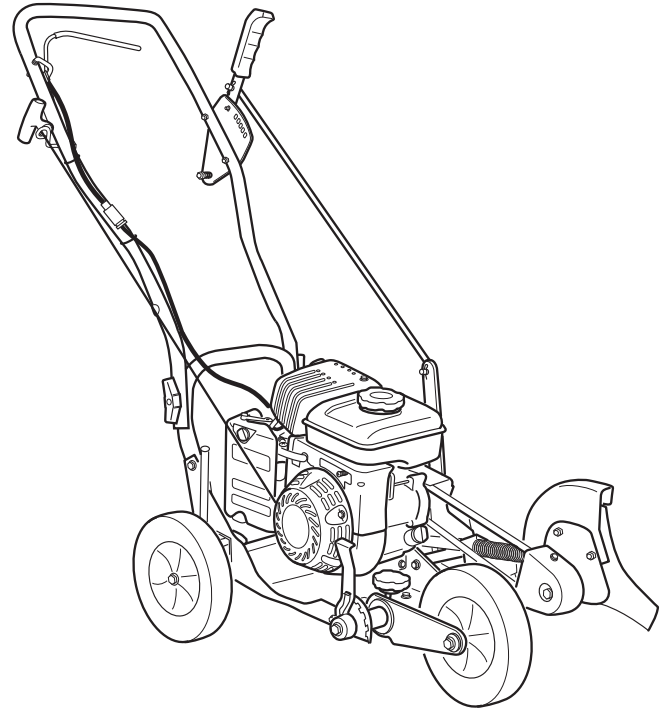
***Si vous avez besoin d'assistance ou si vous avez des questions, APPELER SANS FRAIS : 1-800-737-2112.***

## **Manual del usuario BORDEADORA 3.1 PIES LIBRAS, 4 CICLOS**

**Núm. de modelo SWLE0799.1**

### **Adentro encontrará:**

	Página
Definiciones de seguridad . . . . .	2-3
Instrucciones de seguridad importantes . . . . .	3-5
Especificaciones de la bordeadora . . . . .	6
Piezas y características . . . . .	6
Montaje . . . . .	7-8
Preparación del motor . . . . .	8-10
Uso . . . . .	10-13
Mantenimiento . . . . .	14-18
Servicio Técnico . . . . .	18
Diagnóstico y resolución de problemas . . . . .	19
Garantía . . . . .	20



### **Anotar lo siguiente para referencia futura:**

**Código de fecha de fabricación:** \_\_\_\_\_

**Fecha de compra:** \_\_\_\_\_ **adjuntar una copia del recibo de venta.**

**Número gratuito para el consumidor: 1-800-737-2112**

**Consúltese el sitio web para obtener una copia electrónica del manual y el catálogo de piezas.  
[www.southlandpowerequipment.com](http://www.southlandpowerequipment.com)**

### **IMPORTANTE:**

Le agradecemos haber comprado la recortadora Southland® Bordeadora.

Este manual le ofrece las instrucciones completas para operar y mantener seguramente la bordeadora. Lea y conserve estas instrucciones. Refiérase a este manual cada vez, antes de utilizar la bordeadora.

**ADVERTENCIA: CONTIENE PLOMO.** Puede ser dañino si se ingiere o se mastica. Puede generar polvo que contenga plomo. Lávese las manos después del uso. Mantener fuera del alcance de los niños.

**⚠ ADVERTENCIA:** Este producto le podría exponer a productos químicos incluyendo plomo, reconocido por el Estado de California como causante de cáncer y defectos de nacimiento u otros daños del sistema reproductivo. Para obtener más información, visite [www.P65Warnings.ca.gov](http://www.P65Warnings.ca.gov).



**Si tiene una duda o un problema...  
LLAME SIN COSTO AL: 1-800-737-2112**

**CONSERVE ESTE MANUAL COMO REFERENCIA**




# Definiciones de seguridad

• Guardar estas instrucciones

Instrucciones de seguridad importantes











## Símbolos de alerta para seguridad

Los símbolos siguientes se utilizan en el producto y en este manual para alertar al usuario sobre riesgos potenciales de seguridad. Leerlos detenidamente y entender su significado.





 <b>PELIGRO</b>	Indica una situación de riesgo inminente que, al no protegerse, provocará lesiones graves o la muerte.
 <b>ADVERTENCIA</b>	Indica una situación potencialmente peligrosa que, al no protegerse, podría provocar lesiones graves o la muerte.
 <b>CUIDADO</b>	Indica una situación potencialmente peligrosa que, al no protegerse, podría causar lesiones.
<b>AVISO</b>	Indica una práctica no relacionada con lesiones personales que, si no se evita, puede causar daños a la propiedad.

Los símbolos siguientes se pueden encontrar en la bordeadora. Leerlos detenidamente y entender su significado.

## Símbolos de advertencia para seguridad

	Busque este símbolo sobre las precauciones de seguridad importantes respecto a riesgos de lesiones personales. Significa: <b>¡Atención! ¡Esté alerta! Su seguridad está en juego.</b>
	Leer el Manual del usuario antes de utilizar esta máquina. El no acatar las directrices podría conducir a lesiones graves.
	Objetos lanzados. Retirar toda roca, piedra y objeto extraño que pudiera ser lanzado por la máquina.
	Mantener a los circunstantes a una distancia segura. JAMÁS usar la máquina ante la presencia de niños.
	La cuchilla rotativa puede causar lesiones graves. Mantener las manos y los pies alejados de la cuchilla.
	Usar protección ocular que cumpla con la norma ANSI Z87.1 y protección auditiva.
	Desconectar el cable de la bujía al no estar en uso o antes de reparar, limpiar o dar mantenimiento a la unidad.
	Los gases del escape del motor contienen monóxido de carbono, un gas inodoro y letal. JAMÁS hacer funcionar la unidad en espacios interiores o en un área con ventilación deficiente.
	NO tocar el silenciador caliente ni el cilindro. Estas piezas están extremadamente calientes durante el funcionamiento y podrían permanecer calientes durante un período de tiempo corto después del funcionamiento.
	Para reducir el riesgo de incendio, limpiar el combustible y aceite derramados y mantener la unidad libre de residuos. La gasolina es extremadamente inflamable. Deje que la máquina se enfríe dos minutos antes de repostar.




## Símbolos de control y funcionamiento

	<b>Ubicación para llenado de aceite.</b> No sobrellenar
	<b>Ubicación para llenado de gasolina.</b>
	<b>Estrangulador / Arranque en frío</b>
	<b>Marcha / Arranque en caliente</b>

# Definiciones de seguridad (la siguiente)

• Guardar estas instrucciones

## Símbolos de control y funcionamiento (La siguiente)

	Siempre verificar que los conductores a tierra estén conectados antes de poner la unidad en marcha
	<b>Palanca de control de la profundidad</b> Mover la palanca hacia adelante para aumentar la profundidad de corte  Posición de arranque
	<b>Barra de control de arranque/paro:</b> Soltar la barra para parar el motor. Enganchar la barra de control de arranque/paro para arrancar el motor y mantenerlo en marcha.

# Instrucciones de seguridad importantes

• Conserve todas las instrucciones

## Responsabilidad del Usuario

1. Leer detenidamente y seguir estas instrucciones de seguridad. Hacer caso omiso de éstas puede conducir a lesiones graves.
2. Conózcase el producto. Leer y entender este manual antes de utilizar la unidad. Comparar las ilustraciones con la unidad. Aprenderse la ubicación y la función de todos los controles. Un entendimiento exhaustivo de la unidad antes de utilizarla redundará en rendimiento y seguridad óptimos.
3. Seguir todas las instrucciones al montar la unidad. Si se compró la unidad ya montada, el usuario ha de revisar la unidad cuidadosamente para asegurarse de que se montó de conformidad con las instrucciones en el manual antes de utilizarla.
4. Inspeccionar la bordeadora periódicamente. Verificar que no haya piezas dobladas, dañadas o flojas.
5. Utilizar este equipo únicamente para su uso previsto.
6. Utilizar la unidad solo con protectores, pantallas y otros elementos de seguridad instalados y en buenas condiciones.
7. Dar mantenimiento a la unidad solo con piezas de repuesto autorizadas o aprobadas.
8. Completar la totalidad del mantenimiento de la unidad.

## ⚠ ADVERTENCIA

El gas de escape del motor, algunos de sus constituyentes y ciertos componentes de vehículos contienen o emiten sustancias químicas que, consta al Estado de California, producen cáncer y malformaciones congénitas u otros daños reproductivos.

Para evitar el arranque accidental al montar, transportar, ajustar o efectuar reparaciones, siempre desconectar el cable de la bujía y colocarlo donde no pueda entrar en contacto con ésta.

## Seguridad Durante la Preparación

## ⚠ ADVERTENCIA

- Leer, entender y acatar todas las instrucciones en la máquina y en los manuales. Familiarizarse completamente con los controles y el uso apropiado de la bordeadora antes del arranque. Sépase cómo parar el motor rápidamente.
- Familiarizarse con todos los marbetes de seguridad y funcionamiento de este equipo.
- Inspeccionar completamente el área en que se va a utilizar la bordeadora y retirar todo objeto extraño. Esta bordeadora puede lanzar objetos pequeños a gran velocidad y causar lesiones personales o daños a la propiedad. Mantenerse alejado de objetos frágiles, tales como ventanas de viviendas, parabrisas de automóviles,

# Instrucciones de seguridad importantes *(la siguiente)*

## • Conserve todas las instrucciones

### Seguridad Durante la Preparación *(La siguiente)*

- invernaderos, etc.
- Verificar que todas las tuercas y pernos estén apretados y que el equipo esté en buenas condiciones.
- Siempre verificar que el cable de tierra esté conectado, antes de arrancar el motor.

### Seguridad Durante el Uso

- Jamás permitir que niños o adolescentes jóvenes utilicen la bordeadora.

### **⚠ ADVERTENCIA**

- Mantener el área de trabajo libre de circunstancias, particularmente niños pequeños y mascotas.
- Permitir solo a individuos responsables, familiarizados con las instrucciones, utilizar la bordeadora.
- No utilizar la bordeadora bajo la influencia de alcohol, fármacos u otro medicamento que pudiera causar somnolencia o afectar la capacidad de utilizar la máquina de manera segura.
- No utilizar esta máquina si se es mental o físicamente incapaz de utilizarla de manera segura.
- Al utilizar la bordeadora, siempre usar gafas de seguridad con pantallas laterales, homologadas por ANSI, para protegerse los ojos contra objetos extraños que pudieran ser lanzados por la unidad.
- Vestir indumentaria apropiada tal como una casquillo o chaqueta de manga larga. También, vestir pantalones largos. NO vestir pantalones cortos. NO vestir indumentaria holgada que pudiera atorarse en este equipo.
- Siempre vestir guantes de trabajo y calzado robusto tal como zapatos de cuero para trabajo o botas cortas. Éstos protegen los tobillos y la tibia contra palos pequeños, astillas y otros despojos lanzados. Asimismo, éstos mejoran la tracción.
- Es aconsejable vestir indumentaria para proteger la cabeza contra golpes de partículas pequeñas lanzadas, o contra golpes de ramas bajas, ramitas u otros objetos que pudieran pasar desapercibidos por el usuario.

### **⚠ ADVERTENCIA**

- No colocar ni las manos ni los pies cerca de piezas rotativas o debajo de las mismas.
- Tener sumo cuidado al utilizar la bordeadora sobre o al cruzar accesos, andenes o caminos con grava. Mantenerse alerta por peligros ocultos o tránsito.
- Tener cuidado para no deslizarse o caerse. Siempre asegurar el apoyo de los pies; mantener una sujeción firme del asidero y caminar; jamás correr.
- Mirar hacia atrás y tener cuidado al retroceder.
- Jamás utilizar la bordeadora sin buena visibilidad o luz.

### **⚠ PELIGRO**

- No poner en marcha el motor en espacios interiores o dentro de un área cerrada. Los gases del escape son peligrosos, contienen MONÓXIDO DE CARBONO, un GAS INODORO Y LETAL.
- Jamás dejar la bordeadora desatendida mientras el motor está en marcha. Parar el motor y asegurarse que todas las piezas móviles hayan parado. Desconectar el cable de la bujía.
- No sobrecargar la capacidad de la bordeadora al intentar un corte demasiado profundo a demasiada velocidad.
- Si la bordeadora comenzara a vibrar anormalmente, parar el motor, desconectar el cable de la bujía y evitar que éste haga contacto con la bujía. Tratar de identificar la causa inmediatamente. Generalmente, la vibración indica problemas.
- Tener cuidado con agujeros, zurcos, abultamientos u otro terreno escabroso. El pasto alto puede ocultar obstáculos.

### Seguridad del Combustible

### **⚠ ADVERTENCIA**

- La gasolina es extremadamente inflamable. Los vapores de gasolina pueden explotar si se los enciende. Manipularla con cuidado.
- Utilizar un contenedor aprobado.
- Revisar el suministro de combustible antes de cada uso, dejar espacio para expansión puesto que el calor del motor y/o el sol puede(n) causar la expansión del combustible.
- Llenar el tanque de combustible al aire libre, con sumo cuidado. Jamás llenar el tanque de combustible en espacios interiores.
- Jamás retirar la tapa del combustible ni abastecer combustible con el motor en marcha. Dejar que el motor enfríe antes de reabastecerlo de combustible.

# Instrucciones de seguridad importantes *(la siguiente)*

- *Conserve todas las instrucciones*

## **Seguridad del Combustible (La siguiente)**

- No fumar mientras se reabastece combustible.
- Después del reabastecimiento de combustible, colocar nuevamente la tapa del tanque de combustible de manera segura y enjugar el combustible derramado.
- Jamás almacenar combustible o la bordeadora con combustible en el tanque dentro de un edificio donde los vapores podrían llegar a una llama abierta.

## **Seguridad de Almacenamiento**

- Siempre consultar las instrucciones del Manual del usuario para obtener información importante pormenorizada si se va a guardar la bordeadora durante un período de tiempo prolongado.
- Jamás almacenar la bordeadora con combustible en el tanque dentro de un edificio donde haya fuentes de ignición tales como calentadores de agua, calentadores unitarios, secadoras de ropa, etc.
- Para reducir el riesgo de incendio, mantener la bordeadora libre de césped, hojas y acumulación de otros residuos.
- Dejar que el motor se enfríe antes de almacenarlo en cualquier recinto.

## **Reparación, Mantenimiento y Seguridad de Ajuste**

- Después de golpear un objeto extraño, parar el motor. Desconectar el cable de la bujía y mantenerlo alejado de ésta para evitar un arranque accidental. Inspeccionar exhaustivamente la bordeadora para determinar si ha sufrido daños. Si está dañada, efectuar las gestiones para que un técnico capacitado la repare antes de arrancarla y utilizarla nuevamente.

## **⚠ ADVERTENCIA**

- Parar el motor antes de limpiar, reparar o inspeccionar la unidad. Verificar que todas las piezas móviles hayan parado. Dejar que el motor se enfríe. Desconectar el cable de la bujía y alejarlo de ésta.
- Jamás intentar ajuste alguno mientras el motor esté en marcha, excepto cuando así lo recomiende el fabricante específicamente.
- Mantener la bordeadora en condiciones de funcionamiento seguro. Revisar todos los sujetadores a intervalos frecuentes para una sujeción apropiada.
- Al dar mantenimiento a la bordeadora o repararla, no inclinar la máquina lateral o longitudinalmente a menos que así lo instruya este Manual específicamente. Los procedimientos de mantenimiento y reparación se pueden efectuar con la bordeadora en la posición vertical. Algunos procedimientos serán más fáciles si se coloca la máquina sobre una plataforma o superficie de trabajo elevada.
- Utilizar solo equipo original o piezas de repuesto autorizadas.
- Jamás manipular imprudentemente los dispositivos de seguridad. Verificar el funcionamiento apropiado de los mismos periódicamente.
- No cambiar la configuración del regulador del motor ni sobreacelerar el motor.
- Limpiar y reemplazar los marbetes de seguridad e instrucciones según sea necesario.
- Para prevenir el sobrecalentamiento del motor, siempre tener el filtro de impurezas limpio e instalado en el motor instalado.

## **Seguridad de Niños**

## **⚠ ADVERTENCIA**

- Accidentes trágicos pueden ocurrir si el usuario no está alerta a la presencia de niños. A menudo, los niños se ven atraídos por la bordeadora y el bordeado mismo.
- Mantener a los niños fuera del área de bordeado y bajo la supervisión de un adulto responsable.
- Jamás suponer que los niños permanecerán donde se los vio la última vez.
- Estar alerta y apagar la bordeadora si algún niño entra en el área.
- Antes de retroceder y mientras se retrocede, ver hacia atrás y hacia abajo para asegurarse que no haya niños.
- Jamás permitir que niños utilicen la bordeadora.
- Tener sumo cuidado al utilizar la bordeadora cerca de esquinas sin visibilidad clara, arbustos, árboles u otros objetos que pudieran obstruir la visión.



# Especificaciones de la bordeadora

• Conserve todas las instrucciones

Peso de la unidad . . . . .	27 kg (60 lb.)	Salto de chispa de la bujía . . .	0.6-0.7 mm (0.024-0.028 in.)
Profundidades de corte . . . . .	0-63 mm (0-2.5 in.)	Tipo de motor . . . . .	4 tiempos OHV
Diámetro de la lámina . . . . .	228 mm (9 in.), 3 point	Cilindrada . . . . .	79cc
Tipo de gasolina . . . . .	Sin plomo regular/88 octanos	RPM . . . . .	3600 RPM
Capacidad de gasolina . . . . .	1.6L	Par de torsión nominal . . .	Par de torsión bruto de 4.75 N·m (3.1 pie·lbf) según SAE J1940
Tipo de aceite (API SG-SL) . . . . .		Diámetro interior x carrera . . .	.51.6X38 mm (2.03X1.50 in.)
Se recomienda 10W-30 para toda temperatura en servicio. Véase la página 29 para mayor información.		Huelgo de la válvula de admisión . . . . .	0.20-0.25 mm
Capacidad de aceite . . . . .	355 ml (12 oz)	Huelgo de la válvula de escape . . . . .	0.25-0.30 mm
Modelo de bujía . . . . .	Torch E7RTC	Ángulo de ignición . . . . .	25 Degrees

## Piezas y características

- 1. Barra de Control de Arranque/Paro** - Barra en el asidero que permite que la marcha del motor. Al soltársela, el motor parará.
- 2. Control del Regulador** - Restringe la admisión de aire. Esto permite una mezcla enriquecida de aire y combustible que ayuda a arrancar el motor.
- 3. Silenciador** - Ubicación del escape del motor.
- 4. Rueda Trasera Ajustable** - La rueda trasera derecha es ajustable para nivelar la bordeadora al efectuar cortes a lo largo de un cordón de acera (franqueo de cordón de acera).
- 5. Rueda Frontal Ajustable** - La rueda frontal es ajustable de lado a lado para un mejor equilibrio. Asimismo, se puede ajustar la rueda frontal hacia abajo para franquear cordones de aceras.
- 6. Empuñadura de Arrancador de Retroceso** - El motor está provisto de un arrancador de retroceso de tiro cómodo.
- 7. Palanca Índice** - Permite ajustar el ángulo de corte a 15 grados, 0 grados (vertical), o -15 grados. Para cambiar el ángulo, tirar de la palanca índice y rotar el conjunto del manguito (eje hueco) al ángulo deseado.
- 8. Cuchilla** - Elemento cortante rotativo.
- 9. Protector de la Cuchilla** - Evita el lanzamiento de piedras y despojos al operador.
- 10. Bujía / Cable de la Bujía** - Brinda la chispa para encender la mezcla de aire / combustible. Al dar mantenimiento a la unidad, es preciso desconectar y retirar el cable de la bujía.
- 11. Filtro de Aire** - Retira despojos y contaminantes del aire de admisión, para un funcionamiento uniforme del motor con un nivel de emisiones bajo.
- 12. Placa Selectora de Profundidad**
- 13. Palanca de Control de la Profundidad**
- 14. Varilla de Control** - Se la utiliza para controlar la profundidad de corte de la bordeadora
- 15. Terminales del Cable de Tierra** - Los terminales del cable de tierra deben ser conectados para asegurar el funcionamiento correcto de la barra de control de arranque/paro.

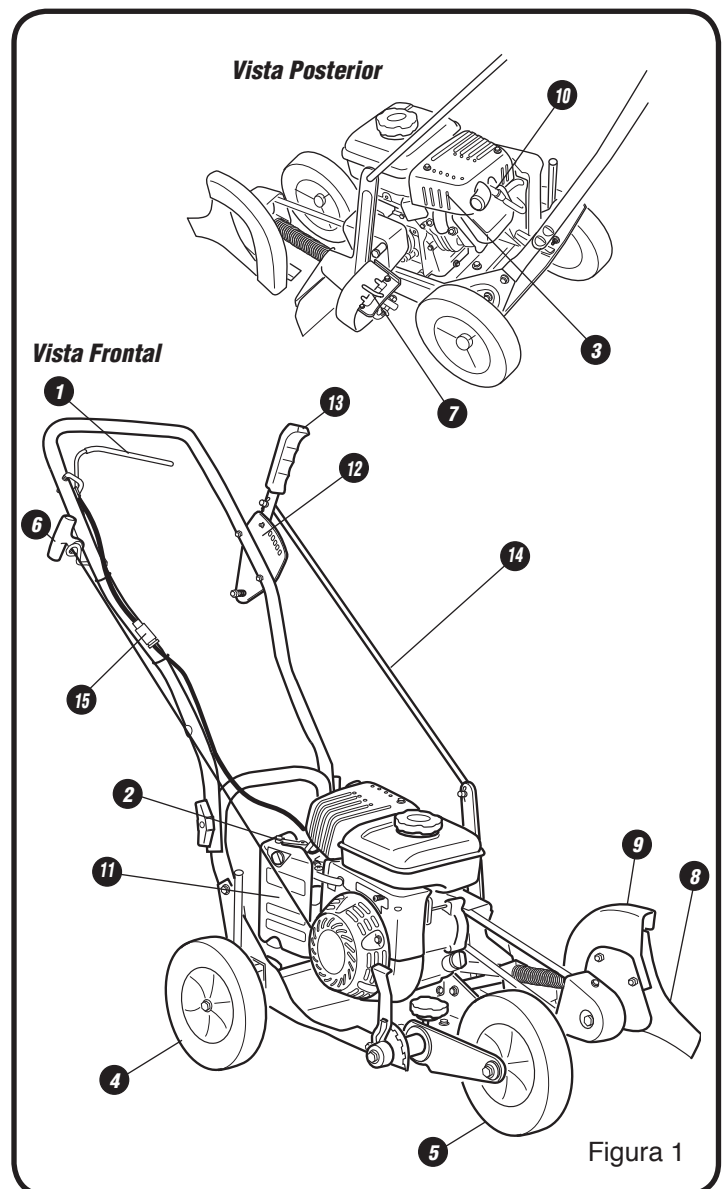


Figura 1

Instrucciones de seguridad importantes

# Montaje

• **Conserve todas las instrucciones**

Leer y seguir las instrucciones de montaje. No descartar ninguna pieza ni materiales antes de concluirse el montaje de la unidad. Las referencias al lado derecho o izquierdo de la bordeadora toman como base el punto de vista del usuario ubicado detrás de la unidad.

## ⚠ ADVERTENCIA

No utilizar la bordeadora si ésta está averiada o no está armada completa y correctamente. Antes de efectuar algún montaje o mantenimiento de la unidad, retirar el cable de la bujía. Al montar la bordeadora, siempre usar gafas de seguridad con pantallas laterales, homologadas por ANSI.

En la caja se encontrarán los componentes siguientes. Las cantidades se muestran entre paréntesis.

1. (1) Bordeadora
2. (1) Manual del usuario de la bordeadora
3. (1) Asidero superior
4. (1) Varilla de control
5. (1) Contenedor de aceite para motor
6. (1) Bolsa de piezas con el contenido siguiente:
  - (2) Chaveta de dos patas
  - (2) Tuercas plásticas de orejetas (M8)
  - (2) Pernos para tubo M8 x 35 mm
  - (1) Atadura de alambre

**NOTA:** En función del modelo, los sujetadores para enganchar las ruedas estarán ensamblados sin apretar en la unidad o aparte en una bolsa plástica. Ver las instrucciones de ensamblaje.

## A **Cómo sacar la bordeadora de la caja**

1. Sacar todas las piezas y componentes de embalaje
2. Utilizar una cuchilla multiuso para cortar las cuatro esquinas verticales y colocar los costados de la caja sobre el piso, alrededor de la bordeadora.
3. Sacar el resto del embalaje.
4. Rodar la unidad para sacarla de la caja y colocarla sobre una superficie firme a nivel.

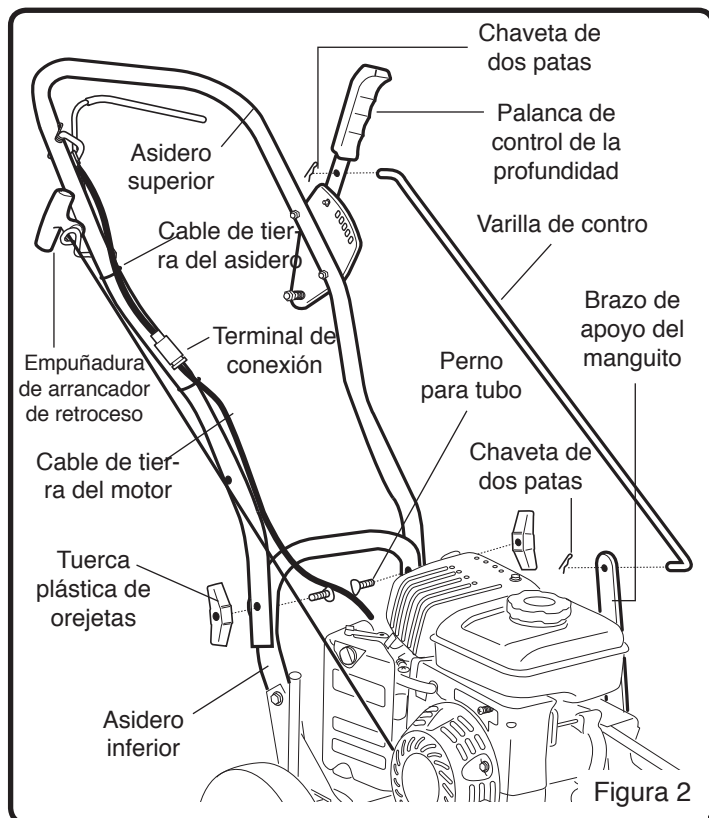
## B **Cómo montar el asidero**

**NOTA:** Consultar la figura 2 al seguir los pasos enumerados a continuación:

1. Montar el asidero superior sobre el asidero inferior con los dos (2) pernos para tubo y las dos (2) tuercas plásticas de orejetas (Véase la figura 2). Apretar firmemente a mano las tuercas de orejetas.
2. Deslizar un extremo de la varilla de control en el agujero de la palanca de control de la profundidad. Asegurarla con una chaveta de dos patas.
3. Deslizar el otro extremo de la varilla de control a través del agujero del brazo del manguito. Asegurarla con la segunda chaveta de dos patas.
4. Instalar la empuñadura del arrancador de retroceso a través de la guía de la cuerda, y encajarla en posición por torsión.
5. Retirar el inserto temporal del terminal del cable de tierra del motor.
6. Conectar los cables de tierra del motor y del asidero. Utilizar la atadura para asegurar un cable suelto al asidero.

## ⚠ ADVERTENCIA

Los cables de tierra **DEBEN** ser conectados para asegurar el funcionamiento correcto del motor. El no conectarlos puede conducir a lesiones graves.

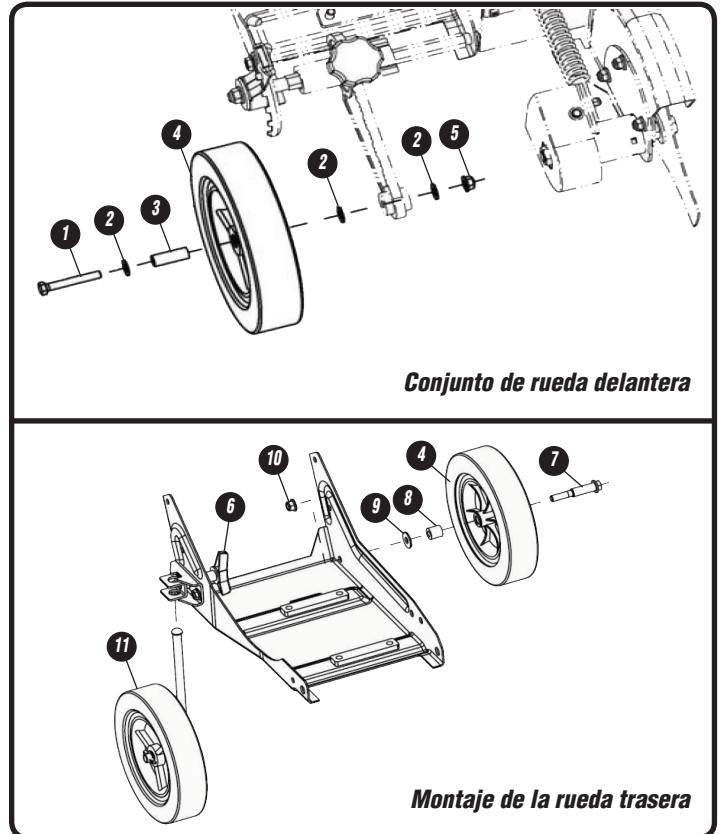


# Montaje (la siguiente)

• Conserve todas las instrucciones

## **C** Cómo Ensamblar las Ruedas

1. Ensamblaje de la rueda posterior derecha
  - a. Aflojar la perilla (6)
  - b. Usando el conjunto de rueda y barra (11), insertar esta última a través del soporte y ajustar en la posición deseada.
  - c. Apretar la perilla (6)
2. Rueda posterior izquierda
  - a. Instalar usando perno de tope (7), rueda (4), funda (8), arandela (9)
  - b. Asegurar con tuerca de brida M10 (10)
3. Rueda frontal
  - a. Instalar en el lado derecho del brazo frontal usando perno (1), arandela M8 (2), funda (3), rueda (4) y arandela (2).
  - b. Asegurar con arandela (2) y tuerca M8 (5)



# Preparación del motor

• Conserve todas las instrucciones

## **A** Aceite de motor

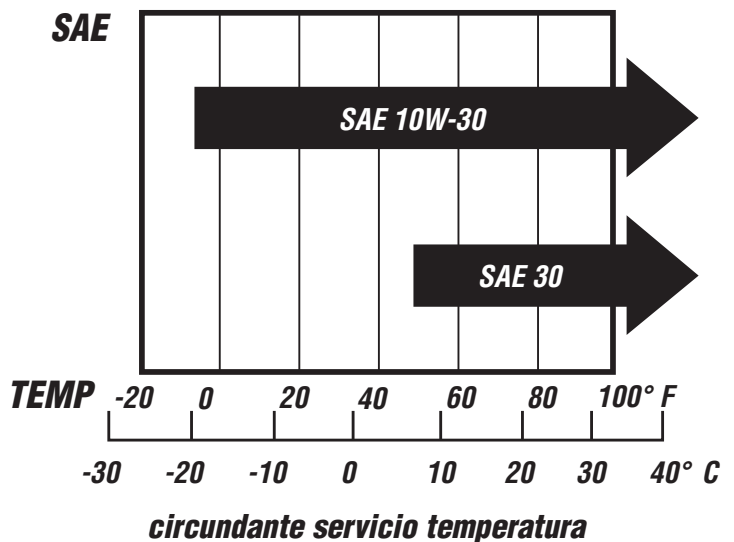
### AVISO

El motor se envía sin aceite. El no agregar aceite causará daños severos al motor.

Se incluye un envase de aceite utomotriz SAE 30 con la bordeadora. Consultar el diagrama a la derecha para obtener información sobre tipos alternativos de aceite a usarse a diferentes temperaturas. Siempre utilizar un aceite detergente de alta calidad clasificado «Para servicio SG, SH, SJ» o superior. No utilizar aditivos especiales.

Siempre usar el tipo de aceite recomendado. El uso de aceite sucio o tipo de aceite incorrecto --tal como aceite para motores de dos tiempos-- acortará la vida útil del motor.

**NOTA:** La capacidad de aceite del motor es 355 ml (12 oz.).



# Preparación del motor (la siguiente)

• Conserve todas las instrucciones

## **B** Cómo revisar el aceite y llenar hasta el nivel apropiado

### **⚠ ADVERTENCIA**

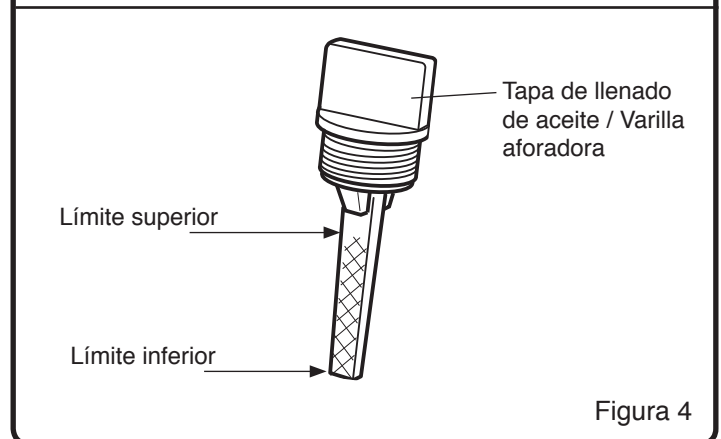
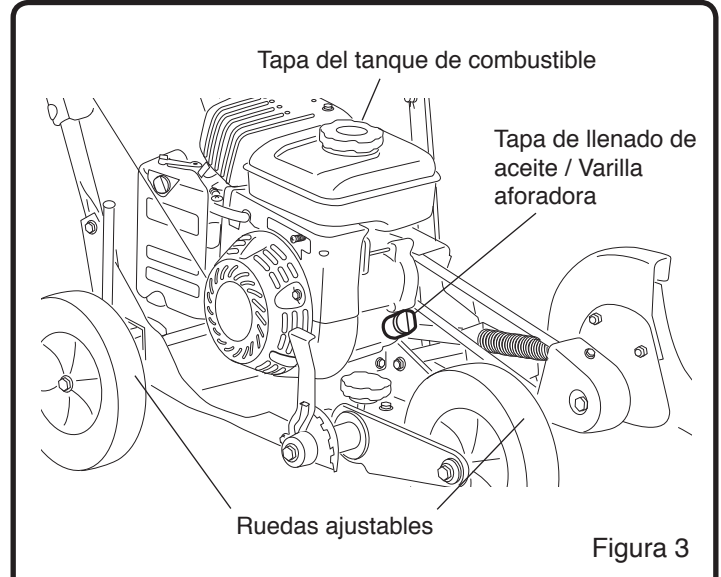
Antes de revisar el aceite, verificar que el motor esté apagado y que se haya desconectado de la bujía el cable de la misma.

1. Colocar la bordeadora en una superficie a nivel y asegurarse que las ruedas ajustables estén configuradas de manera tal que el marco principal de la bordeadora esté a nivel.
2. Retirar la tapa de llenado de aceite / varilla de aforar y enjuagarla con un paño. (Véase la Figura 3)
3. Colocar nuevamente la varilla de aforar en posición y NO enroscarla. Retirla y revisar el nivel de aceite.
4. Al tenerse un nivel lleno de aceite, el aceite alcanzará el límite superior en la varilla aforadora. Si el nivel de aceite está cerca del límite inferior o por debajo de éste, se ha de agregar aceite. (Véase la figura 4)
5. Agregar aceite lentamente hasta que el nivel del aceite alcance el límite superior de la varilla aforadora. Utilizar un embudo o boquilla para reducir derrames.

### **AVISO**

Verificar el nivel de aceite frecuentemente durante el llenado. NO SOBRELLENAR. NO SUBLLENAR. Hacer marchar el motor con un nivel inadecuado de aceite causará daños severos al motor.

6. Colocar la varilla aforadora en posición y apretarla.
7. Limpiar todo aceite derramado.



# Preparación del motor (la siguiente)

• Conserve todas las instrucciones

## **C** Combustible

### **⚠ ADVERTENCIA**

La gasolina es extremadamente inflamable y los vapores pueden explotar si se inflaman. Manipularla con cuidado.

Usar gasolina sin plomo, limpia y de reciente producción, con octanaje de 87 o más. NO usar gasolina con más del 10% de etanol. Lo mejor es usar combustible sin etanol. Recomendamos el uso continuo de aditivo/estabilizador de combustible para contrarrestar los efectos del etanol. Estos aditivos prolongan también la vida útil de la gasolina almacenada.

### **AVISO**

El uso de un tipo incorrecto de combustible o de combustible contaminado causará daños severos al motor.

**NOTA:** La capacidad del tanque de combustible es aproximadamente 1.6 L (1.69 cuartos)

## **CÓMO LLENAR EL MOTOR CON COMBUSTIBLE**

### **⚠ ADVERTENCIA**

Apagar el motor y dejarlo enfriar durante varios minutos antes de quitar la tapa de combustible o agregar combustible. Jamás llenar el tanque de combustible en espacios interiores. No fumar durante el abastecimiento de combustible.

1. Limpiar la superficie alrededor de la tapa de combustible para evitar contaminación. (Véase la Figura 3)
2. Aflojar la tapa del combustible lentamente. Después de retirar la tapa, colocarla sobre una superficie limpia.
3. Verter el combustible en el tanque. Tener cuidado para evitar derrames.

NO SOBRELLENAR con combustible. Dejar espacio para que el combustible se expanda debido al calor del motor y/o del sol.

4. Antes de colocar nuevamente la tapa de combustible, inspeccionar y limpiar el sello de la tapa de combustible.
5. Colocar nuevamente la tapa de combustible y apretarla a mano de manera segura.
6. Limpiar todo combustible derramado.

## **Uso**

• Conserve todas las instrucciones

## **A** Antes de arrancar el motor

### **⚠ ADVERTENCIA**

Antes de arrancar el motor, leer el Manual del usuario. Familiarizarse con la ubicación y función de todos los controles. Sépase cómo parar el motor rápidamente.

### **⚠ ADVERTENCIA**

Antes de arrancar el motor, verificar que se hayan conectado los terminales de los cables de tierra.

Antes de intentar arrancar el motor, revisar los pasos siguientes:

1. Se ha montado la unidad según todas las instrucciones de montaje.
2. Los terminales de los cables de tierra están conectados.
3. Se ha inspeccionado la unidad para determinar si hay piezas averiadas o faltantes.
4. No hay piezas restantes en la caja.
5. El aceite del motor está al nivel apropiado.

6. Se ha abastecido el tanque de combustible con gasolina fresca, limpia, regular, sin plomo.
7. El cable de la bujía está conectado a la bujía.
8. Se ha movido la bordeadora a la ubicación deseada.
9. La bordeadora está en una superficie a nivel.

### **⚠ ADVERTENCIA**

Durante el uso, mantener a todo circunstante, especialmente NIÑOS, alejados.

**IMPORTANTE:** El sistema de escape de esta unidad está rovista de un silenciador con supresor de chispas. La manipulación imprudente o el retiro del supresor de chispas viola la sección 442 del California Public Resources Code (Código de Recursos Públicos de California) así como también otras leyes estatales y federales pertinentes.



# Uso

• Conserve todas las instrucciones

## B Cómo arrancar el motor

### ⚠ PELIGRO

Jamás hacer funcionar el motor en espacios interiores o en un área con ventilación deficiente. Los gases del escape del motor contienen monóxido de carbono, un gas inodoro y letal.

### ⚠ ADVERTENCIA

Los despojos lanzados por la bordeadora pueden causar lesiones oculares graves. Siempre utilizar gafas protectoras o pantallas oculares que cumplan las normas ANSI al utilizar la bordeadora. Si se usa anteojos, colocar una máscara protectora de visión amplia, certificada por OSHA, sobre los anteojos.

1. Revisar TODOS los pasos en la sección “ANTES DE ARRANCAR EL MOTOR”. En particular, verificar que:
  - a. La unidad esté montada correctamente
  - b. Los terminales de los cables de extinción están conectados.
  - c. El aceite del motor está al nivel apropiado.
  - d. Se haya abastecido gasolina fresca, sin plomo
  - e. El cable de la bujía esté conectado a la bujía
2. Mover la palanca de control de la profundidad a la posición de arranque. (Véase la figura 6).
3. Rotar el regulador a la posición CHOKE (ESTRANGULAMIENTO). (Véase la Figura 5)

**NOTA:** No es necesario al arrancarse nuevamente un motor caliente.

4. Sujetar firmemente el asidero de la bordeadora con la mano izquierda y tirar de la barra de control de arranque/paro contra el asidero. (Véase la figura 6).

**NOTA:** El motor no arranca si la barra de control de arranque/paro no está halada hacia atrás contra el asidero.

5. Asir firmemente la empuñadura del arrancador de retroceso con la mano derecha. (Véase la figura 6).
6. Tirar del arrancador de retroceso lentamente hasta sentir tensión en la cuerda del arrancador. Luego, tirar rápidamente de la empuñadura del arrancador de retroceso para desarrollar completamente la cuerda del arrancador. NO permitir que la cuerda del arrancador retroceda violentamente. Dejar que la cuerda del arrancador se reenrolle lentamente.
7. Después del arranque del motor, esperar de 2 a 5 segundos y rotar el regulador nuevamente hacia la posición RUN (MARCHA).
8. Si el motor no arranca después de 5 ó 6 intentos, ver la instrucción en la “Tabla de diagnóstico y resolución de problemas”.

### ⚠ ADVERTENCIA

Mantener las manos, los pies, el cabello, y la ropa holgada alejados de toda pieza móvil. No tocar el silenciador y las áreas circundantes: las temperaturas podrían ser superiores a 65.6 °C (150 °F). Mantener todos los dispositivos y pantallas de seguridad en posición.

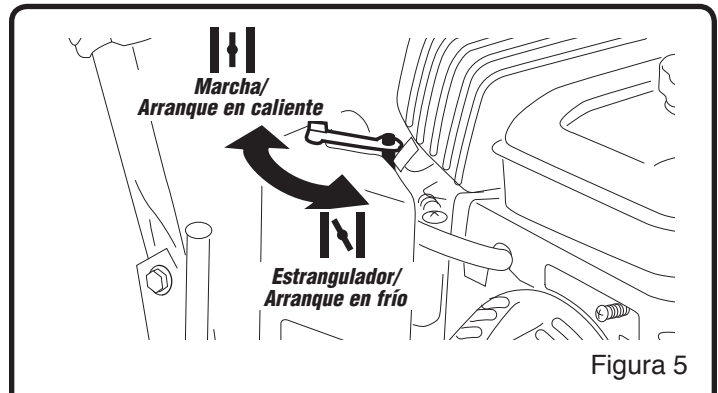


Figura 5

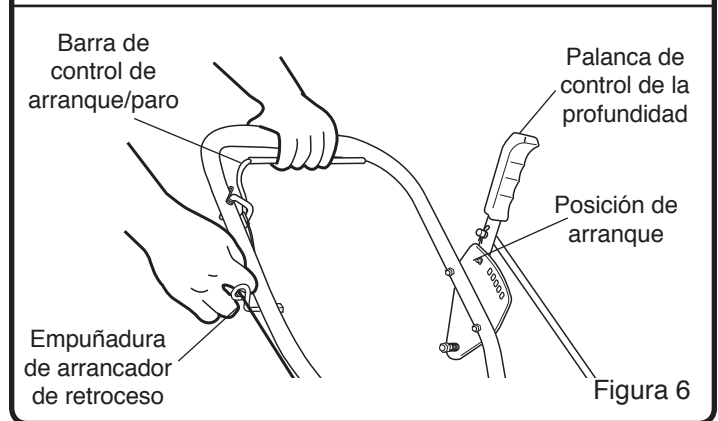


Figura 6



## Uso (la siguiente)

- Conserve todas las instrucciones

### **C** Cómo parar la bordeadora

Soltar la barra de control de arranque/paro. Este procedimiento conectará a tierra el motor a través del cable de tierra y parará el motor.

### **D** Cómo cambiar la profundidad de corte de la bordeadora

Mover la palanca de control de la profundidad hacia adelante para aumentar la profundidad de corte. (Véase la figura 7).

**NOTA:** Hay 5 selecciones de profundidad de corte, desde aproximadamente el nivel del terreno hasta una profundidad de 63 mm (2.5 pulgadas).

### **AVISO**

No sobrecargar la capacidad de la bordeadora al intentar bordear a demasiada profundidad a gran velocidad. Para bordear a valores más profundos, efectuar múltiples cortes, después de cortar a profundidades menores inicialmente.

### **⚠ ADVERTENCIA**

Los terminales de los cables de tierra DEBEN ser conectados seguramente para que la barra de control de arranque/paro funcione. Consultar la sección “Cómo montar el asidero”.

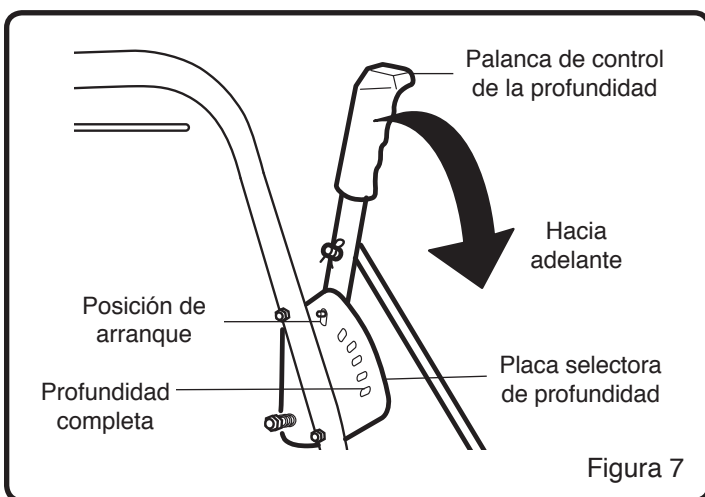


Figura 7

### **E** Cómo cambiar el ángulo de la cuchilla para un borde oblicuo

Se puede ajustar la cuchilla 15 grados de la vertical (ambas direcciones) para brindar un corte oblicuo, lo cual cortará el césped a mayor distancia del andén o acceso vehicular, reduciendo así la necesidad de bordear con mayor frecuencia. El uso del borde oblicuo a mayor profundidad hará una zanja en el terreno.

1. Parar el motor.
2. Desconectar el cable de la bujía de la bujía.
3. Desenganchar la palanca índice (Véase la Figura 8).  
Mover la palanca índice hacia la muesca deseada (15, 0 ó -15 grados).
4. Antes de arrancar el motor, alinear la bordeadora como si se va a efectuar un corte oblicuo.

### **AVISO**

No sobrecargar la capacidad de la bordeadora al intentar bordear a demasiada profundidad a gran velocidad. Para bordear a valores más profundos, efectuar múltiples cortes, después de cortar a profundidades menores inicialmente.

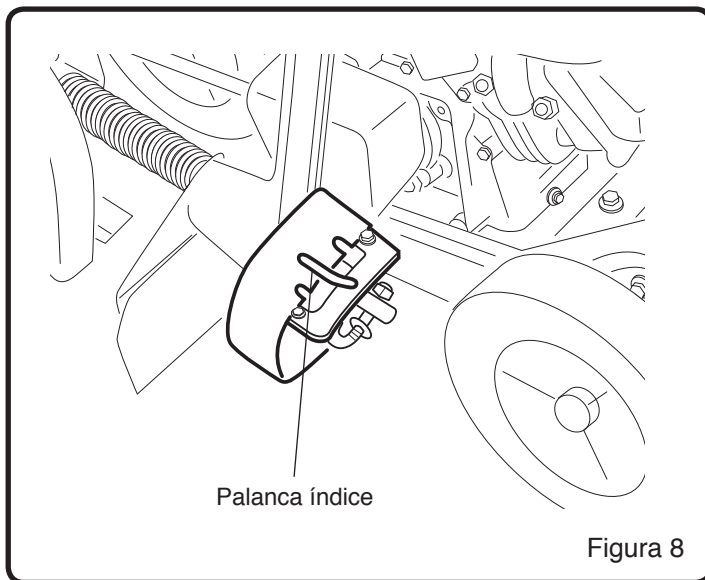


Figura 8

## Uso (la siguiente)

### • Conserve todas las instrucciones

#### **F** Cómo bordear a lo largo de un cordón

La altura de la rueda delantera y de la rueda trasera izquierda es ajustable para permitir el bordeado a lo largo de un cordón de acera.

**NOTA:** La figura 9 muestra la unidad configurada correctamente para bordeado a lo largo de un cordón de acera. Consultar la figura 9 al seguir los pasos enumerados a continuación:

1. Parar el motor.
2. Desconectar el cable de la bujía de la bujía.
3. Aflojar la perilla de la rueda delantera.
4. Deslizar la rueda delantera a la mejor posición para franquear el cordón de la acera y equilibrar la unidad.
5. Apretar de manera segura la perilla de la rueda delantera.
6. Utilizar la palanca de ajuste de la rueda delantera para bajar la rueda delantera lo suficiente para que la unidad esté a nivel como se muestra en la figura 9.
7. Aflojar la perilla de la rueda trasera.
8. Bajar la rueda trasera derecha lo suficiente para que la unidad esté a nivel como se muestra en la figura 9.
9. Apretar la perilla de la rueda trasera de manera segura.

#### **⚠ ADVERTENCIA**

Tener sumo cuidado al bordear a lo largo de cordones de acera. Asegurarse de que la unidad esté equilibrada. Asegurar el apoyo de los pies. Mantenerse alerta ante el tráfico u otros peligros.

#### **Consejos para Bordear**

#### **⚠ ADVERTENCIA**

Leer el Manual del usuario. Conocer la ubicación y las funciones de todos los controles. Mantener todos los dispositivos y pantallas de seguridad en posición. Jamás permitir que niños o adultos sin la instrucción adecuada utilicen la bordeadora. Apagar el motor antes de limpiar obstrucciones de la cuchilla o efectuar reparaciones. Mantener a los circunstantes alejados de la máquina. Mantenerse alejado de la cuchilla y de todas las piezas móviles, las cuales pueden causar lesiones.

- Un entorno seco presenta las mejores condiciones para bordear. Si el suelo está demasiado húmedo, la tierra se compacta en torno a la cuchilla, lo cual conduce a un desgaste prematuro de la faja y a un menor rendimiento.
- Si hay acumulación de suciedad alrededor de la cuchilla, parar el motor y retirar el cable de la bujía. Retirar la suciedad y despojos compactados de la cuchilla.

- Para bordeado profundo, primero efectuar cortes superficiales. Luego, cortar a mayores profundidades hasta obtenerse la profundidad deseada.
- Se puede personalizar el bordeado mediante la variación del número de pasadas y mediante la distancia entre la cuchilla y la superficie.

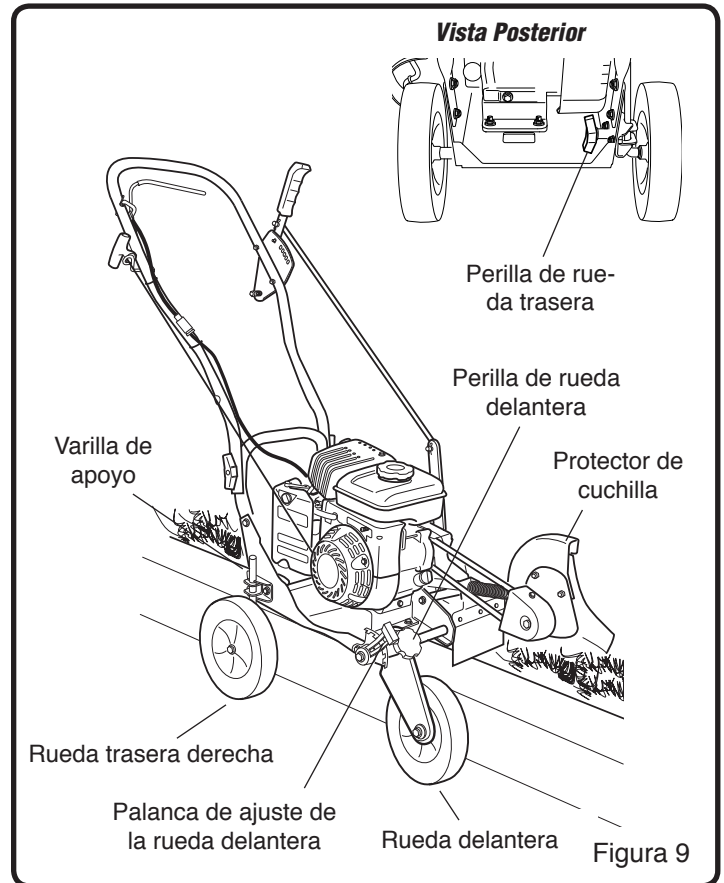


Figura 9

# Mantenimiento

• Conserve todas las instrucciones

## A Programa de mantenimiento

### ⚠ ADVERTENCIA

Antes de cualquier mantenimiento, apagar el motor y retirar el cable de la bujía para evitar un arranque accidental y lesiones graves.

**IMPORTANTE:** La garantía de esta bordeadora no cubre elementos que se hayan visto sujetos a uso indebido o negligencia por parte del usuario. Para recibir el monto completo de la garantía, el usuario ha de dar mantenimiento a la bordeadora como se indica en este manual, y sólo ha de utilizar piezas de repuesto genuinas. La tabla siguiente presenta el mantenimiento periódico requerido.

### PROGRAMA DE MANTENIMIENTO PERIÓDICO

Registros de mantenimiento: incluir las fechas a medida que se efectúa el mantenimiento periódico	Después de cada uso	Después de 10 horas de uso	Después de 25 horas de uso	Después de 50 horas de uso	Después de 100 horas de uso	Antes de cada temporada	Antes del almacenamiento	Véase la nota a continuación
Revisar el nivel de aceite del motor, llenar al nivel apropiado	✓					✓		
Verificar la conexión de AMBOS conectores de los cables de tierra	✓					✓		
Eliminar todo despojo de la unidad	✓					✓	✓	
Lubricar todos los puntos de pivote		✓				✓	✓	
Revisar el apriete de los sujetadores		✓				✓		<b>1</b>
Revisar la faja de impulsión Reemplazar si fuera necesario		✓				✓		
Revisar la cuchilla para determinar si hay desgaste o daños Reemplazar si fuera necesario		✓				✓		
Revisar la tubería del combustible Reemplazar si fuera necesario			✓			✓		
Lubricar los ejes de las ruedas			✓			✓	✓	
Revisar la bujía Reemplazar si fuera necesario			✓			✓		
Cambiar el aceite del motor				✓		✓	✓	<b>2,3</b>
Limpiar el filtro de aire Reemplazarlo si está muy sucio			✓			✓		<b>4</b>
Reemplazar la bujía					✓			
Limpiar los depósitos de combustión del cilindro, el pistón y las válvulas					✓			

### ⚠ CUIDADO

#### IMPORTANTE (Notas sobre el programa de mantenimiento)

1. Revisar nuevamente al apriete del sujetador después de las primeras 2 horas del uso inicial.
2. Cambiar el aceite del motor después de las primeras 5 a 8 horas del uso inicial.
3. Cambiar el aceite después de cada 25 horas de operación bajo carga pesada o en temperaturas altas.
4. Limpiar el filtro de aire después de cada 10 horas de operación bajo condiciones de mucho polvo.

### ⚠ ADVERTENCIA

Utilizar sólo piezas de repuesto GENUINAS. Otras piezas podrían averiar la unidad o causar lesiones.

Llame sin costo al: 1-800-737-2112

# Mantenimiento (la siguiente)

• Conserve todas las instrucciones

## **B** Lubricación

Añada una pequeña cantidad de petróleo de motor para lubricar puntos de pivote y partes. Consultar la “Tabla de programa de mantenimiento periódico” para obtener los intervalos de tiempo para lubricación de piezas.

## **C** Cómo cambiar el aceite del motor

**NOTA:** Consultar la figura 10 al seguir los pasos enumerados a continuación:

1. Apagar el motor que ha estado funcionando (motor caliente) y dejarlo enfriar durante 5 minutos.
2. Desconectar el cable de la bujía de la bujía.
3. Levantar el frente de la unidad mediante la reducción de la altura de la rueda delantera. Consultar “Cómo bordear a lo largo de un cordón”.
4. Insertar una palangana bajo de la bordeadora, debajo del tapón de drenaje del aceite y del agujero del marco. (Véase la figura 10)
5. Retirar la varilla aforadora.
6. Retirar el perno y la arandela del drenaje del aceite.
7. Permitir que todo el aceite drene a través del agujero del marco hacia la palangana.

**IMPORTANTE: El aceite usado es un desecho peligroso. Colocar el aceite en un contenedor sellado y llevarlo al centro de reciclaje local. NO descartarlo con los desechos domésticos.**

8. Colocar nuevamente y apretar el tapón del drenaje de aceite y la arandela.
9. Para rellenar el motor con aceite, ver la sección de preparación del motor “Cómo revisar el aceite y llenar hasta el nivel apropiado.”

## **D** Cómo reemplazar la faja

**IMPORTANTE: Utilizar sólo fajas de repuesto del fabricante. Para hacer pedidos de piezas de repuesto, llamar al 1-800-737-2112.**

1. Desconectar el cable de la bujía de la bujía.
2. Para facilitar el reemplazo de una faja, retirar la varilla de control (ver la Fig. 2). Esto permitirá que el brazo de la cuchilla rote hacia atrás para crear holgura en la faja.
3. Retirar los dos pernos del protector posterior para retirar la cubierta de la polea del motor. (Véase la figura 11).
4. Retirar los dos tornillos del protector delantero y el protector de la faja. (Véase la figura 12).

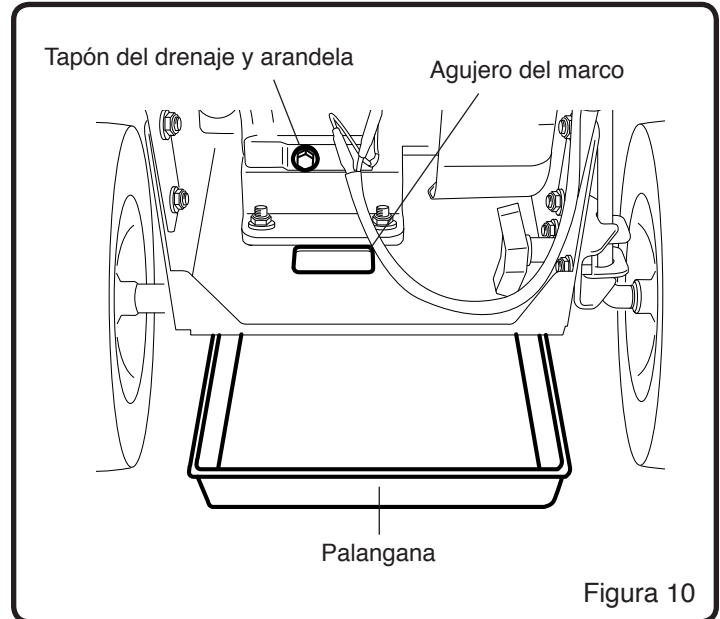


Figura 10

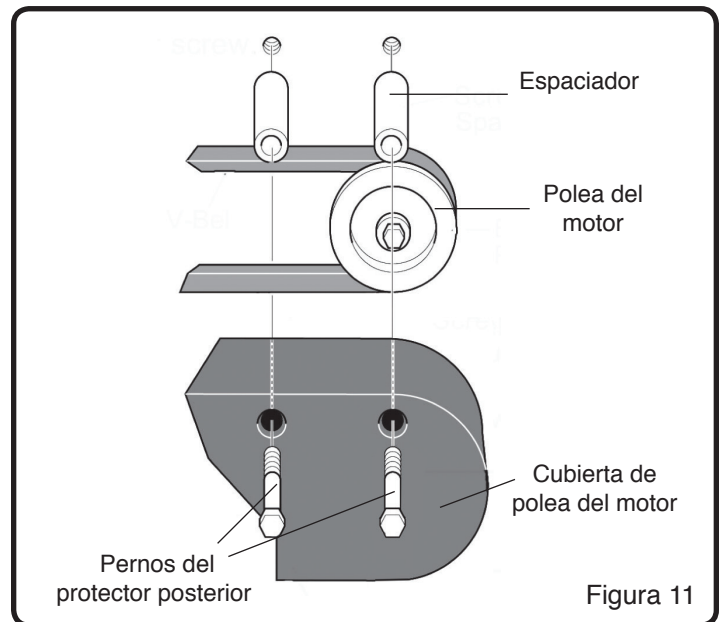


Figura 11

# Mantenimiento (la siguiente)

• Conserve todas las instrucciones

## E Cómo reemplazar la faja (la siguiente)

- Retirar la faja gastada del motor y polea del conjunto del manguito. Reemplazarla con una faja de equipo original.
- Para instalar una faja de repuesto del fabricante, invertir los pasos anteriores.

**NOTA:** Se deben apretar los pernos del protector posterior a 18-22 N·m [13-16 lbf·pie].

**NOTA:** Se deben apretar los tornillos del protector delantero a 6-8 N·m [4-6 lbf·pie].

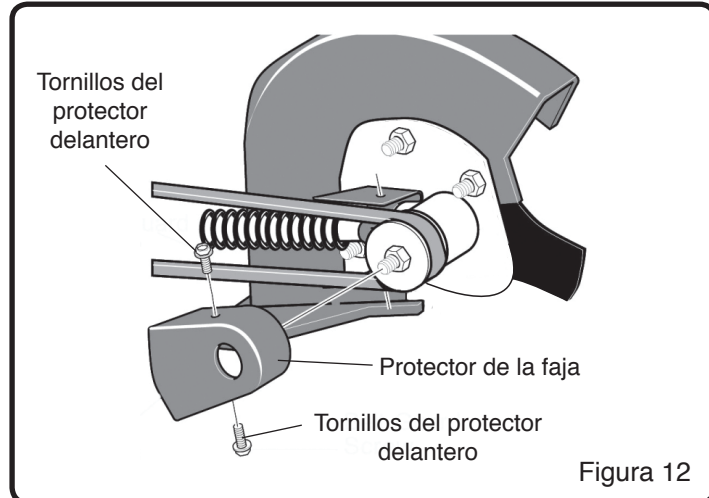


Figura 12

## F Cómo cambiar la cuchilla

### ⚠ ADVERTENCIA

No afilar la cuchilla. El afilado puede dañar la cuchilla y causar la rotura de la misma, lo cual puede causar lesiones al usuario u otros.

La cuchilla está sujeta a mellas, rayaduras y abolladuras, que generalmente no afectan su funcionamiento. También, la cuchilla está sujeta a desgaste, lo cual reduce la profundidad de corte. Reemplazar una cuchilla gastada mediante los pasos siguientes:

**IMPORTANTE:** Utilizar sólo fajas de repuesto del fabricante. Para hacer pedidos de piezas de repuesto, llamar al 1-800-737-2112.

**NOTA:** El reemplazo de la cuchilla requiere dos (2) llaves ajustables de 12 pulgadas o dos (2) llaves de 19 mm [3/4 de pulgada].

- Apagar el motor.
- Desconectar el cable de la bujía de la bujía.
- Retirar la contratuerca de la cuchilla que sujeta la cuchilla al eje de impulsión. (Véase la Figura 13)

**NOTA:** Apretar la contratuerca de la cuchilla a 47-61 N·m (35-45 ft·lbf)

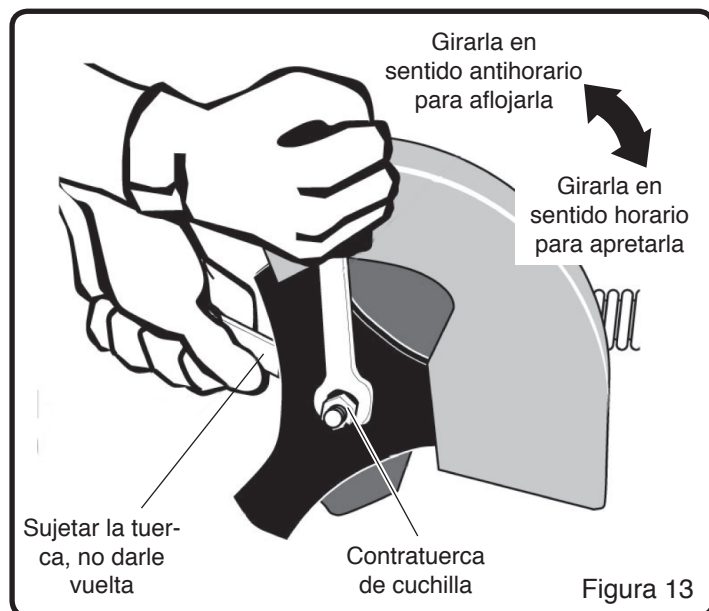


Figura 13

### ⚠ ADVERTENCIA

Para retirar o apretar la contratuerca de la cuchilla, siempre utilizar el método mostrado en la Figura 13. Siempre colocar la llave de sujeción sobre la tuerca detrás de la cuchilla.

- Retirar la cuchilla.
- Reemplazarla con una cuchilla nueva del fabricante mediante la inversión de los pasos anteriores.

# Mantenimiento (la siguiente)

• Conserve todas las instrucciones

## G Cómo limpiar al filtro de aire

Un filtro de aire sucio restringirá la toma de aire. El mantenimiento periódico del filtro de aire contribuirá a mejorar el rendimiento del motor y a reducir las emisiones.

### ⚠ ADVERTENCIA

No limpie nunca el filtro de aire con gasolina o con un solvente que se inflame fácilmente, porque podría causar una explosión.

**NOTA:** Consultar la figura 14 al seguir los pasos enumerados a continuación:

1. Quite los pernos de la cubierta del filtro de aire. (Véase la Figura 14)
2. Quite la cubierta del filtro de aire.
3. Retire cuidadosamente el elemento del filtro para evitar que caiga suciedad en el carburador.
4. Limpie todas las piezas. Lave el elemento del filtro en un solvente ininflamable o de punto de ebullición elevado y deje que se seque completamente; sumerja el elemento del filtro en aceite limpio y exprímalo hasta eliminar todo el exceso de aceite.

5. Reinstale el elemento del filtro.
6. Coloque de nuevo la cubierta del filtro de aire y apriete los pernos.

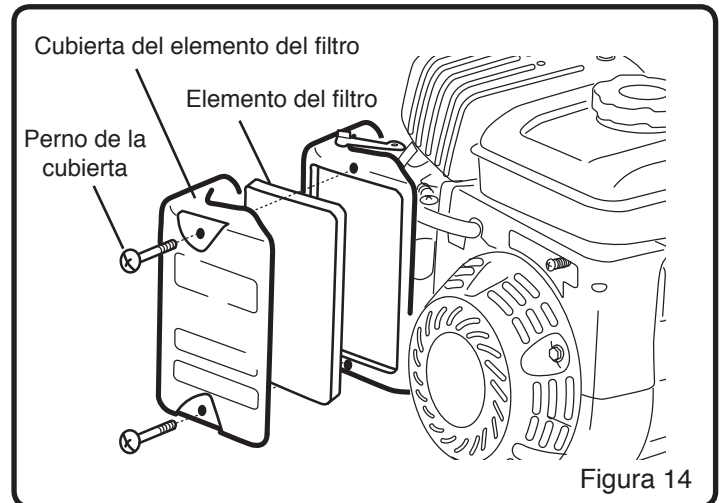


Figura 14

## H Cómo revisar la bujía

**Modelo de bujía: Torch E7RTC**

### ⚠ CUIDADO

Sólo usar la bujía recomendada o una bujía con el mismo intervalo de temperatura. El uso de una bujía inadecuada, un salto de chispa incorrecto o una bujía sucia u hollinada puede reducir el rendimiento del motor y causar averías.

1. Parar el motor y dejarlo enfriar.
2. Quitar el cable de la bujía de encendido. Retirar la bujía tde encendido (Figure 15).
3. Inspeccionar visualmente la bujía para determinar si tiene grietas o daños. Si está agrietada, reemplazarla.
4. Limpiar los depósitos de carbono. Si hay acumulación excesiva de carbono, reemplazar la bujía.
5. Verificar que el salto de chispa de la bujía sea de 0.6 a 0.7 mm (0.024 a 0.028 pulgadas). (Véase la Figura 16)
6. Reinsertar la bujía de encendido y apretar con la barra y llave correspondiente. (Ver Figura 15)
7. Reconectar el cable de la bujía a la bujía.

**NOTA:** el par de torsión de la bujía es de 25 a 30 N-m (18 a 22 pie-libra)

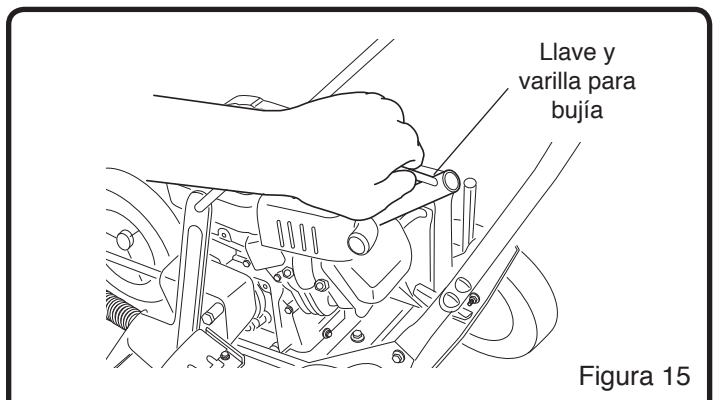


Figura 15

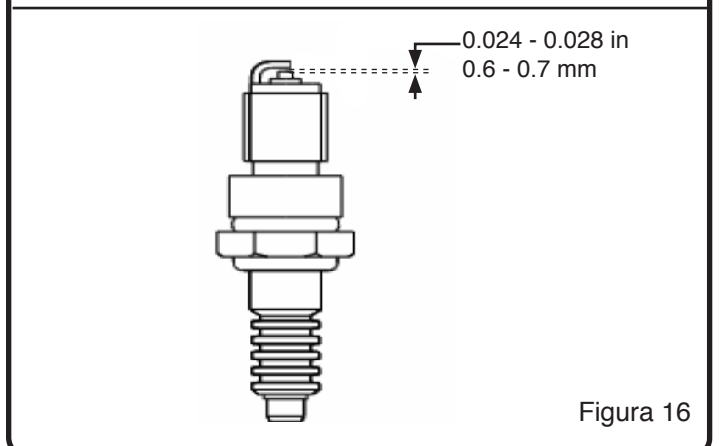


Figura 16



# Mantenimiento *(la siguiente)*

• *Conserve todas las instrucciones*

## **I** *Cómo prepararla para almacenamiento*

### **⚠ ADVERTENCIA**

Jamás almacenar la bordeadora en espacios interiores con combustible en el tanque. Jamás almacenarla en un recinto cerrado, mal ventilado donde las emanaciones pudieran llegar a una llama abierta, una chispa o una luz piloto como la de un horno, calentador de agua o secadora de ropa. Dejar que el motor enfríe antes de almacenar la unidad.

### **⚠ ADVERTENCIA**

No retirar la gasolina dentro de un edificio, cerca de una llama o mientras se fuma. Los vapores de la gasolina pueden causar una explosión o incendio.

**NOTA:** Una revisión anual o afinado en un centro de servicio autorizado servirá para asegurarse que la bordeadora brindará el máximo rendimiento en la siguiente temporada. Para prevenir la corrosión y los depósitos de carburante en el sistema de alimentación de combustible y el carburador de la unidad, se recomienda enfáticamente usar un aditivo/estabilizador formulado para combustibles con etanol. Seguir siempre las instrucciones del fabricante del estabilizador. Dejar que el motor funcione por al menos 5 minutos antes de agregar el estabilizador.

Cuando la bordeadora esté en almacenamiento durante treinta o más días, se deben seguir los pasos siguientes para asegurarse que la bordeadora esté en buenas condiciones para la temporada siguiente.

1. Dejar que el motor marche hasta agotarse la gasolina. Retirar el tornillo de la cubeta del carburador y drenar combustible. Inclinar ligeramente la unidad para sacar todo el combustible. Volver a poner el tornillo.
2. Cambiar el aceite. Para ello, seguir las instrucciones bajo *Cómo cambiar el aceite*.

3. Retirar la bujía del cilindro. Verter una onza de aceite en el cilindro. Lentamente, tirar de la empuñadura de retroceso para que el aceite proteja al cilindro. Instalar una bujía nueva en el cilindro. Tirar del arrancador de retroceso lentamente hasta sentir tensión en la cuerda del arrancador. Esto cerrará las válvulas del cilindro.

### **⚠ ADVERTENCIA**

NO conectar el cable de la bujía a la bujía al almacenar la unidad.

4. Limpiar la bordeadora. Retirar toda suciedad, hojas, despojos, grasa, etc. de la bordeadora, incluyendo las aletas de enfriamiento del cilindro, agujeros de la cubierta del arrancador de retroceso, bajo el tanque de combustible y bajo el silenciador.
5. Revisar la bordeadora para determinar si hay piezas gastadas o dañadas. Hacer que las piezas dañadas sean reemplazadas, si fuera necesario.
6. Apretar todo herraje flojo.
7. Aplicar lubricación como lo indica la sección *Mantenimiento*.
8. Poner la unidad en un edificio que tenga buena ventilación.
9. Cubrir el motor con un material transpirante.

### **⚠ CUIDADO**

No cubrir la bordeadora con plástico. El plástico atrapa la humedad y causa herrumbre.

## **Servicio técnico**

Si se tuvieran preguntas adicionales sobre el montaje, operación o mantenimiento de esta BORDEADORA, se puede contactar a nuestro Departamento de Servicio Técnico al 1-800-737-2112 (solo inglés).

Puede también escribir a:

**Sede social METL - SOLAMENTE CORRESPONDENCIA**  
**ATTN: Servicio técnico – METL**  
**6700 Wildlife Way**  
**Long Grove, IL 60047**

**Al ponerse en contacto con Departamento de servicio técnico, repare:**

- Su nombre
- Su dirección
- Su número de teléfono



**Si necesita ayuda o tiene una duda,  
LLAME SIN COSTO AL: 1-800-737-2112.**

- El número del modelo del producto
- La fecha de compra (incluyendo una copia del recibo para requisitos escritos).

# Diagnóstico y resolución de problemas

• Conserve todas las instrucciones

<b>PROBLEMA</b>	<b>CAUSAS POSIBLES</b>	<b>SOLUCIONES</b>
Dificultad para arrancar el motor	<ol style="list-style-type: none"> <li>1. Falta de combustible</li> <li>2. La barra de control de arranque/ paro no está comprimida</li> <li>3. Estrangulador en la posición “Marcha / Arranque en caliente”</li> <li>4. Cable de la bujía desconectado</li> <li>5. Bujía hollinada</li> <li>6. Carburador sucio</li> <li>7. Filtro de aire obstruido</li> <li>8. Filtro de combustible obstruido</li> <li>9. Combustible contaminado</li> </ol>	<ol style="list-style-type: none"> <li>1. Agregar combustible fresco.</li> <li>2. Tirar de la barra de control de arranque/ paro hacia el asidero.</li> <li>3. Rotar la palanca del estrangulador a la posición “Estrangulador / Arranque en frío”.</li> <li>4. Conectar a la bujía el cable de la misma</li> <li>5. Retirar la bujía. Inspeccionarla. Reemplazarla si fuera necesario.</li> <li>6. Llevar la unidad a un centro de servicio autorizado para limpieza del carburador.</li> <li>7. Retirar y limpiar el filtro de aire.</li> <li>8. Retirar el filtro del combustible. Inspeccionarlo. Reemplazarlo si fuera necesario.</li> <li>9. Drenar el tanque del combustible. Limpiarlo. Llenarlo con combustible fresco.</li> </ol>
<p><u>Problemas del motor</u> El motor emite humo excesivamente La marcha del motor es muy “irregular”. Marcha errática del motor El motor no puede mantener velocidad plena</p>	<ol style="list-style-type: none"> <li>1. Sin aceite de motor</li> <li>2. Nivel inadecuado del aceite del motor</li> <li>3. Bujía hollinada</li> <li>4. Filtro de aire obstruido</li> <li>5. Filtro de combustible obstruido</li> <li>6. Combustible contaminado</li> <li>7. Carburador desajustado</li> <li>8. Estrangulador en la posición “Estrangulador / Arranque en frío”</li> </ol>	<ol style="list-style-type: none"> <li>1. Agregar aceite para motor</li> <li>2. Revisar el aceite del motor. Agregar o drenar aceite para motor si fuera necesario.</li> <li>3. Retirar la bujía. Inspeccionarla. Reemplazarla si fuera necesario.</li> <li>4. Retirar y limpiar el filtro de aire.</li> <li>5. Retirar el filtro del combustible. Inspeccionarlo. Reemplazarlo si fuera necesario.</li> <li>6. Drenar el tanque del combustible. Limpiarlo. Llenarlo con combustible fresco.</li> <li>7. Llevar la unidad a un centro de servicio autorizado para ajuste del carburador.</li> <li>8. Rotar la palanca del estrangulador a la posición “Marcha / Arranque en caliente”.</li> </ol>
Vibración excesiva / ruido	<ol style="list-style-type: none"> <li>1. Piezas flojas</li> <li>2. Engine problems (above)</li> </ol>	<ol style="list-style-type: none"> <li>1. Apretar todos los sujetadores</li> <li>2. Consultar las soluciones para el motor (arriba)</li> </ol>
La cuchilla no gira	<ol style="list-style-type: none"> <li>1. Los despojos interfieren con la cuchilla</li> <li>2. Cuchilla floja</li> <li>3. Faja holgada</li> </ol>	<ol style="list-style-type: none"> <li>1. Retirar los despojos alrededor de la cuchilla</li> <li>2. Apretar la tuerca de la cuchilla.</li> <li>3. Reemplazar la faja</li> </ol>
El motor no para	Los terminales de los cables de tierra están desconectados.	Conectar los terminales de los cables de tierra del asidero y del motor.
La cuchilla no corta apropiadamente	Cuchilla dañada o gastada	Reemplazar la cuchilla.
Paro frecuente del motor	<ol style="list-style-type: none"> <li>1. Velocidad / profundidad excesiva de bordeado</li> <li>2. Problemas del motor (arriba)</li> </ol>	<ol style="list-style-type: none"> <li>1. Bordesear a ritmo moderado. Efectuar cortes múltiples.</li> <li>2. Consultar las soluciones para el motor (arriba)</li> </ol>

# Garantía

• *Conserve todas las instrucciones*

## **A** *Garantía limitada de la BORDEADORA Southland® PARA CÉSPED*

Al contactar la fábrica, siempre especificar el número del modelo.

Nos reservamos el derecho de enmendar estas especificaciones en cualquier momento y sin aviso previo. La única garantía pertinente es nuestra garantía estándar por escrito. No ofrecemos ninguna otra garantía, expresa o implícita. MAT Engine Technologies, LLC garantiza que esta Bordeadora para césped y todas las piezas de la misma, carecerán de defectos en materiales y mano de obra durante dos años (90 días para uso comercial) a partir de la fecha de compra original en un concesionario autorizado, siempre y cuando se haya dado mantenimiento adecuado al producto y se lo haya operado de conformidad con todas las instrucciones pertinentes. Se extiende esta garantía únicamente al comprador al por menor original. Se ha de presentar el contrato de venta o prueba de compra al efectuarse una reclamación bajo esta garantía. Esta garantía no cubre uso industrial o de alquiler, y asimismo, no es pertinente a piezas que no estén en su condición original debido a desgaste normal o piezas que fallan o sufren averías como resultado de uso indebido, accidente, falta de mantenimiento apropiado, manipulación imprudente y peligrosa, o alteración. Los costos de viaje, manipulación, transporte e incidentales asociados con reparaciones bajo garantía no son reembolsables bajo esta garantía y son responsabilidad del propietario. Hasta donde lo permita la ley de la jurisdicción que gobierne la venta de este producto, esta garantía expresa excluye cualesquier y toda otra garantía expresa y limita la duración de cualesquier y toda garantías implícitas, incluyendo las garantías de comerciabilidad e idoneidad para un propósito específico durante dos años a partir de la fecha de compra original, y por la presente, se limita la responsabilidad de MAT Engine Technologies, LLC al precio de compra del producto y MAT Engine Technologies, LLC no será responsable por ningún otro daño en lo absoluto, incluyendo daños incidentales o emergentes. Algunos estados no permiten limitaciones sobre la duración de una garantía implícita, ni la exclusión o limitación de los daños emergentes, por lo cual la limitación de daños anterior podría no ser pertinente en algunos casos. Esta garantía brinda al comprador original derechos jurídicos específicos.

Para obtener información sobre esos derechos, por favor consultar las leyes estatales pertinentes.

**Sede de METL - SÓLO CORRESPONDENCIA**  
**Atención: Servicio Técnico - METL**  
**6700 Wildlife Way**  
**Long Grove, IL 60047**

La garantía del sistema de control de emisiones contaminantes está proporcionada por el fabricante del motor y está incluida con este producto y administrada por MAT Engine Technologies, LLC.

***Si se tiene alguna pregunta sobre la cobertura del propietario al amparo de esta garantía, ponerse en contacto con Servicio al cliente de METL:***



***Si se necesita ayuda o se tienen preguntas, LLAMAR GRATUITAMENTE AL: 1-800-737-2112***