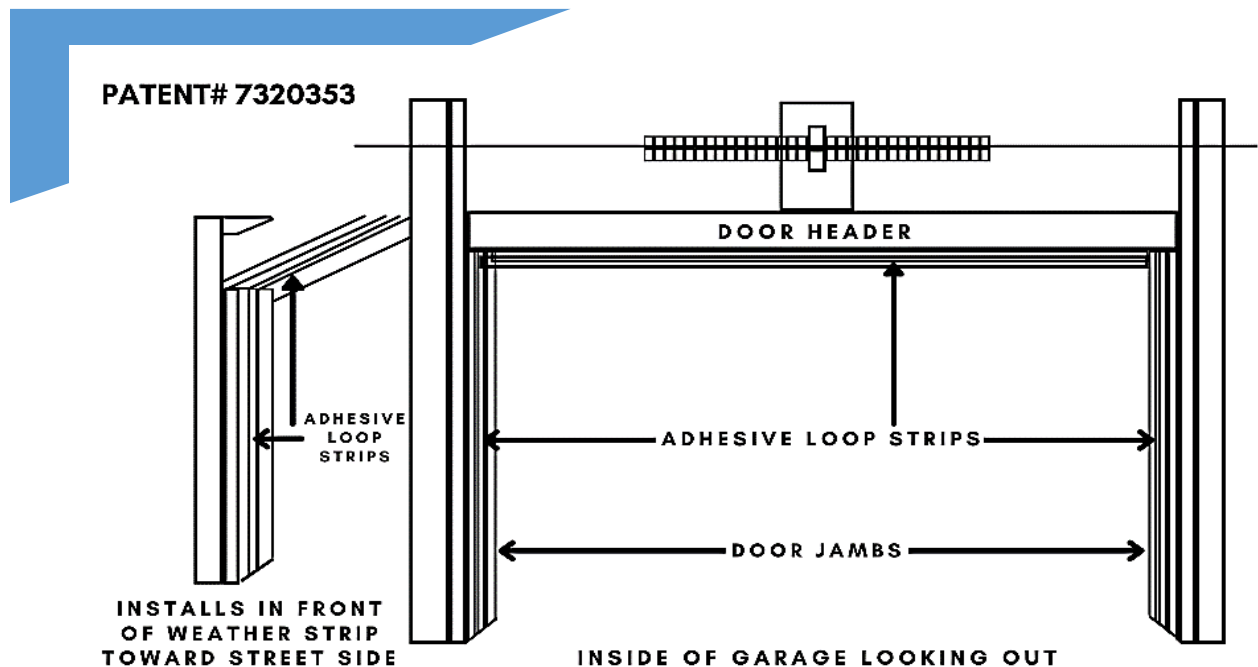


Installation Instructions

ROPE AND PULL KIT FOR MODEL C



WHAT YOU WILL NEED:

INCLUDED:

- 1 FRESH AIR SCREEN
- 1 ROLL OF SELF-ADHESIVE LOOP STRIP
- MOUNTING BRACKETS (3 IN A SMALL KIT, 4 IN A LARGE KIT)
- EYELETS (4 IN A SMALL KIT, 5 IN A LARGE KIT)
- CORDS (3 IN A SMALL KIT, 4 IN A LARGE KIT | EACH WILL BE IN DIFFERENT LENGTHS)
- WOOD SCREWS (8 IN A SMALL KIT, 10 IN A LARGE KIT)
- 1 CLEAT

NOT INCLUDED:

- HAMMER
- PHILIPS SCREWDRIVER
- STEP LADDER
- 5/8" ROOFING NAILS (OPTIONAL)
- 3/4" PIPE (PVC RECOMMENDED) CUT TO THE WIDTH OF THE SCREEN (STEP 5)

Use steps 1-4 to install your Fresh Air Screen. Use Steps 5-8 to install the Rope and Pull Kit. If you already have a Fresh Air Screen installed, skip to step 5.

STEP 1

Measure the height of the door jambs and the length of the header. Cut the self-adhesive loop roll into three strips equal to those measurements.

STEP 2

Apply the Self-Adhesive Loop.

- Select an adhesive loop strip that was measured and cut for the door jambs in step 1. Align and press to seal the self-adhesive loop strip on one door jamb about 1" in front (street side) of the door stop/weather strip. Repeat this step for the other side.
- Add the last adhesive loop strip to the header, which should line up with the loop strips on both door jambs to create a smooth surface edge.

Recommendation: Apply roofing nails (optional) to the adhesive loop strips for a more permanent hold. **DO NOT PUNCTURE THE SCREEN.** Replacement adhesive loop strips are available for purchase.

STEP 3

Start at an upper corner to attach the screen to the adhesive loop. Align the hook strip (sewn to the screen) to the adhesive loop strip (attached to the garage in step 2) and press firmly to connect the strips. Work your way across the header, then down each side of the frame.

STEP 4

Insert a $\frac{3}{4}$ " rod into sewn pouch on bottom of screen to maintain position and shape when rolled up.

STEP 5

Attach the **cleat**, using the **wood screws**, to the door jamb between the garage door and screen, about 5' high on whichever side you want to pull from.

STEP 6

Install **eye screws**. All eye screws should go into the header on the inside of the screen approximately 1" away.

Eye screw 1 – (Small kit) Place in center of the header (equally centered from both sides of the garage opening. (Large Kit) Place in the header 1/3 the distance from the side furthest from the cleat.

Eye screw 5 – (Large kit only!) Place in the header 1/3 the distance from the side closest to the cleat.

Eye Screw 2- Screw into header 12" from the end of the header *furthest* away from the cleat.

Eye Screw 3- Screw into header 12" from the end of the header *closest* to the cleat.

Eye Screw 4- Place within 6" from same side as cleat.

STEP 7

Attach **brackets** to the header (street side) across from eye screws 1, 2, and 3, (and 5 for large kits)

STEP 8

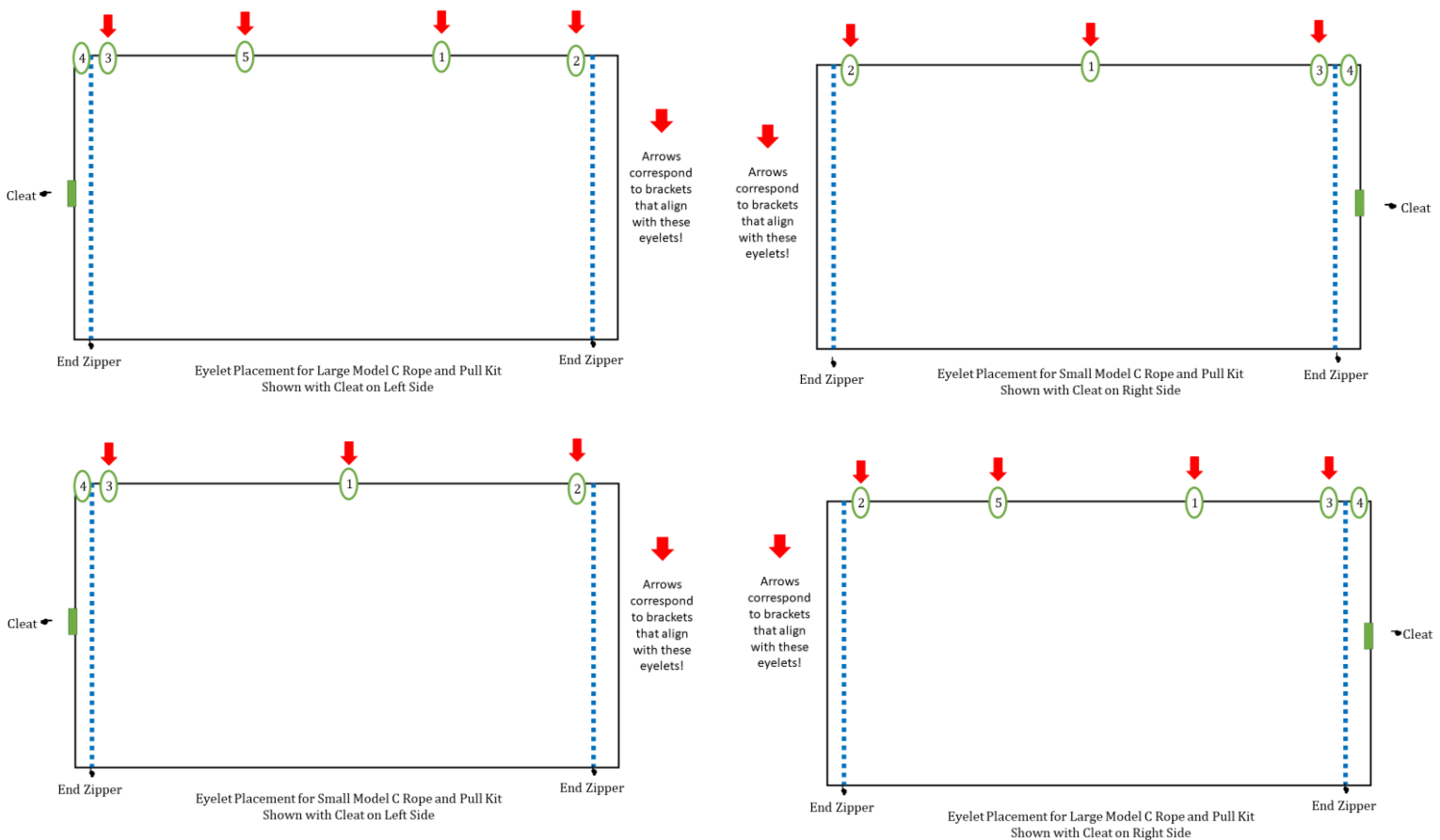
Insert the **cords** accordingly:

Longest Cord- Insert the knotted end into the bracket across from Eye Screw 2. Run the cord down the screen, then back up to Eye Screw 2. Run the cord through Eye Screw 2 and the remaining eyelets, and down to the cleat.

Mid-length Cord- (This will be the second longest cord in a large kit) Insert the knotted end into the bracket across from Eye Screw 1. Run the cord down the screen, then back up to Eye Screw 1. Run the cord through Eye Screw 1 and the remaining eyelets, and down to the cleat.

Mid-length Cord – large kit only- (This will be the next longest cord in a large kit) Insert the knotted end into the bracket across from Eye Screw 5. Run the cord down the screen, then back up to Eye Screw 5. Run the cord through Eye Screw 5 and the remaining eyelets, and down to the cleat.

Shortest Cord- Insert the knotted end into the bracket across from Eye Screw 3. Run the cord down the screen, then back up to Eye Screw 3. Run the cord through Eye Screw 3 and 4, and down to the cleat. With the screen pulled all the way down, tie all 3 cords together about 12” below the cleat and cut off any excess cord.



For more information on installation and accessories, please visit www.freshairscreens.com.

Visit www.freshairscreens.com/support for warranty information. Terms and Conditions apply.

Consumer Warning: *This accessory contains ropes which may pose a strangulation hazard for children. This accessory is optional and removable for child-proofing purposes. Consider using alternative models that do not contain ropes where children are present. Contains small parts. ***Never leave children unattended; keep small parts from children.***