

# IMPORTANT INSTRUCTIONS - OPERATING MANUAL

# Lasko®

## **ULTRA AIR 48" PERFORMANCE TOWER FAN with NIGHTTIME FEATURE and REMOTE CONTROL MODEL T48335**

This Fan is for residential use only.  
It is not intended to be used in commercial, industrial or agricultural settings.



Register Your Product Today  
[www.lasko.com/product-registration](http://www.lasko.com/product-registration)



You will benefit from:

- Efficient and enhanced support
- Future product updates

Scan with a smart phone

## **READ AND SAVE THESE INSTRUCTIONS**

**READ CAREFULLY BEFORE ATTEMPTING TO ASSEMBLE,  
INSTALL, OPERATE OR MAINTAIN THE PRODUCT DESCRIBED.  
PROTECT YOURSELF AND OTHERS BY OBSERVING ALL SAFETY  
INFORMATION. FAILURE TO COMPLY WITH INSTRUCTIONS COULD  
RESULT IN PERSONAL INJURY AND/OR PROPERTY DAMAGE!**

**Have a Question? Need a Part?  
Please Do Not Return Product to Store!  
Contact Lasko Customer Service:  
1-800-233-0268 Monday-Friday 8AM - 5PM EST.  
(VALID IN THE USA, ITS TERRITORIES, AND CANADA ONLY)**



## IMPORTANT SAFETY INSTRUCTIONS

When using electrical appliances, these instructions and warnings should always be followed to reduce the risk of fire, electrical shock and injury to persons:



Read all instructions before using this Fan.



### WARNING

**TO REDUCE THE RISK OF FIRE, ELECTRICAL SHOCK OR PERSONAL INJURY, ALWAYS FOLLOW THESE IMPORTANT SAFETY INSTRUCTIONS AND WARNINGS:**



**DO NOT** use this Fan to ventilate areas where flammable liquids or vapors are used, stored or are present, including paints, gasoline, varnishes, floor refinishing products or solvents. **ALWAYS** read and follow all warnings and instructions on the containers for these products!



**ALWAYS** be sure the plug fits tightly into the outlet. When plugs fit loosely into outlets, they may slip partially out of the outlet and create a poor connection. This may cause outlets to overheat and create a potential fire hazard. Outlets in this condition should be replaced by a qualified electrician.



**ALWAYS** unplug the power cord when servicing, cleaning or moving the Fan. **DO NOT** use the ON/OFF switch as the sole means of disconnecting power. **NEVER** leave children unattended when the Fan is on or plugged in. **ALWAYS** turn off and unplug the Fan when not in use.



**BE CERTAIN** that the power source for the Fan is 120V AC. **DO NOT** plug the Fan into 240V or other power source.



The **Blue Plug™** on your Lasko Fan is a safety feature. It contains a non-replaceable safety device (fuse) that should not be removed or tampered with. To reduce the risk of fire, electric shock and personal injury, **DO NOT** attempt to remove, replace, repair or tamper with the originally supplied plug. If the Fan has stopped functioning, it may be due to the safety device incorporated in this plug.



**THIS FAN HAS A POLARIZED PLUG** (one blade is wider than the other). This plug is designed to fit into the outlet only one way. Match the wide blade to wide slot in outlet and **FULLY INSERT**. **DO NOT** attempt to bypass or defeat this safety feature. If the plug does not fit in the outlet, consult a qualified electrician. The outlet may need to be replaced.



### CAUTION

- **AVOID** the use of extension cords, power strips, power taps, outlet style air fresheners or other cord connected device, as these devices may overheat and cause a fire hazard.
- **DO NOT** route power cord under rugs, carpets, runners or furniture. This may damage the cord or cause it to overheat creating a fire hazard.
- **ALWAYS** place the Fan on a stable, flat, level surface while in operation to prevent the Fan from overturning.
- **NEVER** insert or allow fingers or objects to enter grill openings while Fan is in operation or injury and/or damage to the Fan may occur.
- **DO NOT** block, cover or obstruct air flow to or from the Fan while in operation.
- **DO NOT** use this Fan outdoors or near water or wet locations such as a bath tub, pool or hot tub. Use of this Fan in a wet location may create a shock hazard.
- **DO NOT** run cord under carpeting. Do not cover cord with throw rugs, runners, or similar coverings. Do not route cord under furniture or appliances. Arrange cord away from traffic area and where it will not be tripped over.
- **NEVER** use a single extension cord to operate more than one Fan or other electrical device.
- **DO NOT** use this Fan if it has been damaged or is not functioning properly.
- Remote controls for other appliances or electronic equipment can sometimes interfere with the operation of this Fan. If this occurs, move the Fan to another location.
- Keep Fan remote control unit away from chairs and your bed where it may be sat or laid upon and inadvertently turn on the Fan.
- **THIS FAN DOES NOT MEET THE REQUIREMENTS OF NEC ARTICLE 547-7 (2008).** This Fan is not suitable for use in agricultural facilities including areas where livestock, poultry or other animals are confined. Please refer to National Electric Code (NEC) Article 547-7 (2008), or applicable state or local codes or standards relating to electrical requirements for agricultural buildings.
- **THIS FAN DOES NOT MEET THE REQUIREMENTS OF NEC ARTICLE 500 (2008).** This Fan is not suitable for use in hazardous locations. Please refer to National Electric Code (NEC) Article 500 or applicable state or local codes or standards relating to electrical requirements for hazardous locations.

**NOTICE:** This equipment has been tested and found to comply with the limits for a Class B digital device, pursuant to Part 15 of the FCC Rules. These limits are designed to provide reasonable protection against harmful interference in a residential installation. This equipment generates uses and can radiate radio frequency energy and, if not installed and used in accordance with the instructions, may cause harmful interference to radio communications. However, there is no guarantee that interference will not occur in a particular installation. If this equipment does cause harmful interference to radio or television reception, which can be determined by turning the equipment off and on, the user is encouraged to try to correct the interference by one or more of the following measures: Reorient or relocate the receiving antenna. Increase the separation between the equipment and receiver. Connect the equipment into an outlet on a circuit different from that to which the receiver is connected. Consult the dealer or an experienced radio/TV technician for help. The user is cautioned that changes and modifications made to the equipment without the approval of manufacturer could void the user's authority to operate this equipment.

## SAVE THESE INSTRUCTIONS

# MODEL T48335

## ASSEMBLY

1. For ease of assembly, lay the Fan down so that the front grill and control panel are facing up.
2. Assemble the Support Base Halves by interlocking the **Tabs** on **Support Base A** into the **Slots** on **Support Base B**. (*Figure 1*)

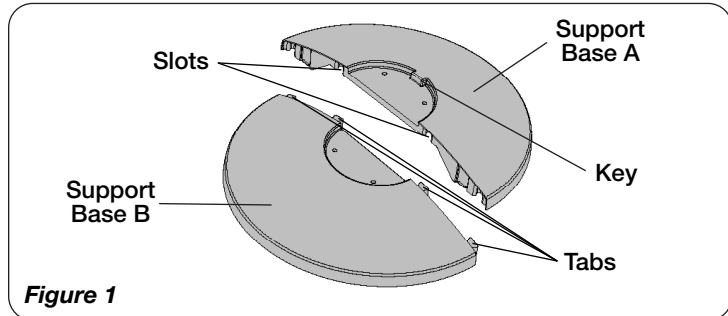


Figure 1

3. Align the **Support Base Assembly** with the Motor Base. Make certain to align the **Key** on the **Support Base Assembly** with the Locating Notch on the Motor Base. Attach the **Support Base Assembly** to the Motor Base with **Thumb Screws** (*Figure 2*).

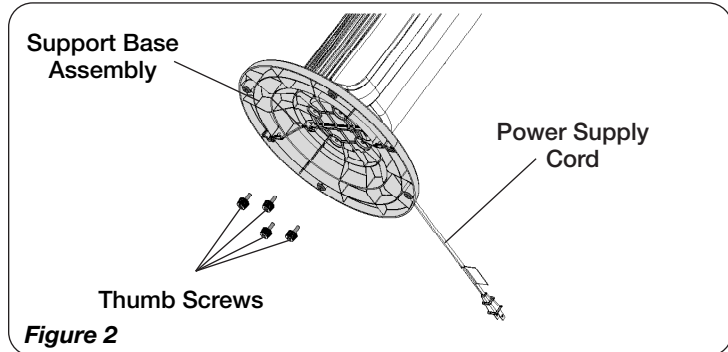


Figure 2

## OPERATION

This Fan may be operated by the Manual Controls located on front of the unit (*Figure 3*) or by the Remote Control (*Figure 4*).

1. Place the Fan on a firm and level surface.
2. Plug the cord set into a 120 volt outlet.

**⚠ WARNING** Be sure that the plug fits tightly into outlet.



When plugs fit loosely into receptacles, they may slip partially or completely out of the receptacle with only the slight movement of the attached cord. Receptacles in this condition may overheat and pose a serious fire hazard; if covered by a curtain or drape, the fire hazard is even greater.

3. Apply power to the Fan by pushing the **Power Button** (⏻). The Fan will initially operate in High Speed, speed 3.
4. **FAN SPEED:** You may now adjust the Fan speed to the desired level, 3, 2, or 1 by pressing the Fan **Speed Button** (⚙️).
5. **OSCILLATION:** Press the **Oscillation Button** (↺) to start and stop the oscillation function.
6. **TIMER FUNCTION:** This Fan is equipped with a timer. The timer can be set for 1-8 hours. Continue pressing the **Timer Button** (🕒) to reach the desired time setting. To cancel timer, press **Timer Button** (🕒) until lights are extinguished.
7. **NIGHTTIME FEATURE:** Press the **Nighttime Button** (🌙) once to turn function on. The lights on the Fan will dim 50%. Fan will run on High (3) for one hour, change to Medium (2) for one hour, then finally switch to Low (1) until user interacts with Fan. Nighttime feature does not work with any other function, except Oscillation. Press any other button to cancel Nighttime feature.
8. After turning the Fan off, unplug the unit from the electrical outlet.



Figure 3

## REMOTE CONTROL

1. Install two “AAA” batteries (not included) as shown in *Figure 4*.
2. All the functions performed with the Remote Control work identically to the Manual Controls.
3. Do not mix old and new batteries. Do not mix alkaline, standard (carbon-zinc) or rechargeable (nickel-cadmium) batteries.
4. **DO NOT DISPOSE OF BATTERIES IN FIRE. BATTERIES MAY EXPLODE OR LEAK.**

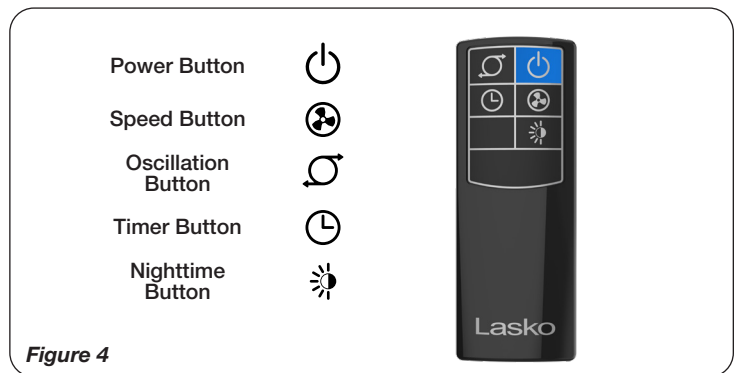


Figure 4

# MODEL T48335

## MAINTENANCE

### ⚠ WARNING

To reduce the risk of electrical shock and fire please observe the following instructions:



- Always unplug the cord before moving, servicing or cleaning.
- NEVER place the Fan in or near water.
- Clean the Fan only with a vacuum equipped with a brush attachment; the vacuum will remove the lint and dirt from inside the Fan.



- NEVER attempt to take apart the Fan.
- Clean the body of the Fan with a soft cloth only.
- NEVER use ALCOHOL or SOLVENTS such as gasoline, benzene, paint thinner, or other harsh cleaners.

## TROUBLE SHOOTING TIPS

If your Fan fails to operate, see below for a list of probable causes and solutions:

1. Be sure the power cord is plugged into a working electrical outlet.
2. Make certain the batteries in the remote control are new and properly installed.

If you have a problem that can not be resolved by the steps listed above, contact Technical Assistance at (800) 233-0268, Monday through Friday, between the hours of 8:00 a.m. and 5:00 p.m. Eastern.

**SERVICING:** For servicing, other than general user maintenance, please contact Customer Service at (800) 233-0268, Monday through Friday, from 8am-5pm Eastern.

**STORAGE:** Store the Fan with these instructions, in the original carton in a cool, dry place.

**LUBRICATION:** Motor is permanently lubricated.

**DISPOSITION:** Corrugated packaging materials are recyclable. For environmentally responsible disposal of this product, contact your local waste service provider or visit [www.1800recycling.com](http://www.1800recycling.com)®.

### LASKO PRODUCTS, LLC LIMITED WARRANTY (VALID IN THE USA, ITS TERRITORIES, AND CANADA ONLY)

**WHAT THIS WARRANTY COVERS:** This product is warranted against defects in workmanship and/or materials.

**HOW LONG THIS WARRANTY LASTS:** This warranty extends only to the original purchaser of the product and lasts for one (1) year from the date of original purchase or until the original purchaser of the product sells or transfers the product, whichever first occurs.

**WHAT LASKO WILL DO:** During the warranty period, Lasko will, at its sole option, repair or replace any part or parts that prove to be defective or replace the whole product with the same or comparable model. For all warranty claims, the product must be returned to Lasko Products, LLC at customer expense with proof of purchase within the warranty period. Contact the Lasko customer service department to obtain a Return Authorization ("RA"). DO NOT return products without an RA or the warranty claim will not be processed.

**WHAT THIS WARRANTY DOES NOT COVER:** This warranty does not apply if the product was damaged or failed because of accident, improper handling or operation, shipping damage, abuse, misuse, unauthorized repairs made or attempted. This warranty does not cover shipping costs for the return of products to Lasko for repair or replacement. Lasko will pay return shipping charges from Lasko following warranty repairs or replacement.

**ANY AND ALL WARRANTIES, EXPRESSED OR IMPLIED (INCLUDING, WITHOUT LIMITATION, ANY IMPLIED WARRANTY OF MERCHANTABILITY), LAST ONE YEAR FROM THE DATE OF ORIGINAL PURCHASE OR UNTIL THE ORIGINAL PURCHASER OF THE PRODUCT SELLS OR TRANSFERS THE PRODUCT, WHICHEVER FIRST OCCURS AND IN NO EVENT SHALL LASKO'S LIABILITY UNDER ANY EXPRESS OR IMPLIED WARRANTY INCLUDE (I) INCIDENTAL OR CONSEQUENTIAL DAMAGES FROM ANY CAUSE WHATSOEVER, OR (II) REPLACEMENT OR REPAIR OF ANY HOUSE FUSES, CIRCUIT BREAKERS OR RECEPTACLES. NOTWITHSTANDING ANYTHING TO THE CONTRARY, IN NO EVENT SHALL LASKO'S LIABILITY UNDER ANY EXPRESS OR IMPLIED WARRANTY EXCEED THE PURCHASE PRICE OF THE PRODUCT AND ANY SUCH LIABILITY SHALL TERMINATE UPON THE EXPIRATION OF THE WARRANTY PERIOD.**

Some states and provinces do not allow limitations on how long an implied warranty lasts, or the exclusion or limitation of incidental or consequential damages, so these exclusions or limitations may not apply to you. This warranty gives you specific legal rights. You may also have other rights which vary from state to state and province to province.

Proof of purchase is required before a warranty claim will be accepted.

### CUSTOMER SERVICE:

Toll-Free (800) 233-0268. Email: [producthelp@lasko.com](mailto:producthelp@lasko.com)

Our Customer Service team is available to assist you with product and service questions, and replacement parts. They can be reached Monday through Friday, 8am-5pm Eastern. Please have your model number available, as well as the type and style (located on the underside of your product).

Customer Service Dept., 820 Lincoln Ave., West Chester, PA 19380  
(Please do not send product to this location) [www.lasko.com](http://www.lasko.com)

Manual printed in China

# Lasko®

## **VENTILADOR DE TORRE ULTRA AIR PERFORMANCE DE 121,9 cm con CARACTERÍSTICA DE NOCHE Y CONTROL REMOTO**

**MODELO T48335**

**Este Ventilador es sólo para uso residencial.  
No está destinado para ser usado en instalaciones comerciales,  
industriales o agricultura.**



**Registre su producto hoy**  
[www.lasko.com/product-registration](http://www.lasko.com/product-registration)



Podrás disfrutar de los siguientes beneficios:

- Soporte eficiente y avanzado
- Actualizaciones acerca del producto en el futuro

Escanee con un teléfono inteligente

## **LEA Y GUARDE ESTAS INSTRUCCIONES**

**LEA CUIDADOSAMENTE LAS INSTRUCCIONES ANTES DE INTENTAR ARMAR, INSTALAR, USAR O DAR MANTENIMIENTO AL PRODUCTO DESCRITO. PROTÉJASE A SÍ MISMO Y A LOS DEMÁS CUMPLIENDO CON TODA LA INFORMACIÓN DE SEGURIDAD. EL NO SEGUIR LAS INSTRUCCIONES PODRÍA RESULTAR EN LESIONES PERSONALES Y/O DAÑOS A LA PROPIEDAD.**

**Tiene Preguntas? Necesita una Parte?  
Por favor no regrese el producto a la tienda!  
Contacte al departamento de servicio al cliente  
de Lasko Products: 1-800-233-0268  
Lunes - Viernes 8am a 5pm (Tiempo del Este)  
(VÁLIDO EN EE.UU., SUS TERRITORIOS, Y CANADÁ ÚNICAMENTE)**



# ADVERTENCIA



## INSTRUCCIONES IMPORTANTES DE SEGURIDAD

Quando use este ventilador, se deben de seguir las siguientes advertencias y precauciones para reducir el riesgo de incendio, descargas eléctricas y lesiones:



Lea todas las instrucciones antes de usar este Ventilador.



### ADVERTENCIA

**PARA REDUCIR EL RIESGO DE INCENDIOS, DESCARGAS ELÉCTRICAS SIEMPRE SIGA LAS SIGUIENTES INSTRUCCIONES Y ADVERTENCIAS:**



**NO** utilice este ventilador para ventilar las zonas donde se usen, almacenen o estén presentes líquidos o vapores inflamables, incluidos pinturas, gasolina, barnices, disolventes o productos de acabado para pisos. ¡SIEMPRE lea y siga todas las advertencias e instrucciones descritas en los envases de estos productos!



**SIEMPRE** asegúrese de que el enchufe encaje bien en el tomacorriente. Cuando los enchufes no encajan bien en el tomacorriente, pueden deslizarse un poco y crear una mala conexión. Esto puede causar que los tomacorrientes se sobrecalienten y crear un riesgo de incendio potencial. Un electricista calificado debe cambiar los tomacorrientes que se encuentren en esta condición.



**SIEMPRE** desenchufe el cable de corriente cuando realice mantenimiento, limpieza o mueva el ventilador. **NO** use el interruptor ENCENDIDO/APAGADO (ON/OFF) como el único medio para desconectar de la electricidad. **NUNCA** deje a los niños sin supervisión cuando el ventilador esté encendido o conectado. **SIEMPRE** apague y desenchufe el ventilador cuando no esté en uso.



**ASEGURESE** que la fuente de energía para el ventilador sea de 120 Vca. **NO** enchufe el ventilador en una fuente de energía de 240 Vca ni en ninguna otra fuente de energía que no sea la indicada.

El Blue Plug™ en su ventilador Lasko es una característica de seguridad. Contiene un dispositivo de seguridad no reemplazable (fusible) que no debe ser removido ni manipulado. Para reducir el riesgo de incendios, descargas eléctricas y lesiones, **NO** remueva, reemplace, repare ni manipule el enchufe suministrado originalmente. Si el ventilador no funciona adecuadamente, puede deberse al dispositivo de seguridad incorporado en este enchufe.



**ESTE ARTEFACTO TIENE UN ENCHUFE POLARIZADO** (una hoja del ventilador es más amplia que la otra). Este enchufe está diseñado para encajar en el tomacorriente de una sola forma. Haga coincidir la patilla ancha del enchufe con la ranura ancha del tomacorriente e **INSÉRTELA COMPLETAMENTE**. **NO** intente modificar o anular esta medida de seguridad. Si el enchufe no encaja en el tomacorriente, consulte a un electricista calificado. El enchufe puede necesitar ser reemplazado.

### PRECAUCIÓN

- **EVITE** el uso de cables de extensión, enchufes múltiples, triples, ambientadores eléctricos u otro dispositivo conectado por cables, ya que estos dispositivos pueden sobrecalentarse y causar un riesgo de incendio.
- **NO** coloque los cables de alimentación debajo de alfombras, tapetes o muebles. Esto puede dañar el cable o causar que se sobrecaliente y originar un riesgo de incendio
- **SIEMPRE** colocar el ventilador en una superficie estable, plana y nivelada mientras esté funcionando para evitar que el ventilador se caiga.
- **NUNCA** inserte ni permita que introduzcan los dedos u objetos en las aberturas de la parrilla del ventilador mientras este esté en funcionamiento, ya que el ventilador puede dañarse o malograrse.
- **NO** bloquee, cubra ni obstruya el flujo de aire hacia o desde el ventilador mientras esté en funcionamiento.
- **NO** utilice este ventilador al aire libre o cerca del agua o lugares húmedos como bañeras, piscinas o jacuzzis. El uso de este ventilador en un lugar húmedo puede provocar una descarga eléctrica.
- **NO** cubra el cable de corriente con tapetes, alfombras estrechas o artículos de coberturas similares. No coloque el cable de corriente debajo de muebles o artefactos. Coloque el cable de corriente lejos del tráfico de la habitación, donde las personas no se tropiecen con éste.
- **NUNCA** use un solo cable de extensión para hacer funcionar más de un ventilador u otro aparato eléctrico.
- **NO** use este ventilador si es que se ha dañado o si no funcione adecuadamente.
- Cuando use el control remoto de su televisor u otro equipamiento, verifique para controlar que no encienda el Ventilador también.
- Mantenga la unidad de control remoto del Ventilador lejos de sillas y de su cama donde exista la posibilidad de que alguien se sienta encima, deposite elementos sobre él o encienda el Ventilador inadvertidamente.
- **ESTE VENTILADOR NO CUMPLE CON LOS REQUERIMIENTOS DEL ARTÍCULO 547-7 (2008) DEL NEC.** Este ventilador no es adecuado para su uso en instalaciones agrícolas, incluyendo las áreas donde el ganado, aves de corral u otros animales están encerrados. Consulte el Artículo 547-7 (2008) del Código Eléctrico Nacional (NEC) o los códigos o normas locales o estatales aplicables, relacionados con los requerimientos eléctricos para las instalaciones de agricultura.
- **ESTE ARTEFACTO NO CUMPLE CON LOS REQUISITOS DEL ARTÍCULO 500 DEL NATIONAL ELECTRICAL CODE (Código Eléctrico Nacional) 2008.** Este ventilador no es adecuado para uso en lugares peligrosos. Consulte el Artículo 500 del Código Eléctrico Nacional (NEC) o LOS CÓDIGOS O NORMAS LOCALES O ESTATALES APLICABLES, RELACIONADOS CON LOS REQUERIMIENTOS ELÉCTRICOS PARA LOS SITIOS PELIGROSOS.

**AVISO:** Este equipo ha sido probado y cumple con los límites para aparatos digitales Clase B, conforme a la Parte 15 de las Normas de la FCC. Estos límites están diseñados para brindar protección razonable contra la interferencia perjudicial en una instalación residencial. Este equipo genera, utiliza y puede irradiar energía de frecuencias de radio y, si no se instala y utiliza de conformidad con las instrucciones, puede causar interferencia perjudicial a las comunicaciones de radio. Sin embargo, no hay garantía de que la interferencia no ocurra en una instalación en particular. Si este equipo no causa interferencia perjudicial a la recepción de radio o televisión, lo cual se puede determinar al encender y apagar el equipo, el usuario puede intentar corregir la interferencia con una o más de las siguientes medidas: Reorientar o reubicar la antena receptora. Aumentar la separación entre el equipo y el receptor. Conectar el equipo en un tomacorriente de un circuito diferente a donde está conectado el receptor. Pedir ayuda al distribuidor o a un técnico experimentado de televisión y radio. Se informa al usuario que los cambios y las modificaciones realizadas al equipo sin la aprobación del fabricante pueden anular la autoridad del usuario de operar este equipo.

## CONSERVE ESTAS INSTRUCCIONES

# MODELO T48335

## ENSAMBLAJE

1. Para facilitar el armado, recueste el Ventilador de modo que la parrilla negra y el tablero de control den hacia arriba.
2. Arme las Mitades de la Base de Apoyo encastrando las **Puntas** de la **Base de Apoyo A** con los **Orificios para Puntas** en la **Base de Apoyo B**. (Figura 1)

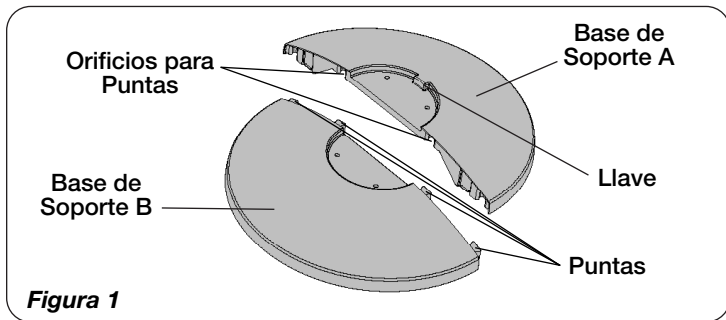


Figura 1

3. Alinee la Montura de la Base de Apoyo con la Base del Motor. Cerciórese de alinear la **Llave** del **Conjunto de la Base de Soporte** con la **Muesca Localizadora** de la Base Del Motor. Adose la Montura de la Base de Apoyo a la Base del Motor con **Tornillos**. (Figura 2)

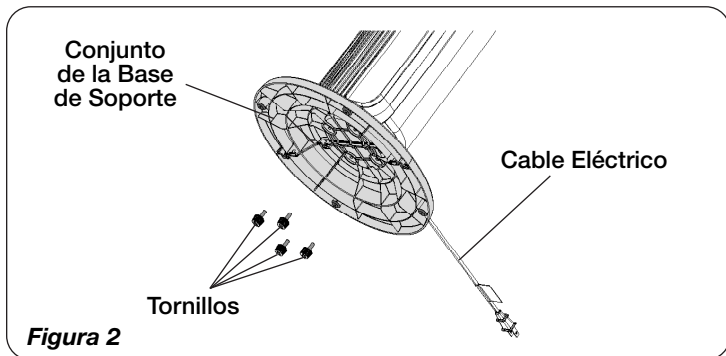


Figura 2

## OPERACIÓN

Puede operar este ventilador con los controles manuales ubicados en la parte superior de la unidad (Figuras 3) o con el control remoto (Figuras 4).

1. Coloque el ventilador sobre una superficie firme y nivelada.
2. Conecte el cable eléctrico a un tomacorriente de 120 volts.

### ⚠ ADVERTENCIA

Asegúrese que el enchufe encaje firmemente en el tomacorriente.



De no encajar firmemente en el tomacorriente, podrían deslizarse parcial o completamente fuera del tomacorriente apenas con un ligero movimiento del cable conectado. Los receptáculos en esta condición pueden sobrecalentarse y constituir un grave riesgo de incendio; si está cubierto por una cortina, el peligro de incendio es aún mayor.

3. Suministre corriente eléctrica al ventilador al presionar el **Botón de Encendido** (⏻). El ventilador operará inicialmente en velocidad alta, velocidad 3.
4. **VELOCIDAD DEL VENTILADOR:** Ahora usted puede ajustar la velocidad del ventilador al nivel deseado, 3, 2, o 1 oprimiendo el **Botón de Velocidad** (⚙).
5. **OSCILACIÓN:** Presione el **Botón de Oscilación** (↻) para iniciar y detener la función de oscilación.
6. **FUNCIÓN DE TEMPORIZADOR:** Este ventilador está equipado con un temporizador. El temporizador se puede configurar para 1-8 horas. Continúe pulsando el **Botón del Temporizador** (⌚) para llegar a la configuración de tiempo deseada. Para cancelar el temporizador, pulse el **Botón de Temporizador** (⌚) hasta que las luces se apaguen.
7. **CARACTERÍSTICA DE NOCHE:** Presione el **Botón de Noche** (🌙) una vez para activar la función. Las luces del ventilador se atenuarán un 50 %. El ventilador funcionará en la configuración alta (3) por una hora, cambiará a la configuración media (2) por una hora y, por último, cambiará a la configuración baja (1) hasta que el usuario interactúe con el ventilador. La función de noche no funciona con ninguna otra función, excepto oscilación. Presione Cualquier otro botón para cancelar la función de noche.
8. Después de apagar el ventilador, desconecte la unidad del tomacorriente eléctrico.



## CONTROL REMOTO

1. Instale las dos baterías "AAA" (no incluidas), como se muestra en la Figura 4.
2. Todas las funciones realizadas con el Control Remoto pueden realizarse de igual forma con los Controles Manuales.
3. No mezcle baterías viejas y nuevas. No mezcle baterías alcalinas, estándar (carbono-cinc) o recargables (níquel-cadmio).
4. **NO ARROJE LAS BATERÍAS AL FUEGO, LAS BATERÍAS PUEDEN ESTALLAR O PUEDE DERRAMARSE EL LÍQUIDO CONTENIDO.**



# MODELO T48335

## MANTENIMIENTO

### ⚠️ ADVERTENCIA

Para reducir el riesgo de choque eléctrico e incendio, por favor obedezca las siguientes instrucciones:



- Siempre desconecte el cable eléctrico antes de trasladar, reparar o limpiar.
- NUNCA coloque el Ventilador dentro o cerca de agua.
- Limpie el Ventilador únicamente con una aspiradora equipada con un accesorio de cepillo; la aspiradora quitará el polvillo y los desperdicios del interior del Ventilador.



- NUNCA intente desarmar el Ventilador.
- Limpie el cuerpo del Ventilador únicamente con un trapo suave.
- NUNCA use ALCOHOL o SOLVENTES tales como gasolina, bencina, disolvente para pinturas u otros limpiadores duros.

## CONSEJOS PARA SOLUCIONAR PROBLEMAS

Si su Ventilador falla al operar, ver abajo una lista de causas y soluciones probables:

1. Esté seguro que el cordón de alimentación está conectado a la red eléctrica
2. Revise si las baterías en el mando a distancia son nuevas y están apropiadamente instalados.

Si usted tiene un problema que no puede ser la resolución por los pasos listó arriba, el contacto Ayuda Técnica en (800) 233-0268, el lunes por el viernes, entre las horas de 8:00 de la mañana y 5:00 de la tarde. EST.

**REPARACIONES:** Para cualquier reparación, que no sea de mantenimiento general por parte del usuario, por favor contacte a nuestro equipo de Servicio al Cliente al (800) 233-0268 de Lunes a Viernes de 8 a.m. a 5 p.m.

**ALMACENAMIENTO:** Almacene el Ventilador con estas instrucciones, en la caja original en un lugar fresco y seco.

**LUBRICACION:** Los rodamientos estan lubricados permanentemente de por vida.

**Disposición:** Los materiales de empaque de cartón corrugado son reciclables. Para desechar este producto de manera ecológicamente responsable, comuníquese con su proveedor de servicio de desechos local o visite [www.1800recycling.com](http://www.1800recycling.com)®.

### GARANTÍA LIMITADA DE LASKO PRODUCTS, LLC (VÁLIDO EN EE.UU., SUS TERRITORIOS, Y CANADÁ ÚNICAMENTE)

**QUÉ CUBRE ESTA GARANTÍA:** Este producto está garantizado contra defectos de mano de obra y/o materiales.

**CUÁNTO DURA ESTA GARANTÍA:** Esta garantía se extiende únicamente al comprador original del producto y dura un (1) año a partir de la fecha original de compra o hasta que el comprador original del producto venda o transfiera el producto, cualesquiera de ambas que ocurriera en primer lugar.

**QUÉ HARÁ LASKO:** Durante el período de garantía, Lasko, a opción propia, reparará o reemplazará cualquier parte o partes que demuestren ser defectuosas o reemplazará el producto completo por el mismo modelo u otro comparable. Para todas las reclamaciones de garantía, se debe devolver el producto a Lasko Products, LLC a cargo del cliente con la prueba de compra dentro del período de garantía. Comuníquese con el departamento de atención al cliente de Lasko para obtener una Autorización de Devolución ("RA", por sus siglas en inglés). NO devuelva los productos sin una RA o no se procesará la reclamación de la garantía.

**QUÉ NO CUBRE ESTA GARANTÍA:** Esta garantía no tiene validez si el producto fue dañado o falló debido a un accidente, manipulación u operación inadecuadas, daño en el envío, abuso, mal uso, reparaciones no autorizadas hechas o el intento de hacerlas. Esta garantía no cubre los costos de envío para la devolución de productos a Lasko para su reparación o reemplazo. Lasko abonará los cargos de envío de devolución a Lasko con posterioridad a las reparaciones o el reemplazo bajo garantía.

**CUALESQUIERA Y TODAS LAS GARANTÍAS, EXPLÍCITAS O IMPLÍCITAS (INCLUYENDO, SIN LIMITACIÓN, CUALESQUIERA GARANTÍA IMPLÍCITA DE COMERCIABILIDAD), DURAN UN AÑO A PARTIR DE LA FECHA ORIGINAL DE COMPRA O HASTA QUE EL COMPRADOR ORIGINAL DEL PRODUCTO VENDA O TRANSFIERA EL PRODUCTO, CUALESQUIERA DE AMBAS QUE OCURRIERA EN PRIMER LUGAR Y EN NINGÚN CASO LA RESPONSABILIDAD DE LASKO BAJO CUALQUIER GARANTÍA EXPLÍCITA O IMPLÍCITA INCLUIRÁ (I) DAÑOS INCIDENTALES O POR CONSECUENCIA POR CUALQUIER CAUSA QUE FUERE, O (II) REEMPLAZO O REPARACIÓN DE CUALESQUIERA FUSIBLES HOGAREÑOS, CORTA-CIRCUITOS O TOMACORRIENTES. INDEPENDIEMENTE DE CUALQUIER DECLARACIÓN CONTRARIA, EN NINGÚN CASO LA RESPONSABILIDAD DE LASKO BAJO CUALQUIER GARANTÍA EXPLÍCITA O IMPLÍCITA PODRÁ EXCEDER EL PRECIO DE COMPRA DEL PRODUCTO Y DICHA RESPONSABILIDAD TERMINARÁ AL VENCIMIENTO DEL PERÍODO DE GARANTÍA.**

Algunos estados y provincias no permiten limitaciones sobre la duración de una garantía implícita, o sobre la exclusión o limitación de los daños incidentales o por consecuencia, por lo tanto dichas exclusiones o limitaciones podrían no aplicarse en su caso. Esta garantía le otorga a usted derechos legales específicos. Usted también podría tener otros derechos que varían de estado en estado y de provincia en provincia.

Se requiere prueba de compra antes que se acepte un reclamo bajo garantía.

### SERVICIO AL CLIENTE:

Línea gratuita (800) 233-0268. Correo electrónico: [producthelp@lasko.com](mailto:producthelp@lasko.com)

Nuestro equipo de Servicio al Cliente está disponible para ayudarle con preguntas sobre productos, ubicaciones de los centros de reparación y repuestos. Se puede comunicar con nuestro equipo de Servicio al Cliente de lunes a viernes, de 8 a.m. a 5 p.m. hora del Este. Por favor tenga disponible el número de modelo.

Customer Service Dept., 820 Lincoln Ave., West Chester, PA 19380

(Por favor no envíe el producto a esta dirección) [www.lasko.com](http://www.lasko.com)

El manual imprimió en la China