

SINCE 1839

BRINLY

SINCE 1839

BRINLY

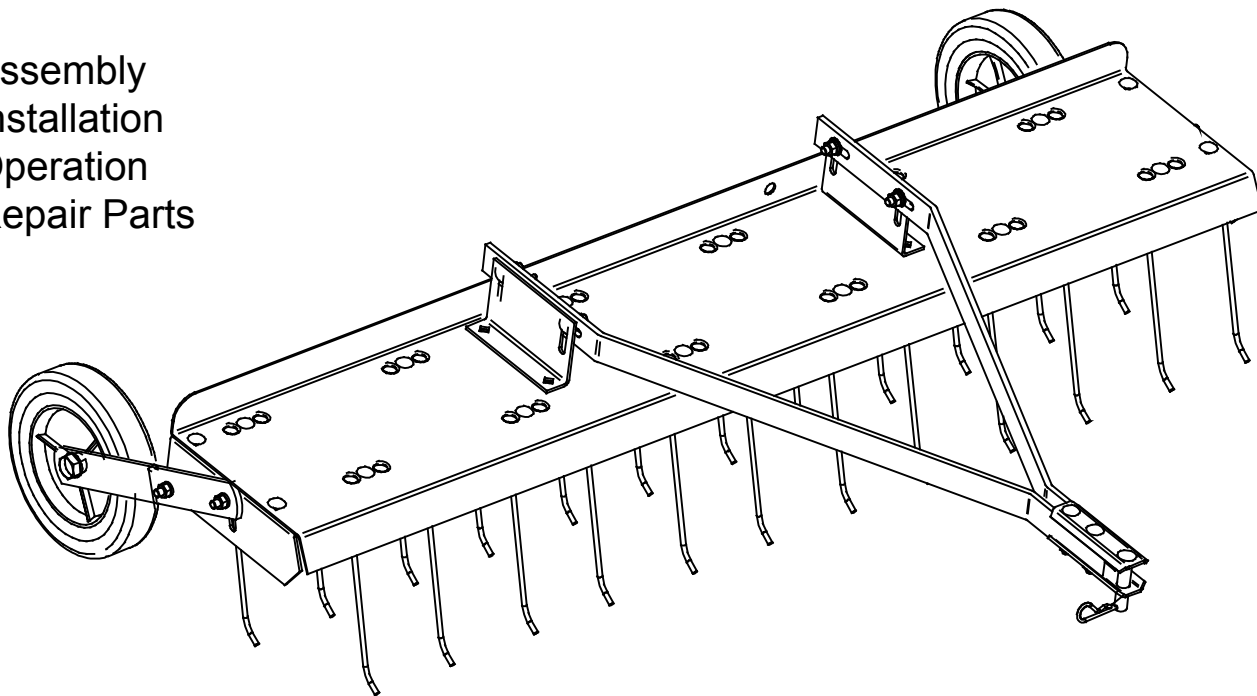
OWNER'S MANUAL

DETHATCHER

MODEL:

DT-48 BH

- Assembly
- Installation
- Operation
- Repair Parts



For the latest product updates and setup tips:

Visit us on the web!
www.brinly.com

Important: This manual contains information for the safety of persons and property. Read it carefully before assembly and operation of the equipment!

L-1763-E

CONGRATULATIONS on the purchase of your Dethatcher! Your Dethatcher has been designed, engineered and manufactured to give you the best possible dependability and performance.

CUSTOMER RESPONSIBILITIES

Please read and retain this manual. The instructions enables you to assemble and maintain your dethatcher properly. And please, always observe the "Safety" instructions.

TABLE OF CONTENTS

SAFETY	2-3
PARTS REFERENCE	4
PARTS LIST.....	4
ASSEMBLY	5-9
OPERATION.....	10
SERVICE.....	10

PRODUCT IDENTIFICATION

PRODUCT COMPATIBILITY

For use with lawn tractors, garden tractors, ztr's, and riding mowers. See the safety section for towing vehicle requirements.

RECORD PURCHASE INFORMATION

Record your purchase information in the spaces provided below.

DATE OF PURCHASE: _____


COMPANY NAME: _____

COMPANY PHONE: _____

SERIAL NUMBER: _____

SAFETY LABELS

UNDERSTANDING THE MACHINE SAFETY LABELS

 This symbol will help to point out important safety precautions throughout this manual. It means - ATTENTION! BECOME ALERT! your safety is involved.

On your machine safety labels, the words DANGER, WARNING, and CAUTION are used with this safety-alert symbol. DANGER identifies the most serious hazards.

The operator's manual also explains any potential safety hazards whenever necessary in special safety messages that are identified with the word, CAUTION, and the safety-alert symbol.

WARNING **RISK OF SEVERE INJURY!**

KEEP CHILDREN OFF!

READ OWNER'S MANUAL BEFORE USING. SAFETY RODS MUST BE IN PLACE WHILE IN OPERATION.

MOUNTING AND ADJUSTMENT

1. Select a smooth flat surface such as a driveway, sidewalk, etc...
2. Attach thatcher to drawbar of tractor.
3. Loosen nuts on gauge wheels and drawbar.
4. Adjust gauge wheels and thatcher drawbar so tine tray is level with ground, and tine tips are 1/2 inch above flat surface.
5. Tighten all nuts securely.

ADVERTENCIA **¡RIESGO DE LESIÓN SEVERA!**

¡MANTENGA ALEJADOS A LOS NIÑOS!

LEA EL MANUAL DEL PROPIETARIO ANTES DE USARLO. LAS VARAS DE SEGURIDAD DEBEN ESTAR EN SU LUGAR MIENTRAS SE OPERA.

MONTAJE Y AJUSTE

1. Seleccione una superficie suave y plana, como una entrada para carros, una acera, etc.
2. Adhiera la barda a la barra de ajuste del tractor.
3. Afloje las tuercas de las ruedas de graduación y de la barra de ajuste.
4. Ajuste las ruedas de graduación y la barra de ajuste para que la bandeja de púa esté nivelada con el suelo y las puntas de púa estén media pulgada por encima de la superficie plana.
5. Apriete muy bien todas las tuercas.

ATTENTION **RISQUE DE BLESSURE GRAVE !**

GARDER À L'ÉCART DES ENFANTS !

LIRE LE GUIDE DE L'UTILISATEUR AVANT DE FAIRE FONCTIONNER. LES BARRES DE SÉCURITÉ DOIVENT ÊTRE EN PLACE DURANT LE FONCTIONNEMENT.

MONTAGE ET RÉGLAGE

1. Choisir une surface lisse et plate telle qu'une allée, un trottoir, etc.
2. Attacher la déchaumeuse à la barre d'attelage du tracteur.
3. Desserrer les écrous sur les roulettes de terrage et la barre d'attelage.
4. Ajuster les roulettes de terrage et la barre d'attelage de la déchaumeuse de telle sorte que le support à dents soit parallèle à la surface plate et que l'extrémité des dents se trouve à 0,5 pouces du sol.
5. Resserer à fond tous les écrous.

U.S. PAT NO.
4,689,941
5,042,243

SAFETY

GENERAL NOTES (OPERATION)

Caution should be taken when towing and/or using any attachment. This attachment combined with the weight distribution, turning radius, and speed of towing vehicle can result in severe injury or death to operator, damage to towing vehicle, and/or attachment if not used properly. Follow all towing safety precautions noted in the towing vehicle owner's manual, including the following precautions:

- Ensure the combined weight of the towing vehicle (tow vehicle weight + operator weight) is greater than the maximum towed weight of attachment (empty attachment weight + weight of load).
- Do not exceed maximum towing capacity of towing vehicle.
- Do not exceed the maximum drawbar pull rating of the towing vehicle. Drawbar pull is the horizontal force required to pull the attachment (including weight of load).
- Only tow this product in the vehicle's tow mode/speed setting or less than 5 mph. Do not exceed 5 mph.
- Towing speed should always be slow enough to maintain control. Travel slowly and use caution when traveling over rough terrain. Avoid holes, rocks and roots.
- Slow down before you turn and do not turn sharply.
- Use wide turning angles to ensure the attachment follows the path of the towing vehicle.
- Do not use attachment on steep slopes. A heavy load could cause loss of control or overturn attachment and towing vehicle. Additional weights may need to be added to your vehicle; check with towing vehicle manufacturer for recommendations.
- Reduce towed weight when operating on slopes.
- Keep all movement on slopes slow and gradual. Do not make sudden changes in speed, directions, or turning.
- If you start and stop suddenly on hills, you may lose steering control or the towing vehicle may tip. Do not start or stop suddenly when going uphill or downhill. Avoid uphill starts.
- Slow down and use extra care on hillsides. Turf conditions can affect vehicle stability. Use extreme caution while operating near drop-offs.
- Do not drive close to creeks, ditches and public highways.
- Watch out for traffic when crossing near roadways.
- Use care when loading or unloading the vehicle into a trailer or truck.
- The attachment can obstruct the view to the rear. Use extra care when operating in reverse.
- When reversing, carefully back-up straight to avoid jackknifing. Do not allow towing vehicle wheels to contact attachment draw bar. Damage could result.
- Stop on level ground, disengage drives, set the parking brake, and shut off engine before leaving the operator's position for any reason including emptying the attachment.
- Use this attachment for intended purpose only.
- This attachment is intended for use in lawn care and home applications. Do not tow behind a vehicle on a highway or in any high speed applications. Do not tow at speeds higher than the maximum recommended towing speed.
- Do not tow this product behind a motor vehicle such as a car or truck.
- Always wear substantial footwear. Do not wear loose fitting clothing that can get caught in moving parts.
- Keep your eyes and mind on your towing vehicle, attachment and area being covered. Do not let other interests distract you.
- Stay alert for holes and other hidden hazards in the terrain
- Keep the towing vehicle and attachment in good operating condition and keep safety devices in place.
- The towing vehicle and attachment should be stopped and inspected for damage after striking a foreign object. Any damage should be repaired before restarting and operating the equipment.
- Keep all parts in good condition and properly installed. Fix damaged parts immediately. Replace worn or broken parts. Replace all worn or damaged safety and instruction decals. Keep all nuts, bolts and screws tight.
- Do not modify the attachment or safety devices. Unauthorized modifications to the towing vehicle or attachment may impair its function, safety and void the warranty.

TOWING VEHICLE AND TOWING SAFELY

- Know your towing vehicle controls and how to stop safely. READ YOUR TOWING VEHICLE OWNER'S MANUAL before operating.
- Check the towing vehicle brake action before you operate. Adjust or service brakes as necessary.
- Stopping distance increases with speed and weight of towed load. Travel slowly and allow extra time and distance to stop.
- Use only approved hitches. Tow this attachment only with a towing vehicle that has a hitch designed for towing. Do not connect this attachment except at the approved hitch point.
- Follow the tow vehicle manufacture's recommendations for weight limits for towed equipment and towing on slopes. Use counterweights or wheel weights as described in the towing vehicle operator's manual.
- Do not shift to neutral and coast downhill.
- Do not allow children to operate the towing vehicle. Do not allow adults to operate the towing vehicle without proper instruction or without having read the owner's manual.

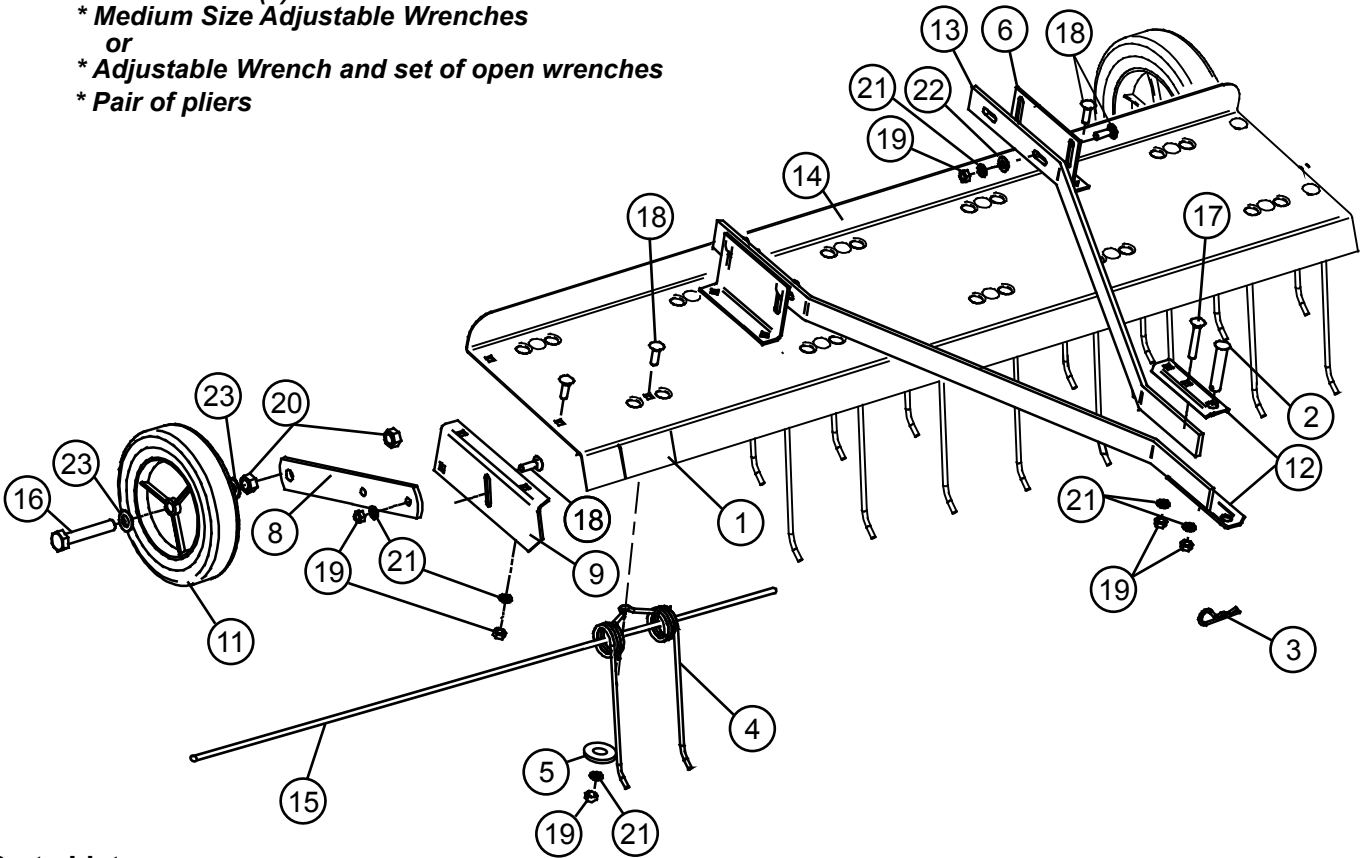
PROTECT THOSE AROUND YOU

- Before you operate any feature of this attachment or towing vehicle, observe your surroundings and look for bystanders.
- Keep children, bystanders and pets at a safe distance away while operating this or any attachment.
- Use care when reversing. Before you back up, look carefully behind for bystanders.

Exploded View

Tools Required for Assembly

- * 1/2" wrench (2)
- * Medium Size Adjustable Wrenches
or
- * Adjustable Wrench and set of open wrenches
- * Pair of pliers



Parts List

REF. NO.	PART NO.	DESCRIPTION	QTY.
	DT-48	Logo Decal	1
1	B-5925	Logo Decal	1
2	B-3861	Drawbar Pin	1
3	D-146P	Hairpin Cotter, 1/8"	1
4	R-616	Tine	12
5	R-618	Special Washer	12
6	R-713-10	Tray Mount Bracket	2
7	R-1541	Warning Decal	1
8	R-2479-10	Wheel Mount Bracket	2
9	R-889-10	End Plate (R.H.)	1
10	R-890-10	End Plate (L.H.)	1
11	R-891	Wheel	2
12	R-892-10	Clevis	2
13	R-1455-10	Pull Bar	2
14	R-1456-10	Tine Tray	1
15	R-1504	Safety Wire	2
16	1M1648P	Hex Head Bolt, 1/2" x 3"	2
17	10M1032P	Carriage Bolt, 5/16" x 2"	2
18	11M1016P	Carriage Bolt, 5/16" x 1"	28
19	30M1000P	Hex Nut, 5/16"	30
20	30M1600P	Hex Nut, 1/2"	4
21	40M1000P	Lock Washer, 5/16"	30
22	45M1111P	Flat Washer, 5/16"	4
23	45M1717P	Flat Washer, 1/2"	4



To Order Parts Call:
877-728-8224

Visit us on the web:
www.brinly.com

Figure 1.

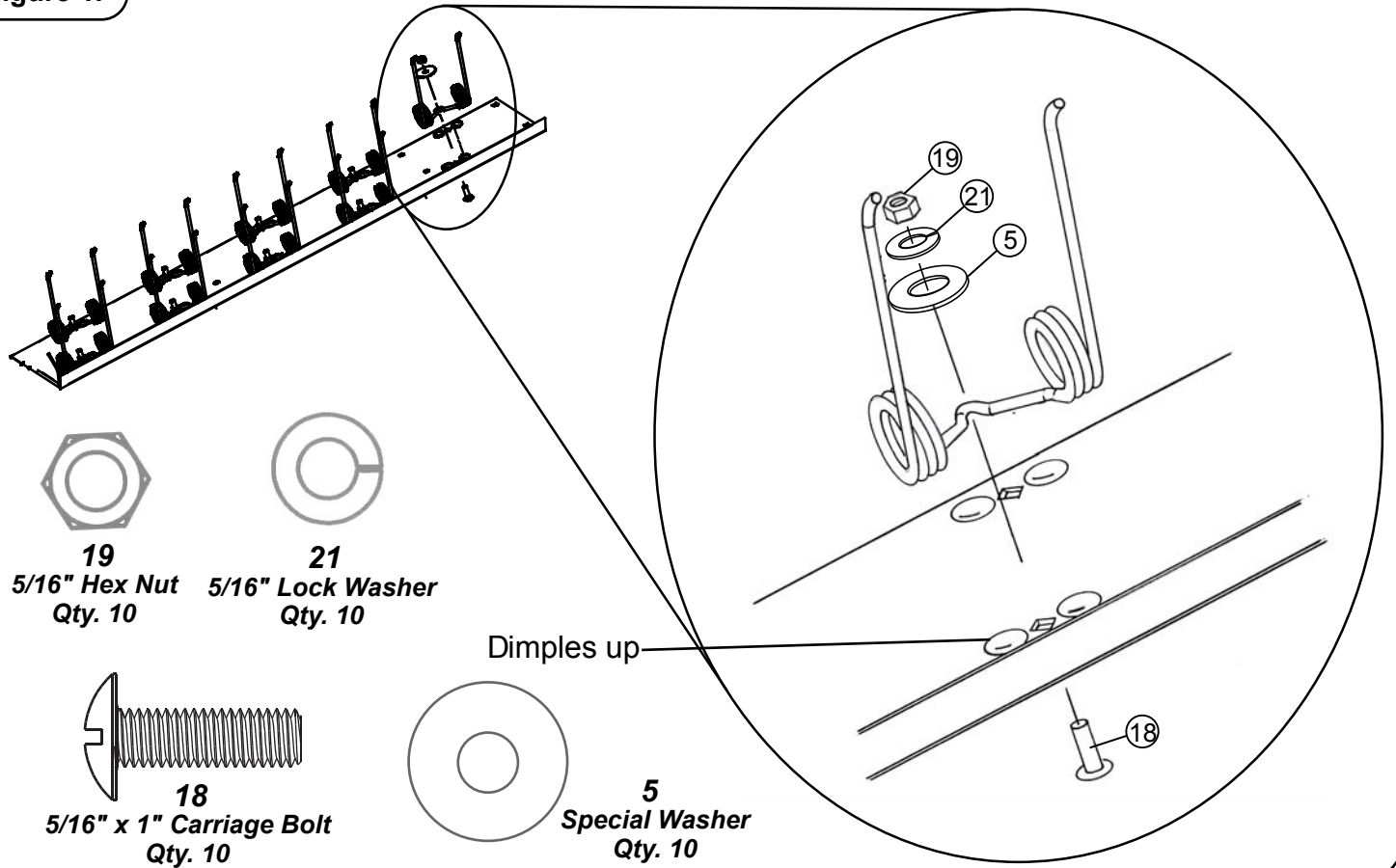


Figure 2.

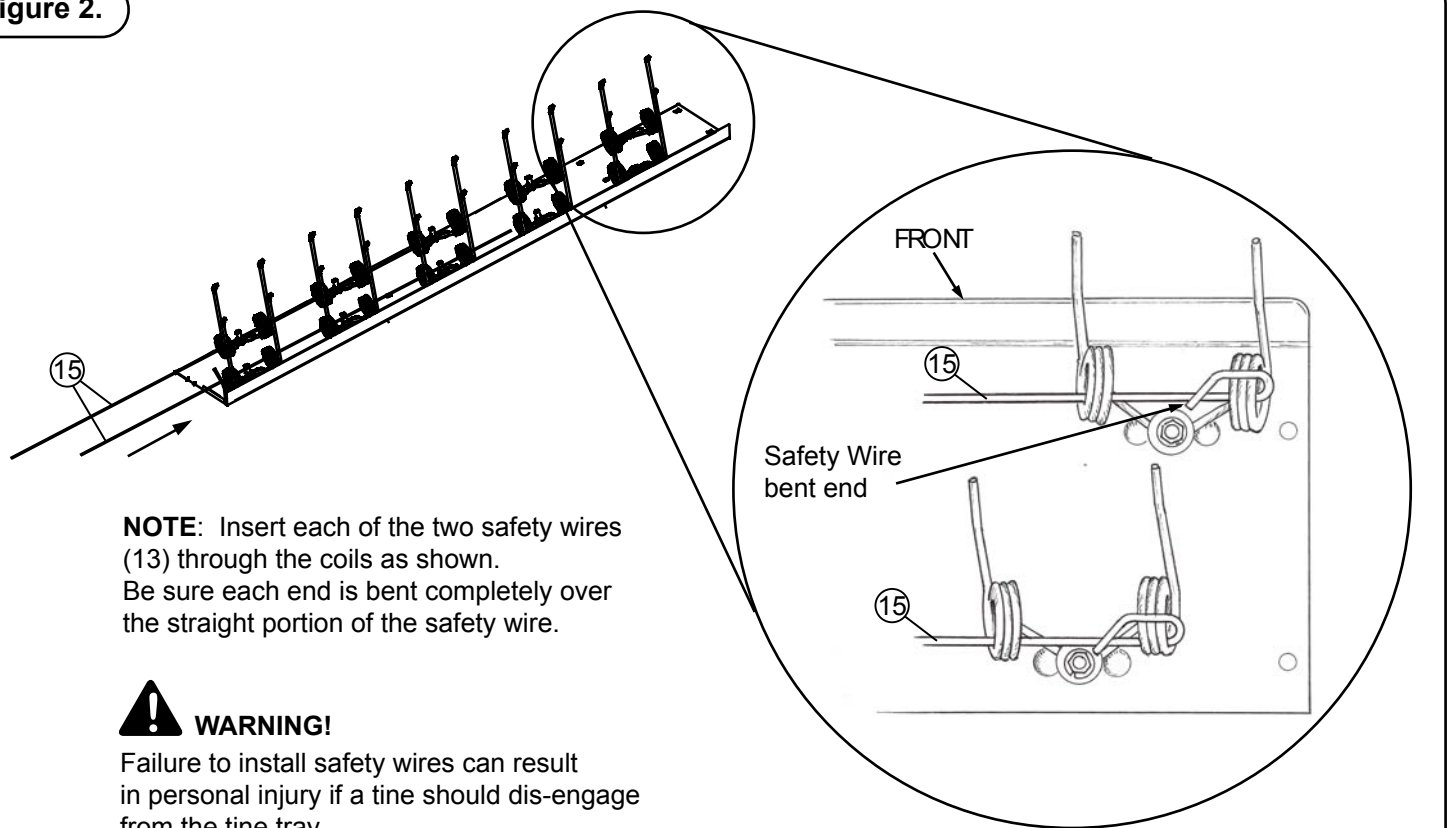
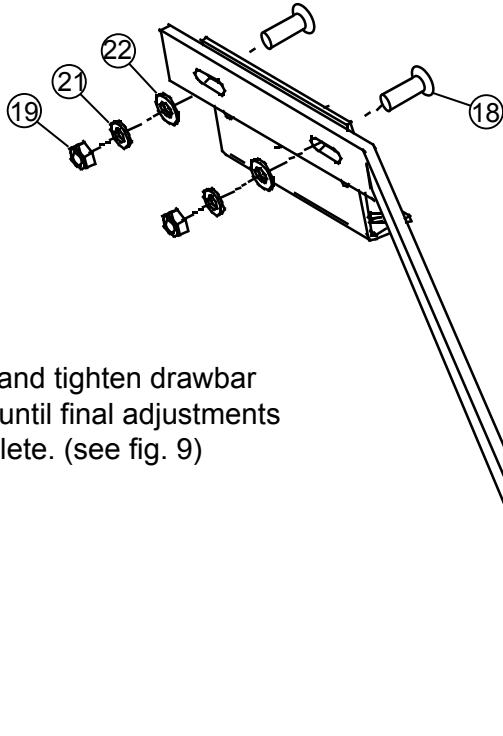
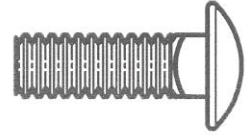


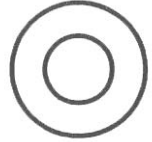
Figure 3.



18
5/16" x 1" Carriage Bolt
Qty. 4



22
5/16" Flat Washer
Qty. 4



21
5/16" Lock Washer
Qty. 4



19
5/16" Hex Nut
Qty. 4



NOTE: Hand tighten drawbar fasteners until final adjustments are complete. (see fig. 9)

Figure 4.

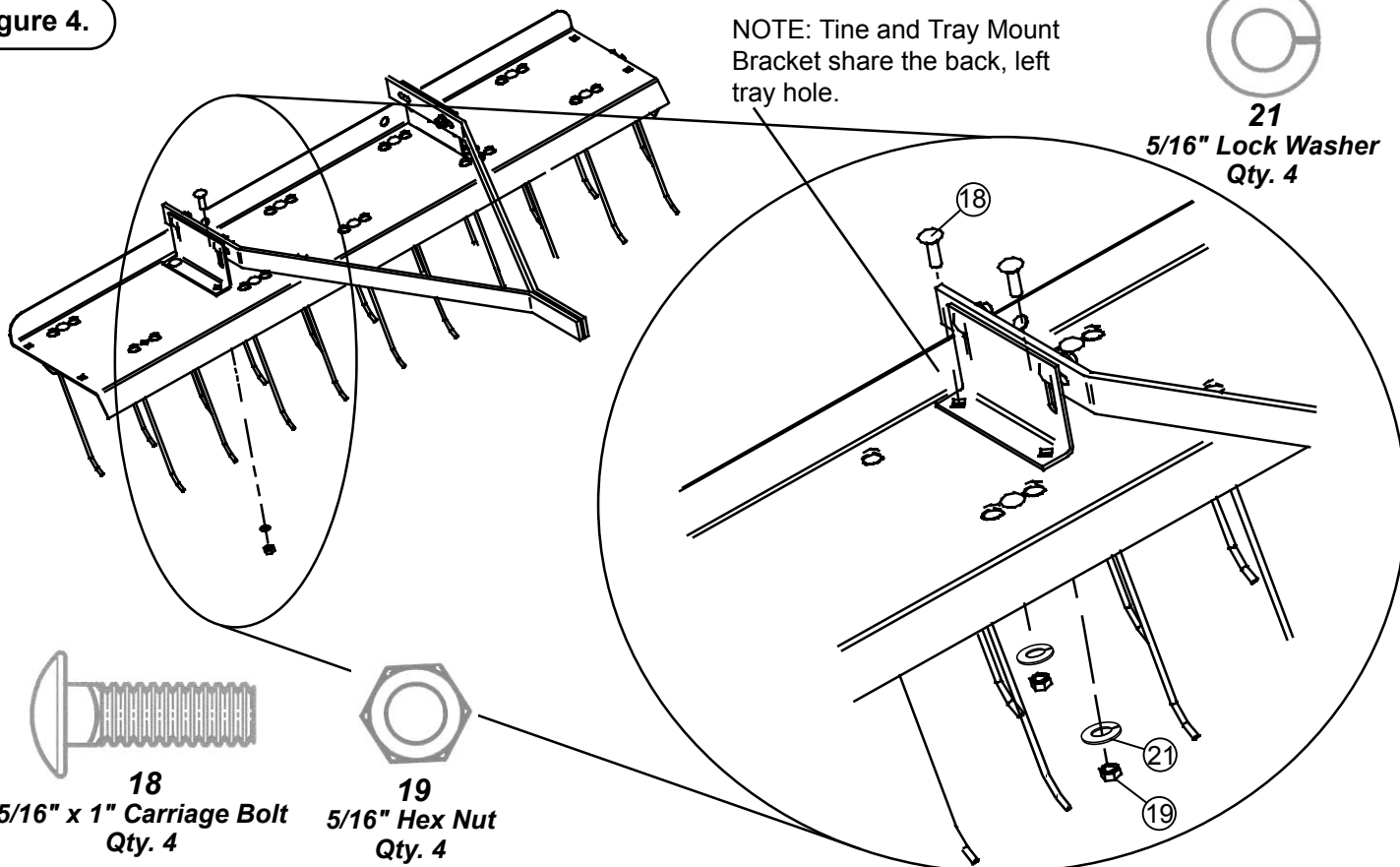


Figure 5.

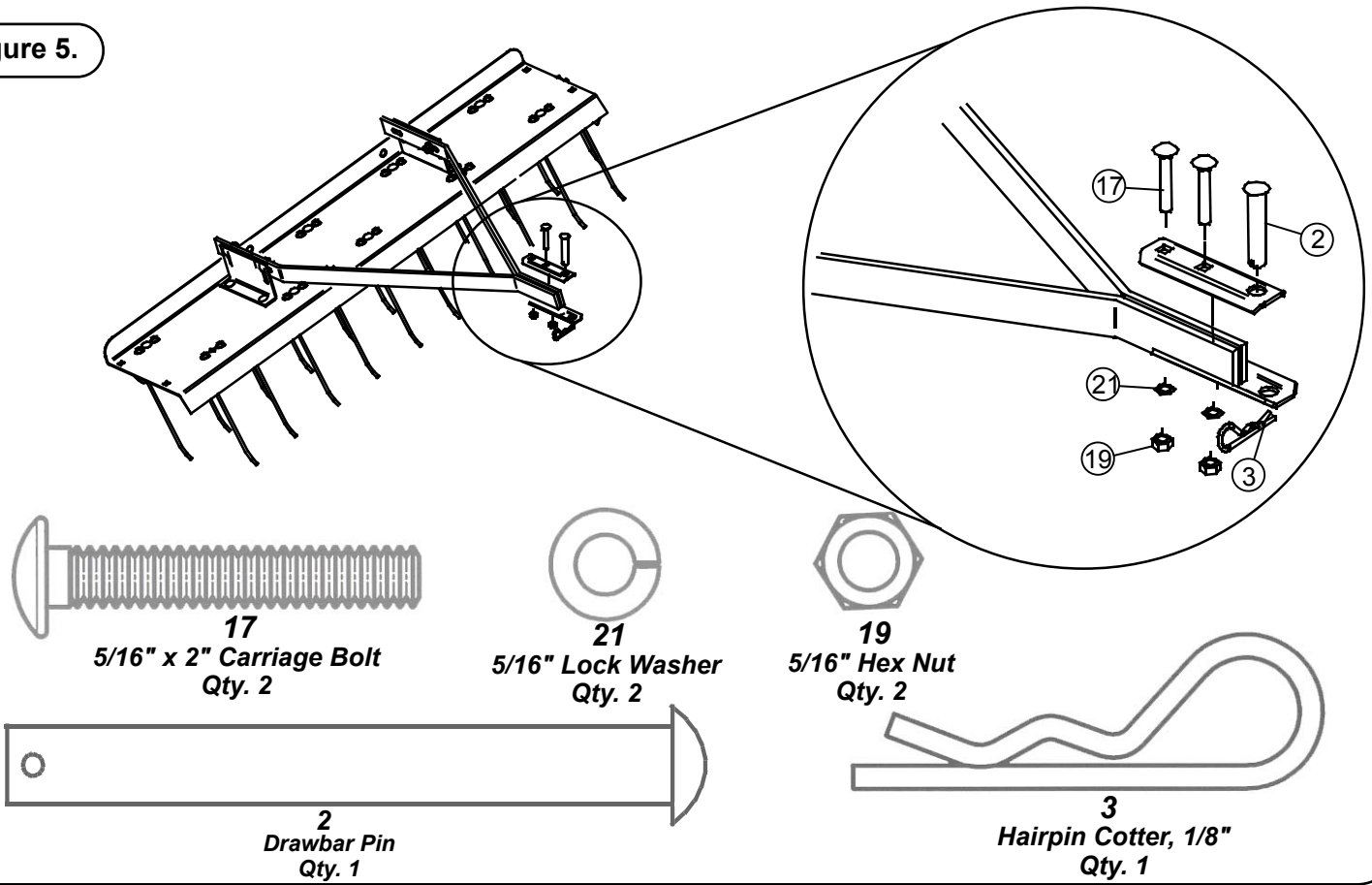


Figure 6.

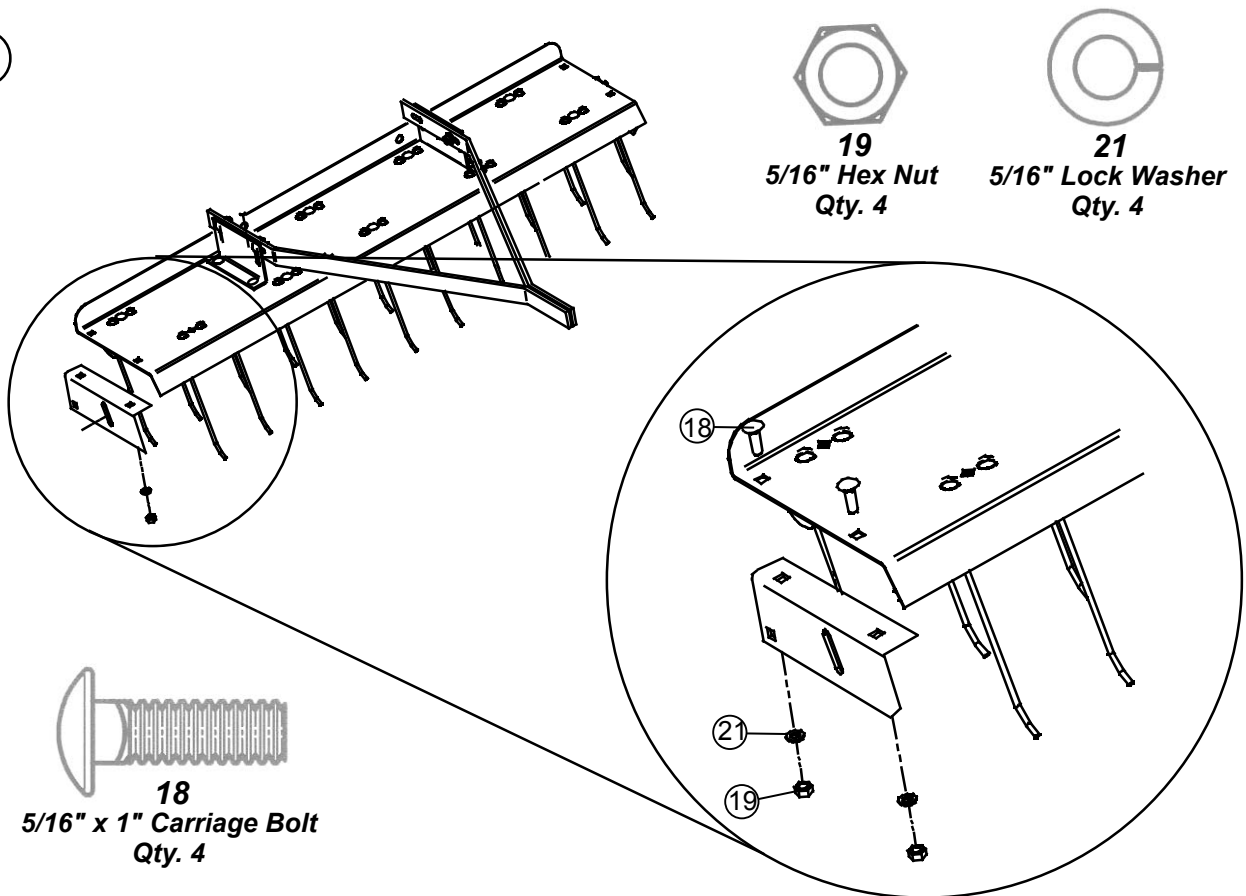


Figure 7.

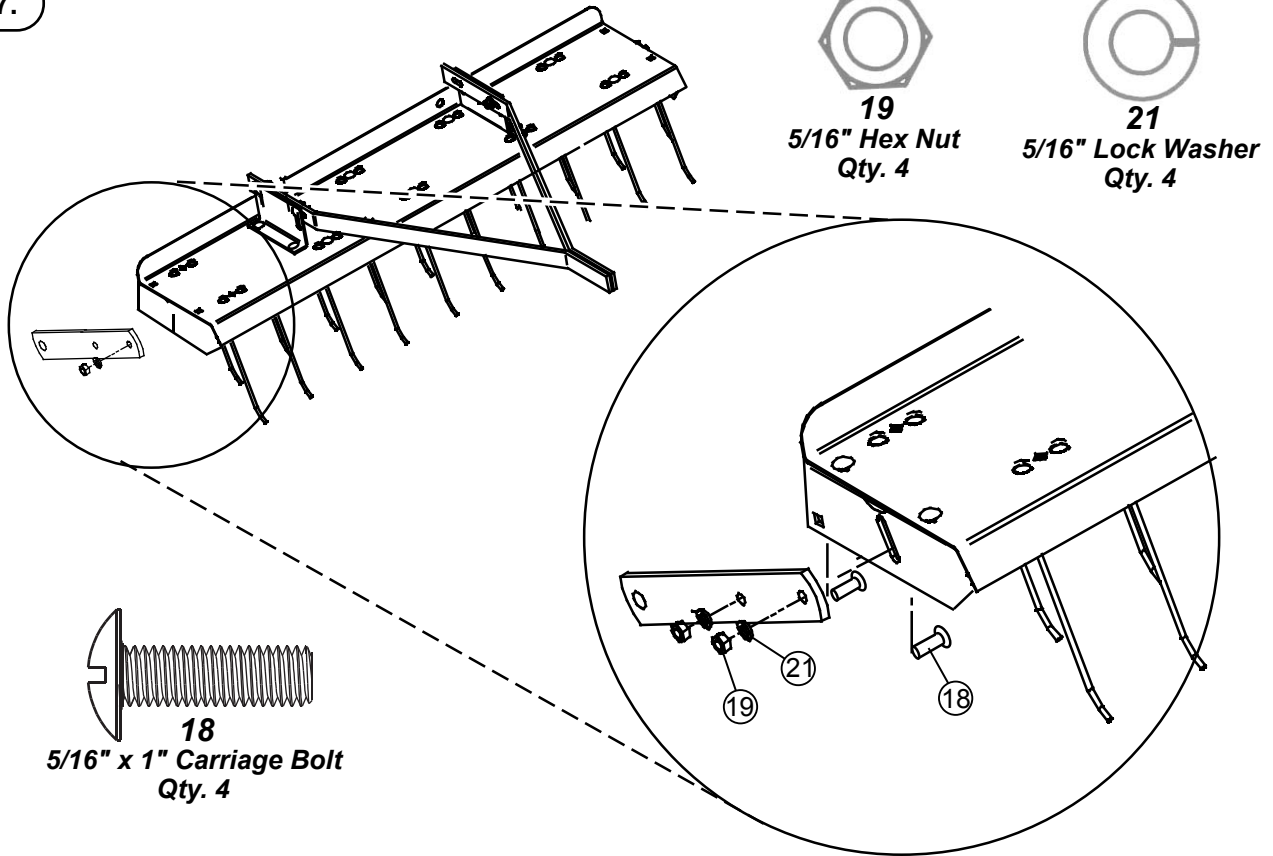


Figure 8.

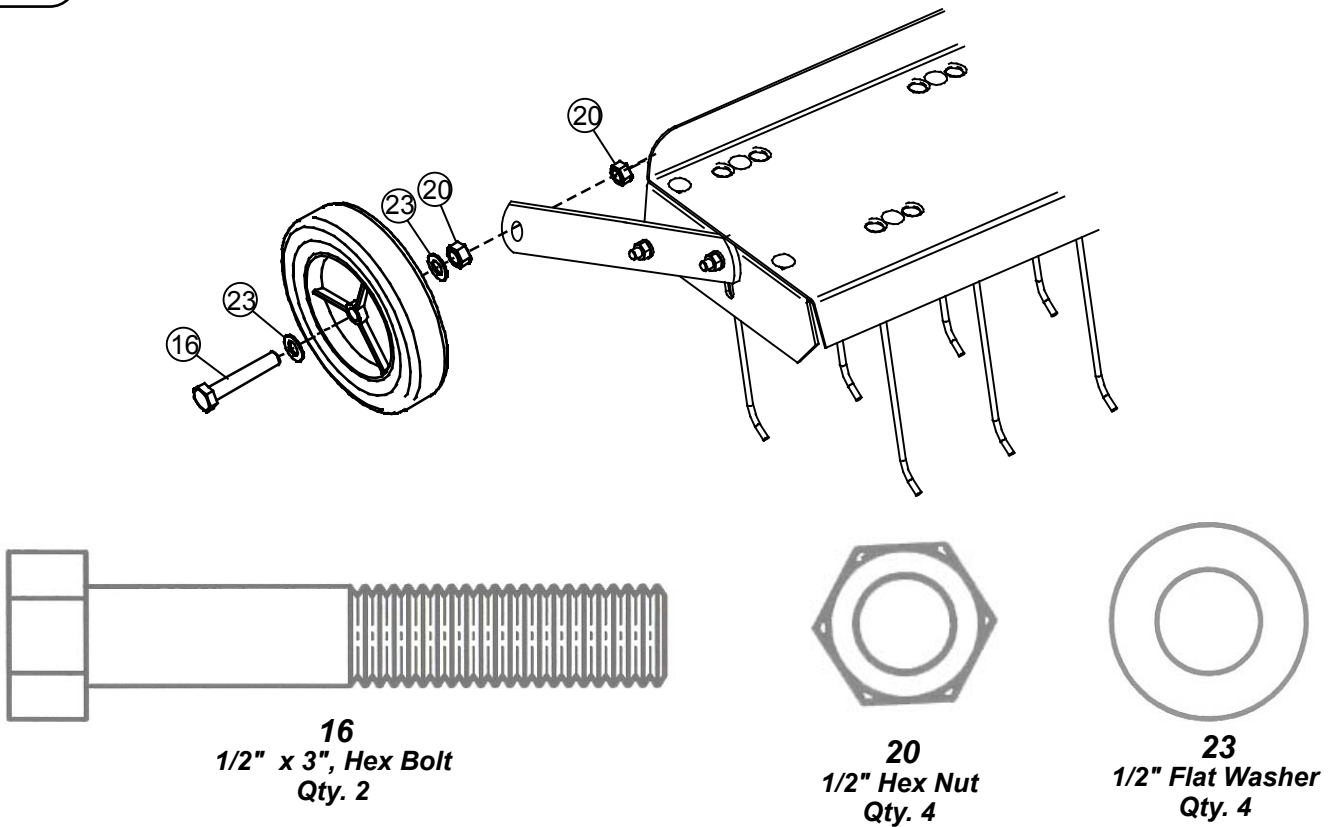


Figure 9.

MOUNTING AND ADJUSTMENT

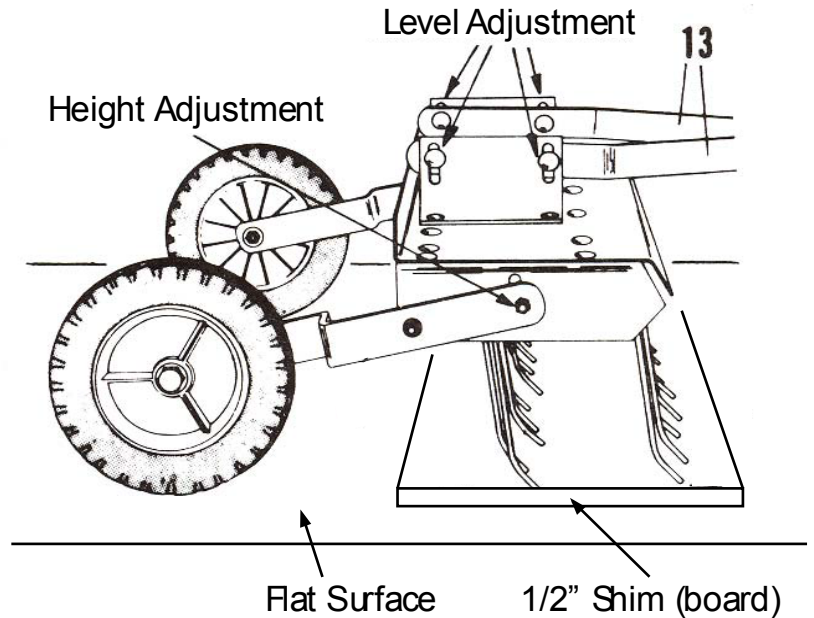
Select a smooth flat surface such as a driveway, sidewalk, garage floor etc.

Attach the Dethatcher to the towing vehicle using Drawbar Pin (2) and Hairpin Cotter (3)

Place tines on 1/2" shim to support the front and back row of tines.

Wheels must be on the flat surface as shown

Tighten all bolts from Fig. 2 and Fig. 6 to hold this position



OPERATION

Tine ACTION- Grass should be less than 3" tall for proper tine action.

When in use, all tines on the De-thatcher should deflect back and "flip" the thatch forward as shown in Fig. 6.

If the tines seem to drag without flipping forward, the tine tray is too low and should be raised.

If all the tines stay in the free position, the tray should be lowered.

Make adjustments as necessary, up or down, by no more than 1/4" each time, until proper results are achieved.



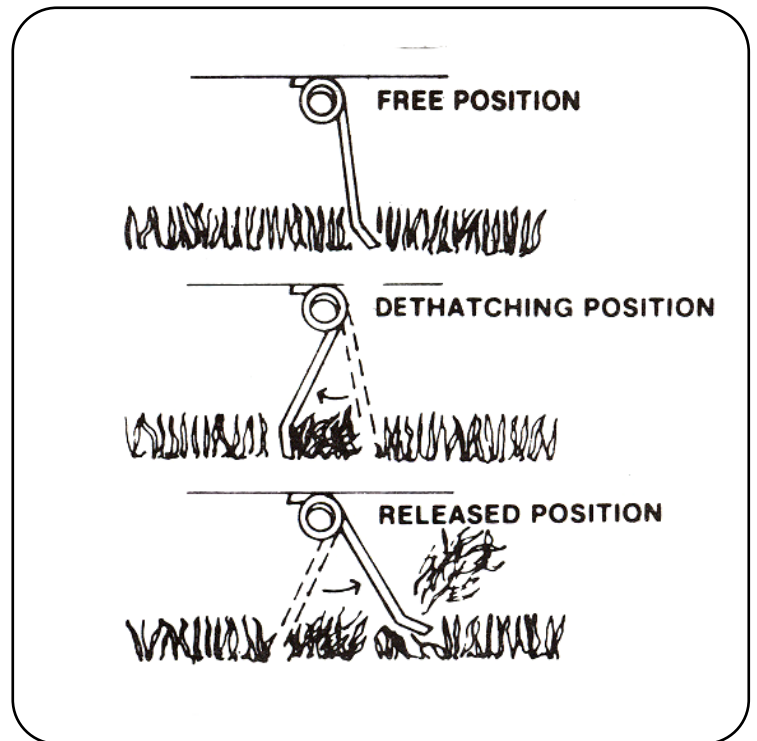
MAINTENANCE

The key to years of trouble-free service is to keep your Sweeper clean and dry.

Occasionally check all moving parts for free movement and, if necessary, lubricate with oil.

Should rust develop, sand lightly and then paint area with enamel.

Periodically check all fasteners for tightness.



OPERATION

INSTALLING DETHATCHER



CAUTION: Avoid injury! Make sure feet and hands are clear of Tine Tips.

1. Lock towing vehicle in park. (See Towing Vehicle Manual)
2. Align clevis with towing vehicle drawbar.
3. Install clevis pin through clevis and vehicle drawbar and secure with a locking pin

REMOVING DETHATCHER

1. Secure towing vehicle parking brake.
2. Remove cotter pin and drawbar pin.



CAUTION: Avoid injury! Keep feet away from under drawbar.

3. Push Dethatcher away from towing vehicle.
4. Install drawbar pin and cotter pin roller towbar for storage.

OPERATING



CAUTION: Avoid injury! Excessive towed load can cause loss of control on slopes. Stopping distance increases with speed and weight of towed load.

Total towed weight must not exceed combined weight of towing vehicle, ballast and operator.

For best results, grass should be less than 3" tall. Shorter grass will improve tine action.

Tine Recommended Height:

When in use the tine will engage the thatch and deflect to the rear as the Dethatcher is pulled forward. The spring will overcome the tension of the embedded thatch, and pull the thatch upward. If the tines are too low, the tine will not "flip" forward as desired.

Figure 1 shows the proper sequence of tine action.

Make adjustments as necessary up or down, by no more than 1/4" each time to achieve the desired result.

Speed:

The best operating speed is 3mph or less.

Frequency:

Dethatching is not accomplished in a single pass. It will normally take several passes over the lawn. Alternating the direction by 90 degrees will improve the dethatching effect.

SERVICE

MAINTENANCE AND SERVICE NOTES

1. After the first 30 minutes of use check all fasteners for tightness.
2. Dethatching Tines are manufactured with special steels and are heat treated to resist wear of abrasive soil. Striking objects can cause tine breakage. Contact our Customer Service Department to purchase replacement Tines (Part# R-616)

SPECIFICATIONS

Maximum Towing Speed.....5 mph
Empty Weight.....37 Pounds
Maximum Towed Weight.....37 Pounds

GETTING QUALITY SERVICE

Quality Continues with Quality Service

We provide a process to handle your questions or problems.

Follow the steps below to get answers to any questions you may have about your product.

1. Refer to your attachment and machine operator manuals
2. In North America or Canada, call 1-877-728-8224 and provide product serial number and model number.

MANUFACTURER'S LIMITED WARRANTY FOR



Pull Behind Accessories

The limited warranty set forth below is given by Brinly-Hardy Company with respect to new merchandise purchased and used in the United States, its possessions and territories.

Brinly-Hardy Company warrants the products listed below against defects in material and workmanship, and will at its option, repair or replace, free of charge, any part found to be defective in materials or workmanship. This limited warranty shall only apply if this product has been assembled, operated, and maintained in accordance with the Operator's manual furnished with the product, and has not been subject to misuse, abuse, commercial use, neglect, accident, improper maintenance, alteration, vandalism, theft, fire, water, or damage because of other peril or natural disaster.

Normal Wear Parts or components thereof are subject to separate terms as follows: All normal wear parts or component failures will be covered on the product for a period of 90 days.

Parts found to be defective within the warranty period will be replaced at our expense. Our obligation under this warranty is expressly limited to the replacement or repair, at our option, of parts found to be defective in material and workmanship.

HOW TO OBTAIN SERVICE: Warranty parts replacements are available, ONLY WITH PROOF OF PURCHASE, through our Pull Behind Accessories Customer Service Department. Call 877-728-8224.

This limited warranty does not provide coverage in the following cases:

- a) Routine maintenance items such as lubricants and filters.
- b) Normal deterioration of the exterior finish due to use or exposure.
- c) Transportation and/or labor charges.
- d) The warranty does not include commercial and/or rental use.

No implied warranty, including any implied warranty of merchantability of fitness for a particular purpose, applies after the applicable period of express written warranty above as to the part as identified below. No other express warranty whether written or oral, except as mentioned above, given by any person or entity, including a dealer or retailer, with respect to any product, shall bind Brinly-Hardy Co. During the period of the warranty, the exclusive remedy is repair or replacement of the product as set forth above.

The provisions as set forth in this warranty provide the sole and exclusive remedy arising from the sale. Brinly-Hardy Co. shall not be liable for incidental or consequential loss or damage including, without limitation, expenses incurred for substitute or replacement lawn care services or for rental expenses to temporarily replace a warranted product.

Some states do not allow the exclusion or limitation of incidental or consequential damages, or limitations on how long an implied warranty lasts, so the above exclusions or limitations may not apply to you.

During the warranty period, the exclusive remedy is replacement of the part. In no event shall recovery of any kind be greater than the amount of the purchase price of the product sold. Alteration of safety features of the product shall void this warranty. You assume the risk and liability for loss, damage, or injury to you and your property and/or to others and their property arising out of the misuse or inability to use this product.

This limited warranty shall not extend to anyone other than the original purchaser or to the person for whom it was purchased as a gift.

HOW STATE LAW RELATES TO THIS WARRANTY: This limited warranty gives you specific legal rights, and you may also have other rights which vary from state to state.

IMPORTANT: The Warranty period stated below begins with the PROOF OF PURCHASE. Without the proof of purchase, the Warranty period begins from the date of manufacture determined by the serial number manufacturing date.

DETHATCHER WARRANTY PERIOD:

The warranty period for this dethatcher is as follows: Steel frame parts – 2 Years. Tires, wheels and tines are normal wear parts - 90 days.