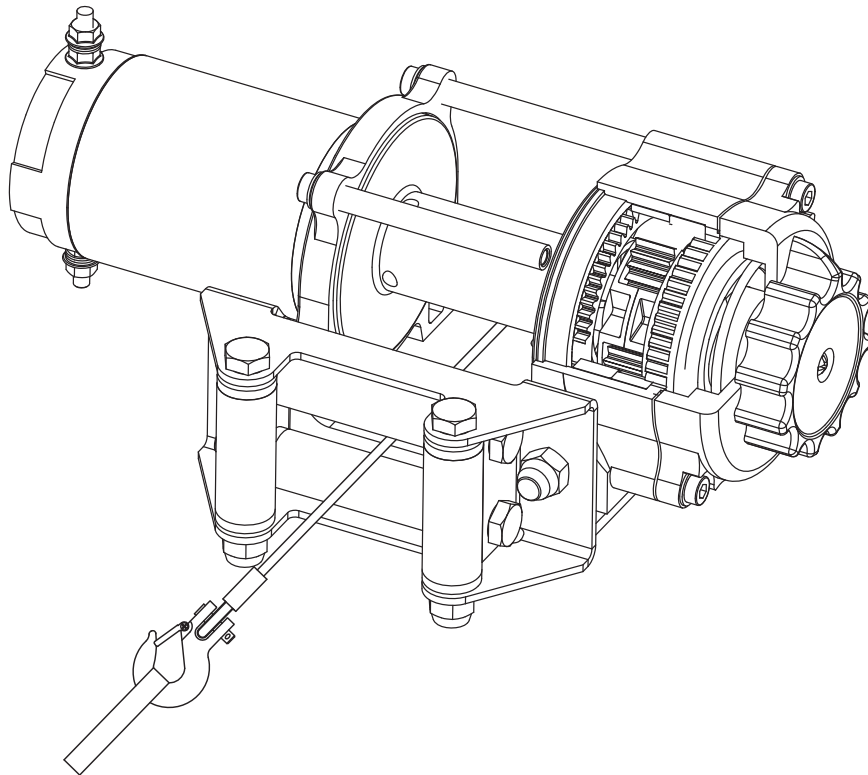




Champion Power Equipment, Inc.

MODEL #13004



PARTS INFORMATION

3,000 LB. WINCH KIT

SERIAL NUMBER RANGE: ALL



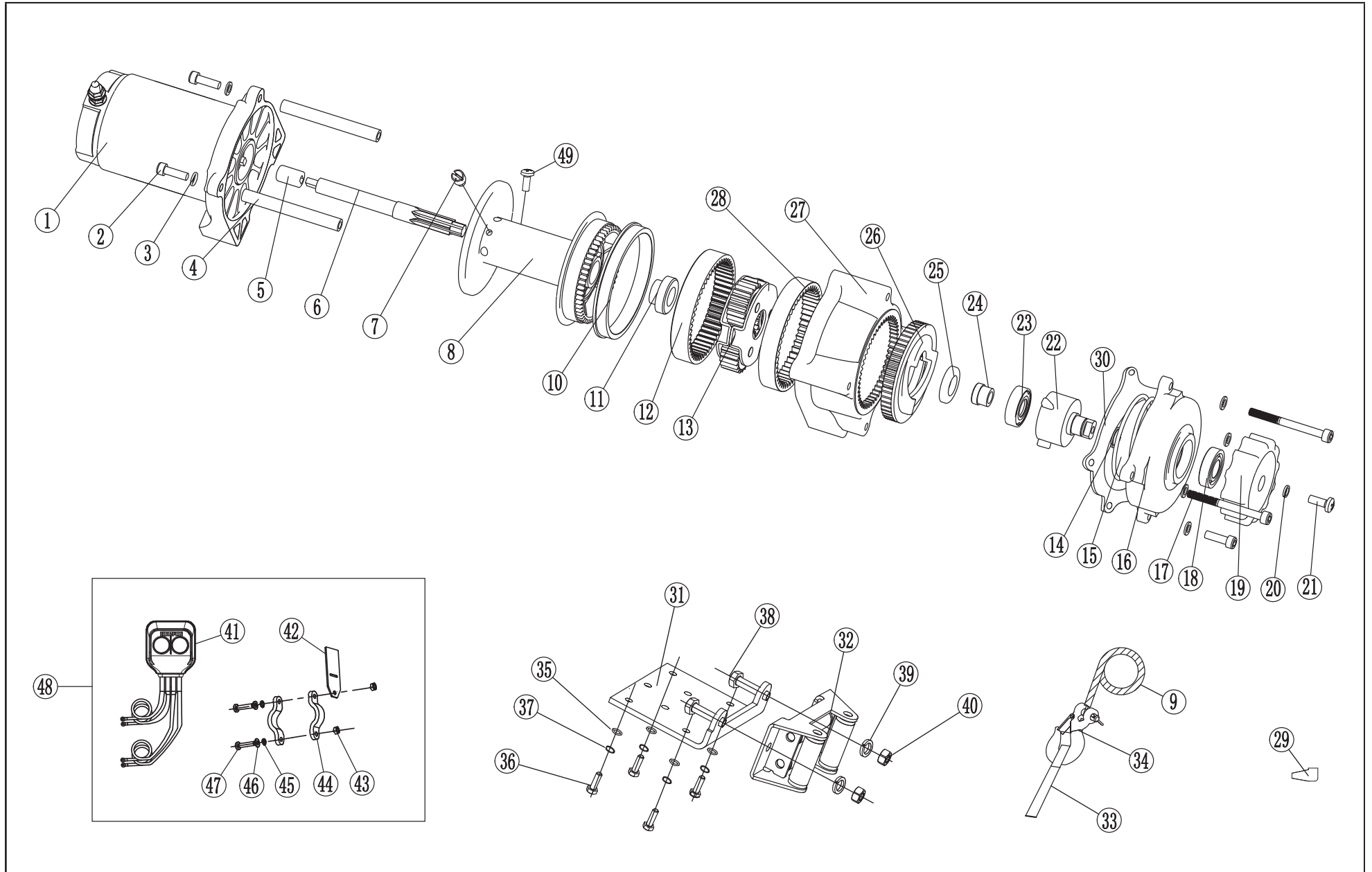
To order replacement parts please visit:
shop.championpowerequipment.com
or call **1-877-338-0999**.

TABLE OF CONTENTS

Winch Parts Diagram **3**

Winch Parts List **4**

WINCH PARTS DIAGRAM



WINCH PARTS LIST

#	Part Number	Description	Qty.
1	300100S-BF	Motor Assembly - Short, Black Flat	1
2	250001	Hexagon Socket Head Screw M6 x 20	4
3	250002	Flat Washer Ø6	6
4	250003	Tie Bar	2
5	250004	Bushing Shaft	1
6	340001	Coupling Shaft	1
7	250006	Screw M5x6	1
8	250007	Drum	1
9	250200	Cable Assembly - 4.8mm(D) x14m(L)	1
10	250008	Rear Bush Drum	1
11	250009	Front Thrust Washer	1
12	340002	Gear Ring Output	1
13	340003	Gear Carrier Assembly	1
14	250011	Retaining Ring Clip	1
15	250012	Spring	1
16	250013-BF	Cover Clutch Housing - Black Flat	1
17	250014	Hexagon Socket Head Screw M6 x 70	2
18	GB2760BB16002-SS	Radial Ball Bearing 16002 Sealed	1
19	250016-BF	Clutch Cap - Black Flat	1
20	250017	Washer 6, Locking	1
21	250018	Cross Recessed Pan Head Screw M6 x 16	1
22	250019	Axis Support Bushing	1
23	GB2760BB06002-SS	Radial Ball Bearing 6002 Sealed	1
24	250021	Clutch Bushing	1
25	250022	Above Clutch Axes Washer	1
26	250023	Cam Clutch Gear	1
27	250024-BF	Gear Housing/End Bearing - Black Flat	1
28	340004	Gear Ring	1
29	400017	Terminal Protector	2
30	250072	Gasket	1

#	Part Number	Description	Qty.
31	250059-BF	Mounting Channel - Black Flat	1
32	250029-BF	Roller Fairlead - Black Flat	1
33	410022	Yellow Strap	1
34	C20002	1/4 in. Clevis Hook	1
35	300019	Washer 8, Flat	4
36	450021	Hexagon Head Bolt M8 x 25	4
37	300020	Washer 8, Locking	4
38	400009	Hexagon Head Bolt M10x20	2
39	250035	Lock Washer Ø10	2
40	250036	Lock Nut M10	2
41	300600A	Control Switch - Black	1
42	300037-BF	Control Switch Mounting Plate - Black Flat	1
43	400025	Nut M5	2
44	400026-BF	Handlebar Switch Clamp - Black Flat	2
45	400024	Lock Washer Ø5	2
46	400023	Flat Washer Ø5	2
47	400022	Hexagon Socket Head Screw M5 x 25	2
48	301600	Switch Assembly	1
49	250083	Cross Recess Pan Head Screw M5 x 8	1