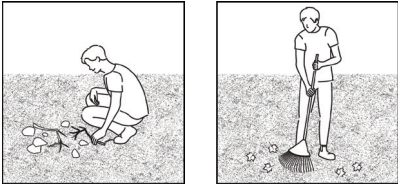


SITE PREPARATION & FOUNDATION

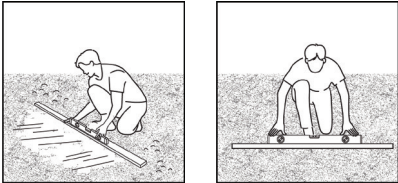
A - PREPARE THE SITE

The product must be positioned and fixed on a flat level surface.

1 - Clear the site



2 - Level the ground

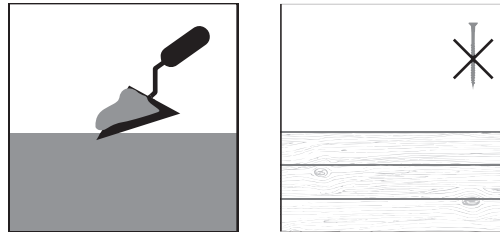


IMPORTANT

We recommend checking for restrictions or covenants for building this product in your area. In addition we advise to check if you need to submit any forms or if any permit is required prior to building the product.

B - CHOOSE YOUR FOUNDATION TYPE

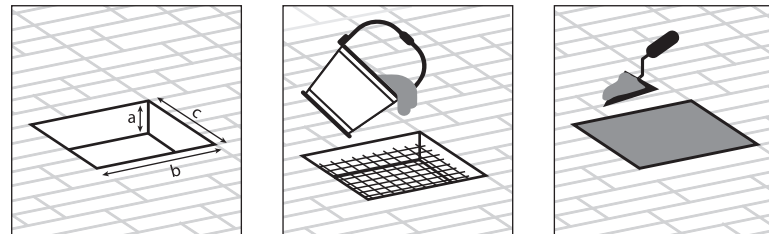
Option 1: Concrete / Wooden surface



The screws and masonry anchors supplied with the kit are suitable for concrete fixing only.

Please consult with an expert regarding which fasteners are suitable for other surfaces types (not supplied).

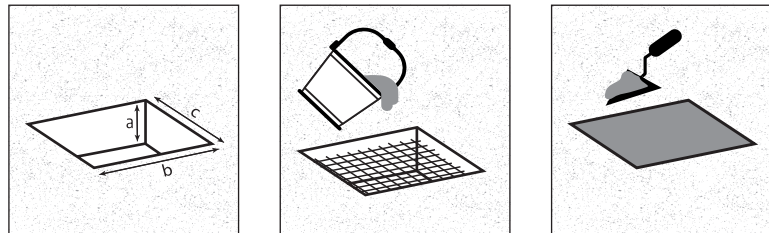
Option 2: Paving stones



a - 10 cm / 4" | b + c - 40 cm / 14"

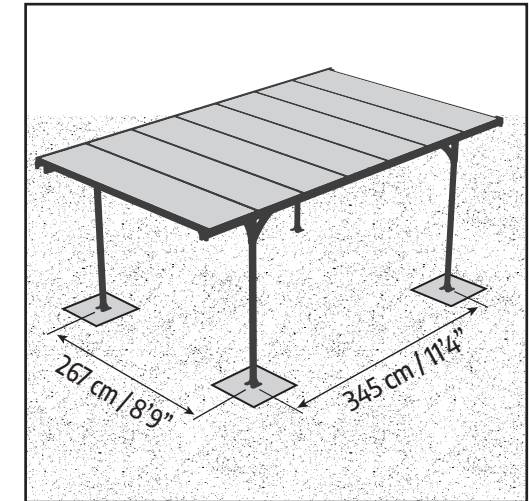
Dig holes into the ground and fill with concrete. For frozen areas, please check the required depth needed for these holes.

Option 3: Solid ground / Asphalt



a - 40 cm / 14" | b + c - 40 cm / 14"

C - DIMENSIONS



The illustration describes center-to-center distance between poles.

