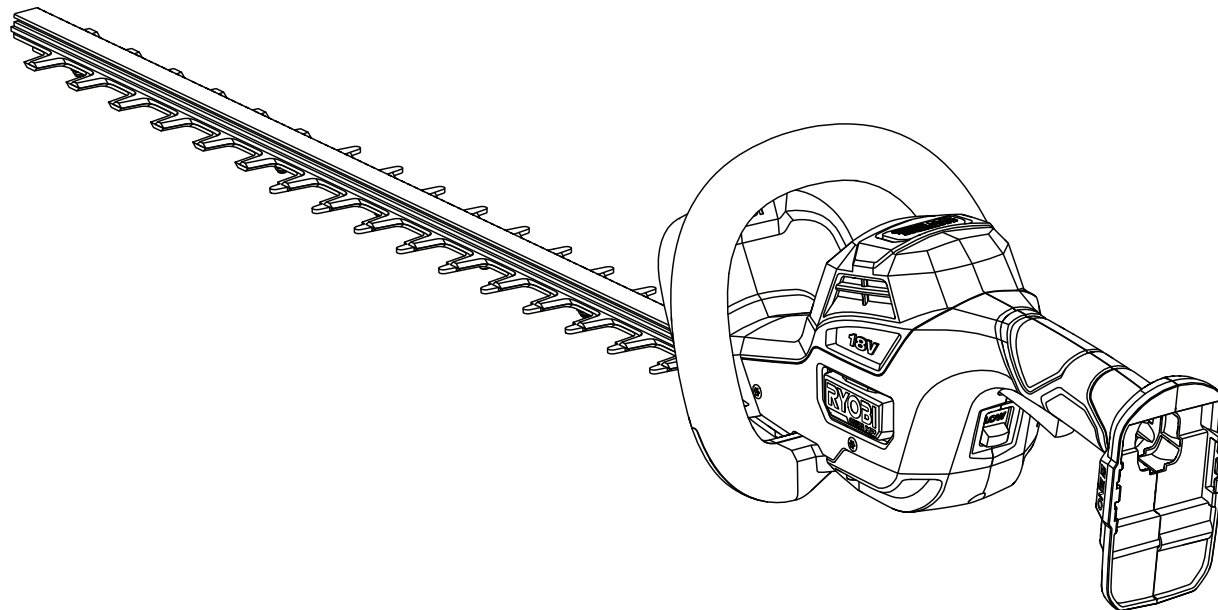


REPAIR SHEET

BRAND RYOBI		DESCRIPTION 18 Volt Hedge Trimmer
MODEL NO. P26011VNM	MFG. NO. 108796001	

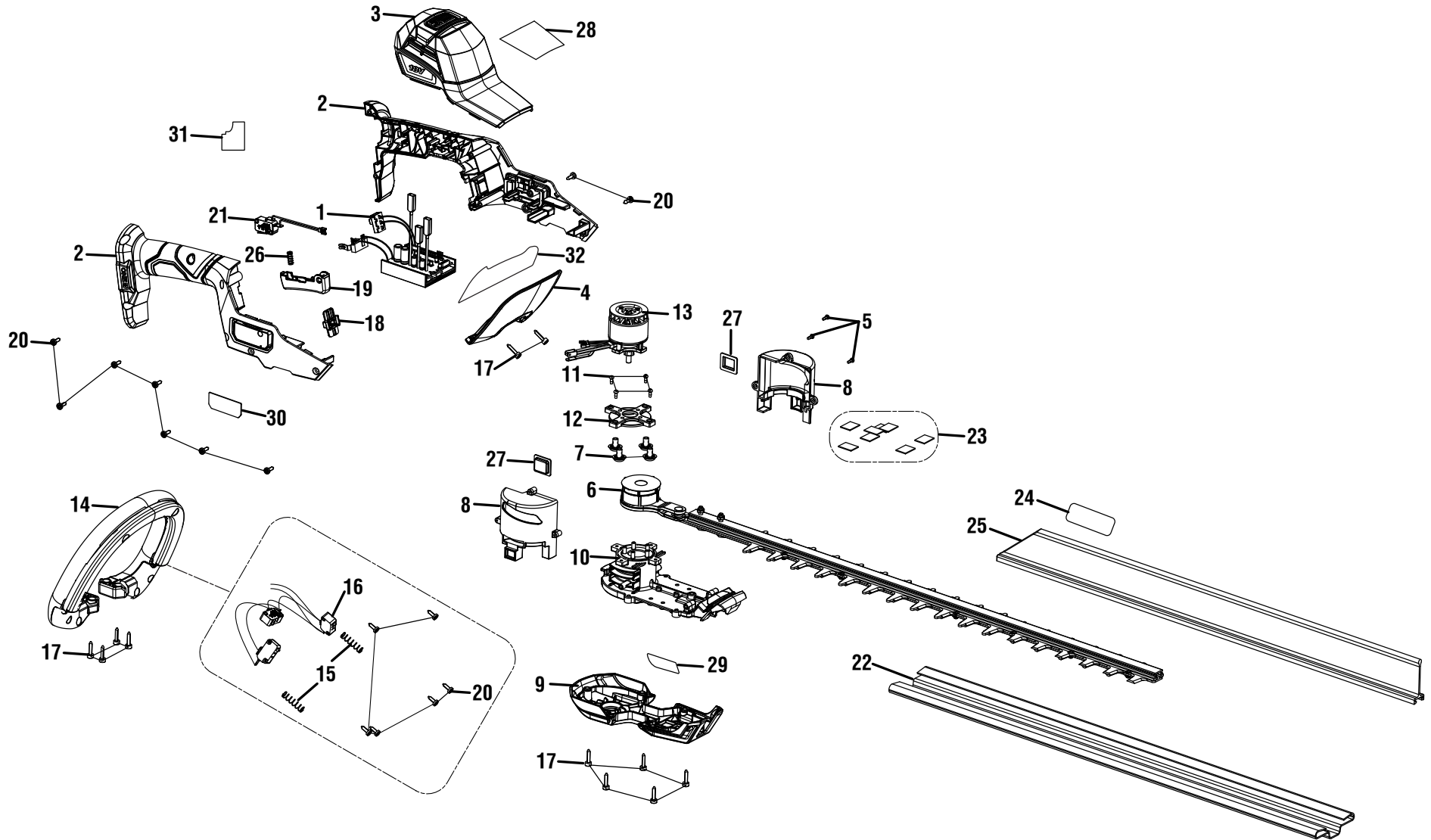


TTI OUTDOOR POWER EQUIPMENT, INC.

P.O. Box 1288, Anderson, SC 29622 ■ 1-800-525-2579 ■ www.ryobitools.com

3-16-22 (Rev:01)

The model number and manufacturing location will be found on a label attached to the product. Always mention this information in all communications regarding this product and when ordering parts.



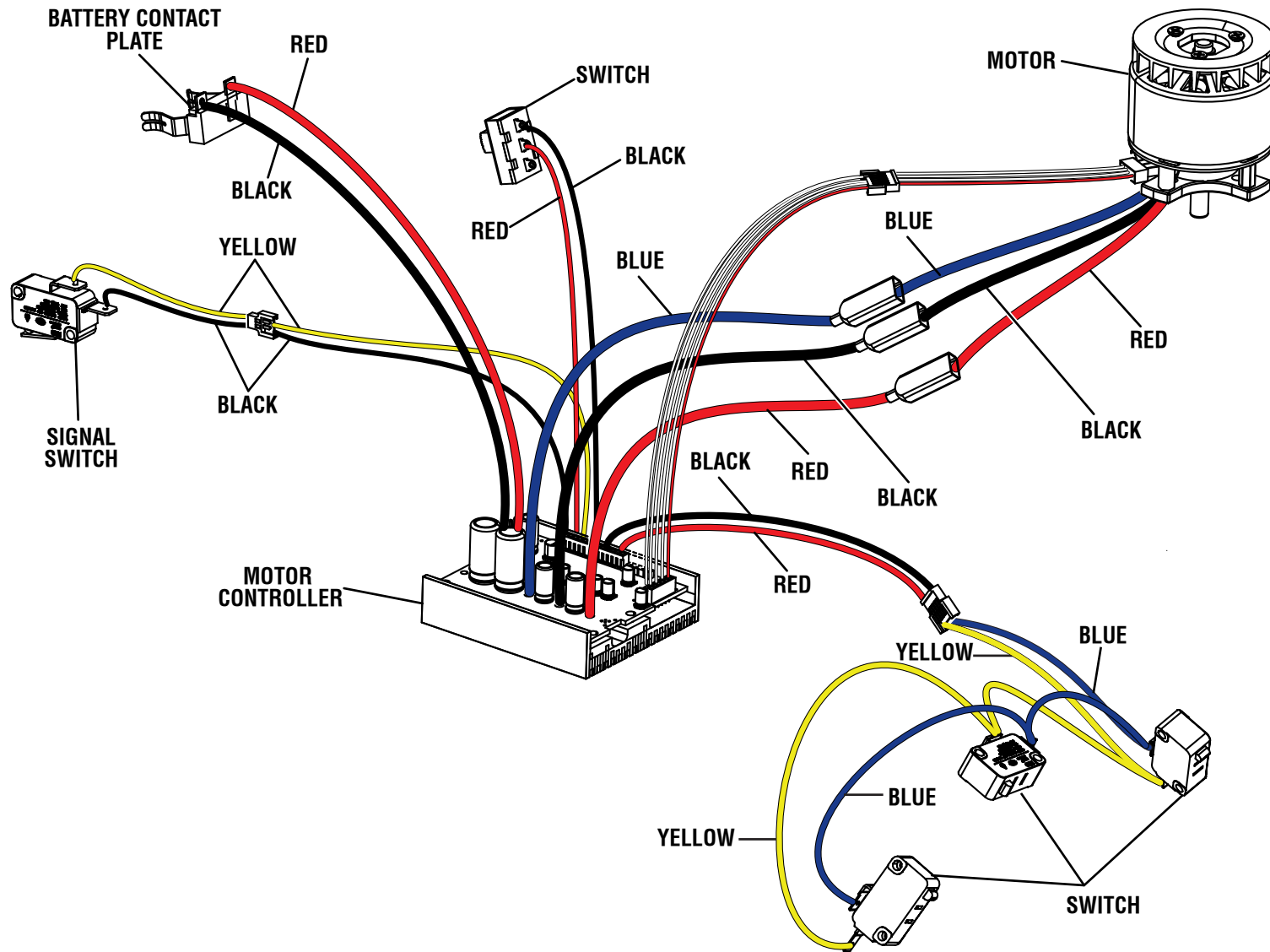


P26011VNM

PARTS LIST

KEY NO.	PART NO.	DESCRIPTION	QTY.
1	281335040	Motor Controller, Switch and Battery Connector Assembly	1
2	205930001	Housing Assembly (Inc. Key Nos. 30-31)	1
3	205932001	Top Cover Assembly (Inc. Key No. 28)	1
4	205933001	Guard Assembly (Inc. Key No. 32)	1
5	660203001	Screw (M3 x 8 mm, Pan Hd.)	3
6	205935001	Gear and Blade Assembly	1
7	661861001	Screw w/Int. Tooth Washer (M4 x 8.5 mm, Pan Hd.)	4
8	205936001	Motor Housing Assembly (Inc. Key No. 5)	1
9	205934001	Gear Box Cover Assembly (Inc. Key No. 29)	1
10	318818001	Gear Box Base Assembly	1
11	660836001	Screw (M3 x 8 mm, T10 Torx Pan Hd.)	4
12	534188001	Motor Plate	1
13	205937001	Motor Assembly	1
14	318819001	Front Handle Assembly (Inc. Key Nos. 15-16)	1
15	679055009	Spring	2
16	292436001	Switches and Wire Assembly	3
17	660970001	Screw (M4 x 17.5 mm, T20 Torx Pan Hd.)	11

KEY NO.	PART NO.	DESCRIPTION	QTY.
18	545751001	Speed Selector	1
19	545748001	Trigger	1
20	660608001	Screw (M4 x 12 mm, T20 Torx Pan Hd.)	15
21	292437001	Micro Switch	1
22	525406008	Scabbard	1
23	902725001	Foam Pad	8
24	941769001	Hedge Sweep Warning Label	1
25	205931001	Hedge Sweep Assembly (Inc. Key No. 24)	1
26	696657001	Spring	1
27	566720001	Rubber Plate	2
28	941263126	Warning Label	1
29	941263127	Whisper Label	1
30	941263128	Data Label	1
31	941263129	QR Label	1
32	941263130	Icon Danger Label	1
	Not Shown:		
	998000822	Operator's Manual	



WIRING DIAGRAM