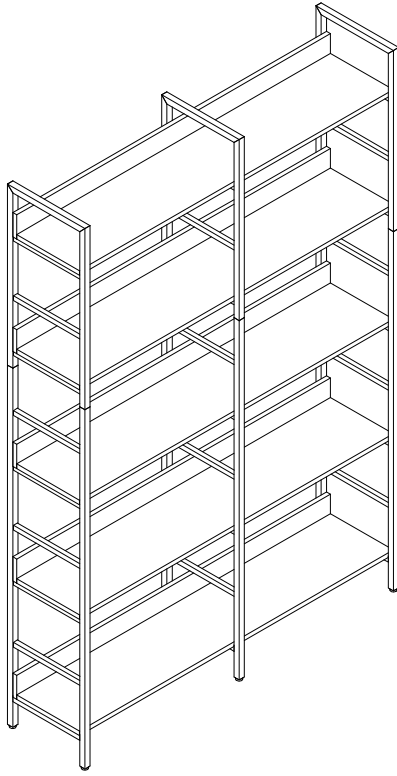
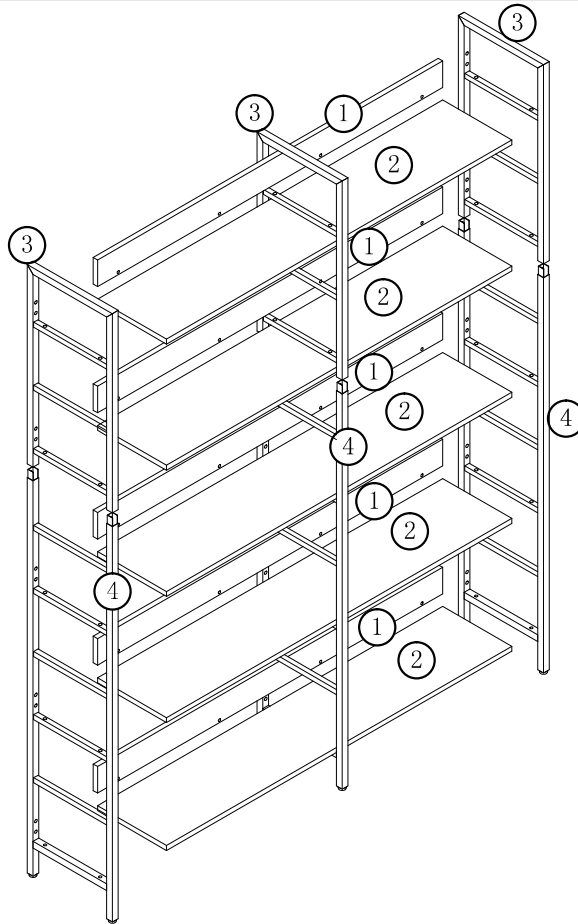


ASSEMBLY

INSTRUCTION



Notes: Don't tighten screws completely at first, just in case parts were assembled wrong and need disassembled. Tighten screws at last when all parts are put together.

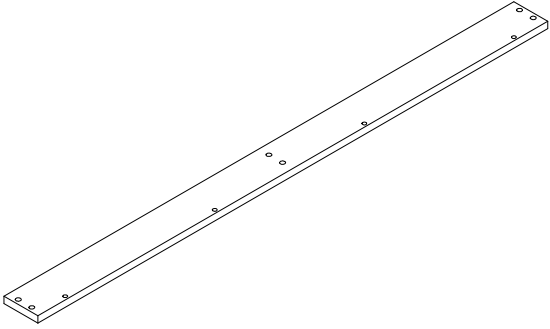


No.	PICTURE	SIZE	QTY	No.	PICTURE	SIZE	QTY
A		M6*10	12	E		20*20	6
B		M6*25	24	F		M8	6
C		M6*30	36	G	X2		1
D		ST7*40	20				1

ASSEMBLY

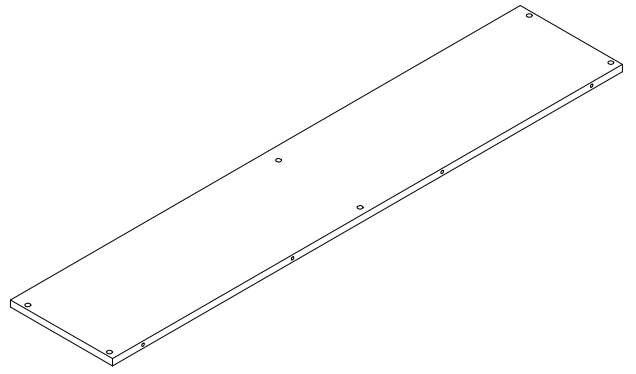
INSTRUCTION

①



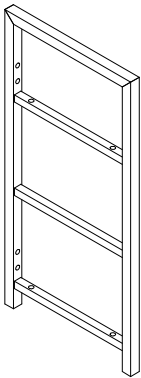
X5

②



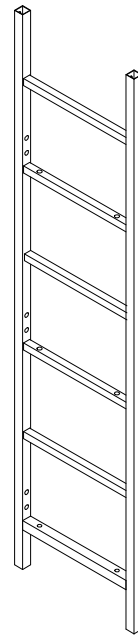
X5

③



X3

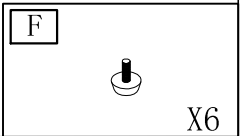
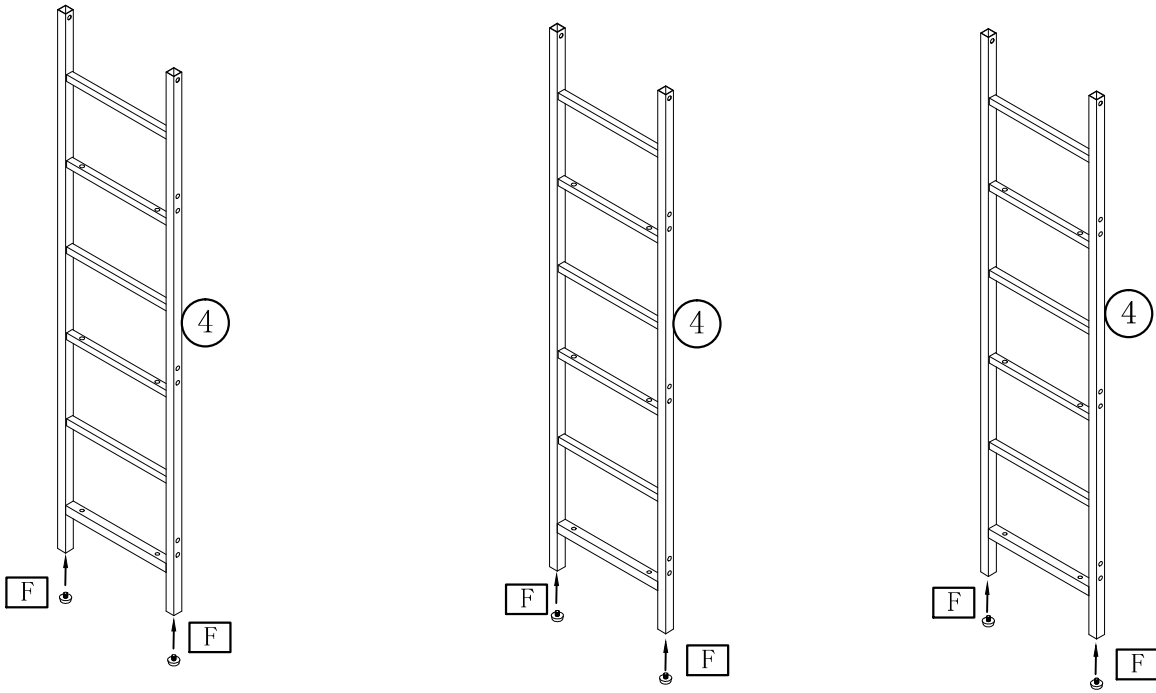
④



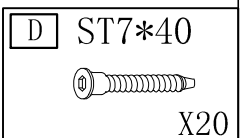
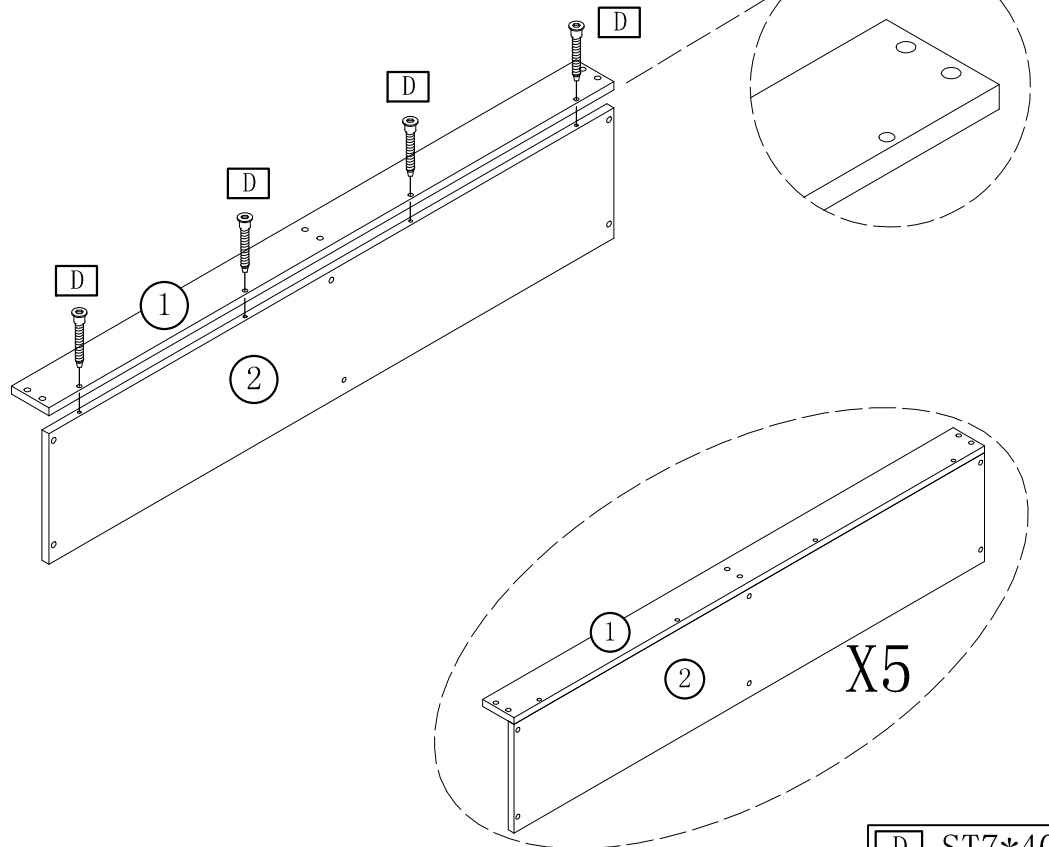
X3

ASSEMBLY INSTRUCTION

STEP 1

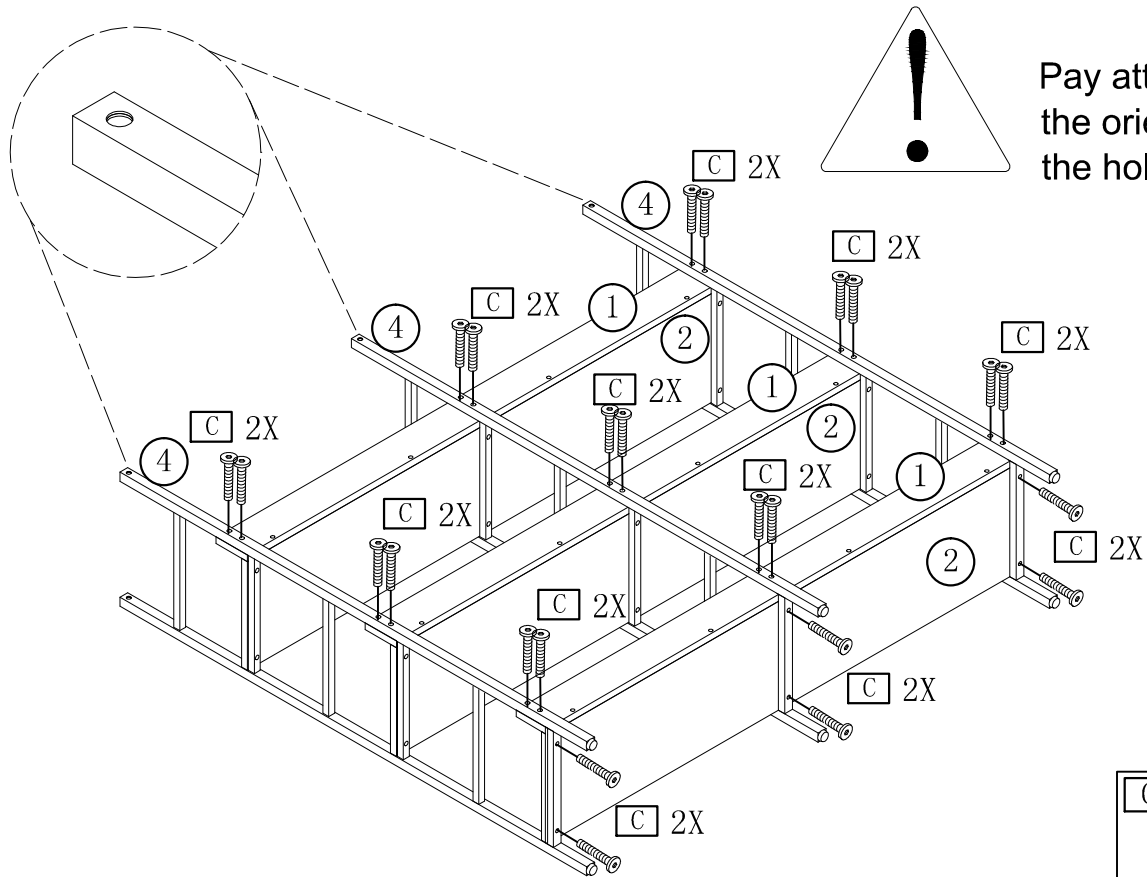


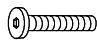
STEP 2



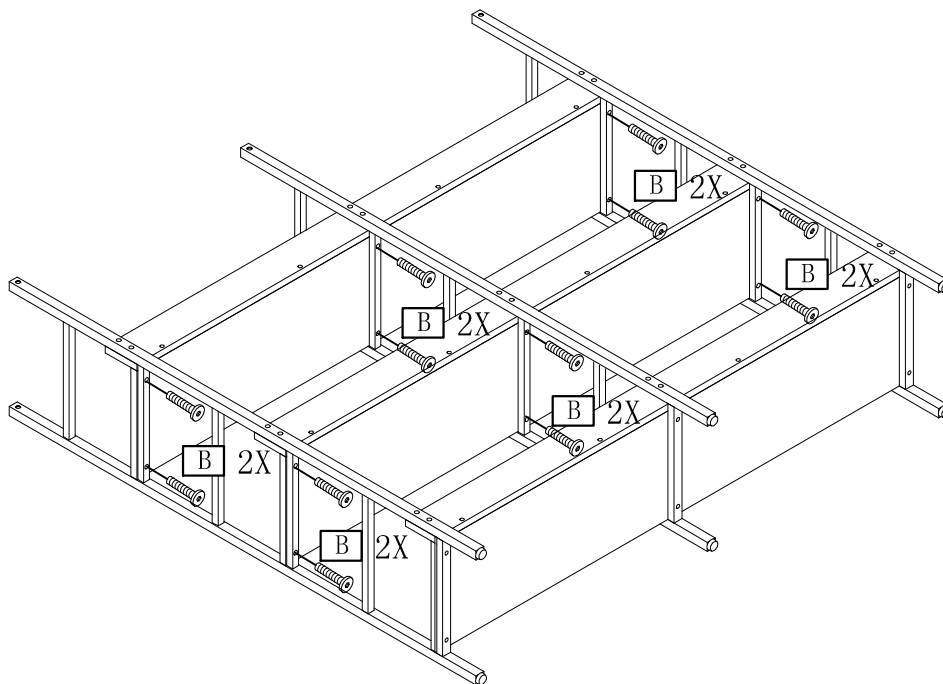
ASSEMBLY INSTRUCTION

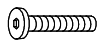
STEP 3



C M6*30

X24

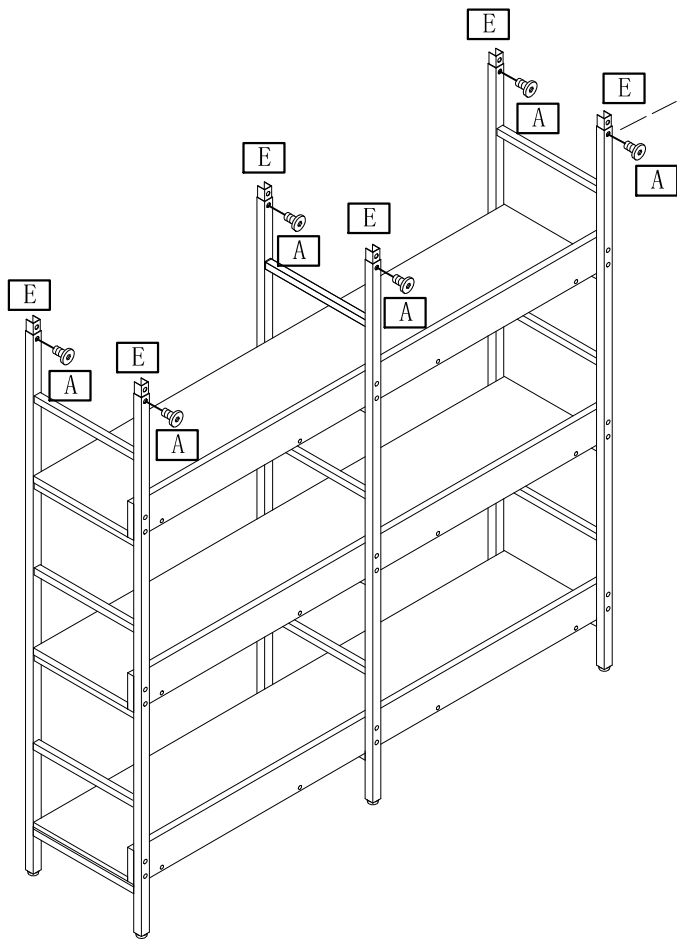
STEP 4




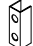
B M6*25

X12

ASSEMBLY INSTRUCTION

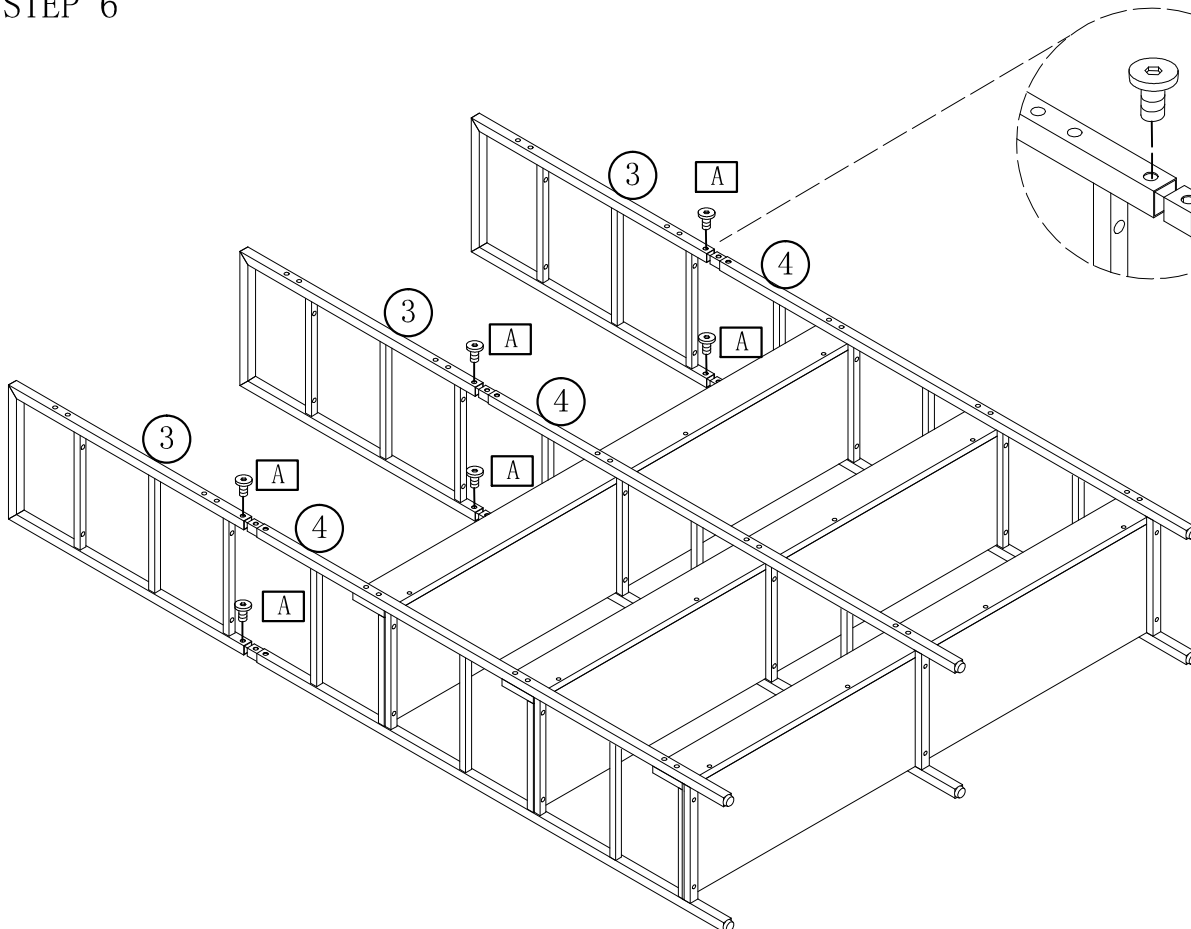
STEP 5




The E fitting used to connect the pipe requires the help of a tool, and then align the hole and knock it down.

A	M6*10
	X6
E	
	X6

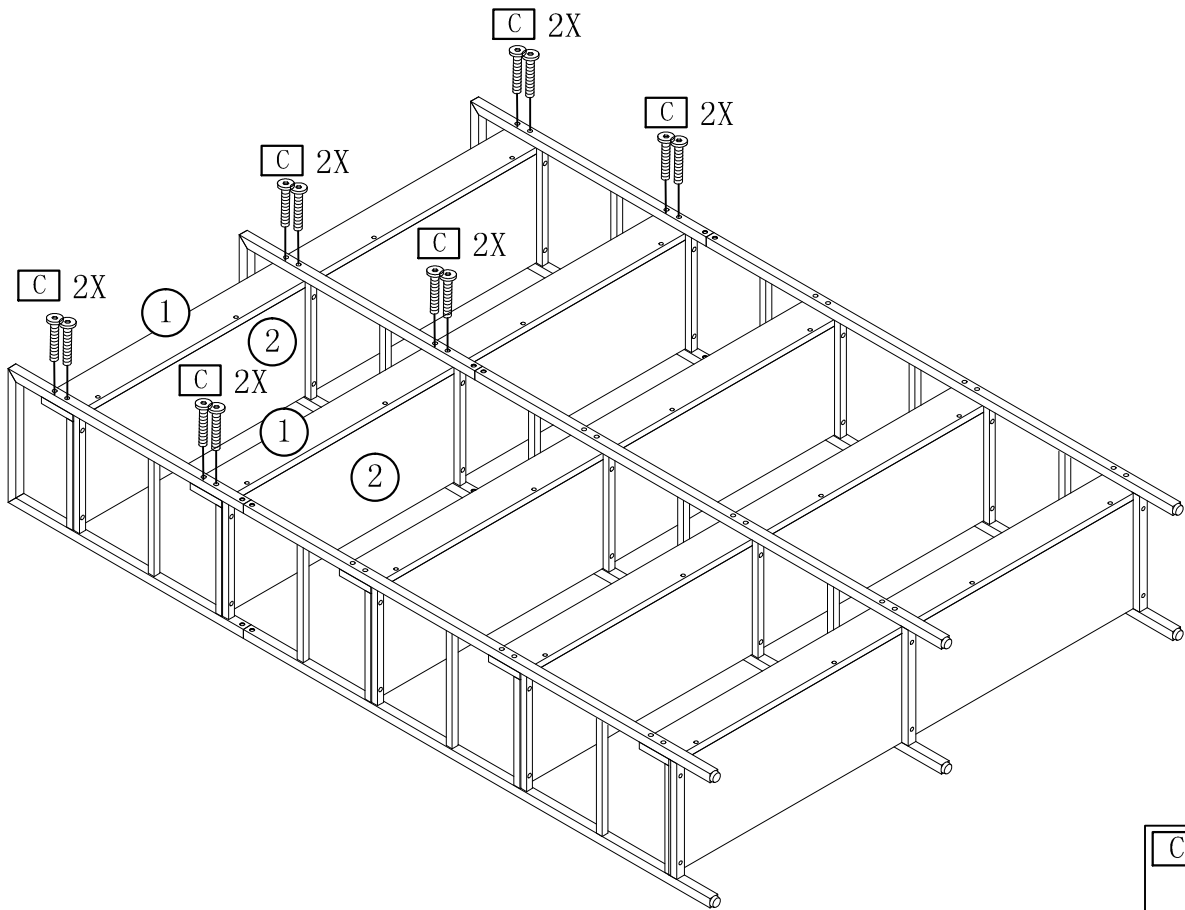
STEP 6

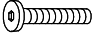


A	M6*10
	X6

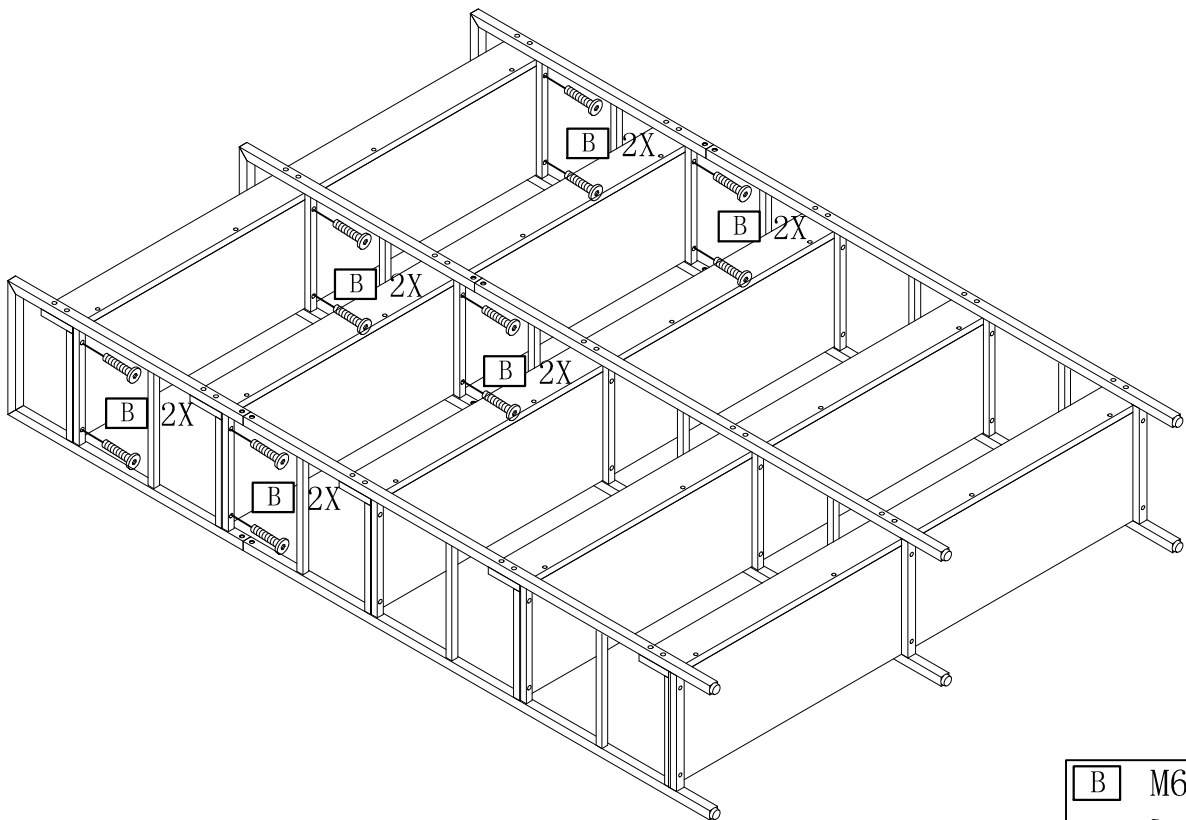
ASSEMBLY INSTRUCTION

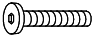
STEP 7



C M6*30

X12

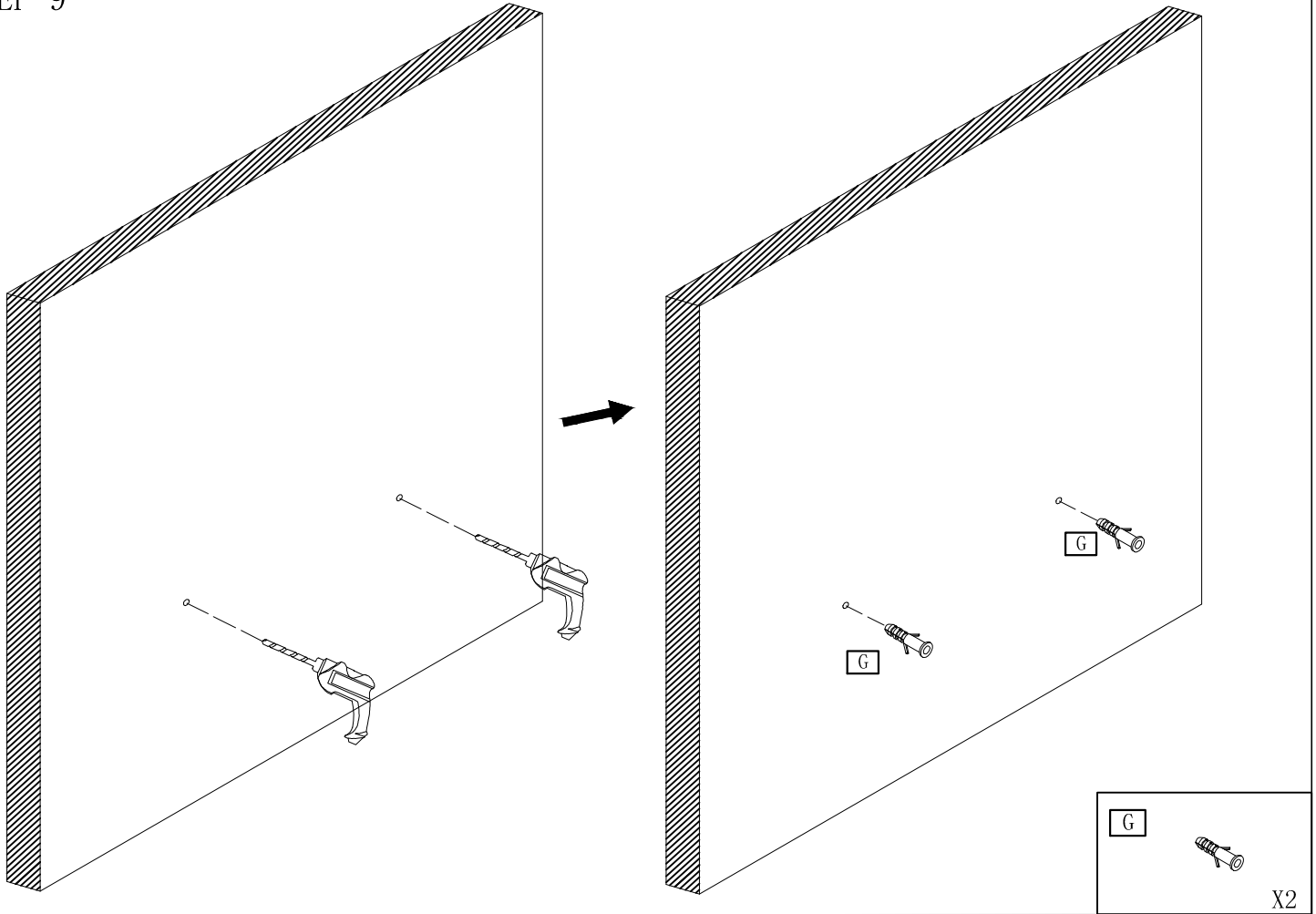
STEP 8



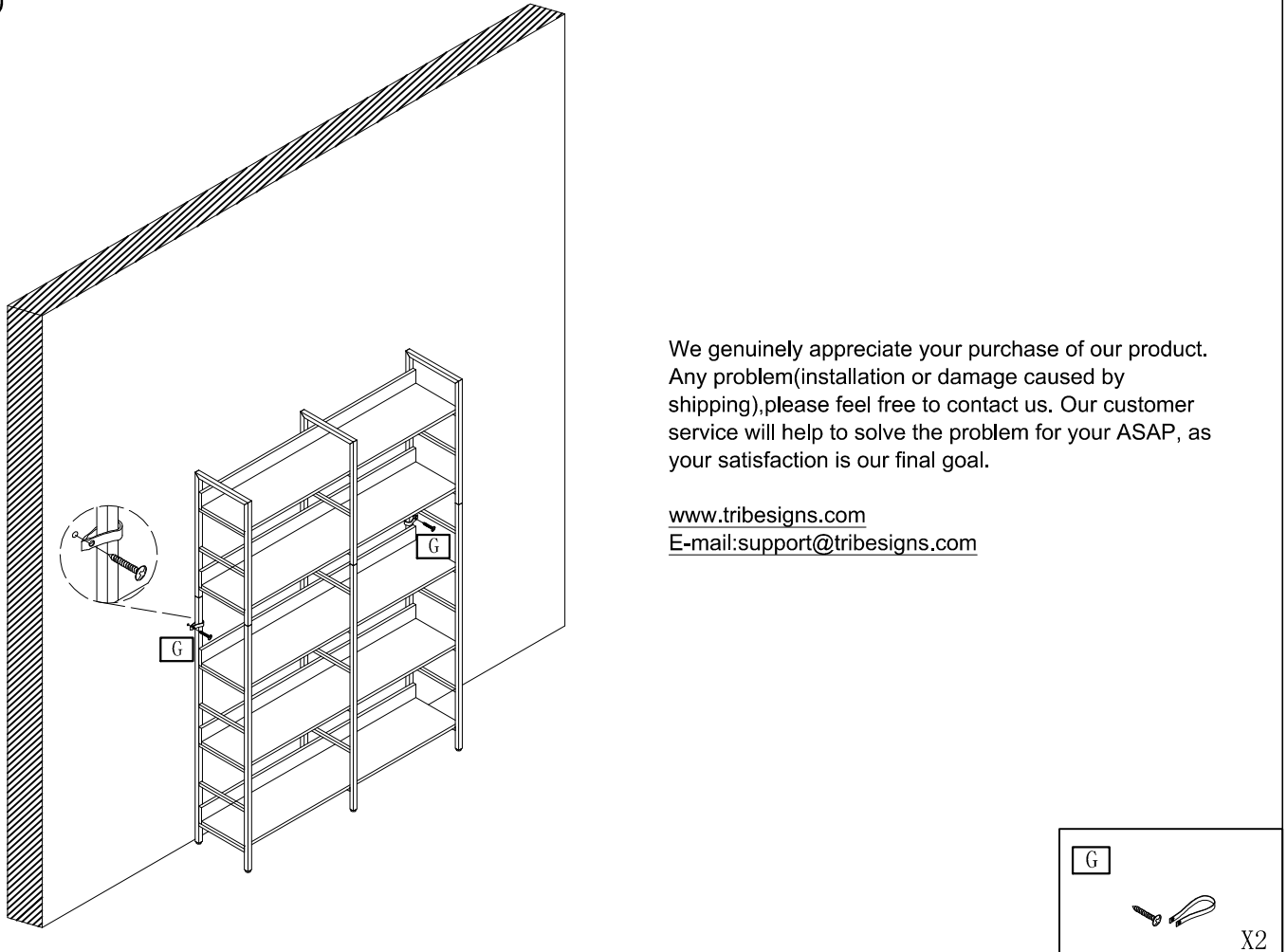
B M6*25

X12

INSTALLATION INSTRUCTION

STEP 9



STEP 10



We genuinely appreciate your purchase of our product. Any problem (installation or damage caused by shipping), please feel free to contact us. Our customer service will help to solve the problem for you ASAP, as your satisfaction is our final goal.

www.tribesigns.com
E-mail: support@tribesigns.com