

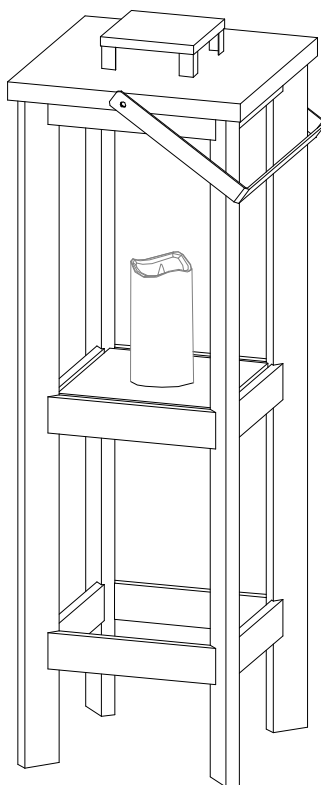


Item # 1003 981 269  
Model # D7LT00472S

## USE AND CARE GUIDE

---

### SMALL SQUARE ARLEN FLOOR LANTERN



**WARNING:** Non-rechargeable batteries are not to be recharged. Do not mix old and new batteries and do not mix alkaline, standard (carbon-zinc) or rechargeable (ni-cad, ni-mh, etc.) batteries. Exhausted batteries are to be removed from the decoration. Dispose of batteries safely.

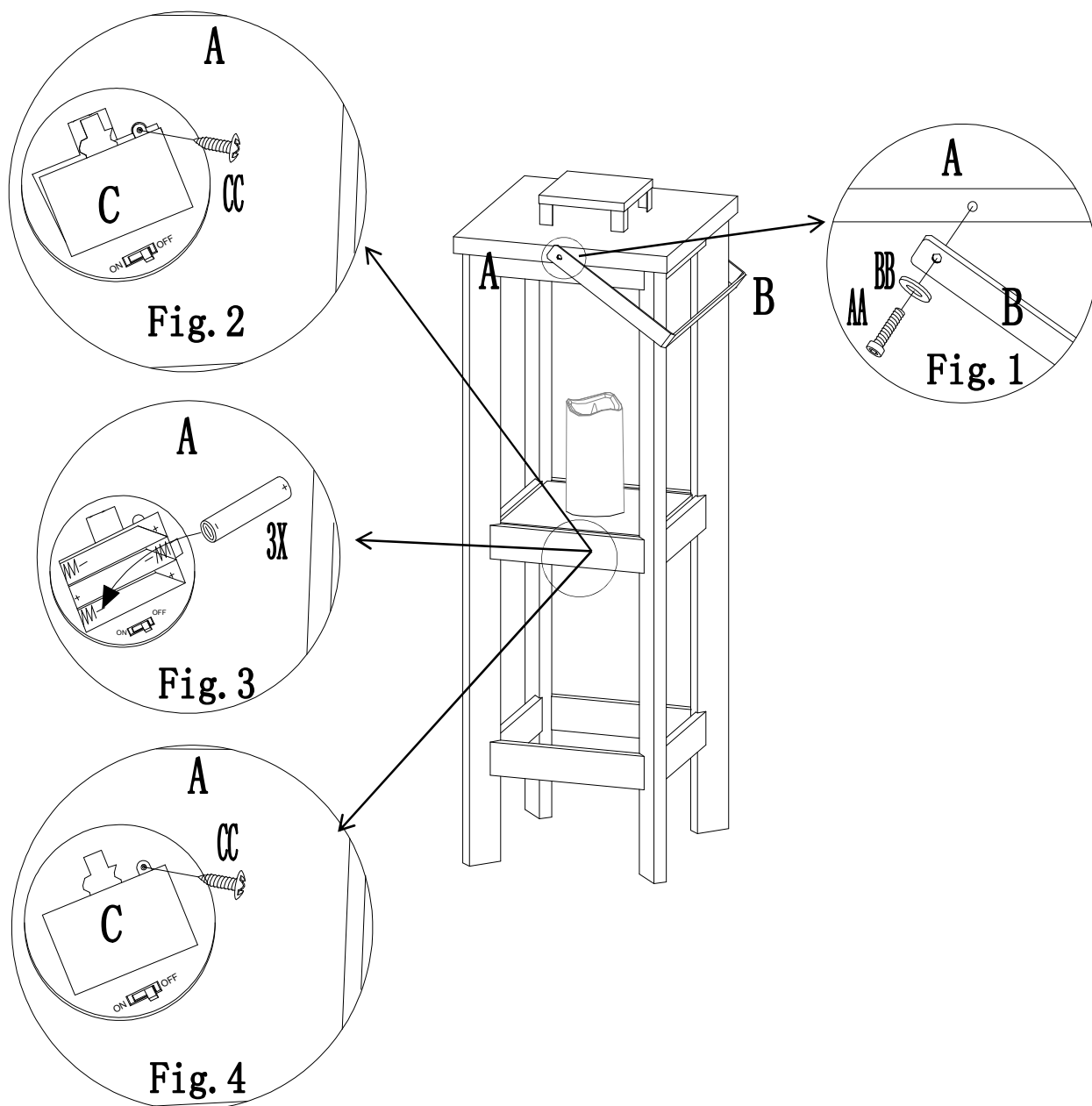
Questions, problems, missing parts? Before returning to the store,  
call Customer Service  
8 a.m. - 7 p.m., EST, Monday-Friday, 9 a.m. - 6 p.m., EST, Saturday

**1-855-HD-HAMPTON**

**HAMPTONBAY.COM**

## Assmebly

1. Attach the Handle(B) to the Lamp body(A) using Bolts (AA) and Flat washers (BB).
2. Disassemble the Screw and remove battery lid.
3. Install the battery into the battery case.
4. Install the battery lid (C) using Screw (CC).



When the assembly is complete, dial the switch button to the ON to turn the light o, Dial to OFF to close.