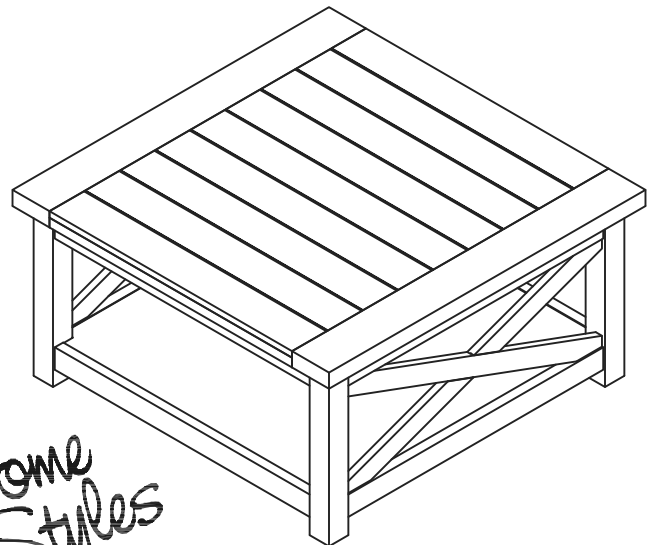


# 88 5523 21 Coffee Table

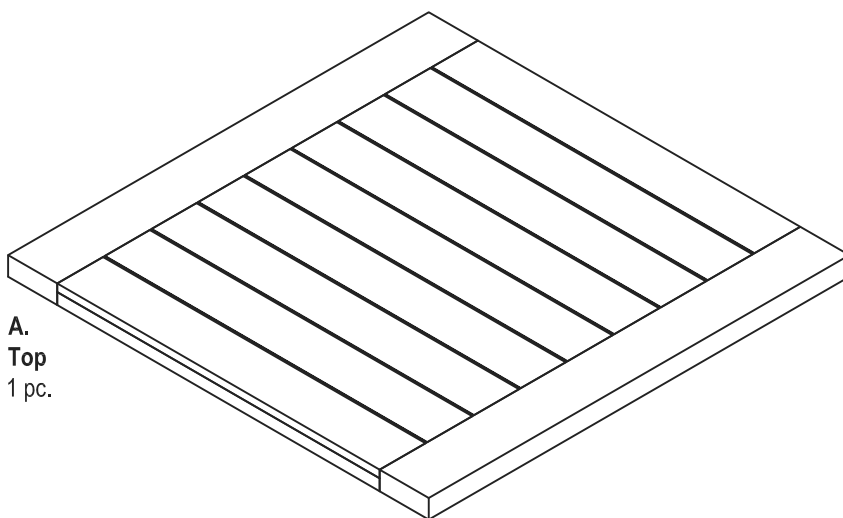


## IMPORTANT NOTE

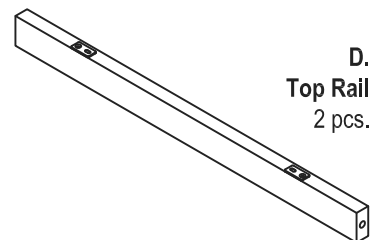
Carefully remove all the parts from the carton and put them individually on a soft cloth to prevent scratches or other damage occurring to the parts.

We have taken great care in the design of this product and request that you carefully and strictly follow our assembly instructions to ensure a completed product as it was designed.

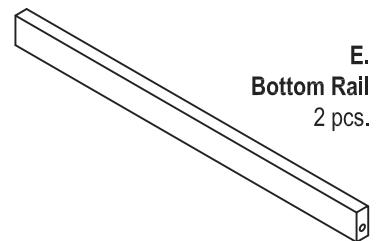
## Part List



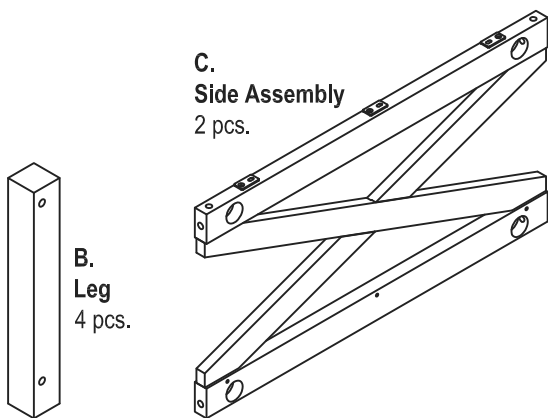
A.  
Top  
1 pc.



D.  
Top Rail  
2 pcs.

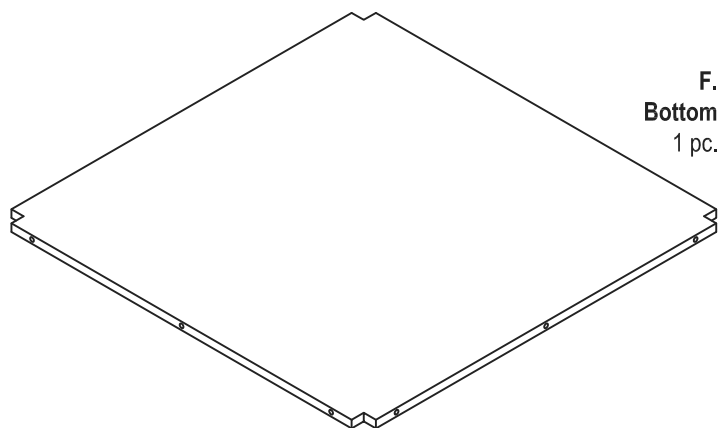


E.  
Bottom Rail  
2 pcs.



C.  
Side Assembly  
2 pcs.

B.  
Leg  
4 pcs.



F.  
Bottom  
1 pc.

## Hardware List



Cam Lock Screw  
12 pcs. (+2 extra)



Cam Lock  
12 pcs. (+2 extra)



(M4x19)  
3/4" Flat Head Screw  
10 pcs. (+1 extra)



(5/16"x3 5/32")  
Bolt  
16 pcs. (+1 extra)



Flat Washer  
16 pcs. (+1 extra)



Nut  
16 pcs. (+1 extra)



Wrench  
1 pc.

Tools Required For Assembly : Phillips screwdriver

Tools Recommended For Assembly : Level

**Home Styles Consumer Assistance:** [www.homestyles-furniture.com](http://www.homestyles-furniture.com),  
[servicedesk@homestyles-furniture.com](mailto:servicedesk@homestyles-furniture.com), 888-680-7460, 877-831-0319

# Assembly Instructions 2/4

## IMPORTANT

- \* You should keep Wrench in a safe place as you may need to tighten up the Nuts in the future.
- \* Do not tighten up all the screws until each part is properly assembled.
- \* Use a soft cloth between these parts and the floor.
- \* After assembly, item must be level to work properly.  
Use the included adjustable levelers to level.

## STEP 1

Insert Cam Lock Screws into the pre-drilled holes of Side Assemblies (C) and Bottom Rails (E).

Insert Bolts into the pre-drilled holes of Legs (B).

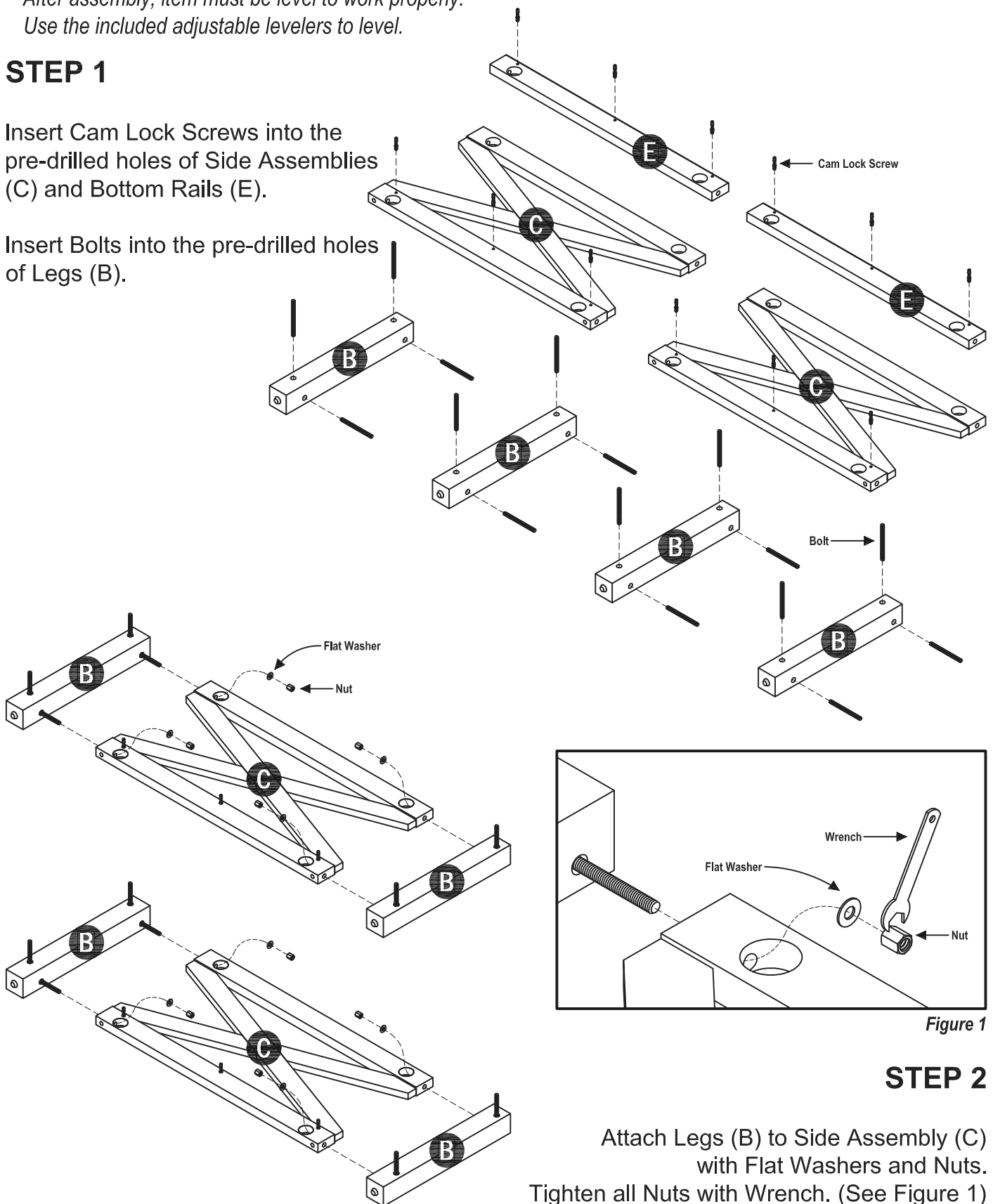


Figure 1

## STEP 2

Attach Legs (B) to Side Assembly (C) with Flat Washers and Nuts. Tighten all Nuts with Wrench. (See Figure 1)

**STEP 3**

Attach Bottom Rails (E) to Bottom (F) with Cam Locks.  
(See Figure 2)

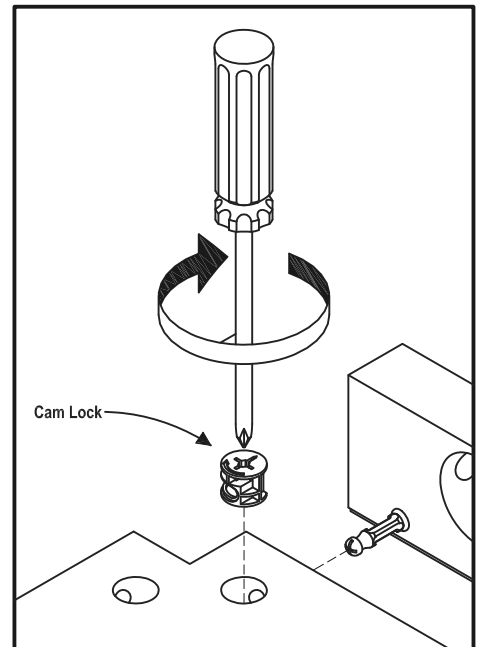
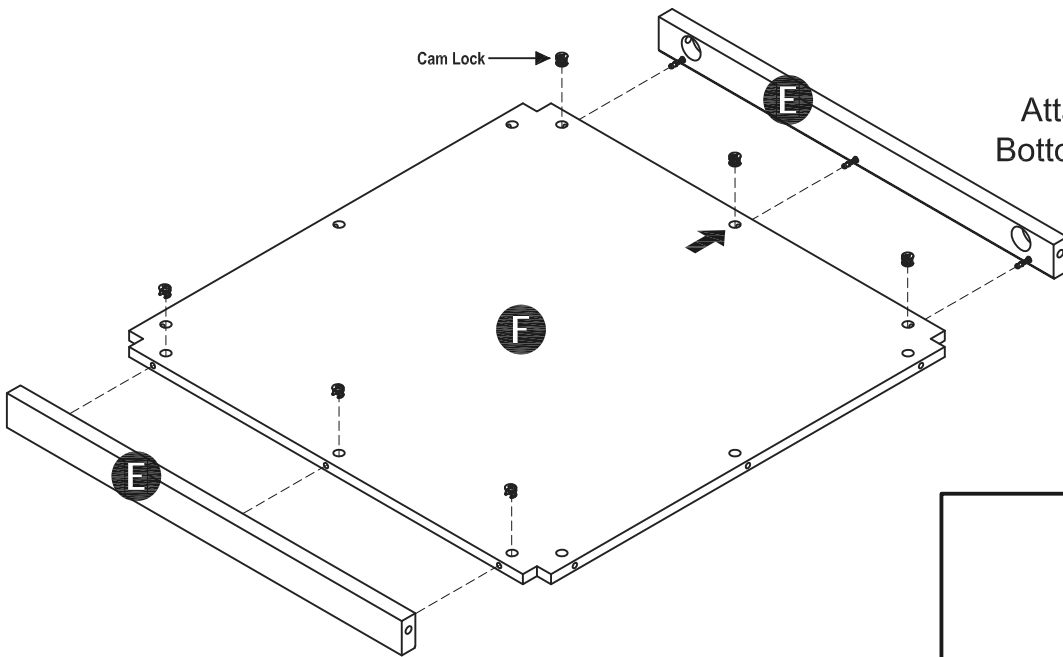
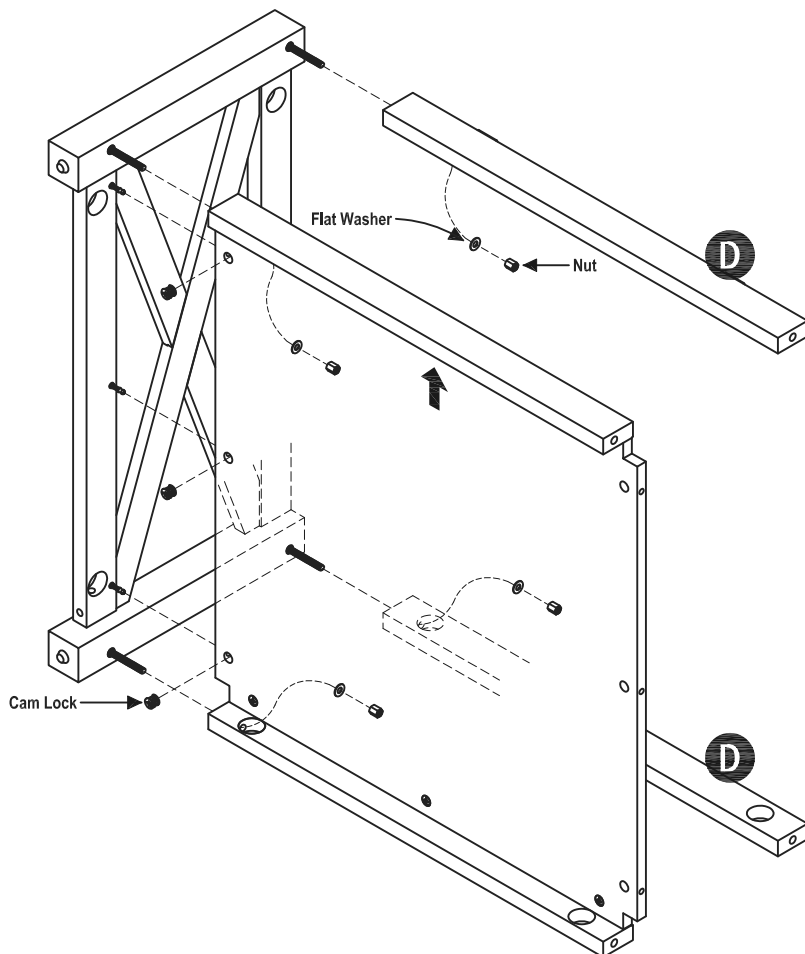


Figure 2



**STEP 4**

Attach Top Rails (D) and unit from Step 3 to side unit with Flat Washers, Nuts and Cam Locks. Tighten all Nuts with Wrench.

## STEP 5

Attach side unit to unit from Step 4 with Flat Washers, Nuts and Cam Locks. Tighten all Nuts with Wrench.

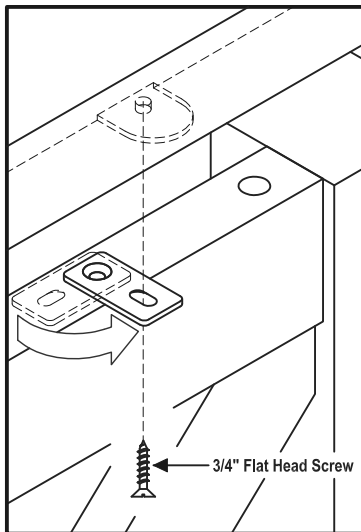


Figure 3

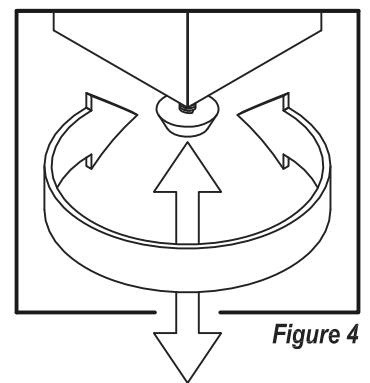
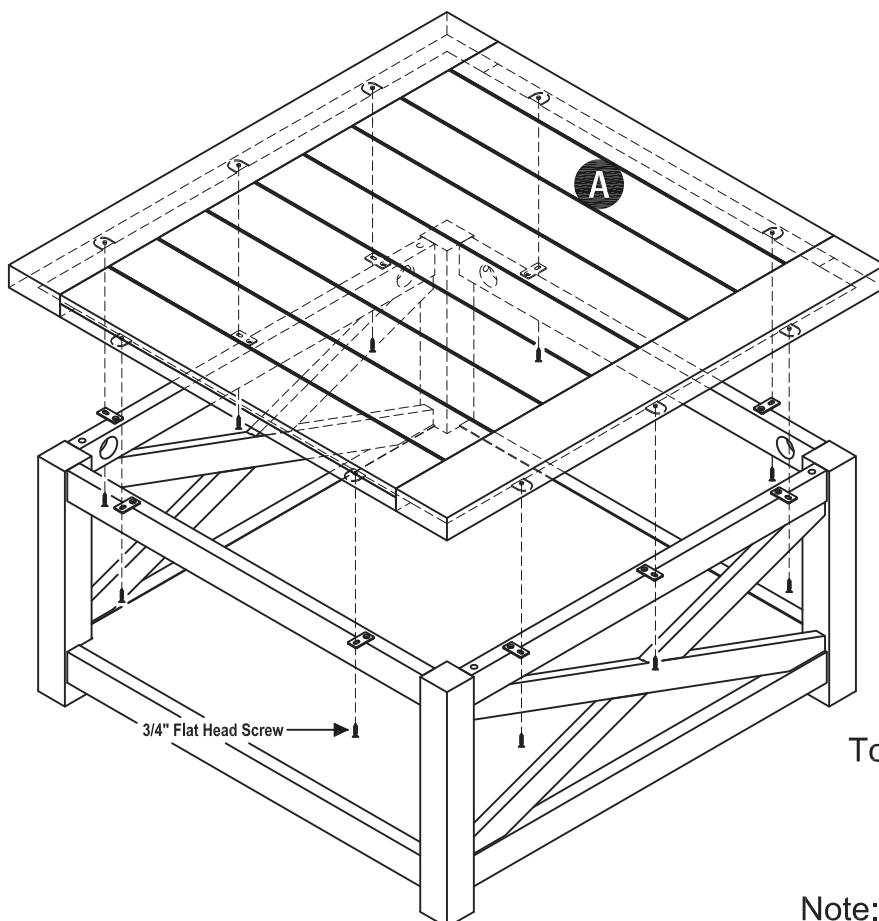
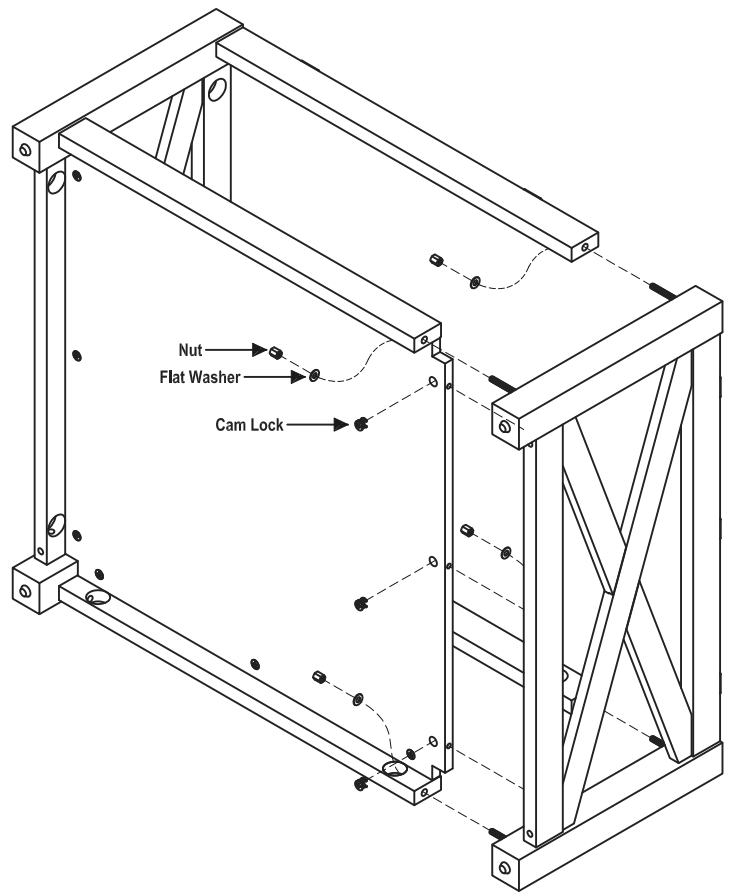


Figure 4

## STEP 6

Rotate metal tabs on the unit out and attach Top (A) to unit with 3/4" Flat Head Screws. (See Figure 3)

To level the unit, adjust the adjustable levelers on the bottom of the legs. (See Figure 4)

Note: Unit must be level to work properly.

# VERY IMPORTANT !!

## CARE INSTRUCTIONS

### NEVER

USE GLASS CLEANERS ON FINISHED FURNITURE. AMMONIA WILL CHEMICALLY ATTACK THE FINISH.

### NEVER

ALLOW LIQUIDS OF ANY KIND TO REMAIN ON THE FURNITURE. ABSORPTION CAUSES PART TO WARP AND SPLIT AND FINISHES TO DELAMINATE.

DO NOT WRITE DIRECTLY ON SURFACE.



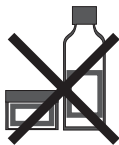
**PREVENT MARKING**

DO NOT PLACE IN DIRECT SUNLIGHT.



**PREVENT FADING**

DO NOT USE COMMERCIAL WAXES AND POLISHES.



**PREVENT YELLOWING**

DO NOT PLACE HOT OBJECTS ON SURFACE.



**PREVENT FINISH DAMAGE**

DO NOT USE RUBBER BASED PLACE MATS.



**PREVENT DISCOLORING**

## TO CLEAN

USE A SOFT CLOTH MOISTENED IN LUKEWARM SOAP AND WATER, THEN BUFF WITH A DRY CLEAN CLOTH.



Home Styles will provide replacements free of charge for missing or damaged hardware or parts within 30 days of purchase. Digital images of the defective parts may be required. If this product was not purchased from an authorized retail affiliate, Home Styles is under no obligation to provide replacement parts. Parts are not available for fully assembled items nor are parts available for sale. Replacements for missing or damaged hardware or parts may be requested at:

[www.homestyles-furniture.com/customer\\_service](http://www.homestyles-furniture.com/customer_service)

**Home Styles Consumer Assistance:** [www.homestyles-furniture.com](http://www.homestyles-furniture.com),  
[servicedesk@homestyles-furniture.com](mailto:servicedesk@homestyles-furniture.com), 888-680-7460, 877-831-0319