

**Safety**  
**Sûreté**  
**Seguridad**



**WARNING:** Assembly by adult.  
**AVERTISSEMENT:** L'assemblage doit être exécuté par un adulte.  
**ADVERTENCIA:** El ensamblaje lo debe hacer un adulto.

**FOR PRIVATE BACKYARD USE ONLY  
DO NOT USE IN PUBLIC SETTINGS!**

**SOLAMENTE PARA USO EN EL PATIO TRASERO PRIVADO  
¡NO DEBE USARSE EN LUGARES PUBLICOS!**

**PRODUIT NON-CONÇU POUR UNE UTILISATION COMMERCIALE  
UTILISEZ UNIQUEMENT EN RÉSIDENCES PRIVÉES!**

## **IMPORTANT!!**

### **PLEASE READ BEFORE BEGINNING ASSEMBLY!!**

Please make sure all lumber, hardware and accessory parts are accounted for.  
If you are missing anything, please **DO NOT RETURN** to the store where purchased.  
Please call our Customer Service Department at the number below.

## ASSEMBLY INSTRUCTIONS

Swing-N-Slide • 1212 Barberry Drive • Janesville, Wisconsin 53545  
Visit our web site at: [www.swing-n-slide.com](http://www.swing-n-slide.com) or call us at 1-800-888-1232



## Safety Checklist for Swing-N-Slide Play Sets and Accessories

### Observing the following statements and warnings reduces the likelihood of serious or fatal injury

- This playset has been designed for use by a maximum of thirteen occupants at one time having a combined weight of 1,365 pounds.
- This playset is intended for use by children from (2) to (10) years of age.
- On-site adult supervision for children of all ages is recommended.
- Instruct children not to walk close to, in front of, behind, or between moving items.
- Instruct children not to twist swing chains or ropes or loop them over the top support bar since this may reduce the strength of the chain or rope.
- Instruct children to avoid swinging empty seats.
- Teach children to sit in the center of the swings with their full weight on the seats.
- Instruct children not to use the equipment in a manner other than intended.
- Instruct children not to get off equipment while it is in motion.
- Do not allow children to wear inappropriate items, such as but not limited to, loose fitting clothing, hood and neck drawstrings, scarves, cord-connected items, capes and ponchos. These items can cause death by strangulation.
- Instruct children not to climb when the equipment is wet. Slippery surfaces may cause a hazard.
- Verify that suspended climbing ropes, chain, or cable are secured at both ends.
- Verify that suspended climbing ropes, chain, or cable cannot be looped back on itself.
- Instruct children not to attach items to the playground equipment that are not specifically designed for use with the equipment, such as, but not limited to, jump ropes, clothesline, pet leashes, cables and chain as they may cause a strangulation hazard.
- Instruct children to remove their bike or other sports helmet before playing on the playground equipment.
- Dress children with well-fitting and full foot enclosing footwear. Examples of inappropriate footwear are clogs, flip flops, and sandals.
- Instruct children to not walk or run up slides.
- Instruct children to not pick up slides or ramps as this may cause damage or breakage.
- Place the equipment on level ground not less than six (6) feet from any obstructions. Be sure to look overhead for any obstructions above the playset.
- Do not use the equipment until fully erected per this playset instruction manual, bolts tightened and the playset is anchored to the ground.

### **IMPORTANT!**

**This product is intended for single family home/residential use only and not intended for use in any public setting. Placement in any public setting constitutes a misuse of this product.**



# PLAYSET MAINTENANCE

Cosmetic defects that do not affect the structural integrity of the product, or natural defects of wood such as warping, splitting, checking, twisting, shrinkage, swelling or any other physical properties of wood that do not present a safety hazard, are not covered by our warranty.

To help minimize these natural defects we recommend applying a sealer or stain every two or three years, or more often as the climate dictates. Power washing, sanding or other preparatory methods should be used prior to sealing or staining.

Periodic maintenance is required to ensure safe enjoyment of your playset and accessories. Read and follow the Playset Checklist below to reduce the likelihood of serious or fatal injury. Use the checklists as a guide for proper playset care and maintenance.

## PLAYSET CHECKLIST

### At the beginning of each play season:

- Tighten all hardware.
- Lubricate all metallic moving parts per manufacturer's instructions.
- Check all protective coverings on bolts, pipes, edges, and corners. Replace if they are loose, cracked, or missing.
- Check all moving parts including swing seats, ropes, cables, and chains for wear, rust, or other deterioration. Replace as needed.
- Check metal parts for rust. If found, sand and repaint using a nonleaded-based paint meeting the requirements of 16 CFR 1303.
- Check all wood members for deterioration and splinters. Sand down splinters and replace deteriorating wood members.
- Reinstall any plastic parts, such as swing seats or any other items that were removed for the cold season.
- Rake and check depth of loose fill protective surfacing materials to prevent compaction and to maintain appropriate depth. Replace as necessary.

### Twice a month during play season:

- Tighten all hardware.
- Check all protective coverings on bolts, pipes, edges, and corners. Replace if they are loose, cracked, or missing.
- Rake and check depth of loose fill protective surfacing materials to prevent compaction and to maintain appropriate depth. Replace as necessary.

### Once a month during play season:

- Lubricate all metallic moving parts per manufacturer's instructions.
- Check all moving parts including swing seats, ropes, cables, and chains for wear, rust, or other deterioration. Replace as needed.

### At the end of each play season or when the temperature drops below 10°F:

- Remove plastic swing seats, tents, sandbox cover, tire swing, slide and other items as specified by the manufacturer and take indoors or do not use.
- Rake and check depth of loose fill protective surfacing materials to prevent compaction and to maintain appropriate depth. Replace as necessary.
- Owner shall be responsible for maintaining the legibility of warning labels.

**When you are ready to dispose of your playset, make sure that all metal, plastic and wood components are disposed of in accordance with local waste ordinances.**

**Buyer and/or owner should disassemble and dispose of the playground equipment in such a way that no unreasonable hazards will exist at the time the swing set is discarded. Do not burn your playset's preserved wood.**

**For further information on playground safety, the Consumer Product Safety Commission (CPSC) publishes the Outdoor Home Playground Safety Handbook which can be downloaded for free from [www.cpsc.gov](http://www.cpsc.gov). An additional resource is the American Society of Testing and Materials (ASTM) Standard Consumer Safety Performance Specification for Home Playground Equipment (ASTM F1148) which can be purchased and downloaded from [www.astm.org](http://www.astm.org).**

# PLAYGROUND SURFACING MATERIALS

## SECTION 4 OF THE CONSUMER PRODUCT SAFETY COMMISSION'S OUTDOOR HOME PLAYGROUND SAFETY HANDBOOK<sup>9</sup>

### Select Protective Surfacing

One of the most important things you can do to reduce the likelihood of serious head injuries is to install shock-absorbing protective surfacing under and around your play equipment. The protective surfacing should be applied to a depth that is suitable for the equipment height in accordance with ASTM Specification F 1292. There are different types of surfacing to choose from; whichever product you select, follow these guidelines:

**NOTE:** Do not install home playground equipment over concrete, asphalt, or any other hard surface. A fall onto a hard surface can result in serious injury to the equipment user. Grass and dirt are not considered protective surfacing because wear and environmental factors can reduce their shock absorbing effectiveness. Carpeting and thin mats are generally not adequate protective surfacing. Ground level equipment - such as a sandbox, activity wall, playhouse or other equipment that has no elevated play surface - does not need any protective surfacing.

### Maximum fall height for this playset is 83".

#### Loose-Fill Materials:

- Maintain a minimum depth of 9 inches of loose-fill materials such as wood mulch/chips, engineered wood fiber (EWF), or shredded/recycled rubber mulch for equipment up to 8 feet high; and 9 inches of sand or pea gravel for equipment up to 5 feet high. NOTE: An initial fill level of 12 inches will compress to about a 9-inch depth of surfacing over time. The surfacing will also compact, displace, and settle, and should be periodically refilled to maintain at least a 9-inch depth.
- Use a minimum of 6 inches of protective surfacing for play equipment less than 4 feet in height. If maintained properly, this should be adequate. (At depths less than 6 inches, the protective material is too easily displaced or compacted.)
- Use containment, such as digging out around the perimeter and/or lining the perimeter with landscape edging. Don't forget to account for water drainage.
- Check and maintain the depth of the loose-fill surfacing material. To maintain the right amount of loose-fill materials, mark the correct level on play equipment support posts. That way you can easily see when to replenish and/or redistribute the surfacing.
- Do not** install loose fill surfacing over hard surfaces such as concrete or asphalt.

#### Poured-In-Place Surfaces or Pre-Manufactured Rubber Tiles:

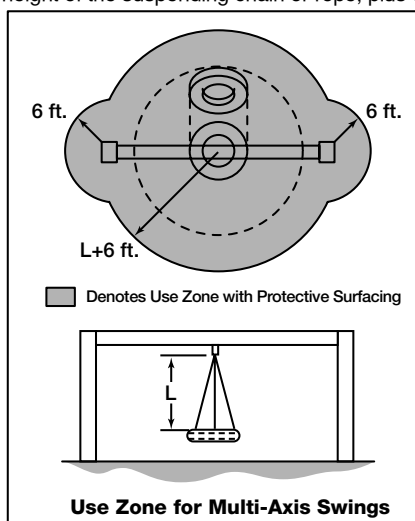
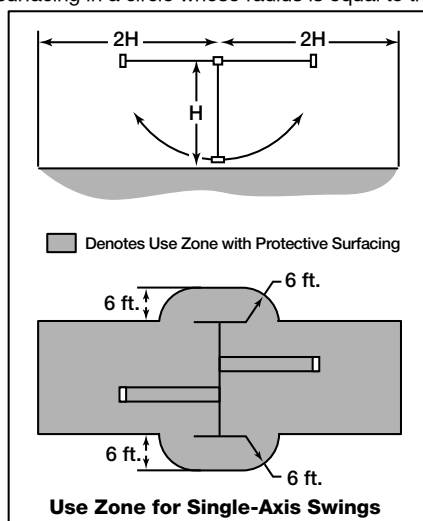
You may be interested in using surfacing other than loose-fill materials - like rubber tiles or poured-in-place surfaces.

- Installations of these surfaces generally require a professional and are not "do-it-yourself" projects.
- Review surface specifications before purchasing this type of surfacing. Ask the installer/manufacture for a report showing that the product has been tested to the following safety standard: ASTM F 1292 Standard Specification for Impact Attenuation of Surfacing Materials within the Use Zone of Playground Equipment. This report should show the specific height for which the surface is intended to protect against serious head injury. This height should be equal to or greater than the fall height - vertical distance between a designated play surface (elevated surface for standing, sitting, or climbing) and the protective surfacing below - of your play equipment.
- Check the protective surfacing frequently for wear.

### Placement

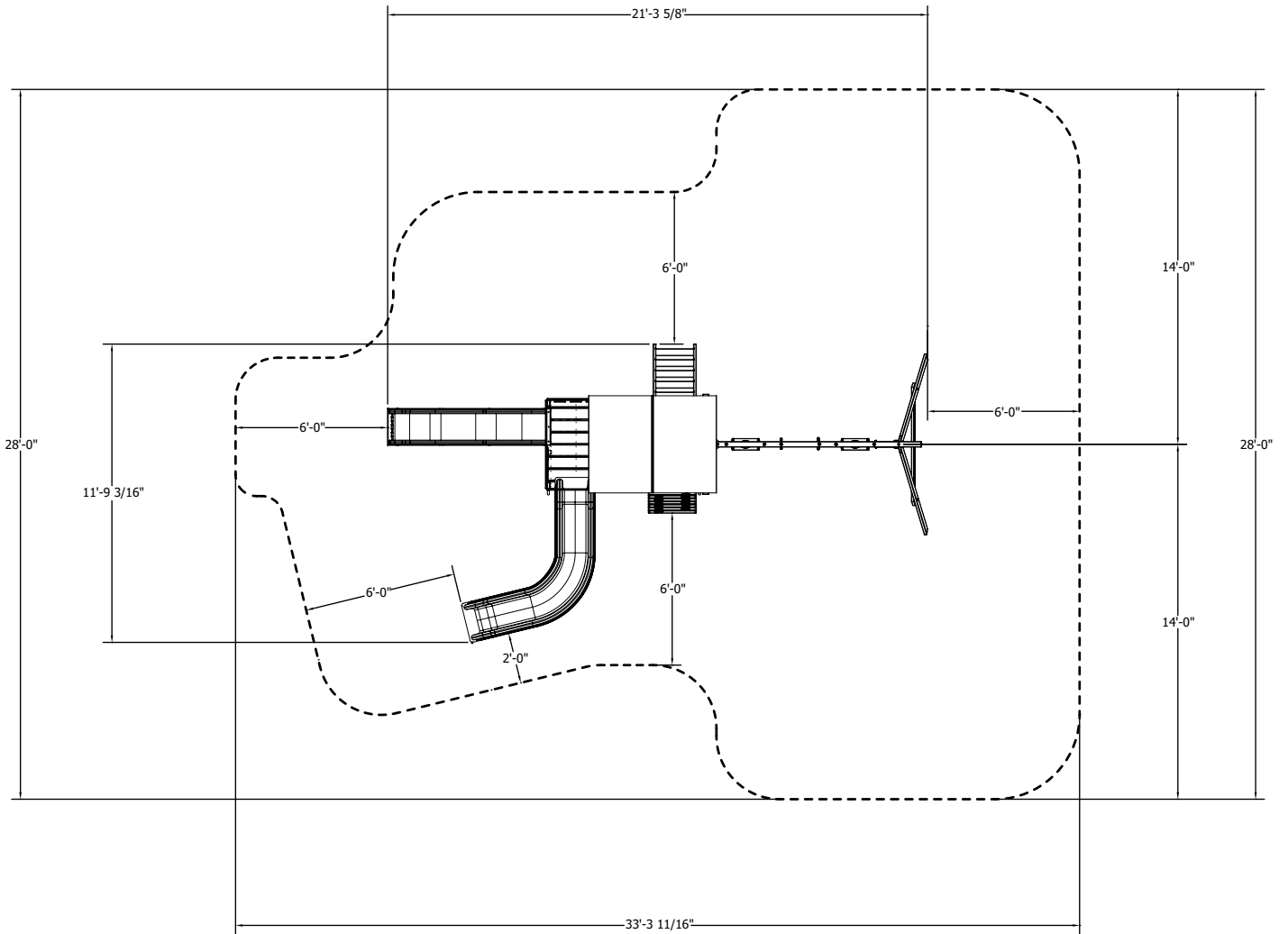
Proper placement and maintenance of protective surfacing is essential. Be sure to

- Extend surfacing at least 6 feet from the equipment in all directions.
- For to-fro swings, extend protective surfacing in front of and behind the swing to a distance equal to twice the height of the top bar from which the swing is suspended.
- For tire swings, extend surfacing in a circle whose radius is equal to the height of the suspending chain or rope, plus 6 feet in all directions.



<sup>9</sup> This information has been extracted from the CPSC publications "Playground Surfacing-Technical Information Guide" and "Handbook for Public Playground Safety." Copies of these reports can be obtained by sending a postcard to the: Office of Public Affairs, U.S. Consumer Product Safety Commission, Washington, D.C., 20207 or call the toll-free hotline: 1-800-638-2772

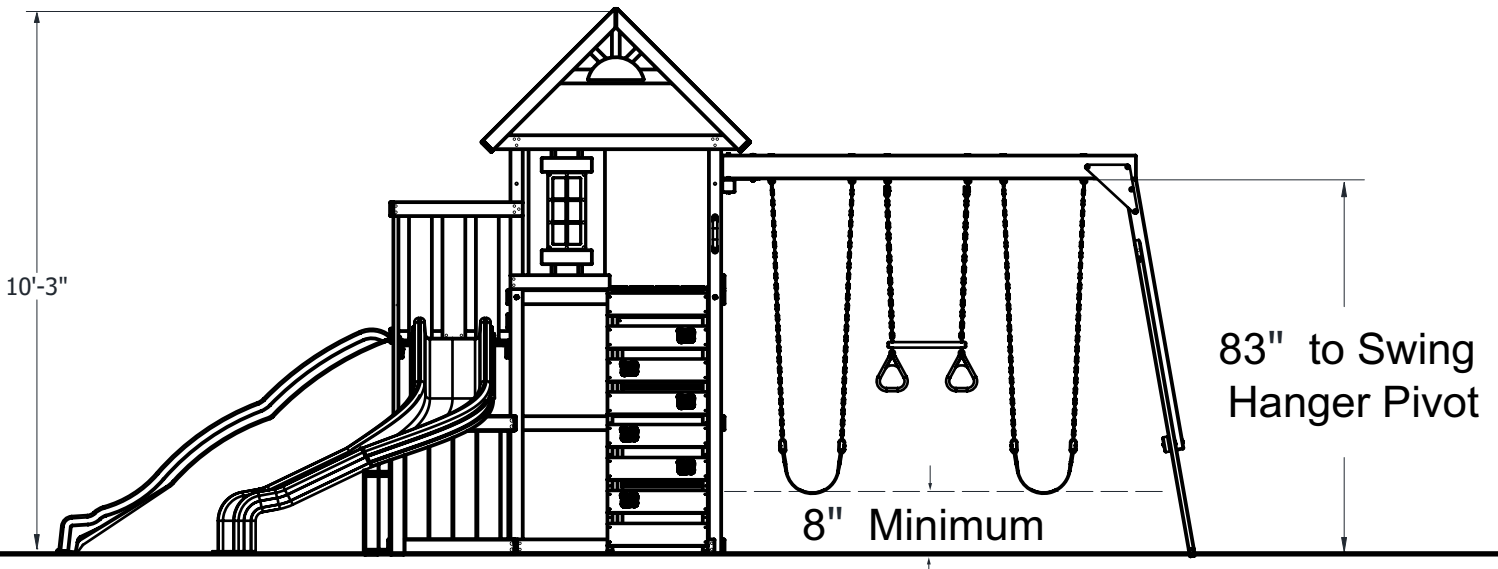
# PLAYSET SAFETY ZONE



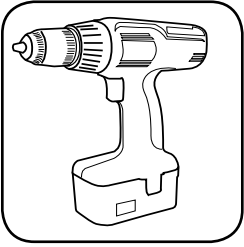
MINIMUM USE ZONE FOR PLAY EQUIPMENT SHALL EXTEND NO LESS THAN 72" FROM ALL SIDES OF THE PLAY STRUCTURE.

SWING USE ZONE EXTENDS NO LESS THAN 168".

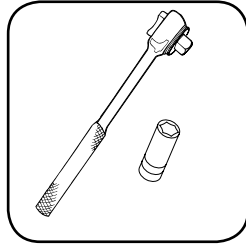
SWINGS MUST HAVE A MINIMUM CLEARANCE OF 8" ABOVE THE PROTECTIVE SURFACING.



## TOOLS REQUIRED



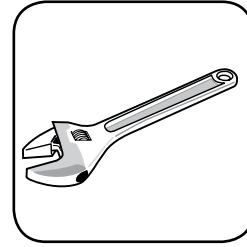
DRILL



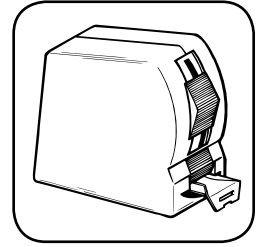
1/2" & 7/16" SOCKETS &  
WRENCH



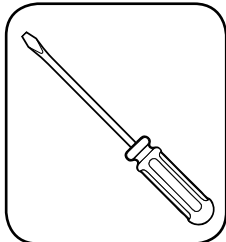
HAMMER



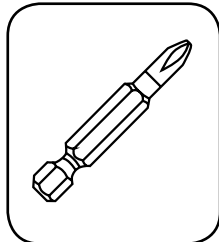
ADJUSTABLE  
WRENCH



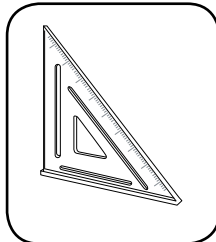
TAPE MEASURE



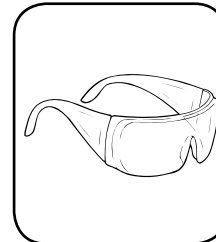
SCREWDRIVER



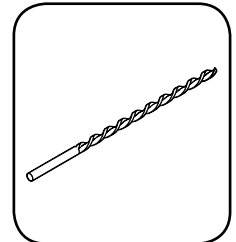
PHILLIPS BIT



CARPENTER  
SQUARE



SAFETY GLASSES



1/8" DRILL BIT

## HELPFUL ASSEMBLY INFORMATION

Your playset consists of several boxes or modules. It is important to ensure all lumber, accessories and hardware is accounted for. The following pages list the contents of each box. Use these pages to take an inventory of all parts.

REMEMBER- If you are missing anything, please **DO NOT RETURN** to the store where purchased. Contact our Customer Service Department at 1-800-888-1232 or email us at:  
[service@swing-n-slide.com](mailto:service@swing-n-slide.com)

For ease in inventorying your wooden playset parts all have been marked with a part number. Look for the part number typically located on the end of the part.

## !! HELPFUL ASSEMBLY HINT !!

Keep parts from each box in its own area after taking your inventory. This will make it much easier to locate parts required for assembling each module on your playset.

Look for the helpful reminder indicating the box containing the parts used as you begin each module.

# TOWER MODULE SA 6081 /SA6022

## BOARD LIST

- (4) [PF 6164] 3" x 3" x 94"
- (1) [PF 6020] 3" x 3" x 47-1/2" SWING BEAM SUPPORT
- (1) [PF 6019] 2-11/16" x 5-3/8" x 93" SWING BEAM
- (1) [PF 6018] 2-11/16" x 3" x 62" A-FRAME SUPPORT
- (2) [PF 6017] 1-3/8" x 3-3/8" x 83" A-FRAME LEGS
- (2) [PF 6015] 1-3/8" x 3-3/8" x 60" ROCKWALL SUPPORT
- (1) [PF 6016] 1-3/8" x 3-3/8" x 58" A-FRAME SUPPORT
- (1) [PF 6053] 1-3/8" x 3-3/8" x 43-1/2"
- (1) [PF 6009] 1-3/8" x 3-3/8" x 17-1/4" SLIDE STAKE
- (2) [PF 6149] 1-3/8" x 3-3/8" x 15-1/2" DECK SUPPORT
- (2) [PF 6010] 1" x 3-3/8" x 47-1/2"
- (1) [PF 6011] 1" x 3-3/8" x 47-1/2"
- (4) [PF 6062] 1" x 3-3/8" x 42-1/2" ROOF A-FRAME

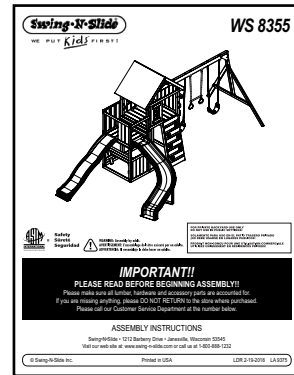
- (2) [PF 6063] 3/4" x 3-3/8" x 59-5/8" A-FRAME BASE
- (3) [PF 6006] 3/4" x 3-3/8" x 44-1/2"
- (2) [PF 6050] 3/4" x 3-3/8" x 43-1/2"
- (2) [PF 6004] 3/4" x 3-3/8" x 42"
- (5) [PF 6005] 3/4" x 3-3/8" x 42"
- (2) [PF 6003] 3/4" x 3-3/8" x 35-7/8"
- (2) [PF 6002] 3/4" x 3-3/8" x 22-1/2"
- (2) [PF 6058] 5/8" x 3-3/8" x 30"
- (4) [PF 6172] 5/8" x 3-3/8" x 11-1/2"
- (2) [PF 6180] 5/8" x 3-3/8" x 10-1/2"
- (2) [PF 6056] 5/8" x 2" x 10"
- (4) [PF 6059] 5/8" x 2" x 7"
- (1) [PF 6007] 3/4" x 3-3/8" x 47-1/2"

### LOOSE PARTS

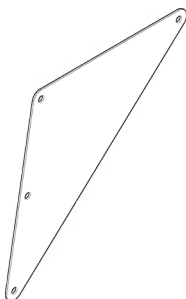
- (1) [PF 6452] 1-3/8" x 3-3/8" x 22"
- (1) [PF 5999] 1-3/8" x 3-3/8" x 17-1/4" SLIDE STAKE

- (7) [PF 6008] 3/4" x 5-3/8" x 42"
- (2) [PF 6013] 5/8" x 5-3/8" x 22-3/4" ROCKWALL BOARD
- (10) [PF 6000] 5/8" x 5-3/8" x 33-3/4"
- (2) [PF 6060] 5/8" x 5-3/8" x 13" SUN
- (4) [PF 6001] 5/8" x 5-3/8" x 9-1/4"
- (6) [PF 6389] 5/8" x 5-3/8" x 22-3/4" ROCKWALL BOARD

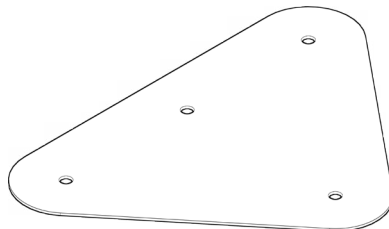
## TOWER COMPONENTS



Plan (x1)



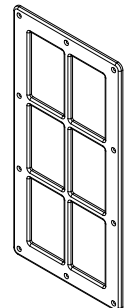
Swing Beam Bracket (x2)



Beam Brace (x1)



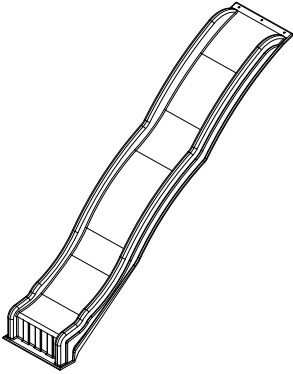
ID Tag (x1)



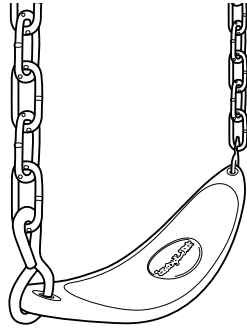
Window Pane (x2)

# TOWER MODULE SA 6081 /SA6022

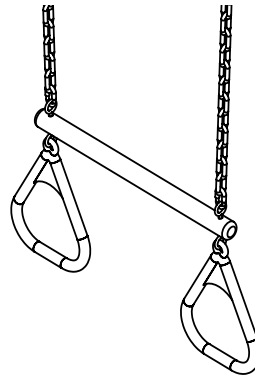
## COMPONENTS CONT.



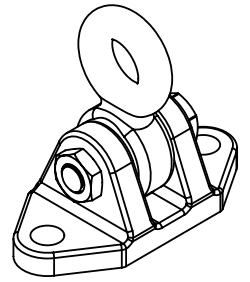
Coolwave Slide (x1)



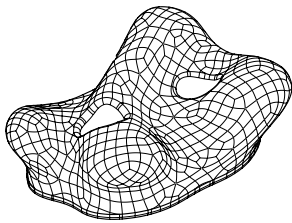
HD Swing Seat (x2)



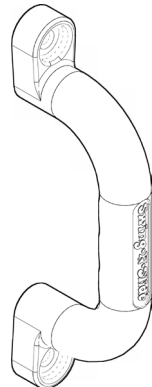
HD Ring-Trap (x1)



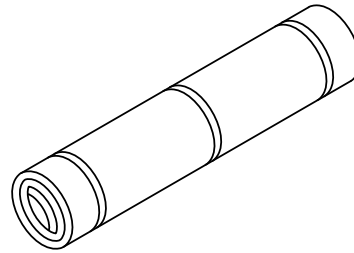
HD Swing Hanger (x6)



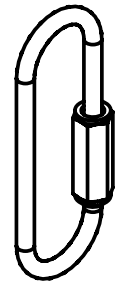
Climbing Rock (x6)



Safety Handle (x2)



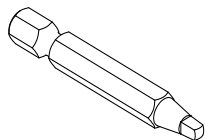
Tarp (x1)



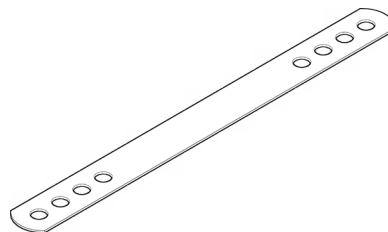
Quick Link (x6)



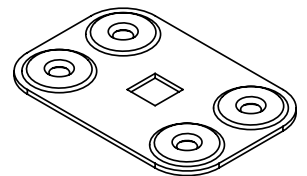
Anchor It (x4)



Square Bit (x1)



Anchor It Strap (x4)

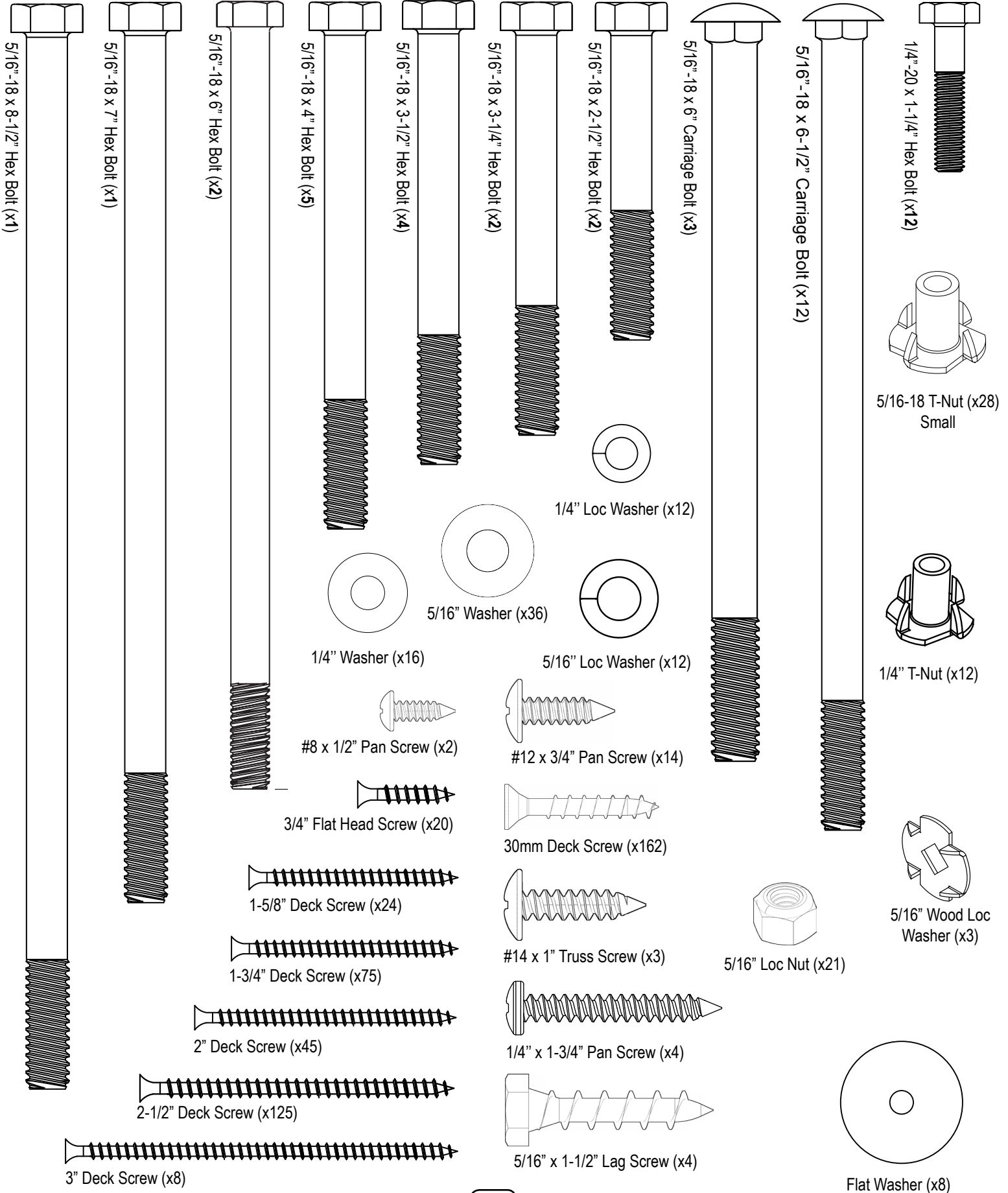


5/16" Clamp Beam (x12)








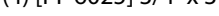



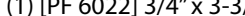

# TOWER MODULE SA 6081 /SA6022

## HARDWARE

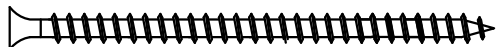


# TERRACE MODULE SA 6031

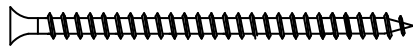
## BOARD LIST

-   
(1) [PF 6061] 1-1/2" x 1-1/2" x 40"
-   
(2) [PF 6028] 1-3/8" x 3" x 79"
-   
(2) [PF 6026] 1" x 3-3/8" x 42"
-   
(3) [PF 6005] 3/4" x 3-3/8" x 42"
-   
(4) [PF 6025] 3/4" x 3-3/8" x 29-1/4"
-   
(3) [PF 6024] 3/4" x 3-3/8" x 27-3/4"
-   
(2) [PF 6150] 3/4" x 3-3/8" x 24-3/4"
-   
(1) [PF 6023] 3/4" x 3-3/8" x 22-1/2"
-   
(1) [PF 6022] 3/4" x 3-3/8" x 19-1/2"
-   
(10) [PF 6021] 5/8" x 5-3/8" x 30-3/4"
-   
(6) [PF 6135] 3/4" x 5-3/8" x 26-1/4"

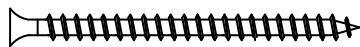
## TERRACE HARDWARE



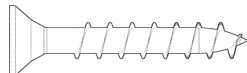
2-1/2" Deck Screw (x55)



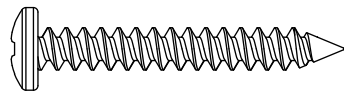
2" Deck Screw (x25)



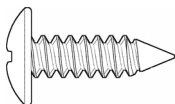
1-3/4" Deck Screw (x50)



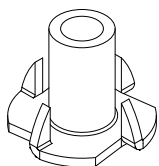
30mm Deck Screw (x45)



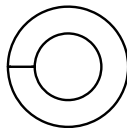
1/4" x 1-3/4" Pan Screw (x4)



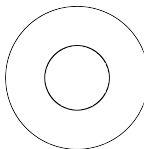
#12 x 3/4" Pan Screw (x9)



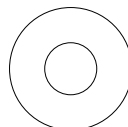
5/16-18 T-Nut (x4)  
Small



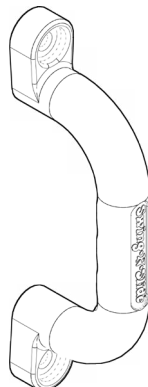
5/16" Loc Washer (x4)



5/16" Washer (x4)



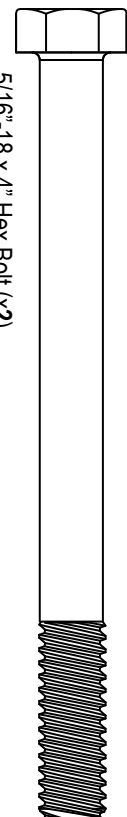
1/4" Washer (x4)



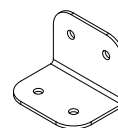
Play Handle (x2)



5/16"-18 x 2" Hex Bolt (x2)

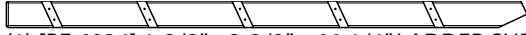


5/16"-18 x 4" Hex Bolt (x2)

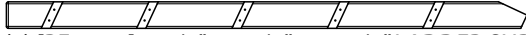


Panel Bracket (x2)

# LADDER MODULE SA6005 BOARD LIST



(1) [PF 6034] 1-3/8" x 3-3/8" x 66-1/4" LADDER SUPPORT-L



(1) [PF 6035] 1-3/8" x 3-3/8" x 66-1/4" LADDER SUPPORT-R



(1) [PF 6029] 5/8" x 3-3/8" x 20-1/2"

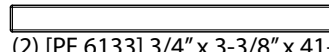


(5) [PF 6032] 1" x 3-3/8" x 18-1/2"

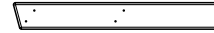
# PICNIC TABLE MODULE SA6018 BOARD LIST



(1) [PF 6040] 1" x 5-3/8" x 41-1/2" BENCH



(2) [PF 6133] 3/4" x 3-3/8" x 41-1/2" TABLE



(2) [PF 6038] 3/4" x 3-3/8" x 26-7/8" PICNIC TABLE LEG

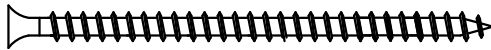


(2) [PF 6037] 3/4" x 3-3/8" x 15-3/4" BENCH SUPPORT

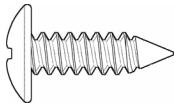


(2) [PF 6039] 3/4" x 3-3/8" x 9-3/4" TABLE SUPPORT

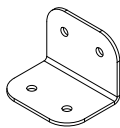
## LADDER HARDWARE



2-1/2" Deck Screw (x30)

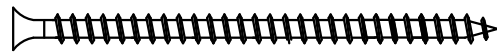


#12 x 3/4" Pan Screw (x4)

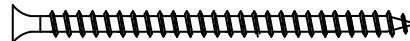


Panel Bracket (x1)

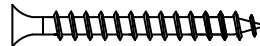
## TABLE HARDWARE



2-1/2" Deck Screw (x10)



2" Deck Screw (x14)



1-1/4" Deck Screw (x10)

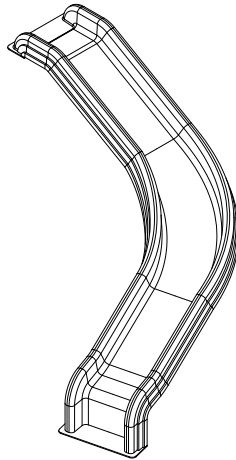
# SIDEWINDER BOARD LIST



(2) [PF 6014] 1-1/2" x 3-1/2" x 36"

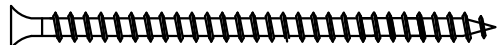


(2) [PF 6012] 1-1/2" x 3-1/2" x 15"

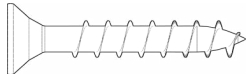


Sidewinder Slide (x1)

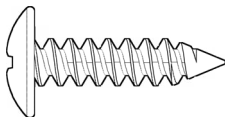
## SIDEWINDER SLIDE HARDWARE



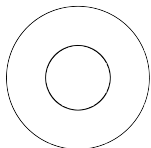
2-1/2" Deck Screw (x10)



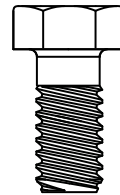
30mm Deck Screw (x2)



#14 x 1" Truss Screw (x6)



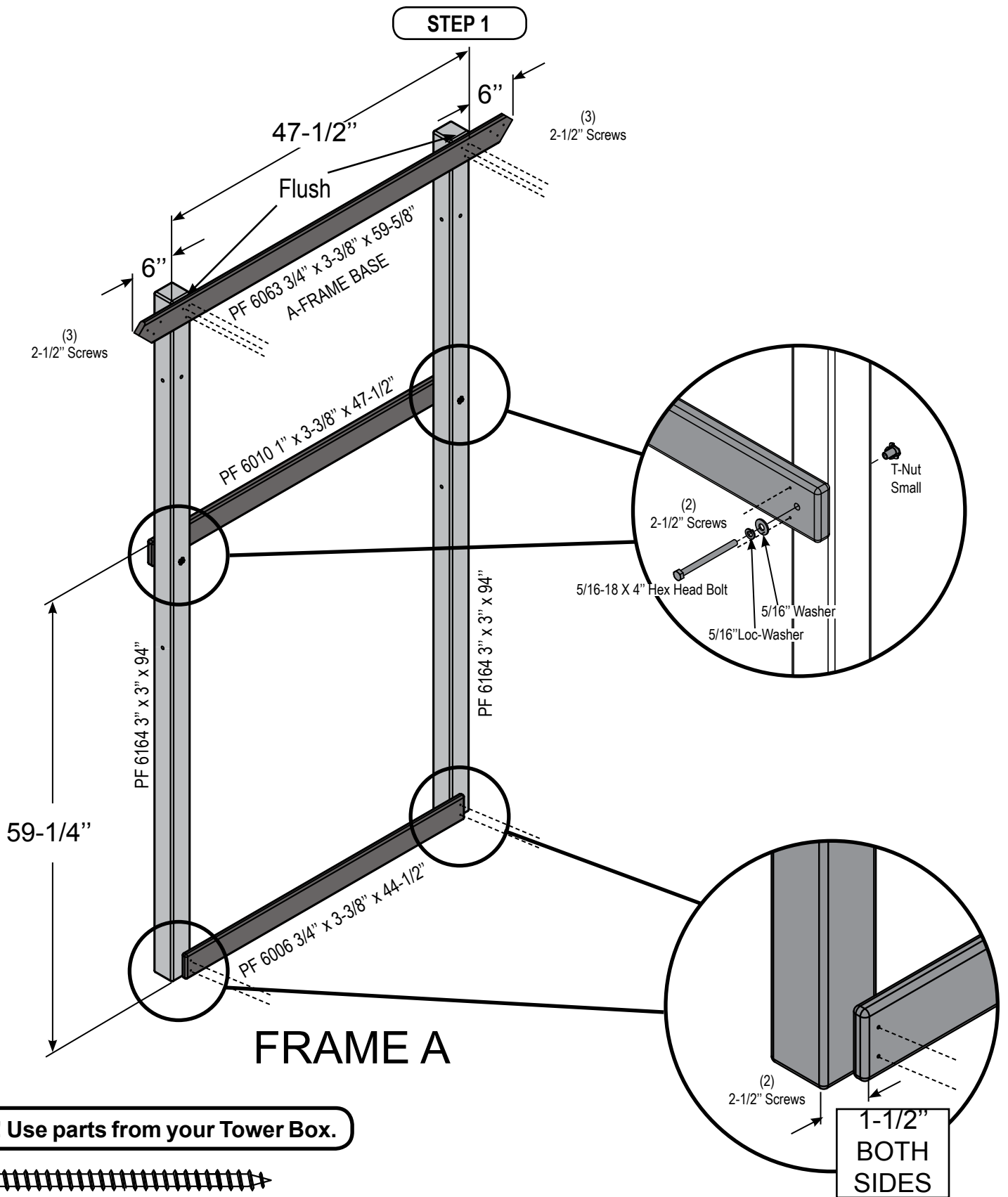
5/16" Washer (x18)



5/16"-18 x 3/4" Hex Bolt (x9)



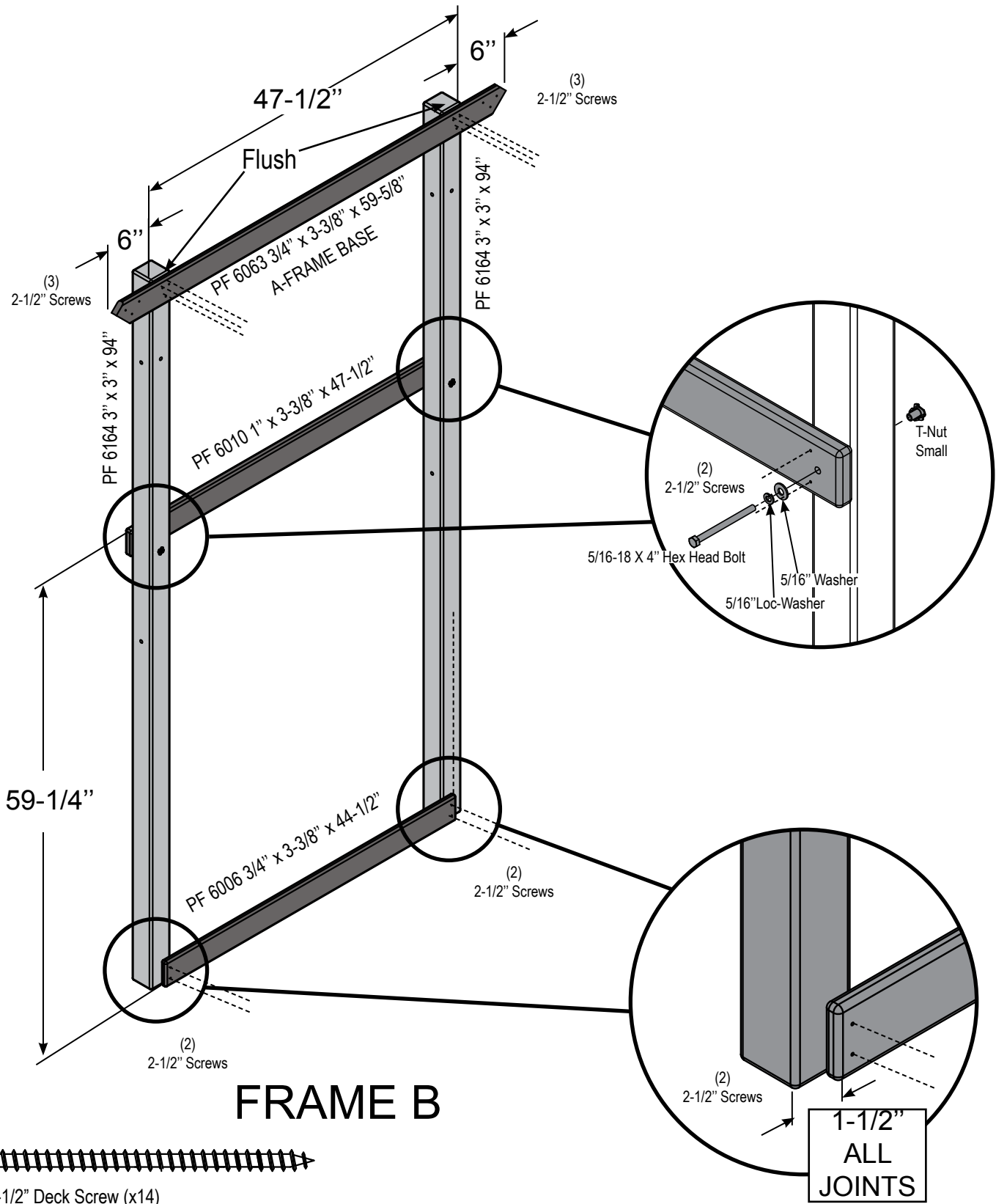
5/16" Loc Nut (x9)



1. Assemble Frame A as shown above.

**Note:** Tap each T-Nut into its pre-drilled hole until the metal tangs sink fully into the wood.

STEP 2

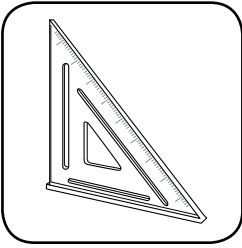


1. Assemble Frame B as shown above.

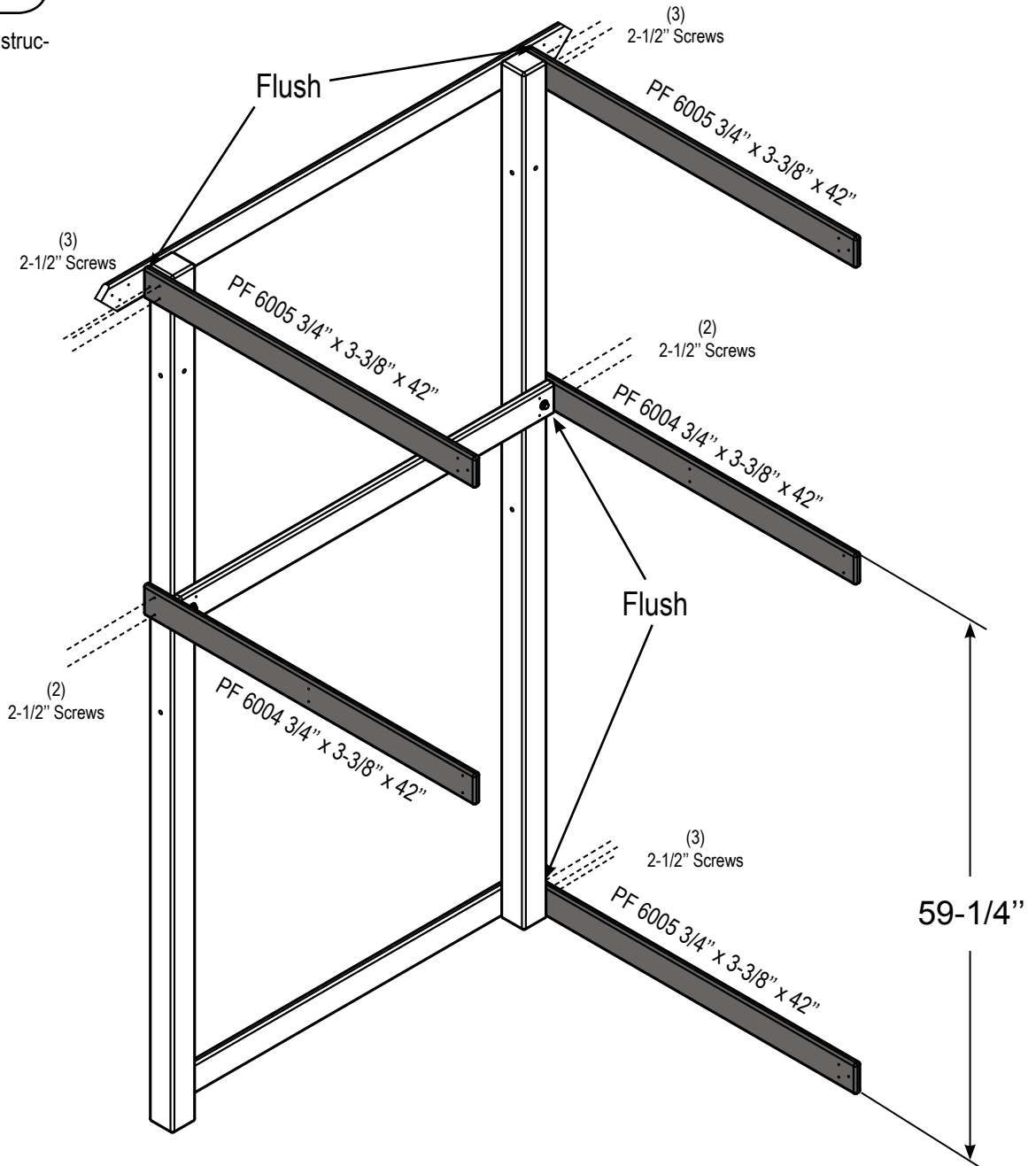
**Note:** Tap each T-Nut into its pre-drilled hole until the metal tangs sink fully into the wood.



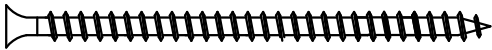
STEP 3



Check to make sure structure is square



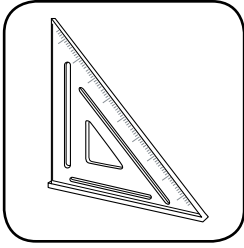
# FRAME A



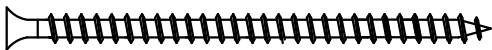
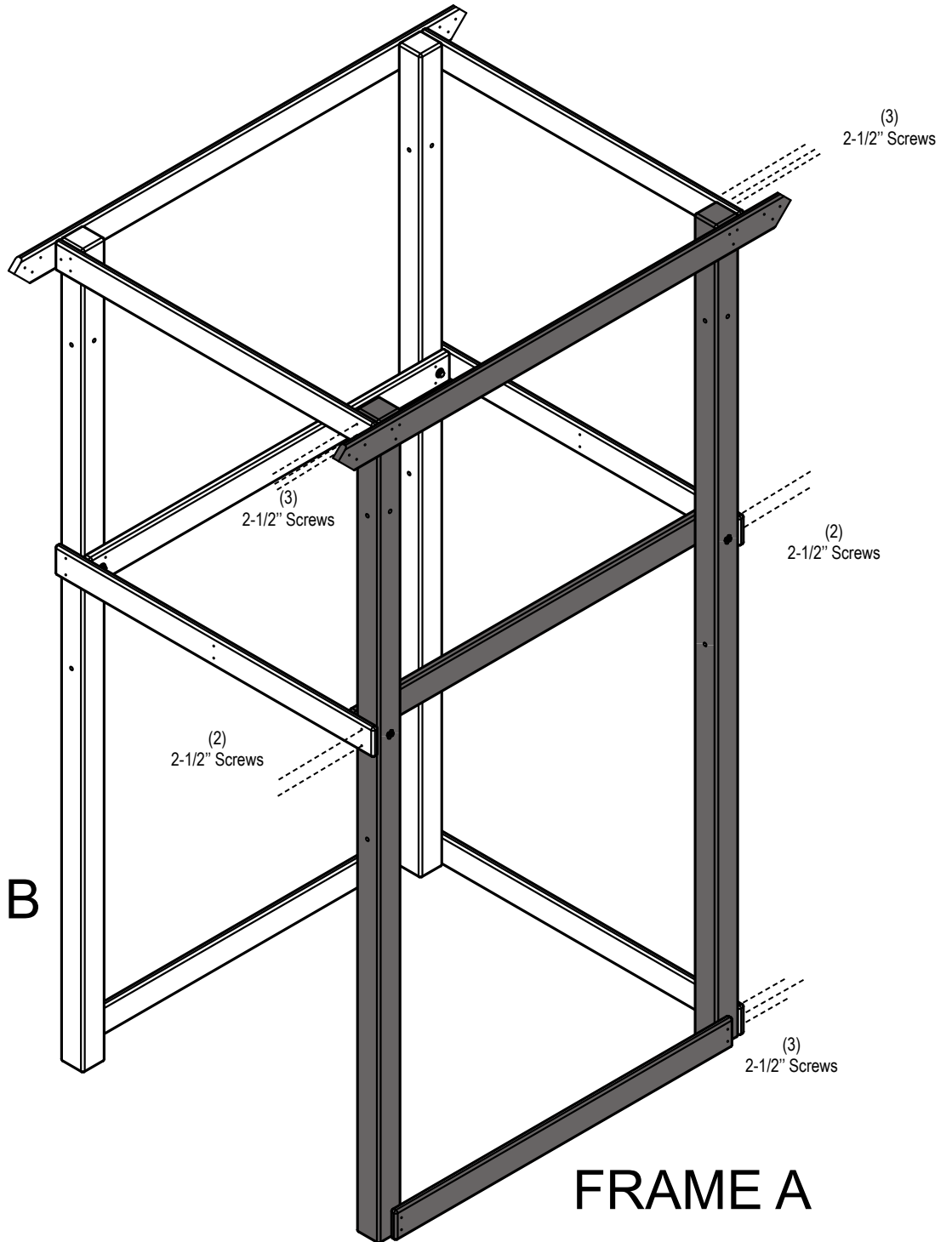
2-1/2" Deck Screw (x13)

1. Attach support boards to Frame A as shown.

STEP 4



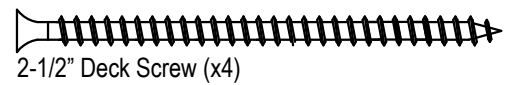
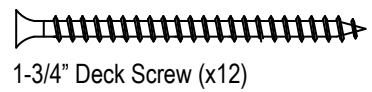
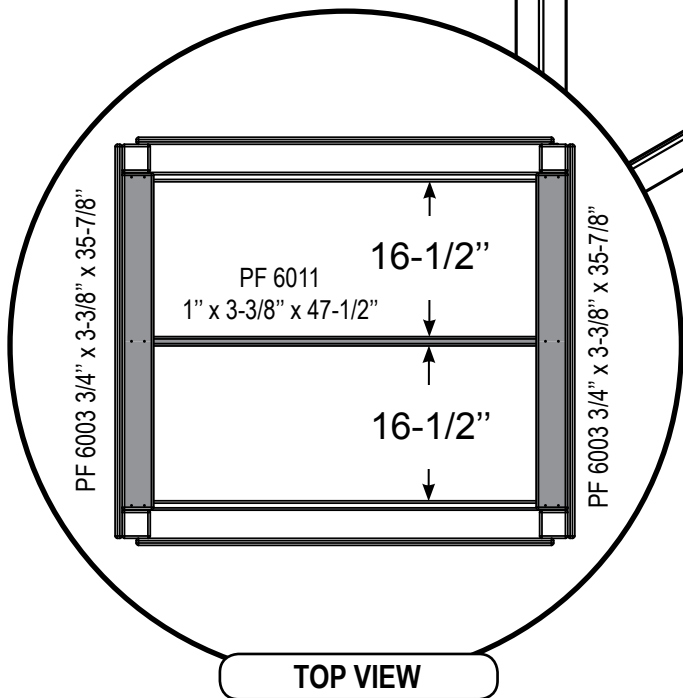
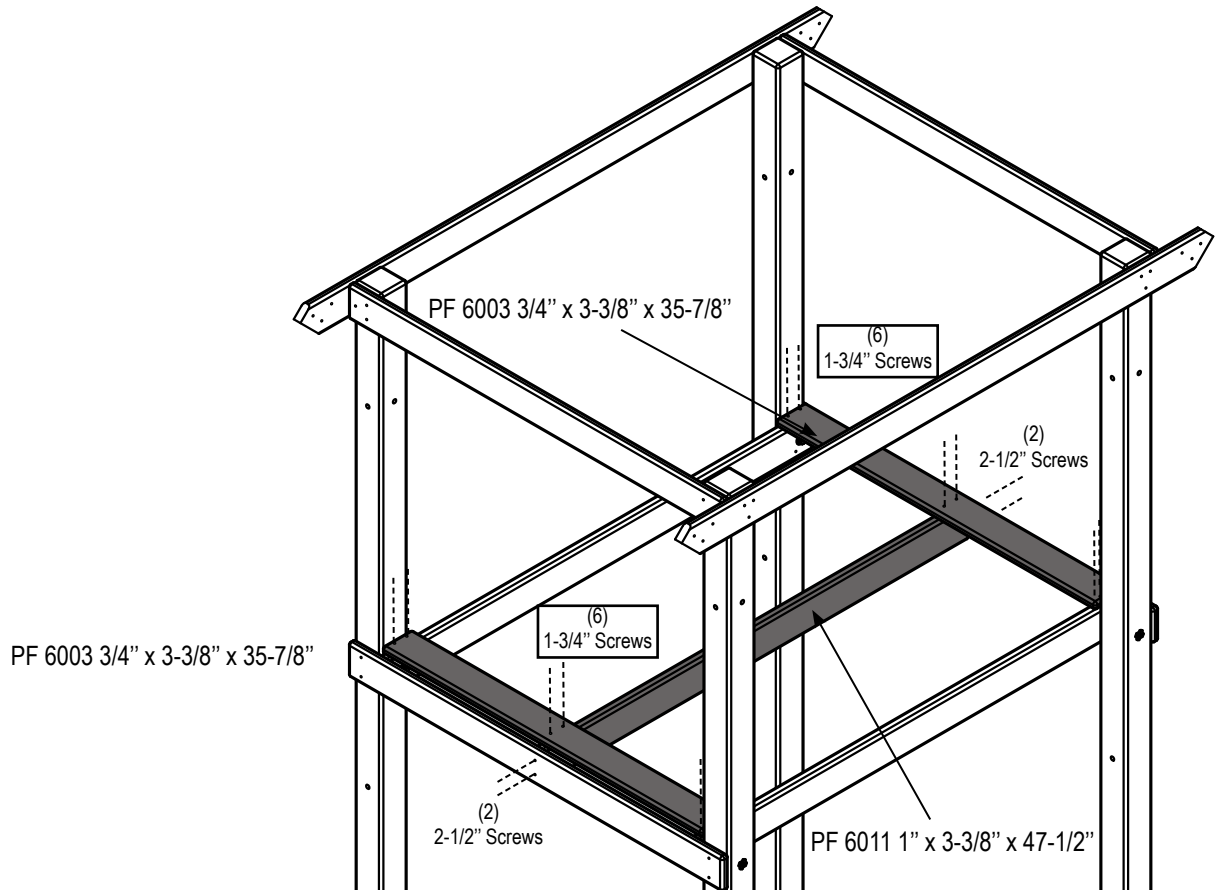
Check to make sure structure is square



2-1/2" Deck Screw (x13)

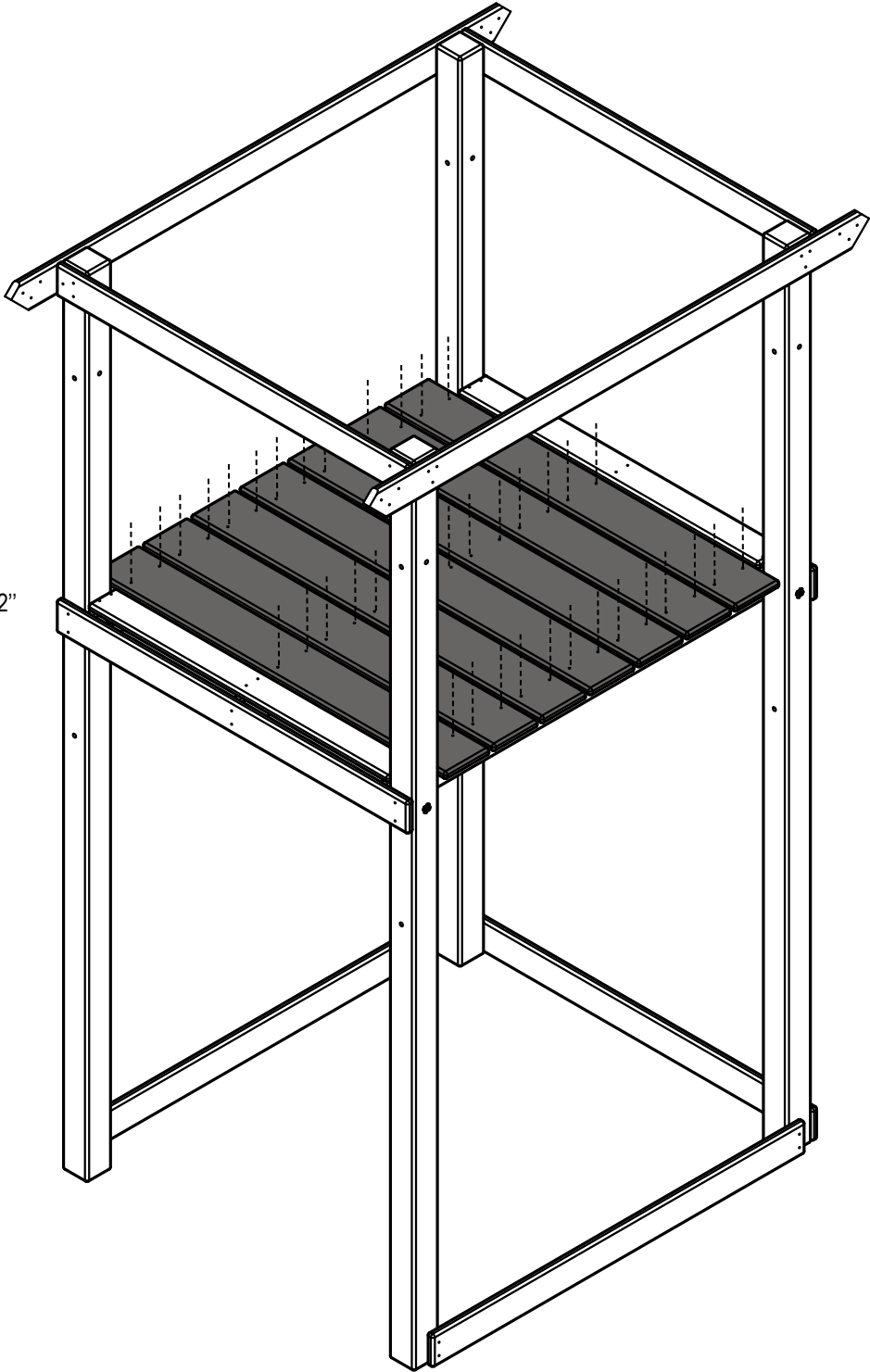
1. Attach Frame A to Frame B as shown.

STEP 5

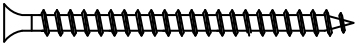


1. Install Deck Boards as shown.

STEP 6



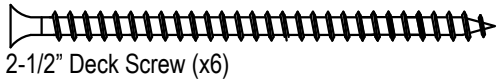
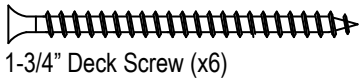
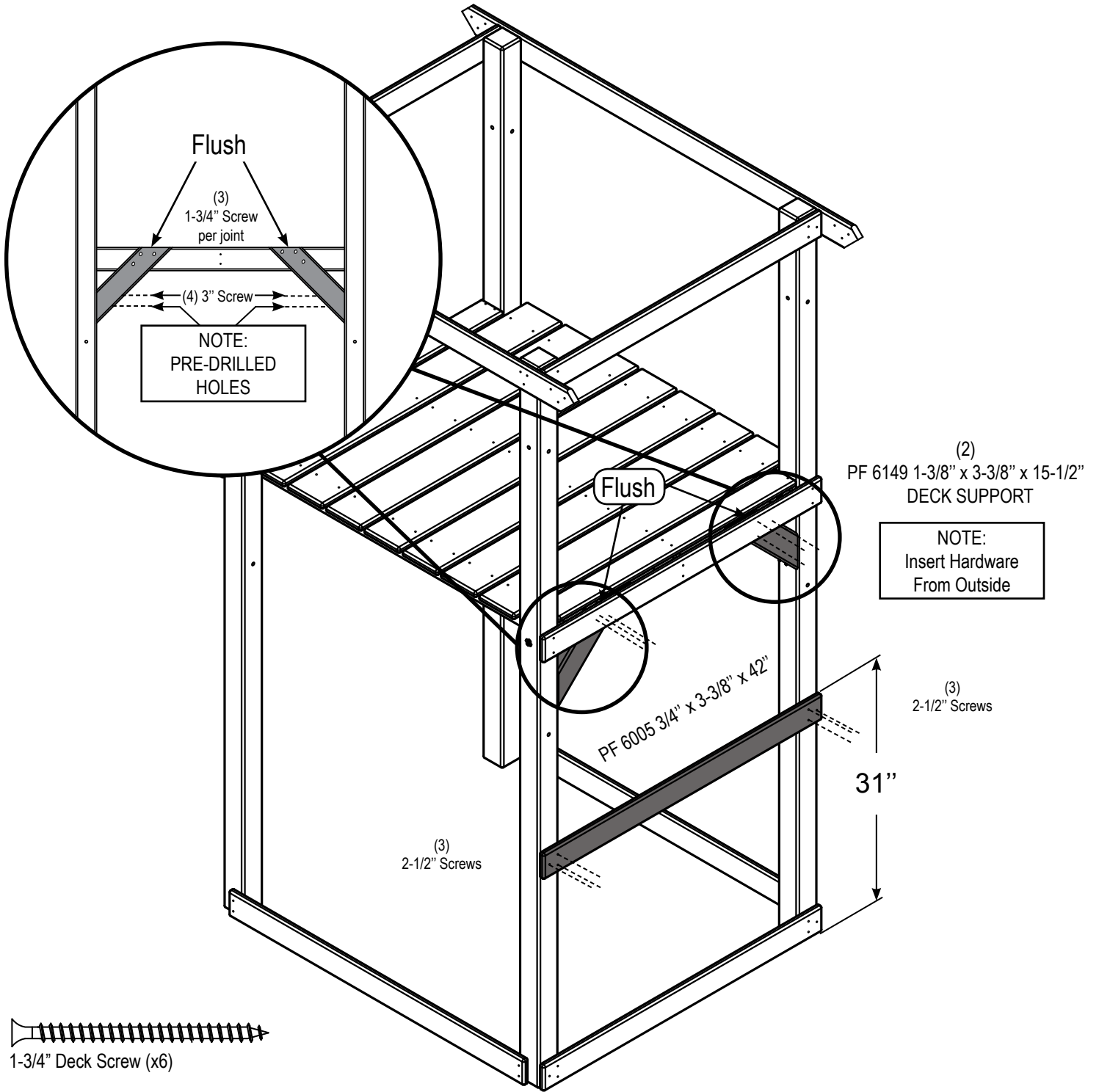
(7)  
PF 6008 3/4" x 5-3/8" x 42"  
(6)  
1-3/4" Screws  
per board



1-3/4" Deck Screw (x42)

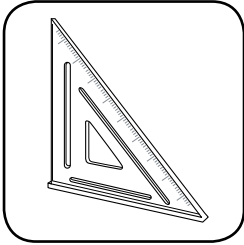
- 1. Install Deck Boards as shown.  
NOTE: Standard gap between deck boards is 3/8".

STEP 7

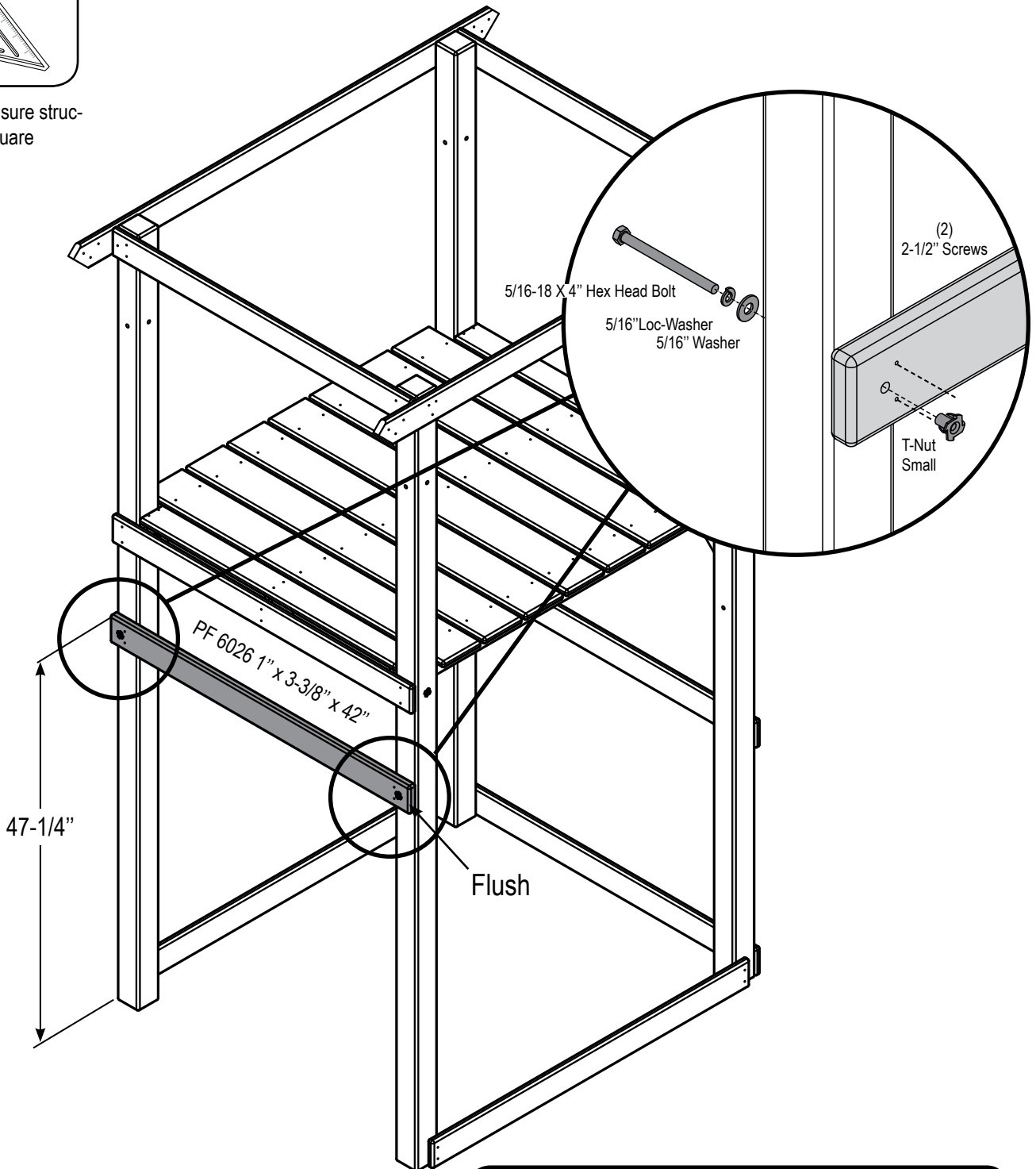


1. Install Deck Supports as shown.

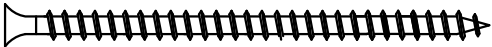
**STEP 8**



Check to make sure structure is square



**Hint!! Use parts from your Terrace Box.**

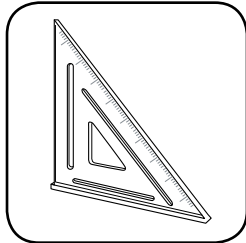


2-1/2" Deck Screw (x4)

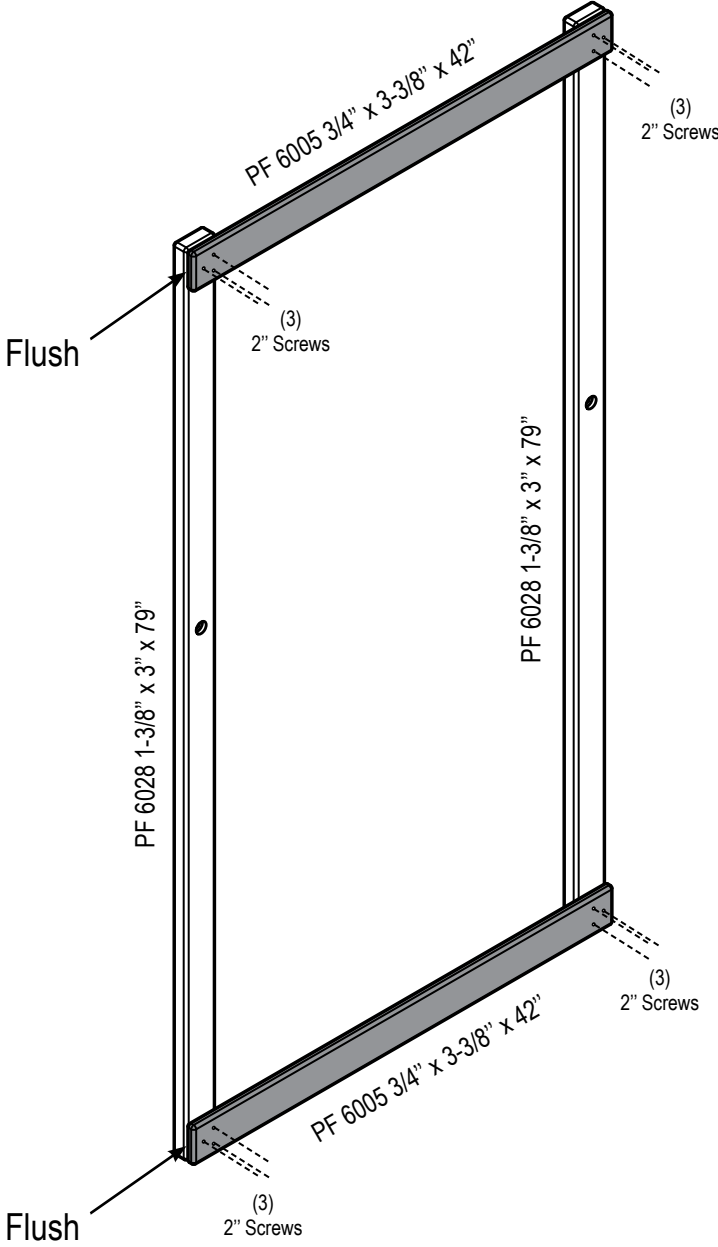
- 1. Install Deck Support Board as shown.



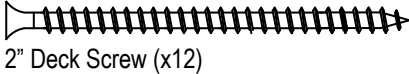
STEP 9



Check to make sure structure is square

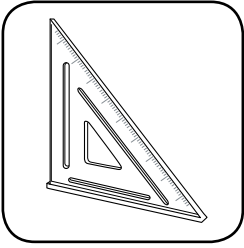


FRAME C

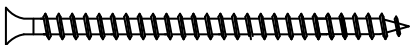
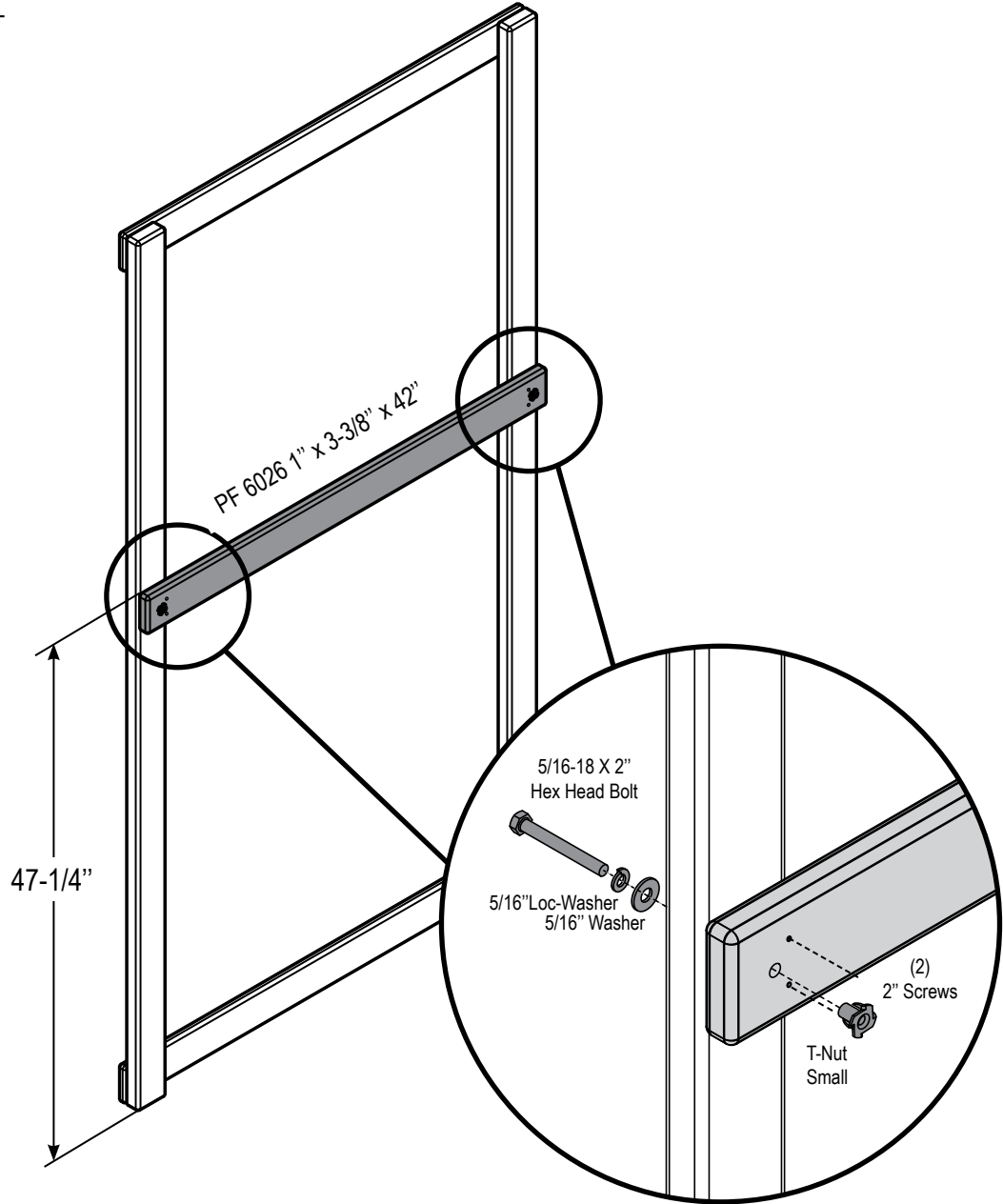


1. Assemble Frame C as shown.

STEP 10

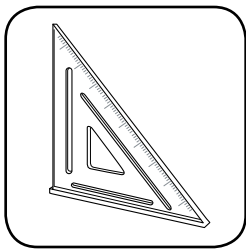


Check to make sure structure is square



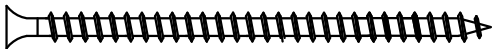
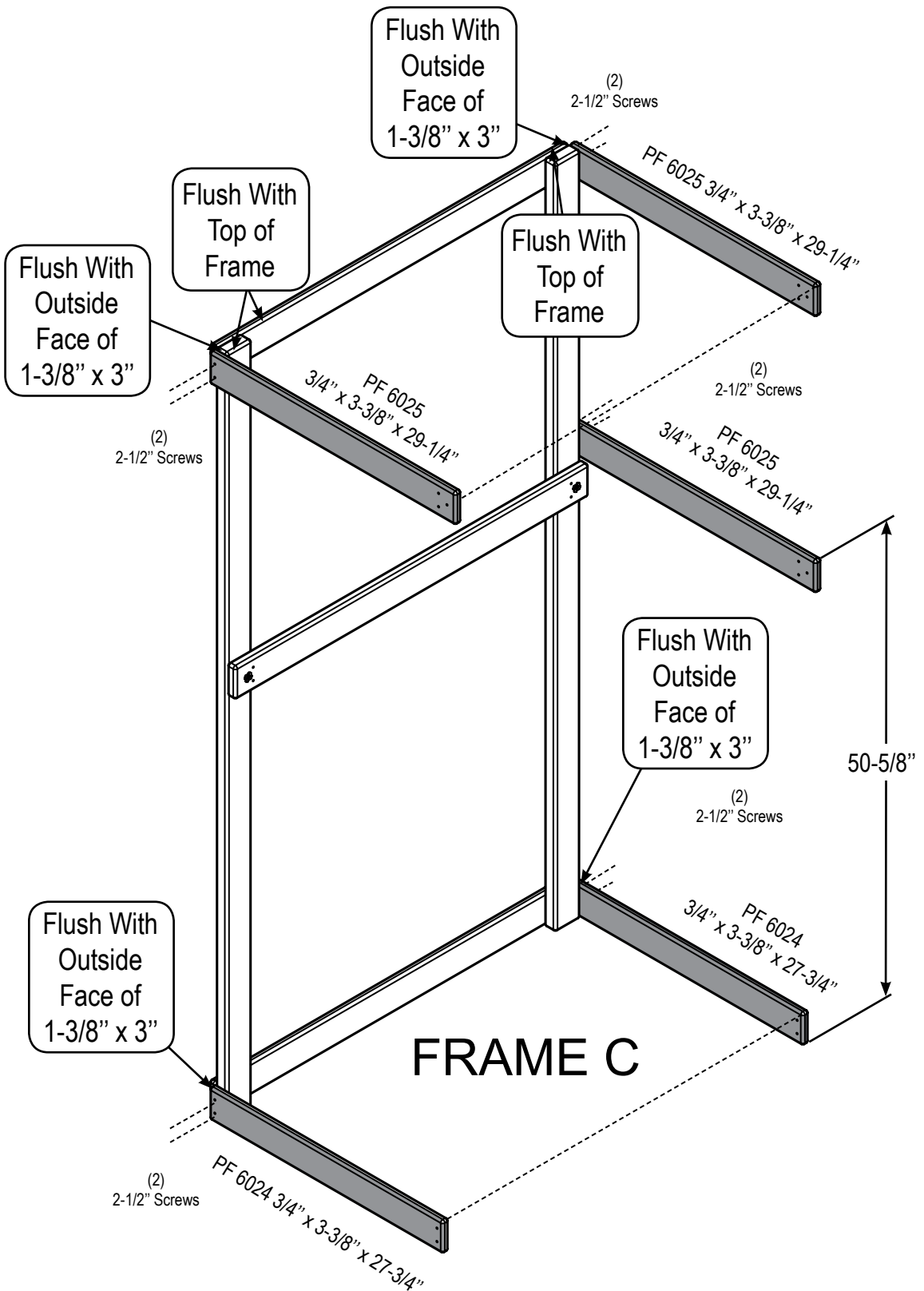
2" Deck Screw (x4)

1. Install Deck Support Board as shown.



Check to make sure structure is square

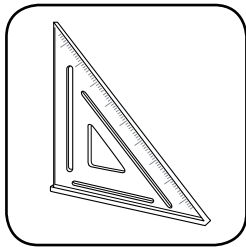
**STEP 11**



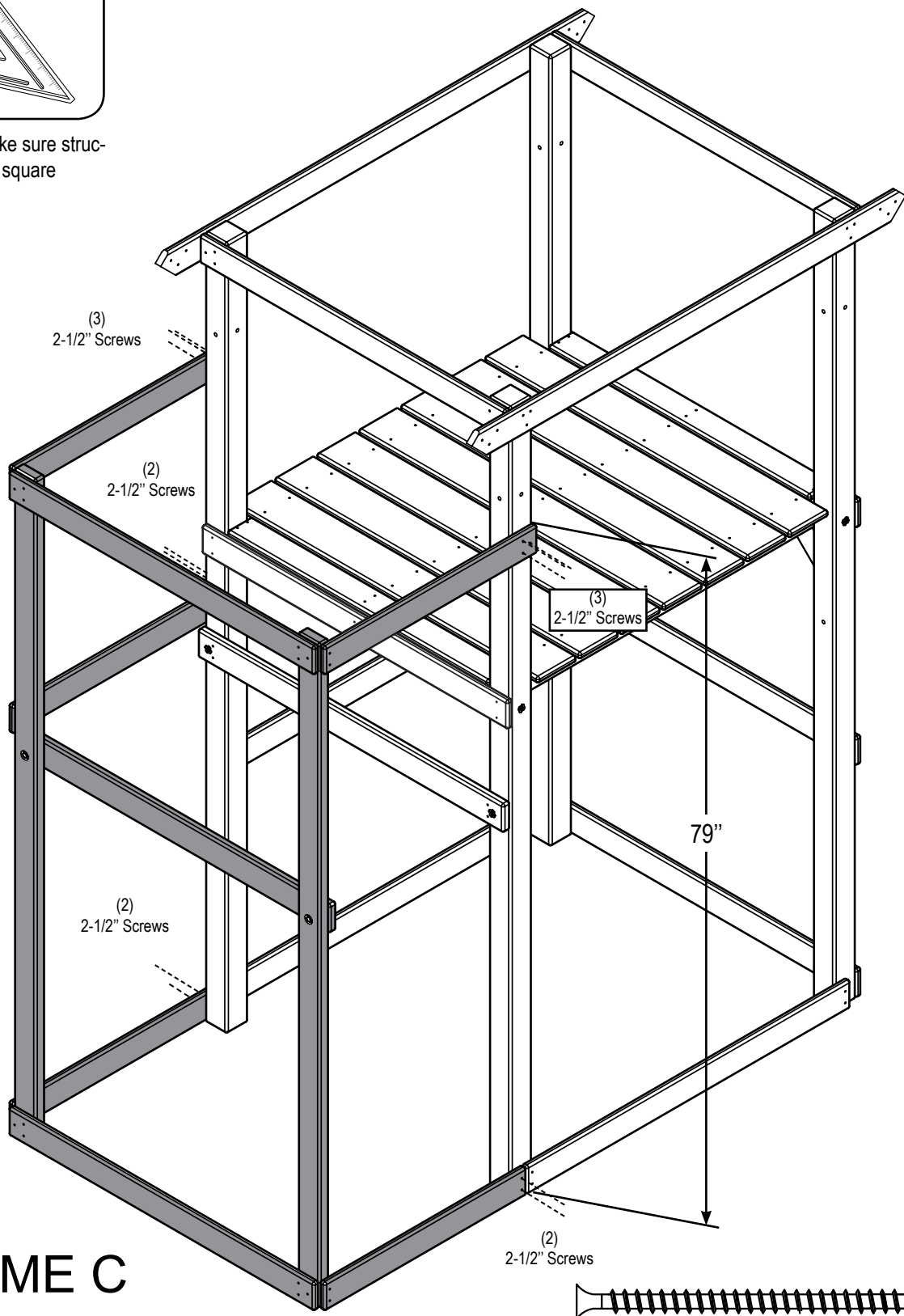
2-1/2" Deck Screw (x10)

1. Install Frame Support Boards as shown.

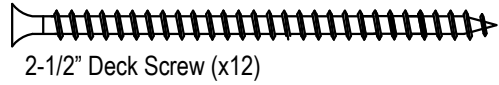
STEP 12



Check to make sure structure is square



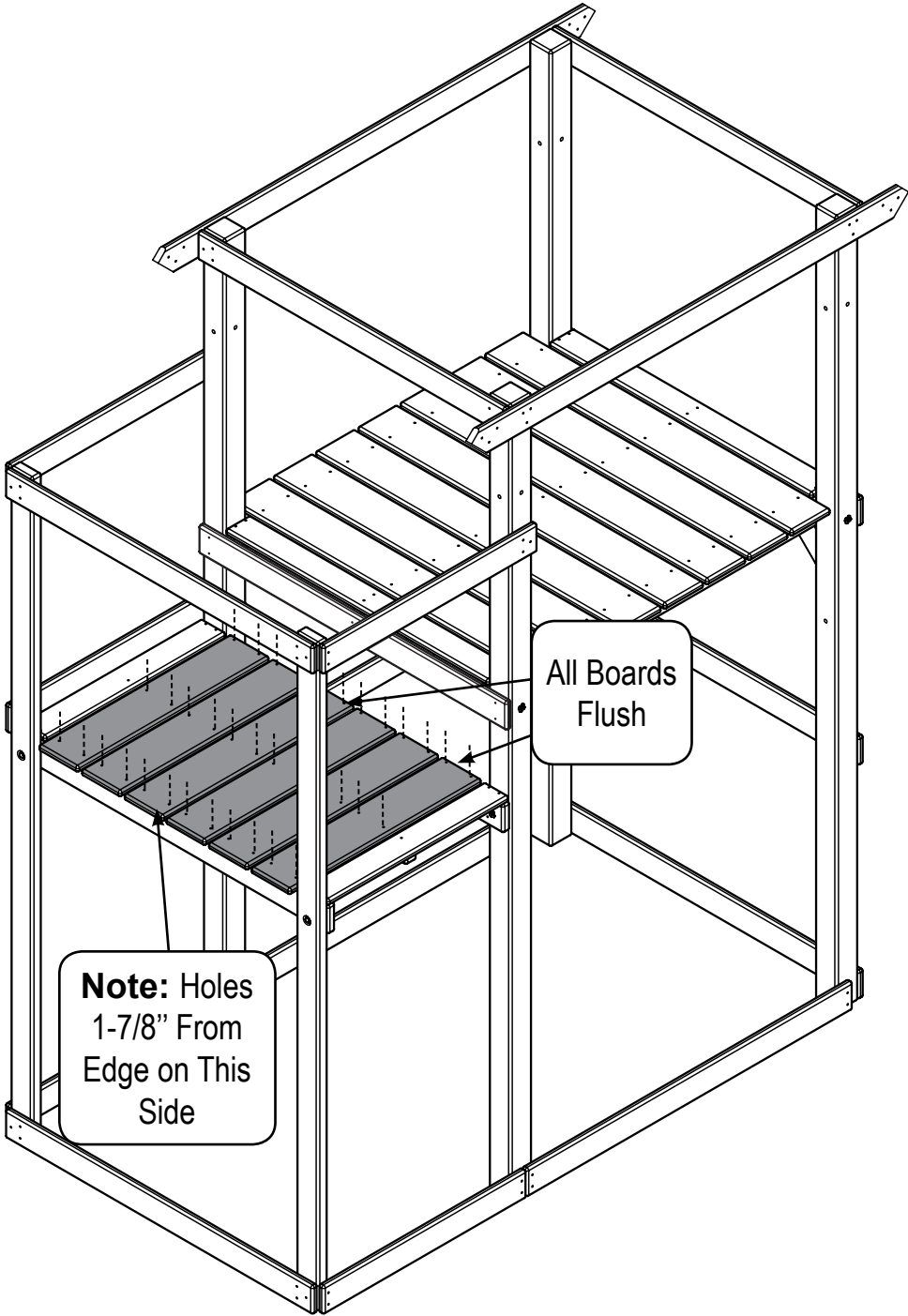
FRAME C



1. Attach Frame C to Tower as shown.



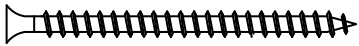
STEP 14



(6)  
PF 6 135 3/4" x 5-3/8" x 26-1/4"  
(6)  
1-3/4" Screws  
per board

All Boards  
Flush

**Note:** Holes  
1-7/8" From  
Edge on This  
Side

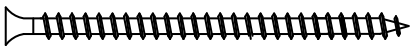
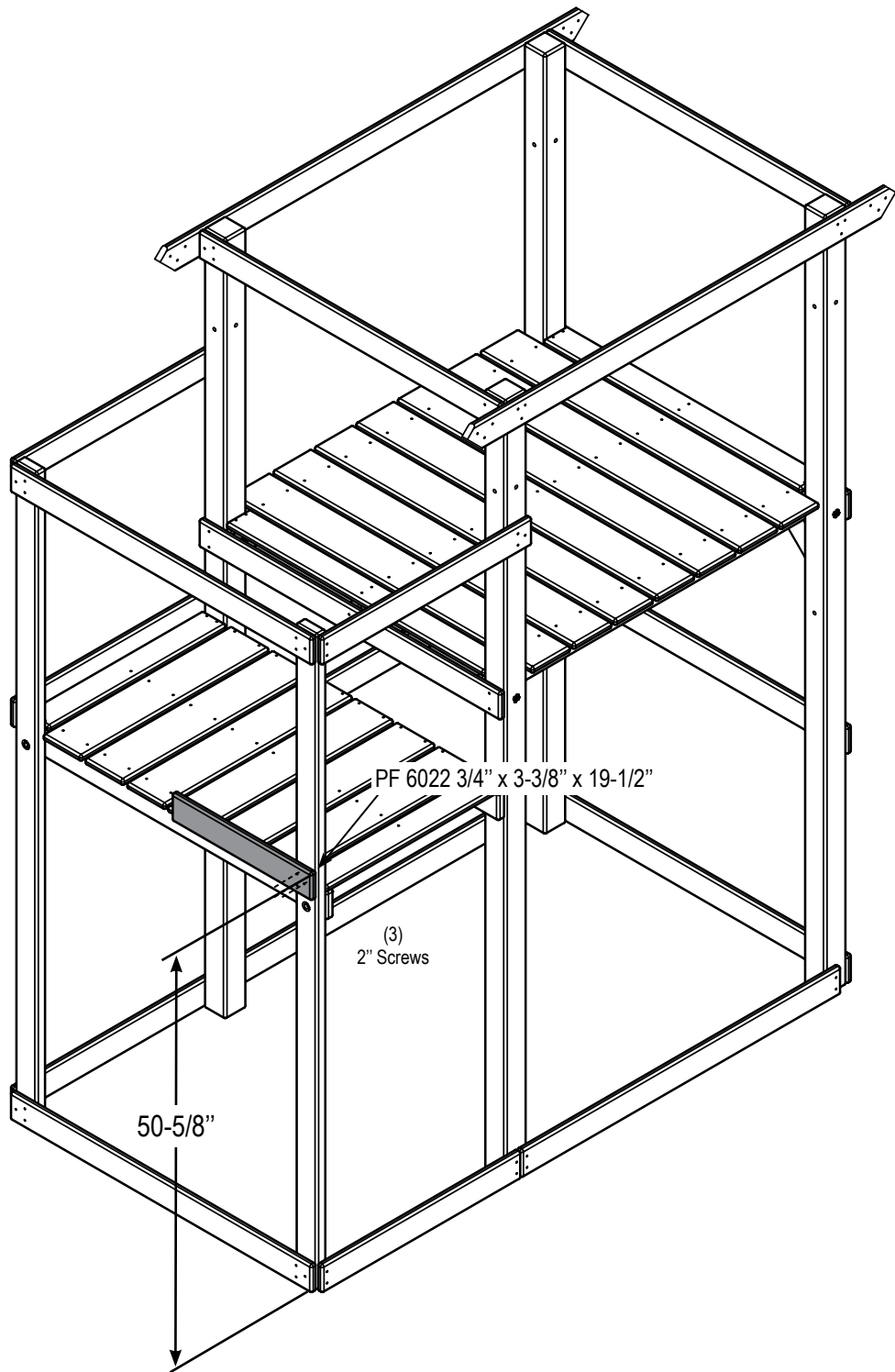


1-3/4" Deck Screw (x36)

1. Install Deck Boards as shown.  
NOTE: Standard gap between deck boards is 7/16".



STEP 15

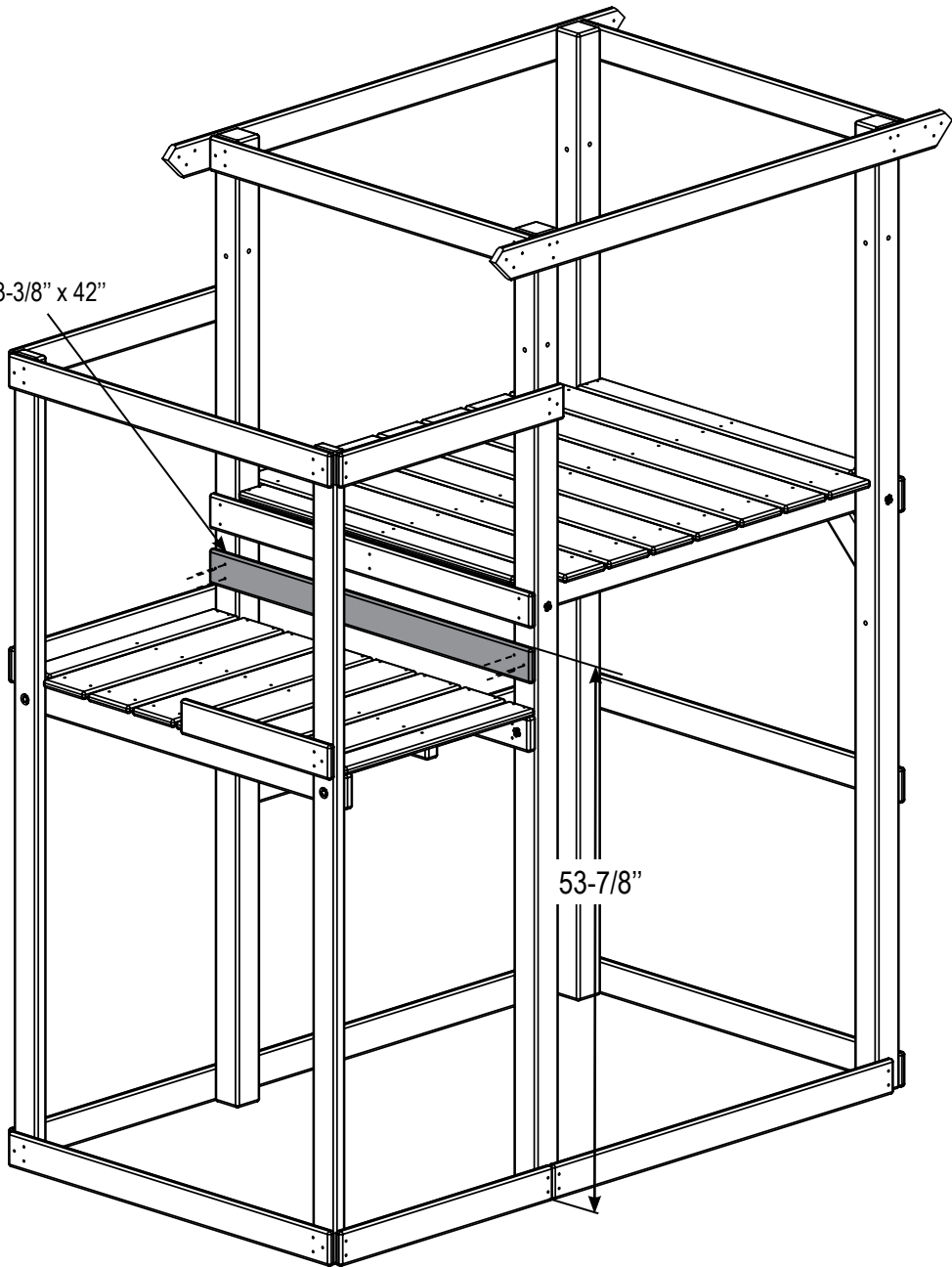


2" Deck Screw (x3)

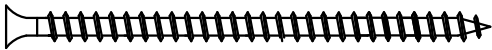
1. Install Barrier Support Boards as shown.

STEP 16

PF 6005 3/4" x 3-3/8" x 42"  
(6)  
2-1/2" Screws



53-7/8"



2-1/2" Deck Screw (x6)

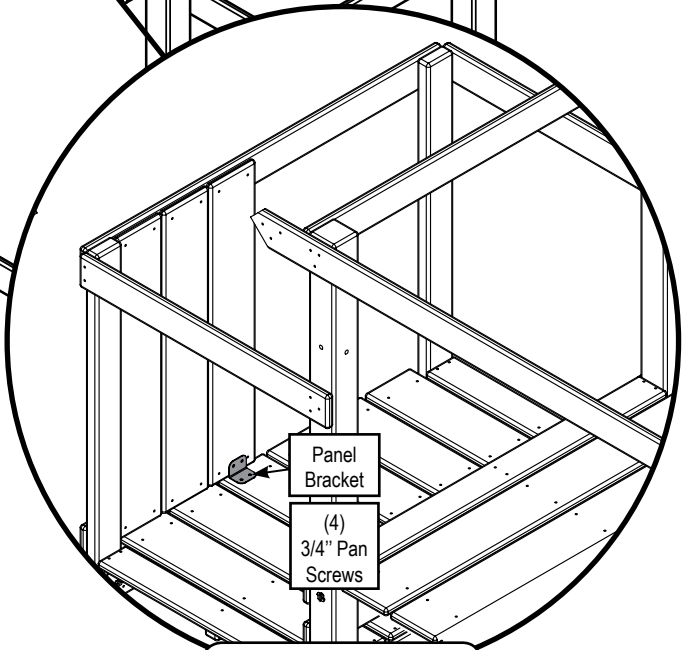
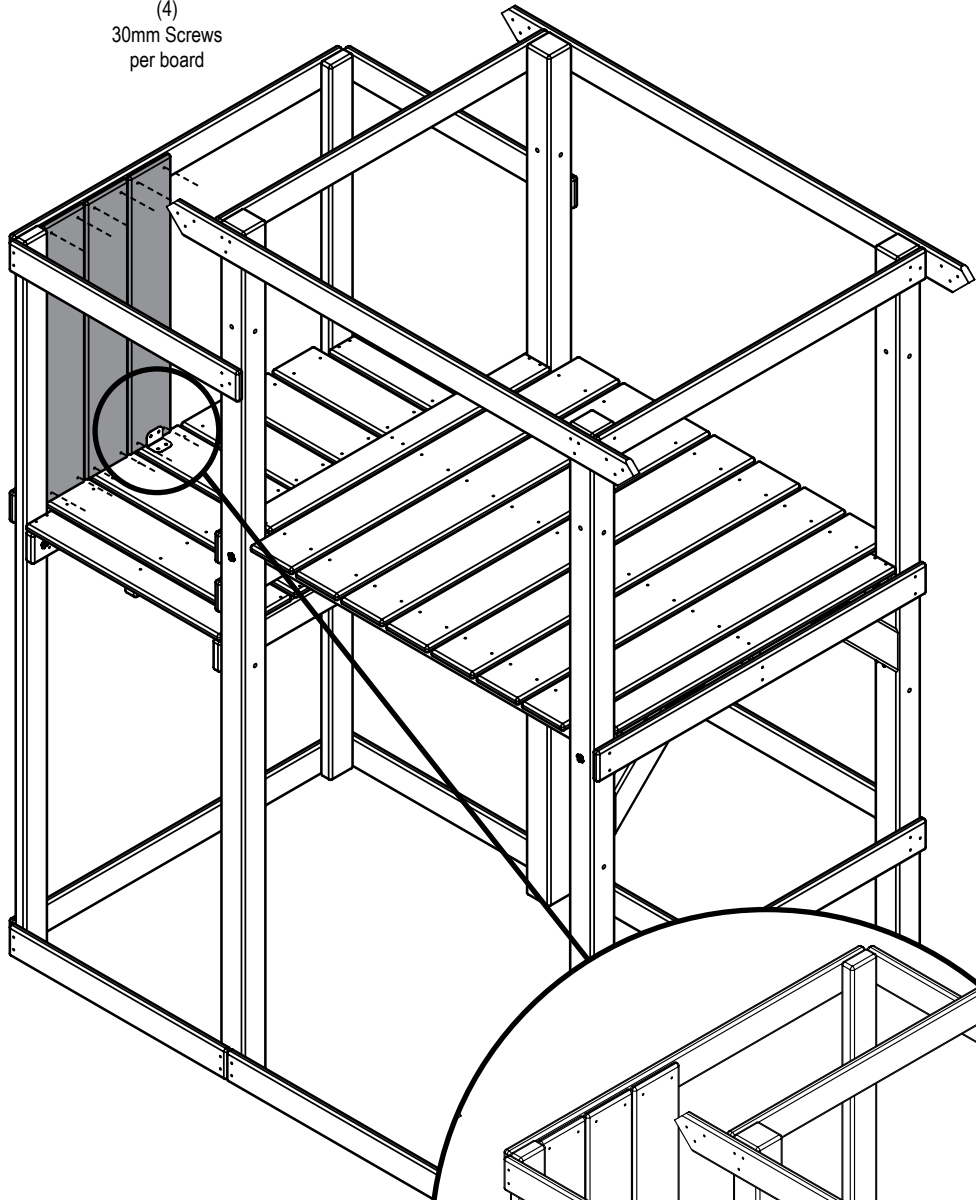
1. Attach Gap Filler Boards as shown.

**STEP 17**

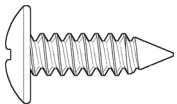
(3) PF 6021 5/8" x 5-3/8" x 30-3/4"

**NO GAPS BETWEEN BOARDS**

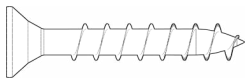
(4)  
30mm Screws  
per board



**INSIDE VIEW**



#12 x 3/4" Pan Screw (x4)



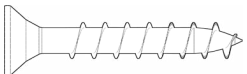
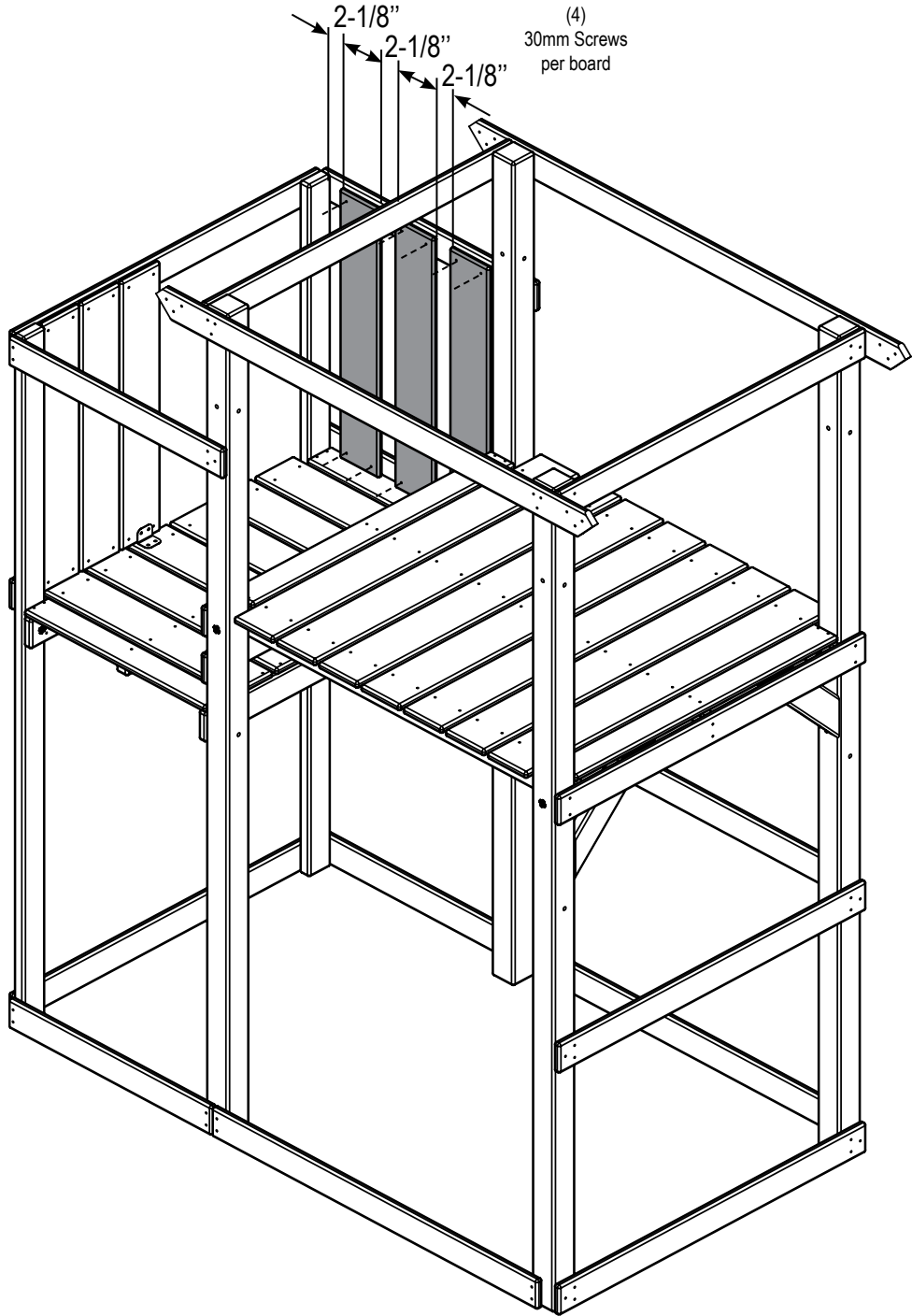
30mm Deck Screw (x12)

1. Install Barrier Boards as shown.

**STEP 18**

(3) PF 6021 5/8" x 5-3/8" x 30-3/4"

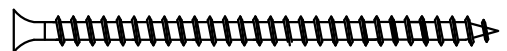
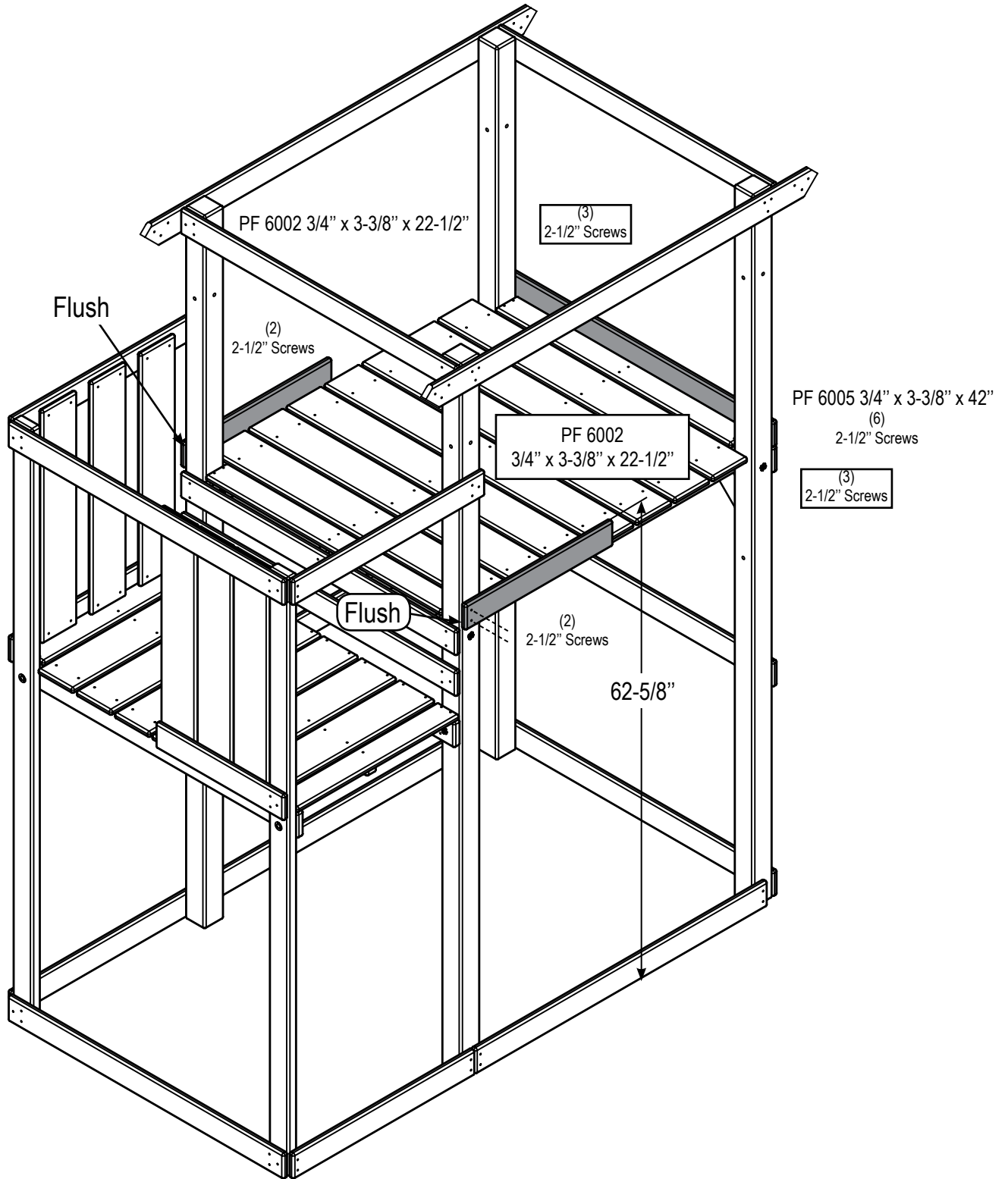
2-1/8" 2-1/8" 2-1/8" (4) 30mm Screws per board



30mm Deck Screw (x12)

1. Attach Barrier Boards as shown.

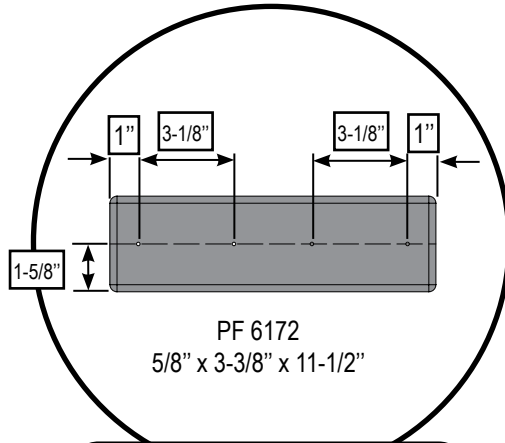
STEP 19



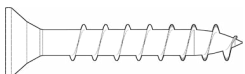
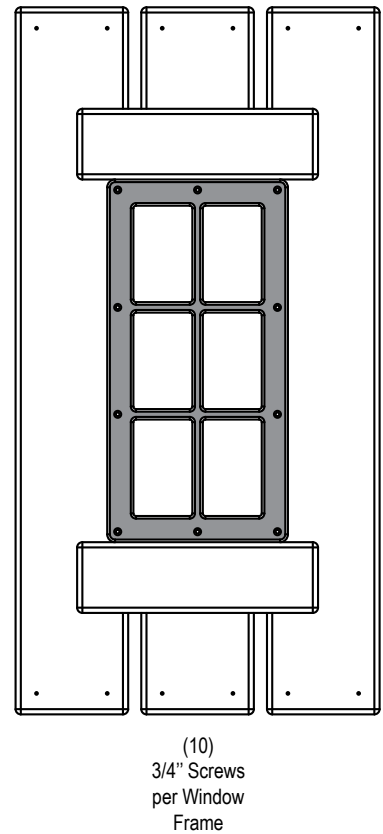
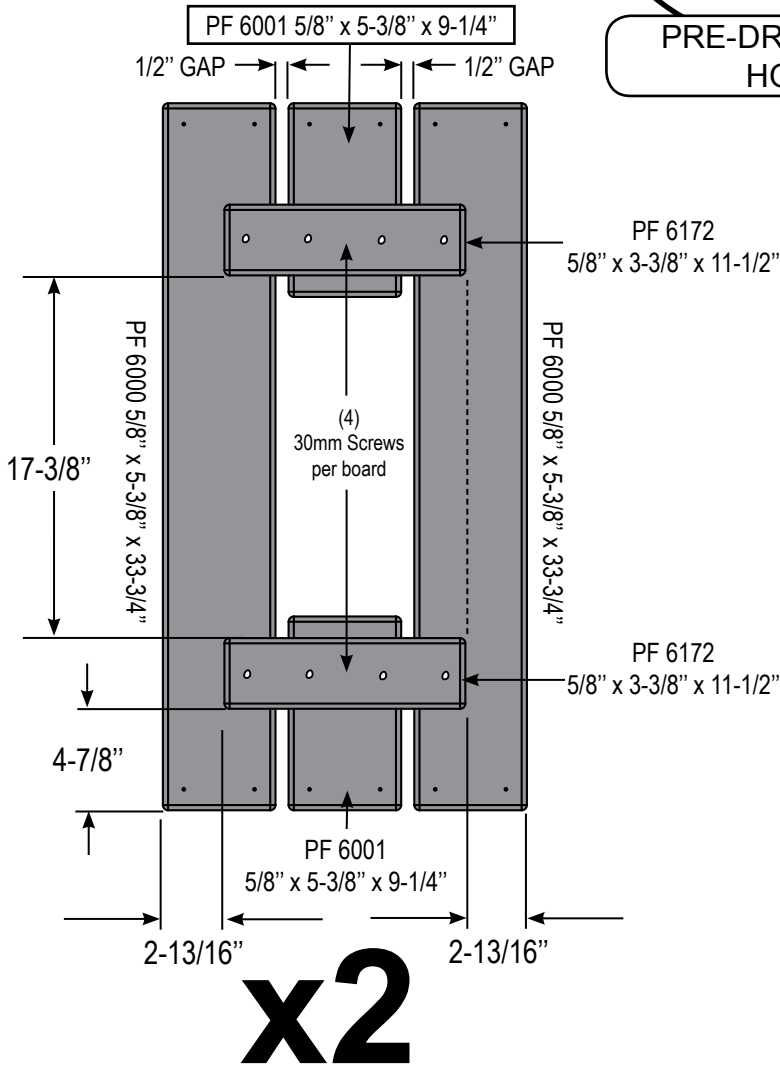
2-1/2" Deck Screw (x10)

1. Install Barrier Support Boards as shown.

**STEP 20**



**PRE-DRILL (4) 1/8" HOLES**



30mm Deck Screw (x8)

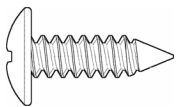
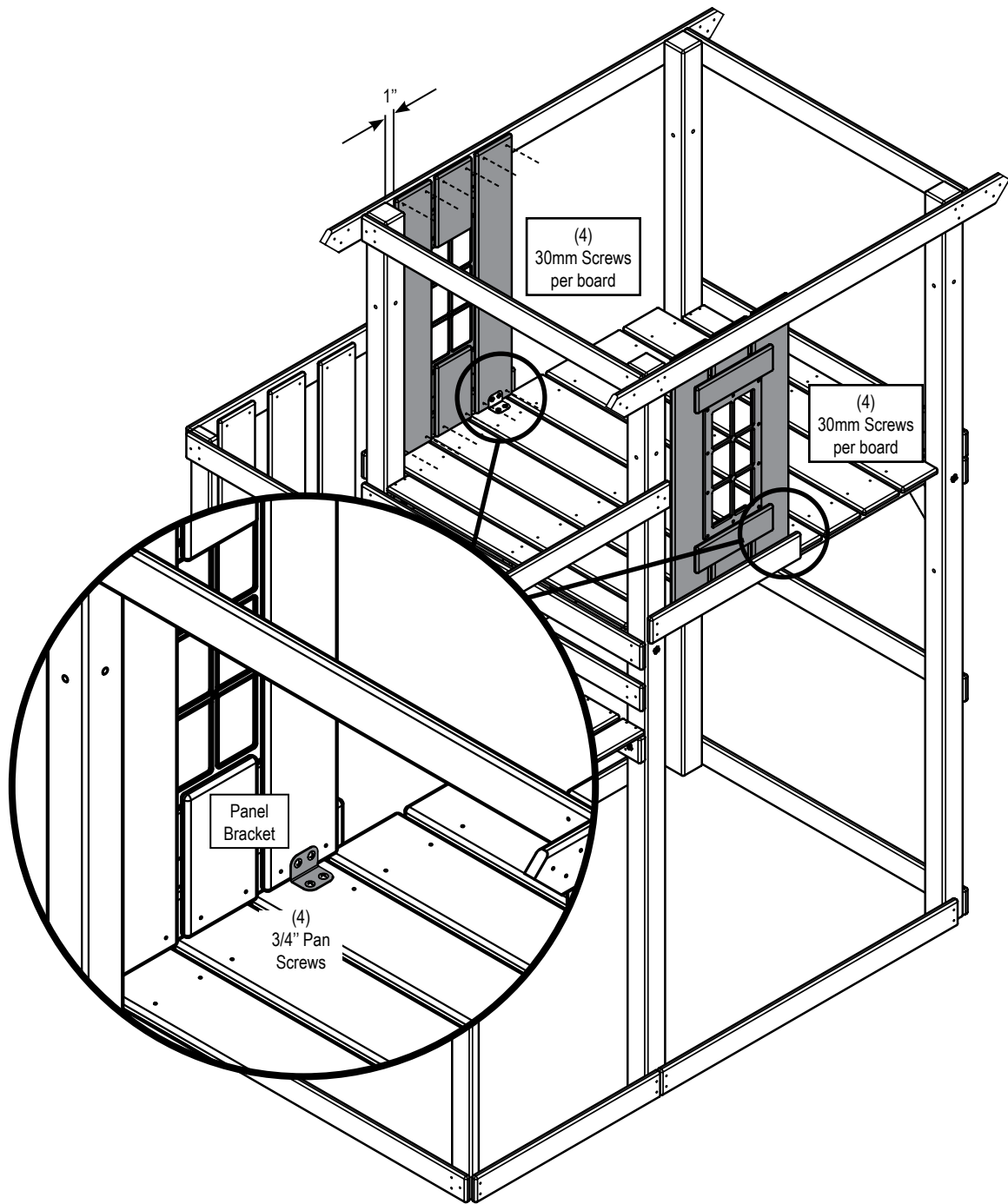


3/4" Flat Head Screw (x10)

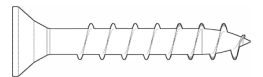
**Hint!! Use parts from your Tower Box.**

1. To avoid splitting, pre-drill holes in all PF6172 Boards, as shown.
2. Assemble Window Panels as shown.
3. Install Window Frames as shown.

STEP 21



#12 x 3/4" Pan Screw (x8)



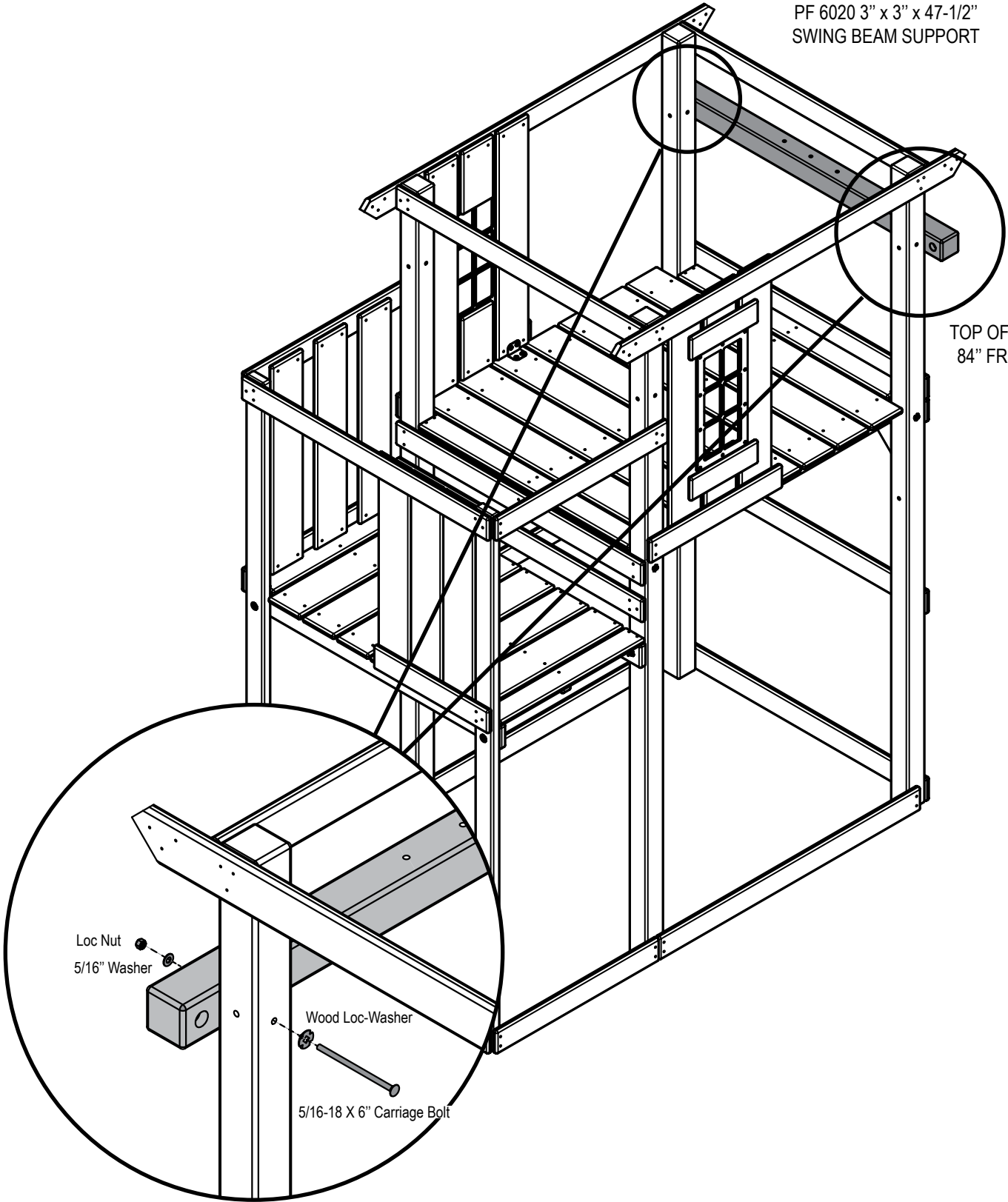
30mm Deck Screw (x24)

1. Install Window Panels.

STEP 22

PF 6020 3" x 3" x 47-1/2"  
SWING BEAM SUPPORT

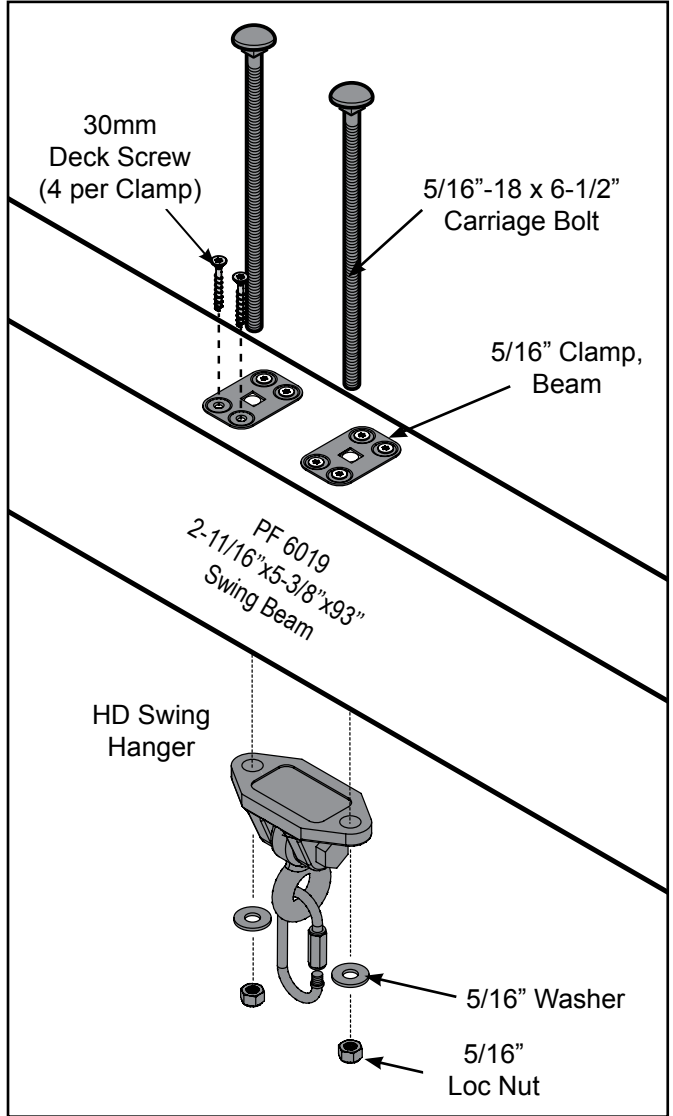
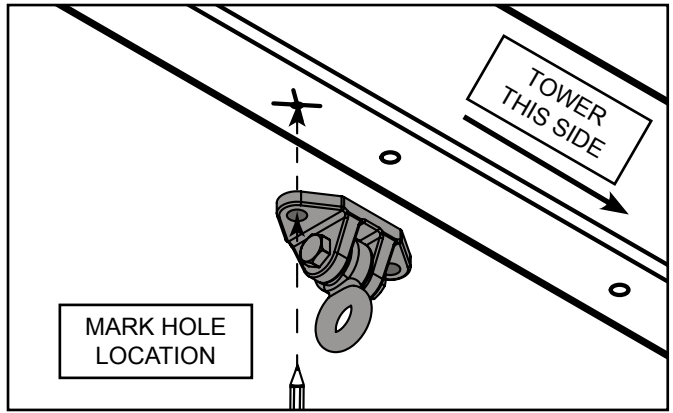
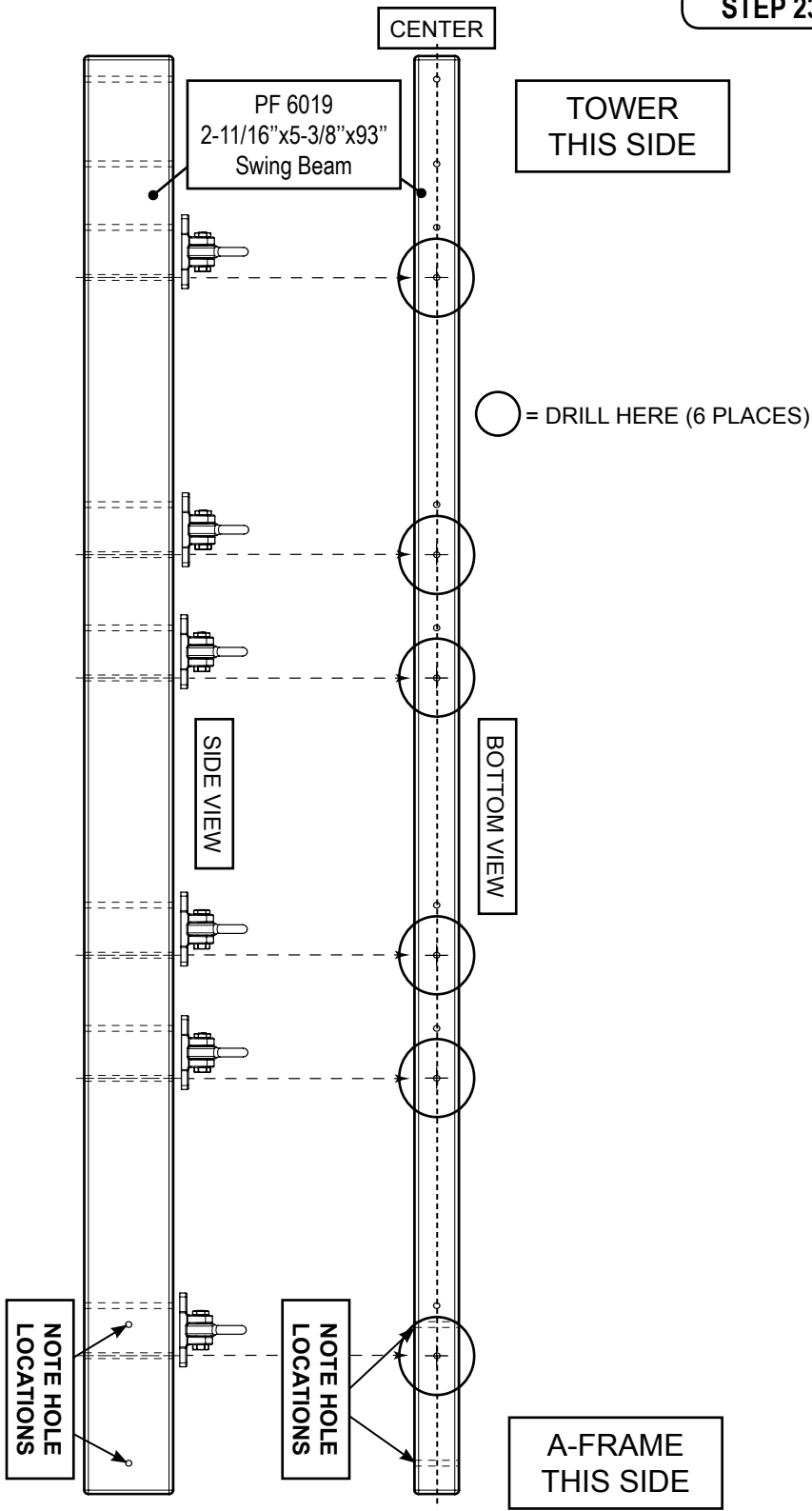
TOP OF BEAM SUPPORT  
84" FROM BOTTOM OF  
POST



1. Install Swing beam support as shown.



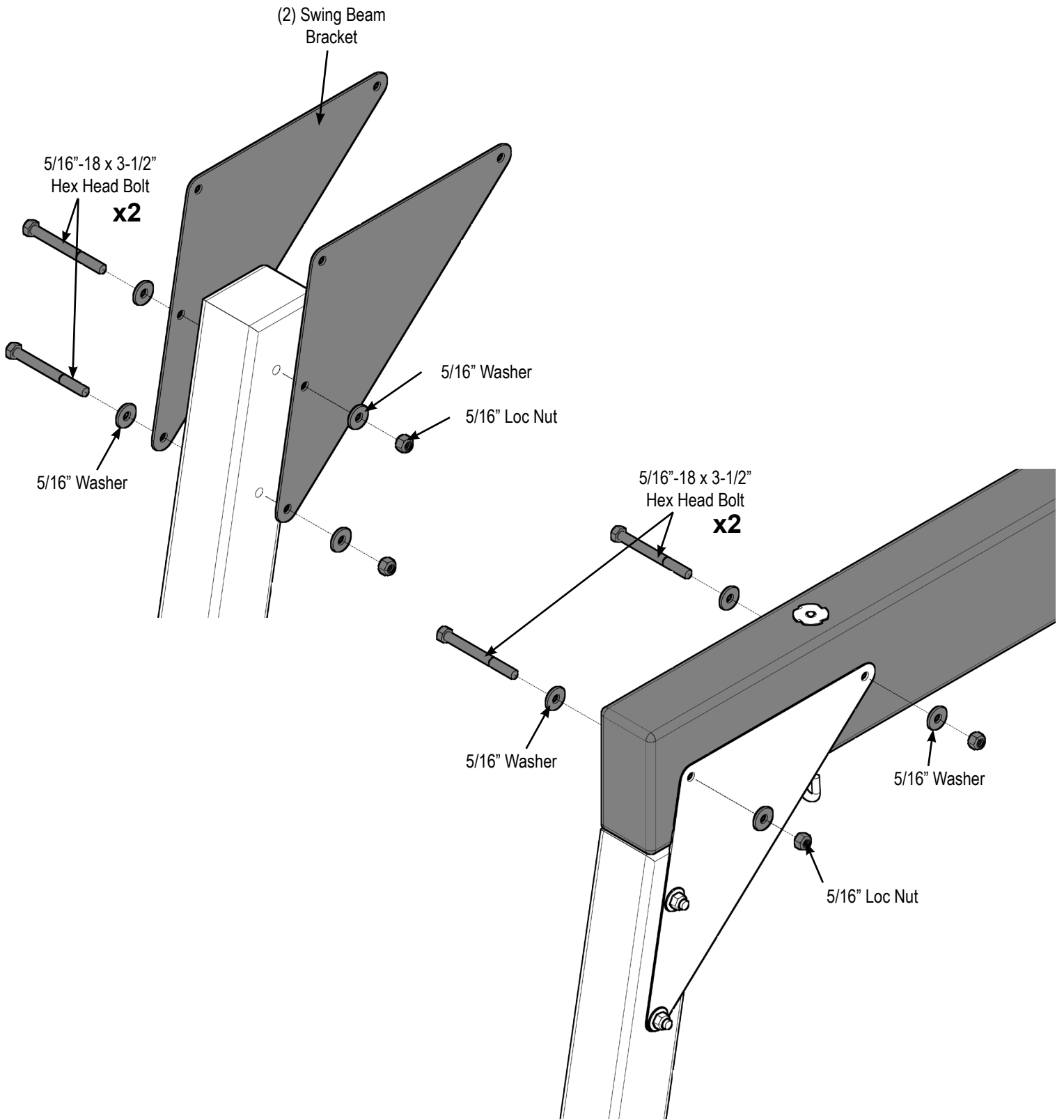
STEP 23



1. Locate the PF 6019 Swing Beam in your kit.
2. Using your HD Swing Hanger as a guide, mark six hole locations as shown.
3. Using the 3/8" x 6" Drill Bit included, drill six holes. These will allow the installation of the (6) Heavy Duty Swing Hangers included in your kit.  
**NOTE:** Make certain to attach swing hangers on the same side that you drilled from. This will ensure proper alignment.
4. Attach Heavy Duty Swing Hangers as shown.

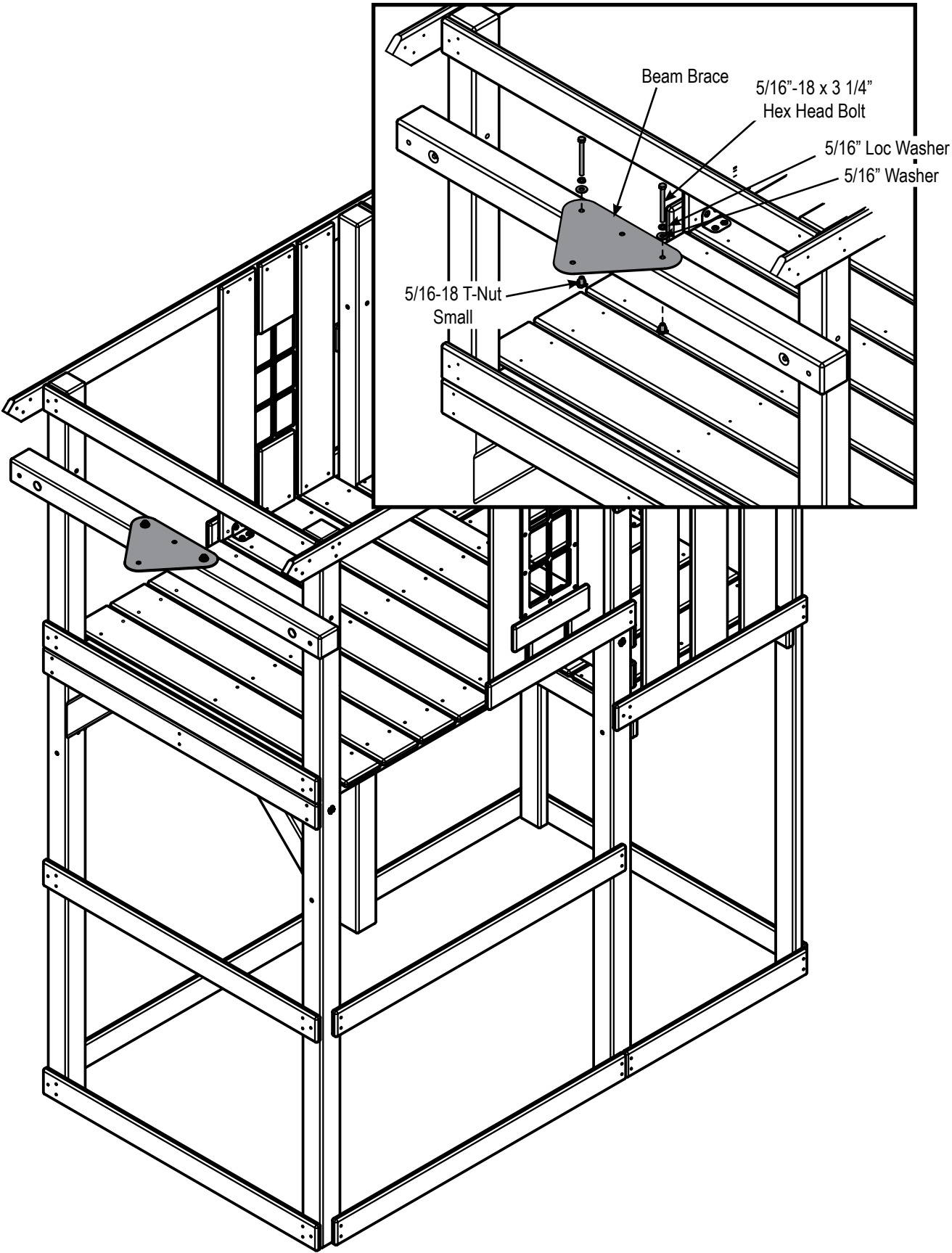


**STEP 25**



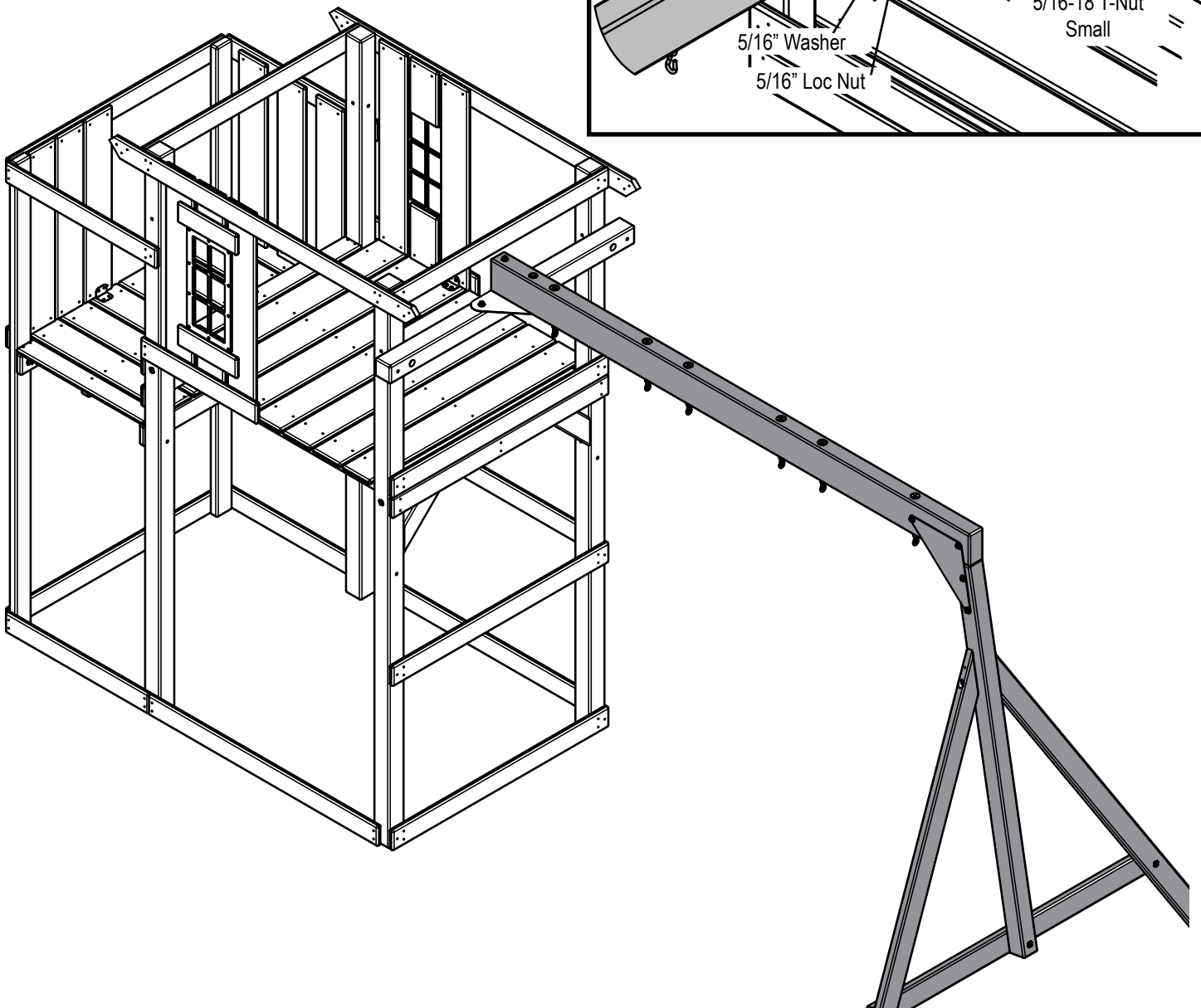
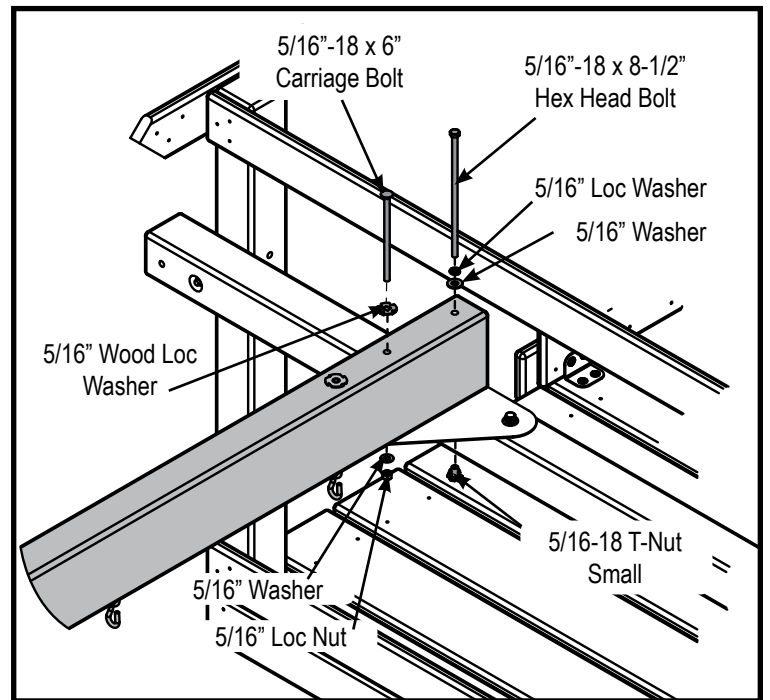
1. Attach Swing Beam Bracket to A-Frame & Swing Beam as shown.

STEP 26



1. Install Swing Beam Brace as shown.

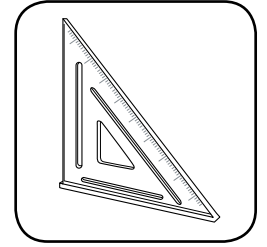
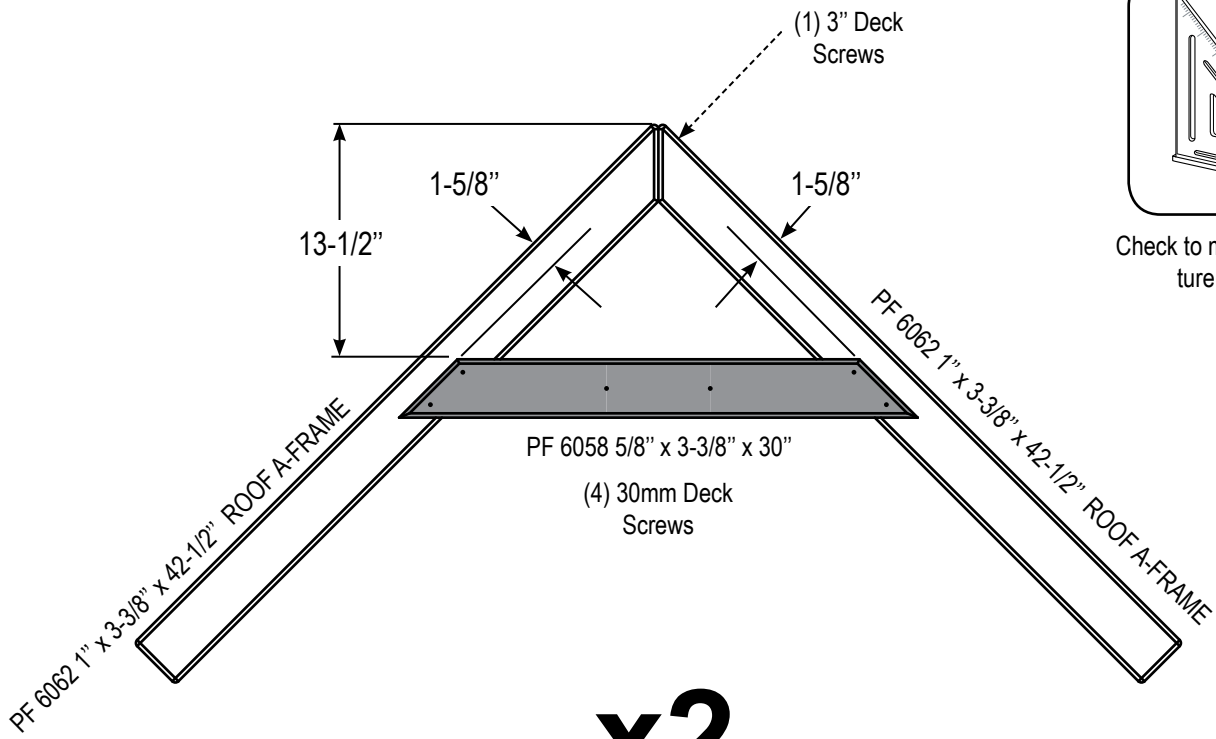
STEP 27



1. Install Swing Beam as shown.

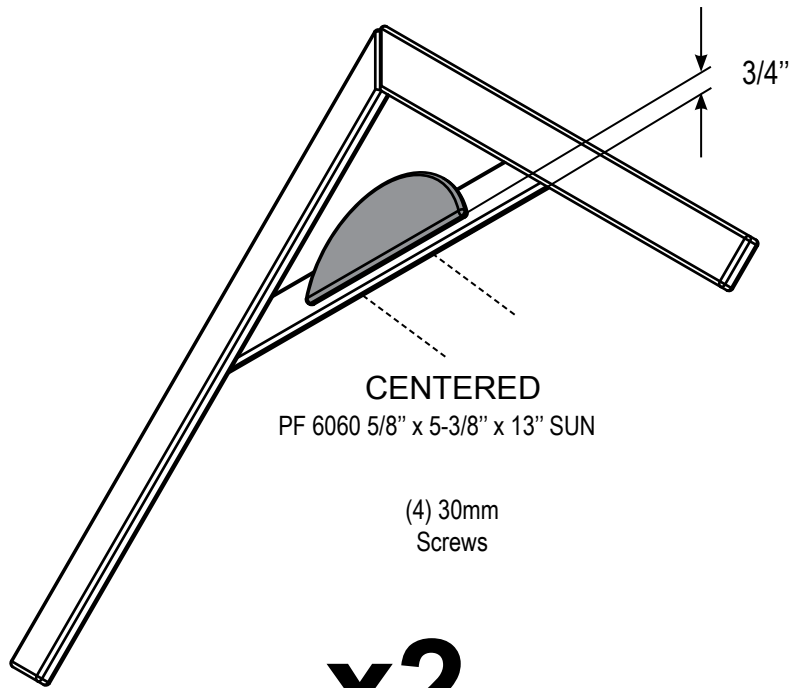


**STEP 29**

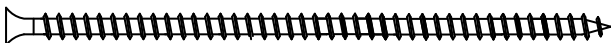


Check to make sure structure is square

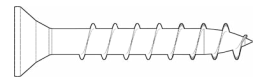
**x2**



**x2**



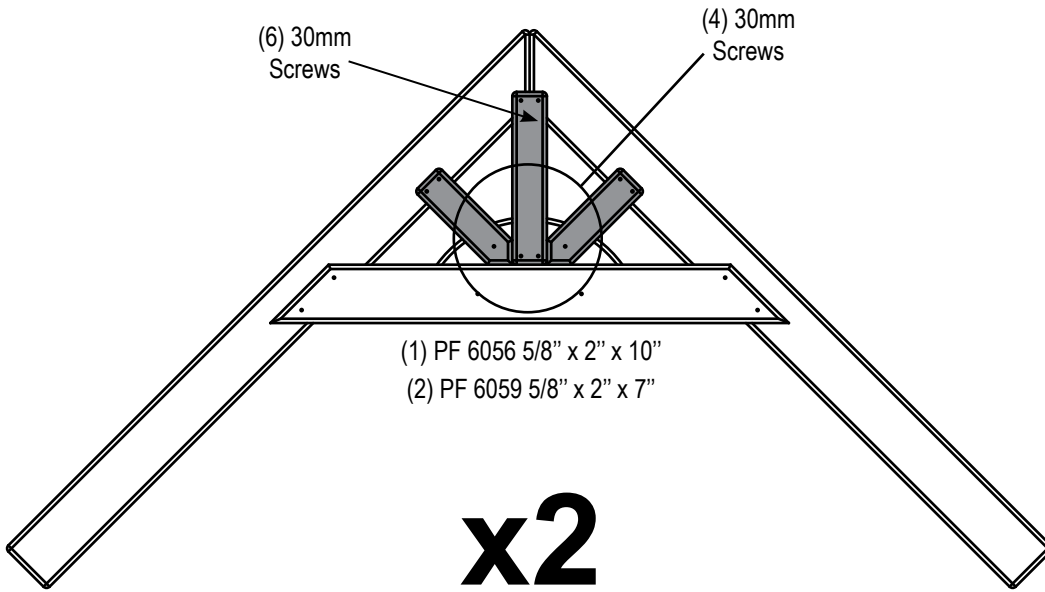
3" Deck Screw (x2)



30mm Deck Screw (x12)

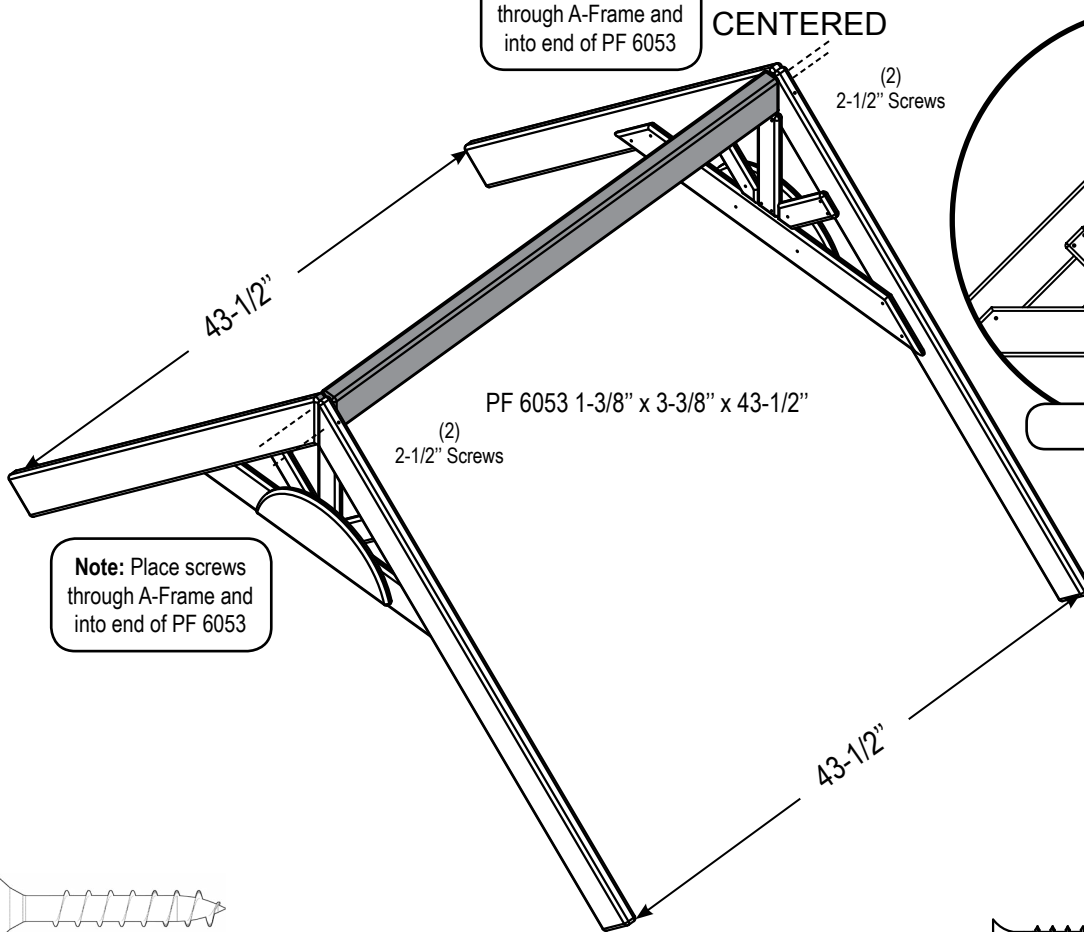
1. Assemble Roof A-Frames as shown.

**STEP 30**

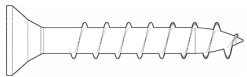


**Note:** Place screws through A-Frame and into end of PF 6053

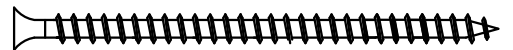
**CENTERED**



**Note:** Place screws through A-Frame and into end of PF 6053



30mm Deck Screw (x20)

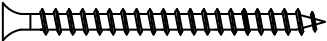
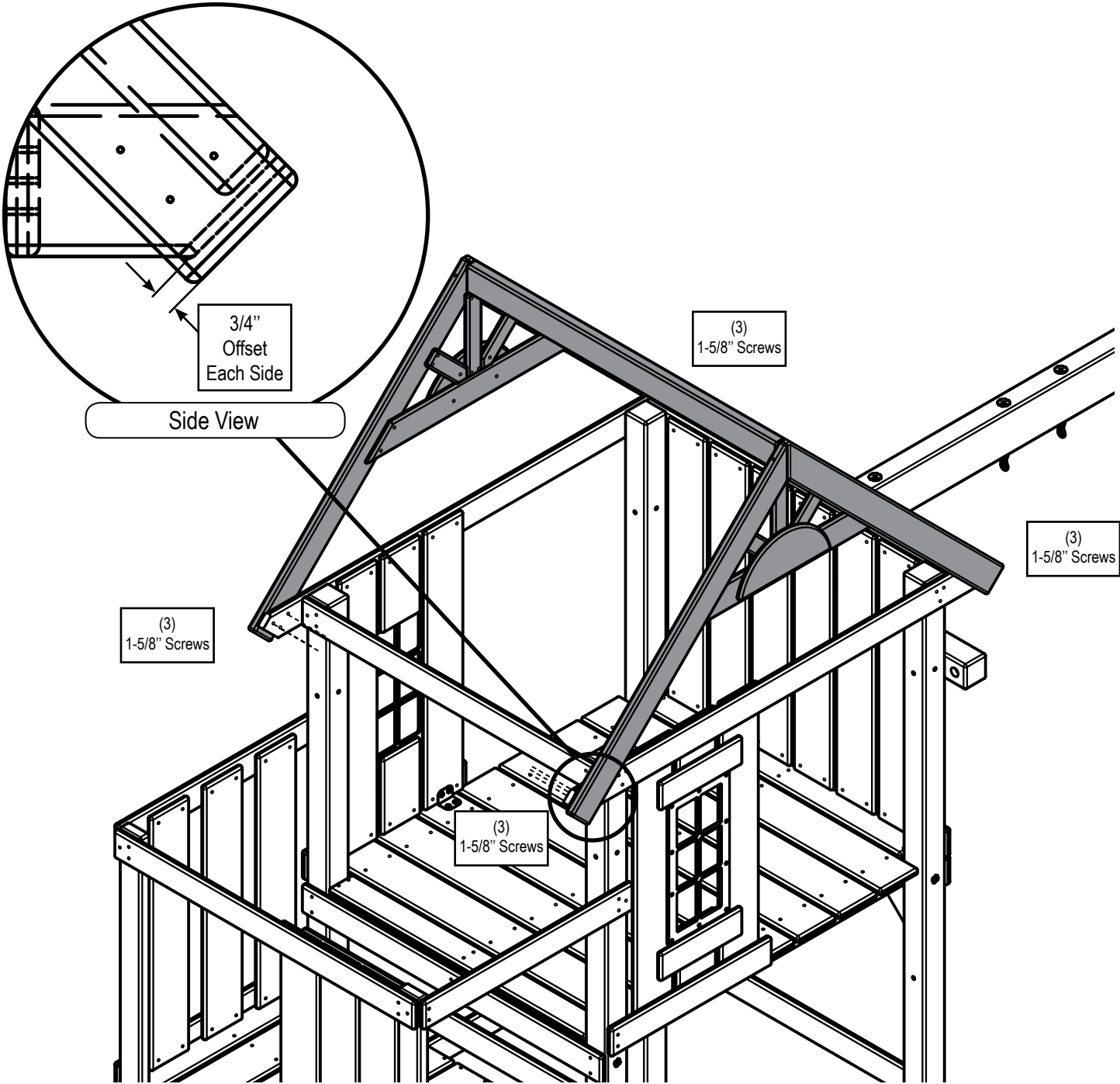


2-1/2" Deck Screw (x4)

1. Assemble the Roof frame as shown.



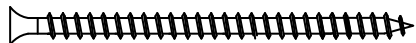
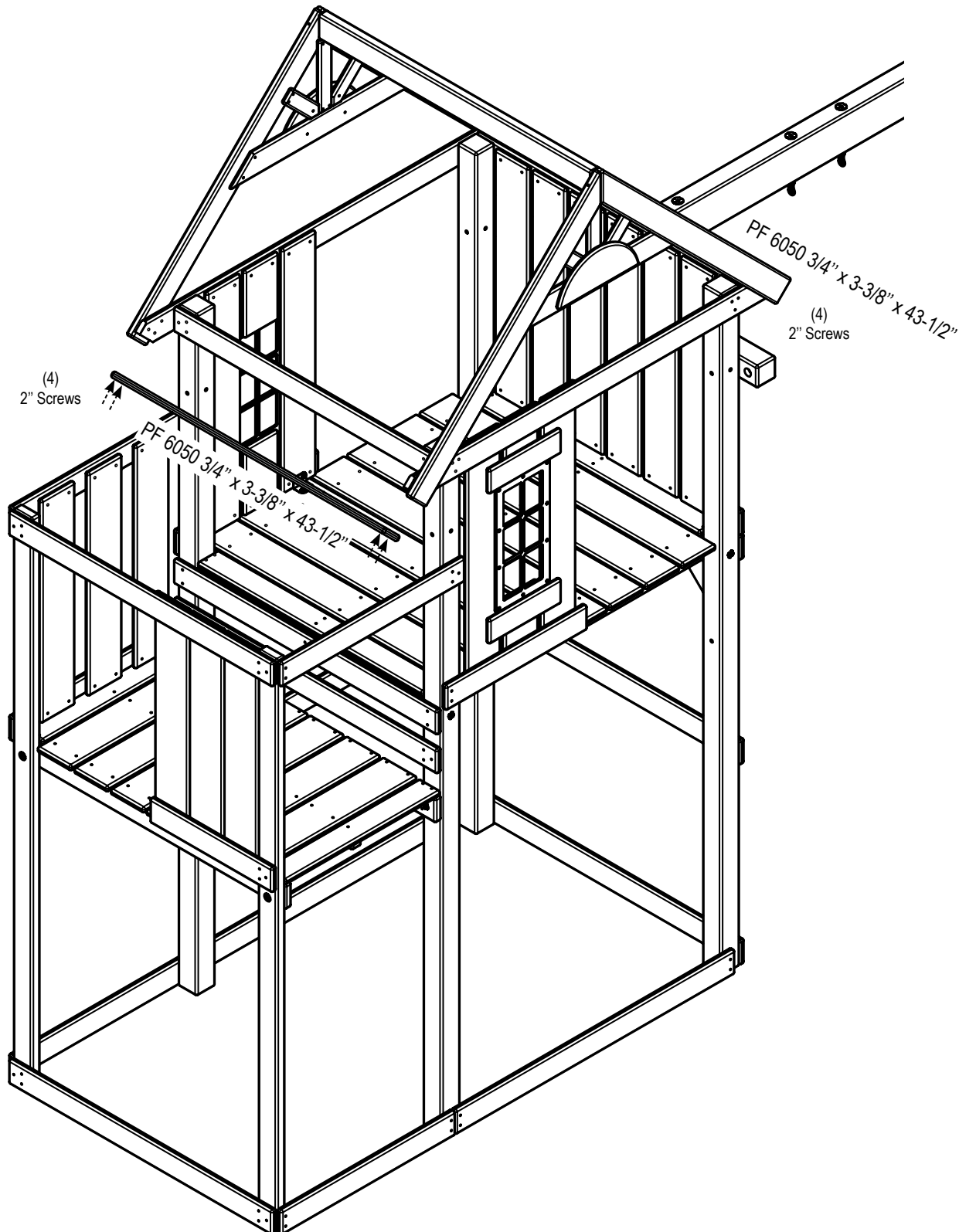
STEP 31



1-5/8" Deck Screw (x12)

- 1. Attach Roof Frame to Tower as shown.

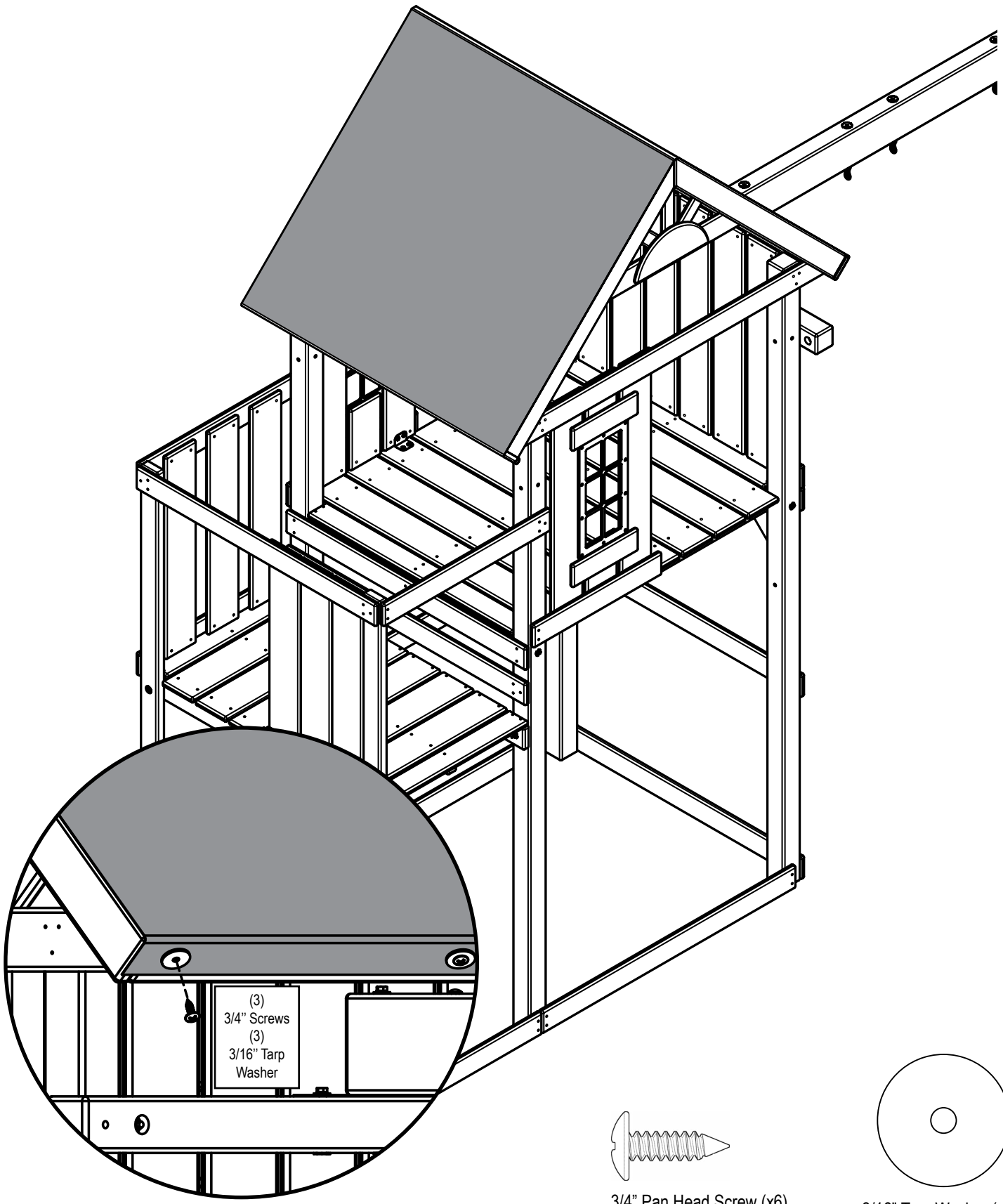
STEP 32



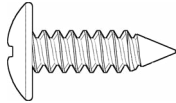
2" Deck Screw (x8)

1. Attach Roof Side Support Boards as shown.

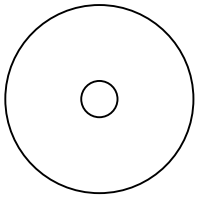
STEP 33



(3)  
3/4" Screws  
(3)  
3/16" Tarp  
Washer



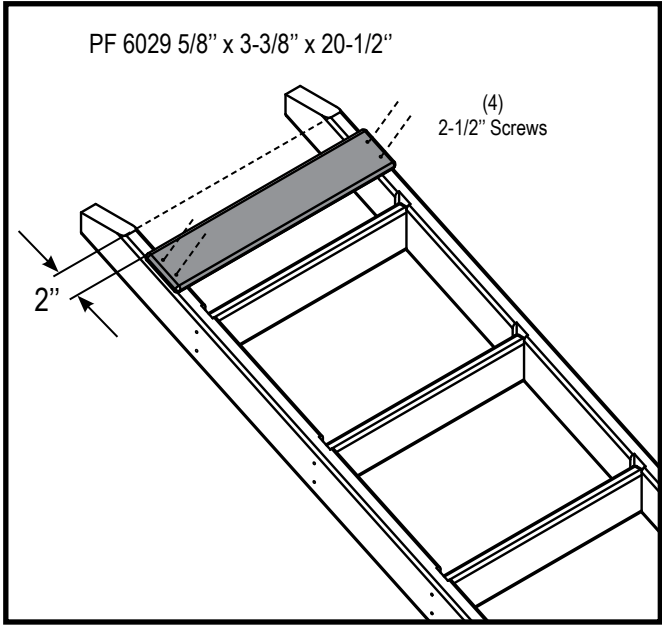
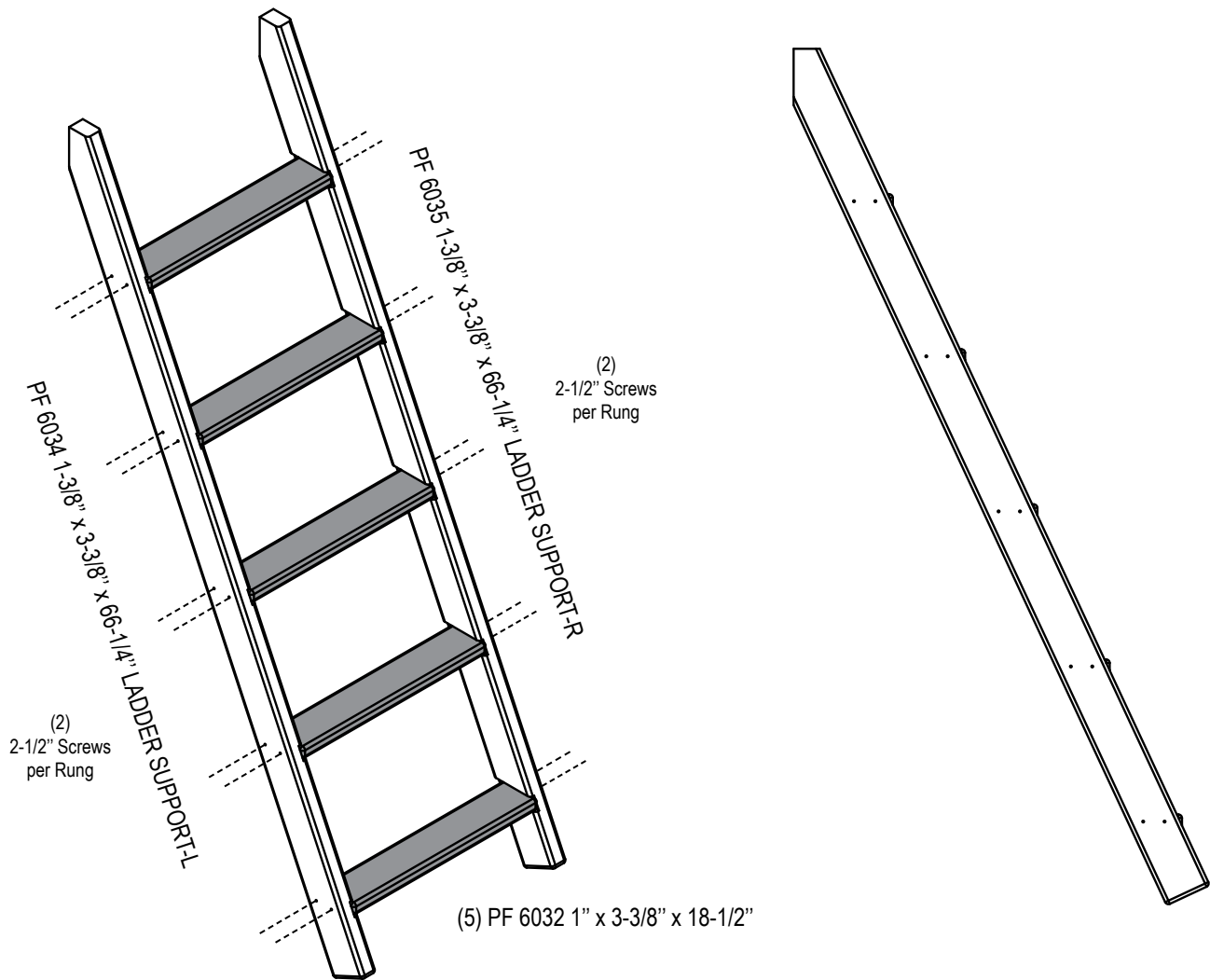
3/4" Pan Head Screw (x6)



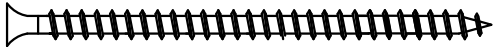
3/16" Tarp Washer (x6)

1. Attach Tarp as shown.

**STEP 34**



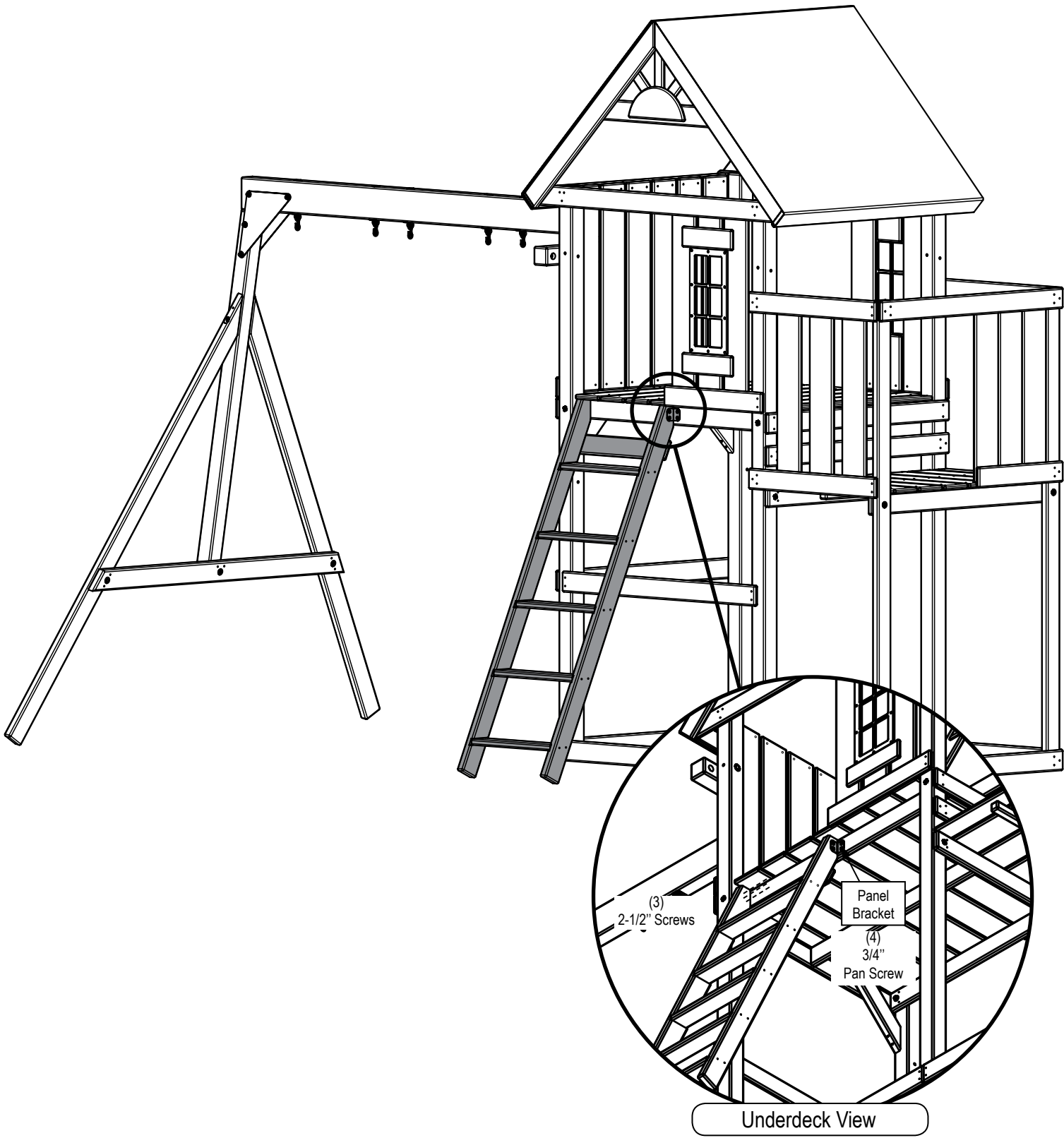
**Hint!! Use parts from your Ladder Box.**



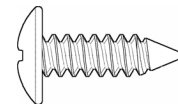
2-1/2" Deck Screw (x24)

1. Assembly Ladder as shown.

STEP 35



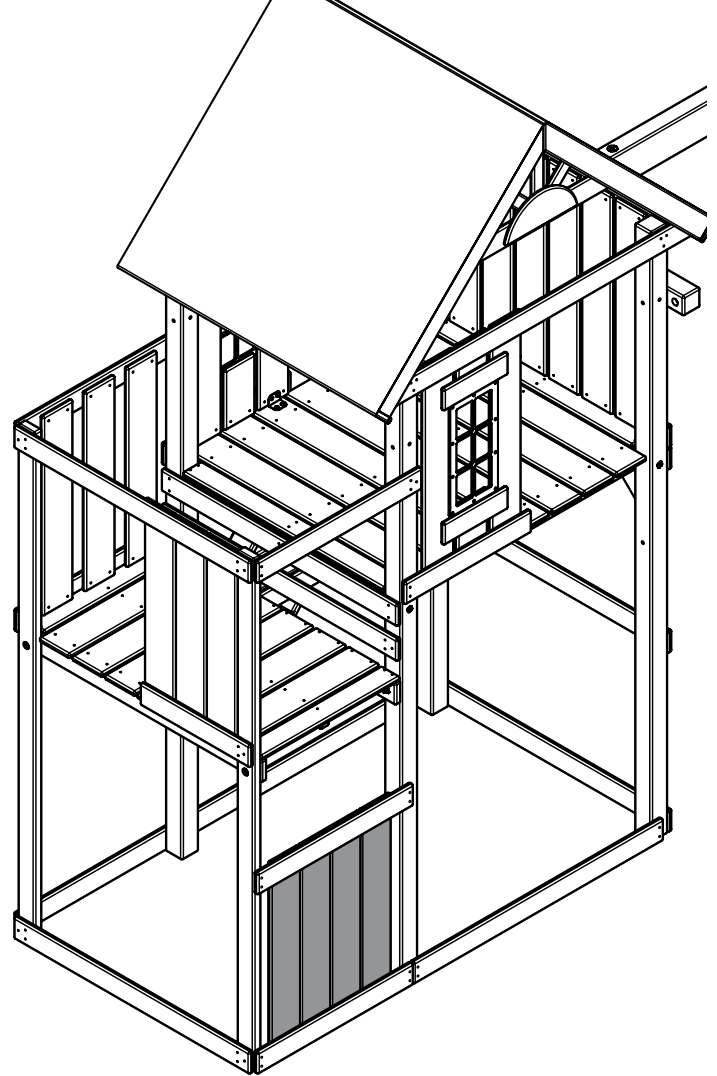
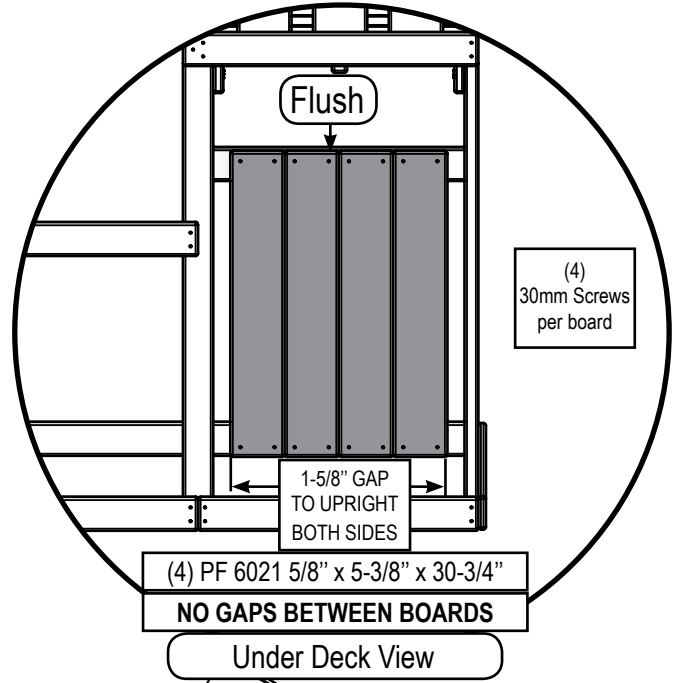
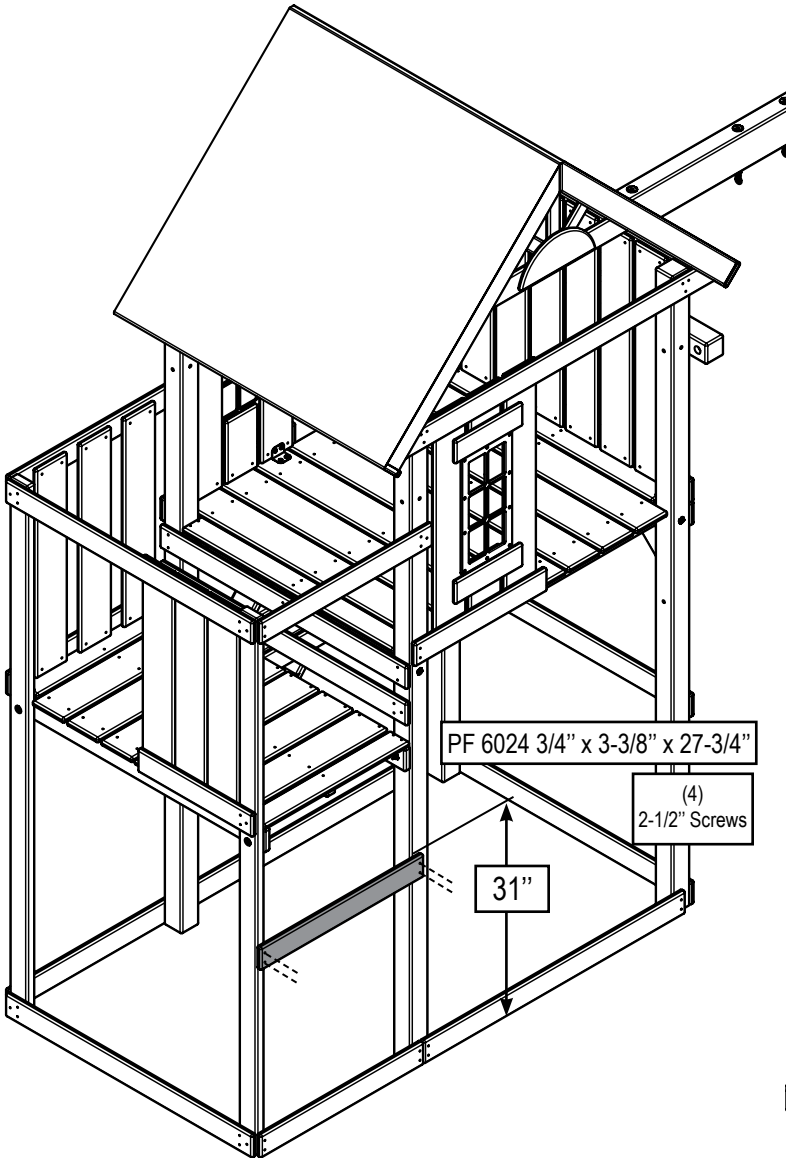
2-1/2" Deck Screw (x3)



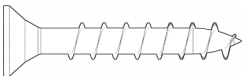
#12 x 3/4" Pan Screw (x4)

1. Attach Ladder to Tower as shown.

STEP 36



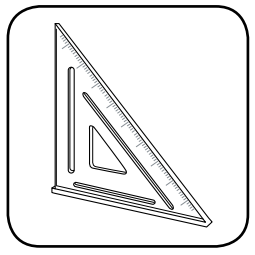
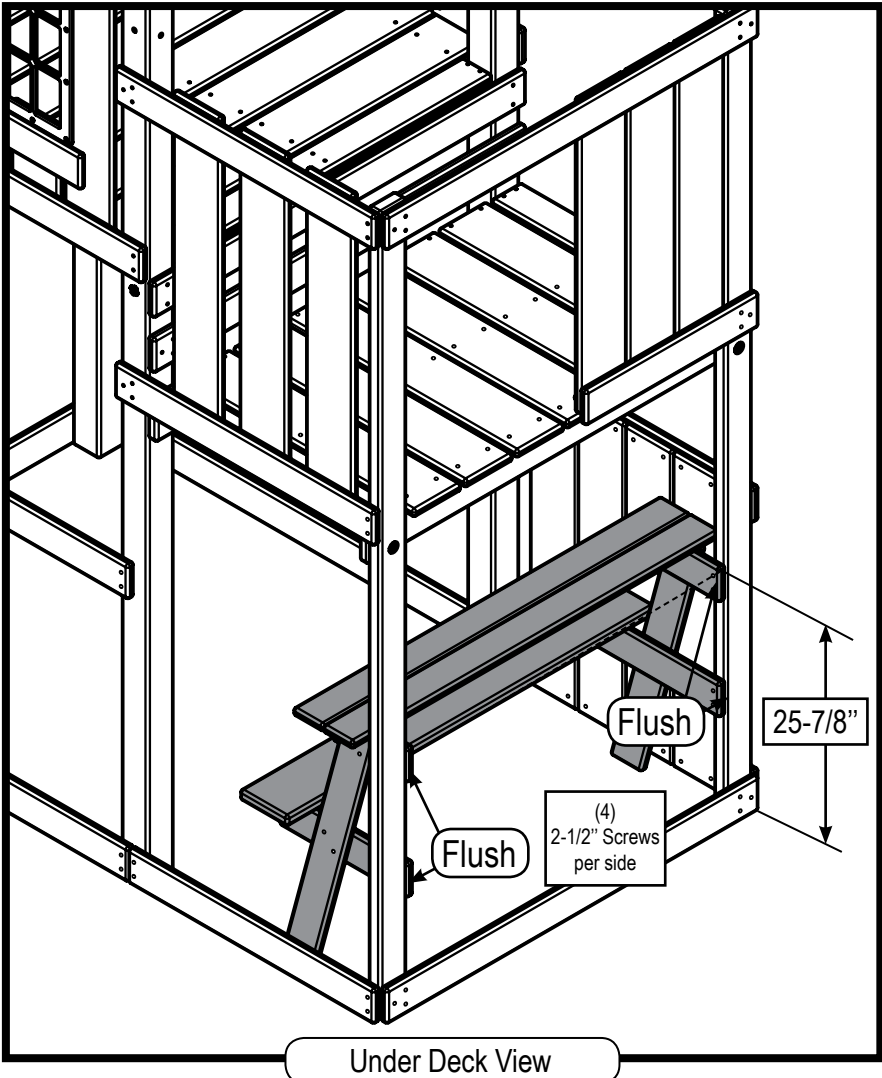
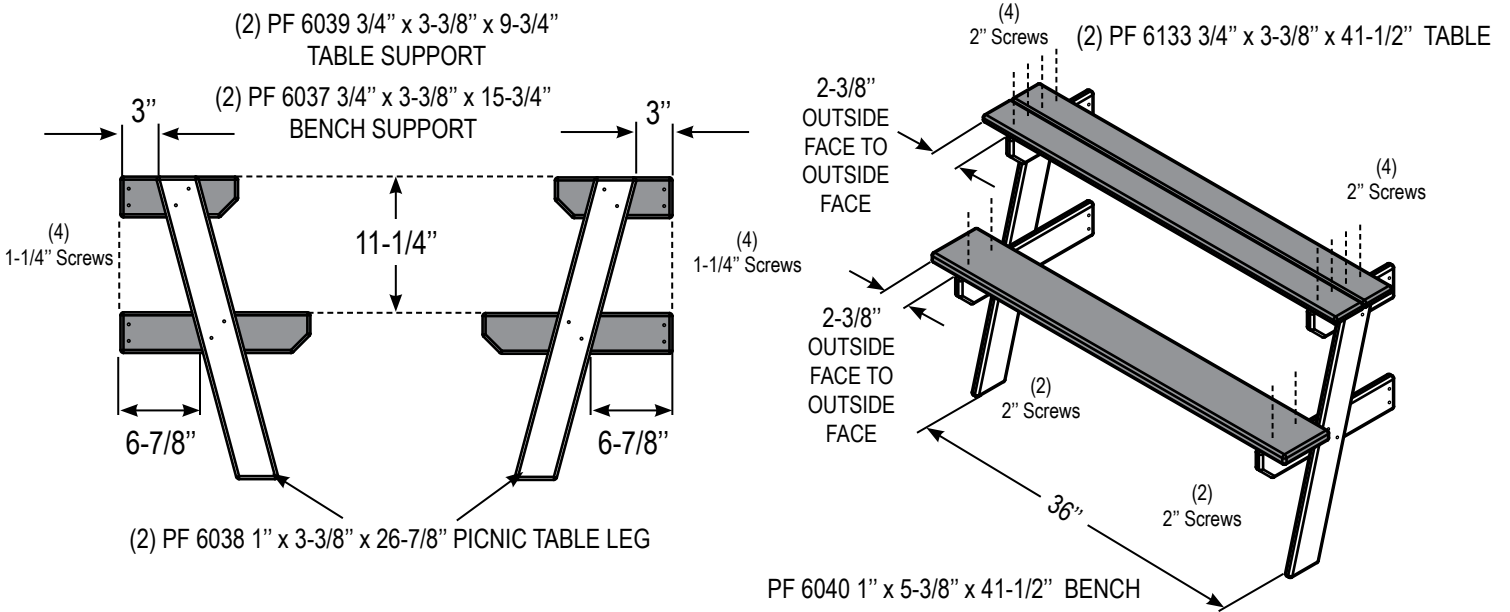
2-1/2" Deck Screw (x4)



30mm Deck Screw (x16)

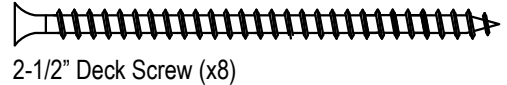
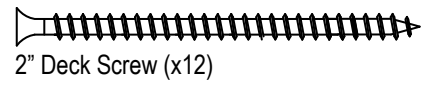
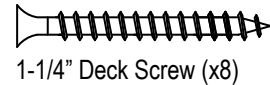
1. Install barrier support and barrier boards as shown.

**STEP 37**



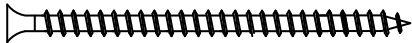
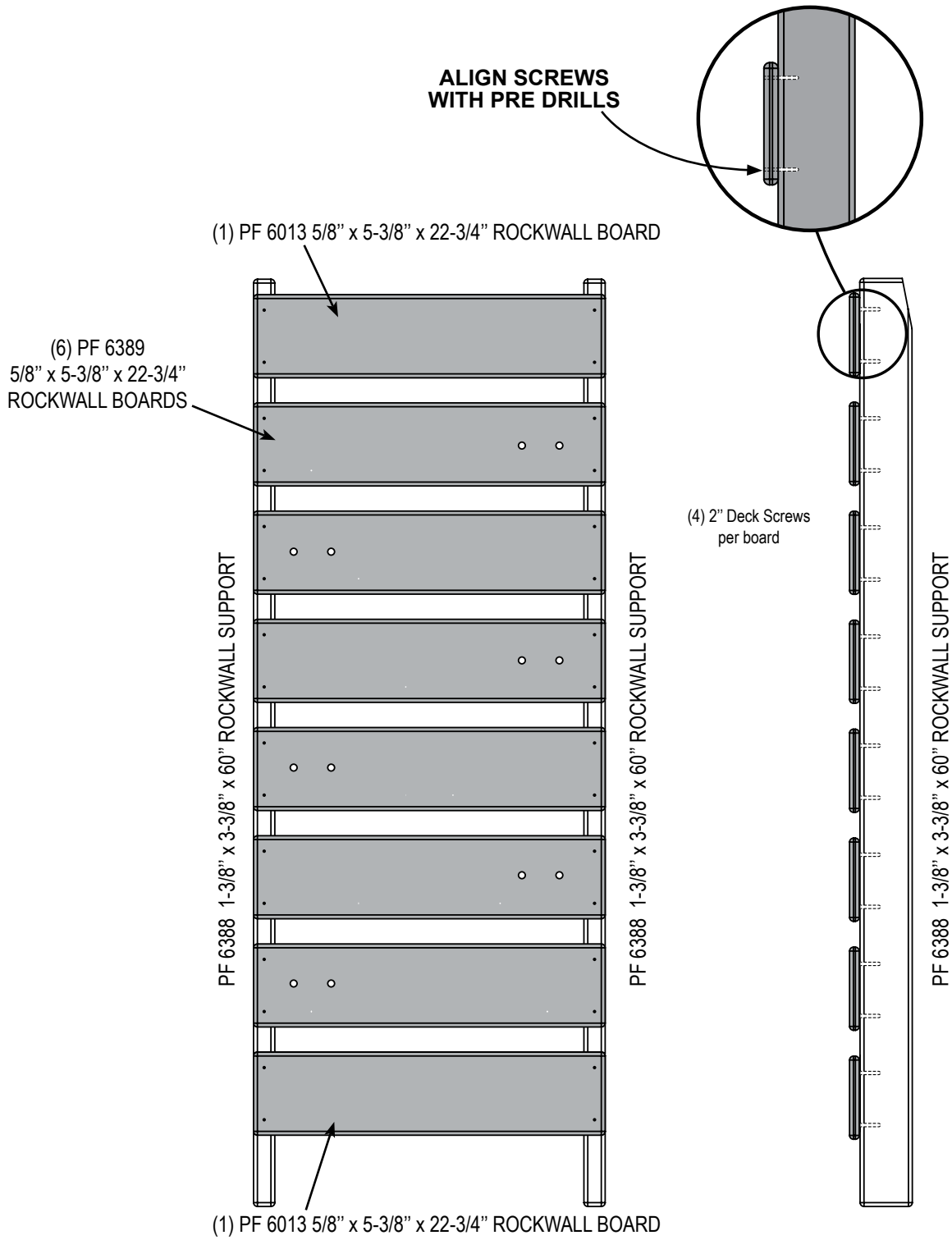
Check to make sure structure is square

**Hint!! Use parts from your Table Box.**



1. Assemble and install Picnic Table as shown.

**STEP 38**

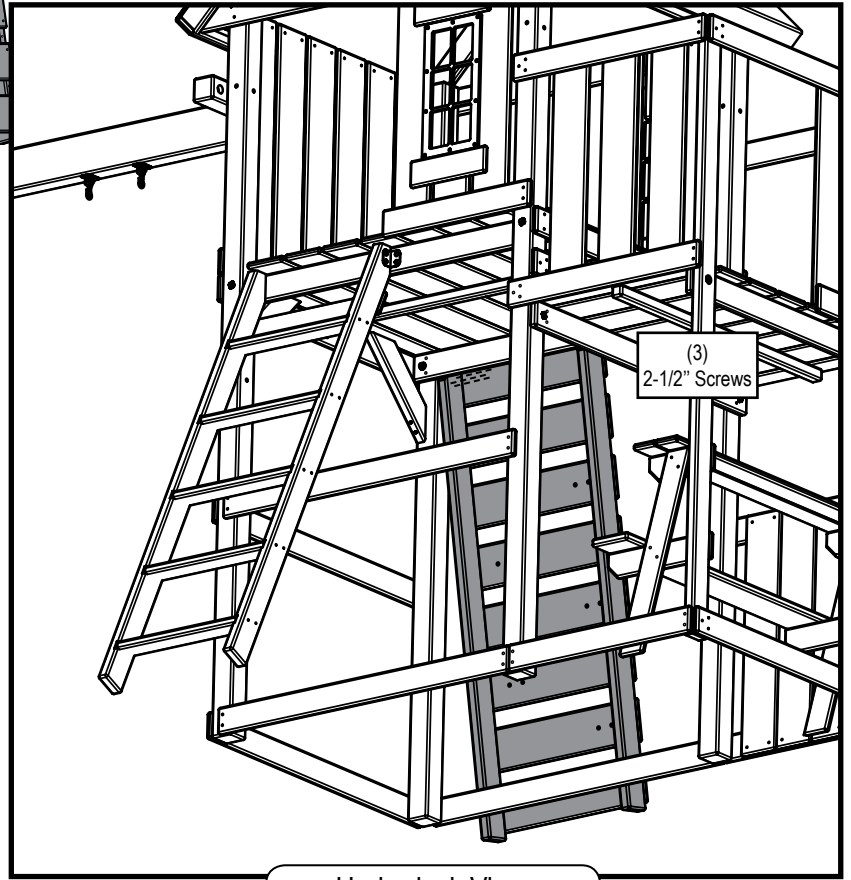
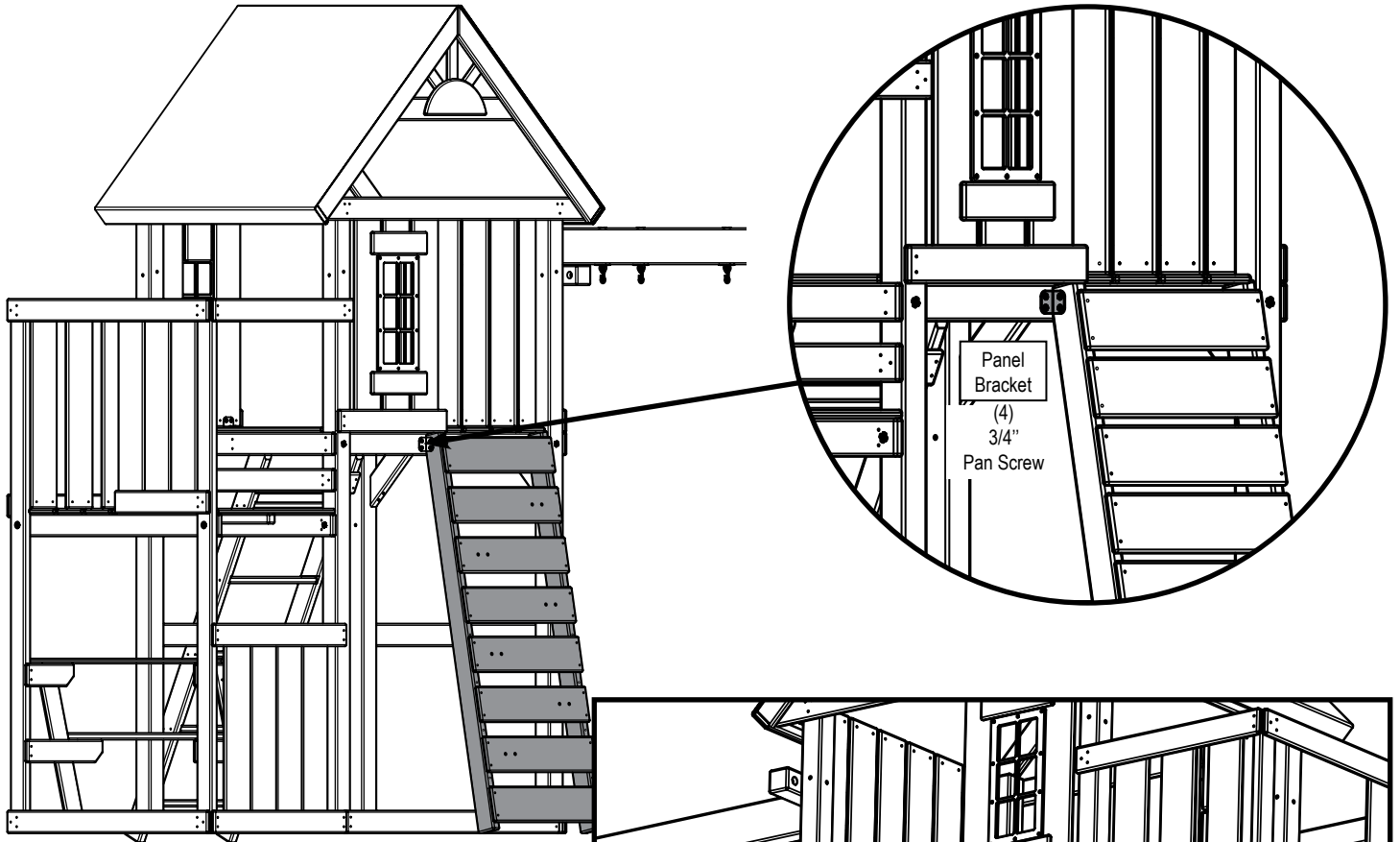


2" Deck Screw (x32)

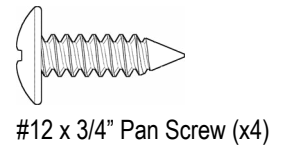
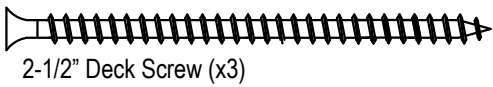
1. Align and install rock wall boards to the image above.



STEP 39

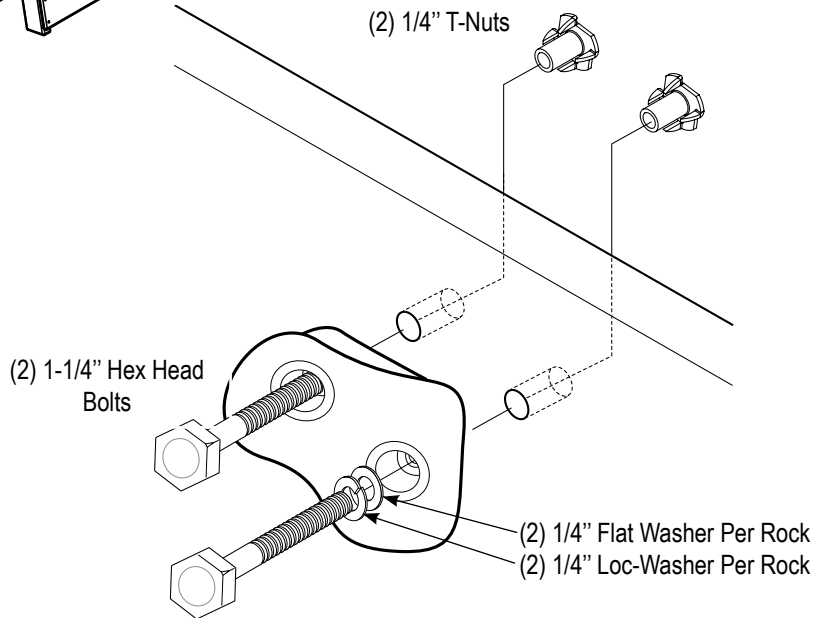
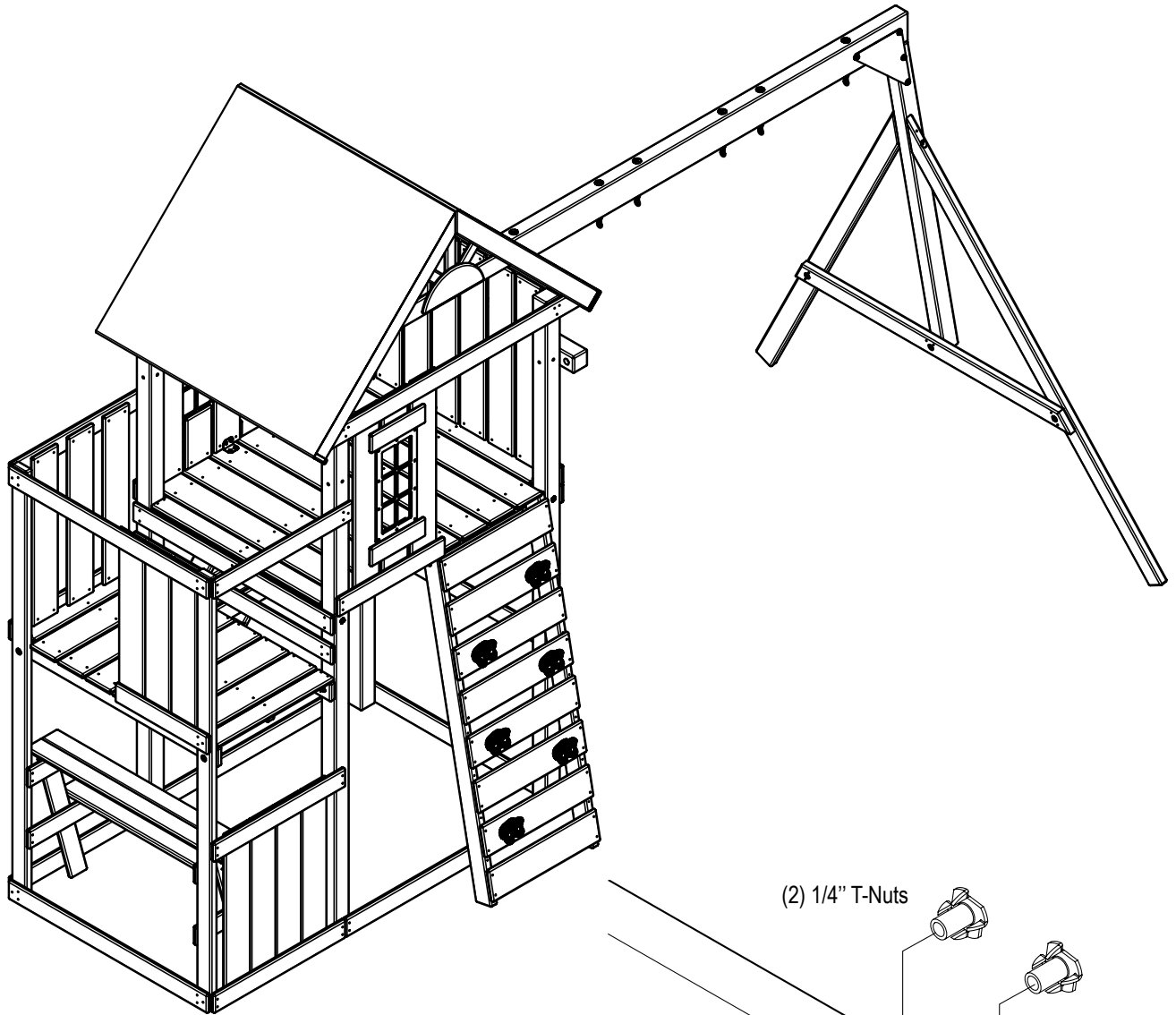


Underdeck View



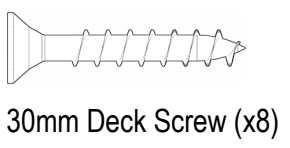
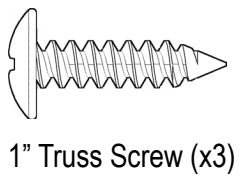
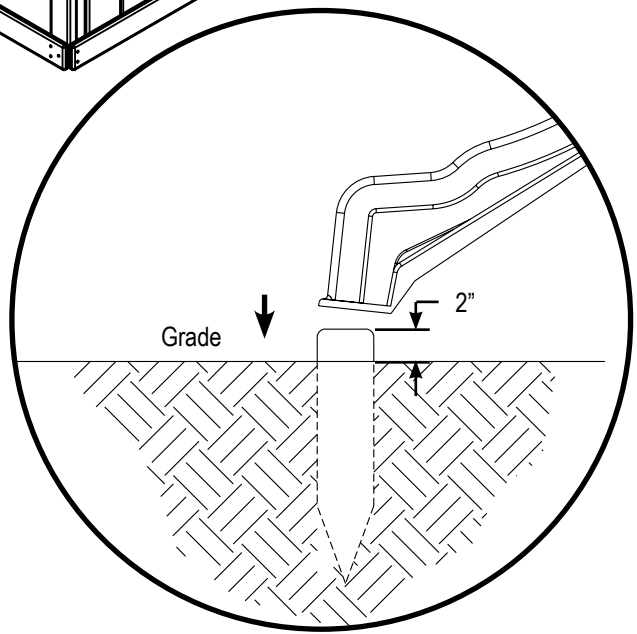
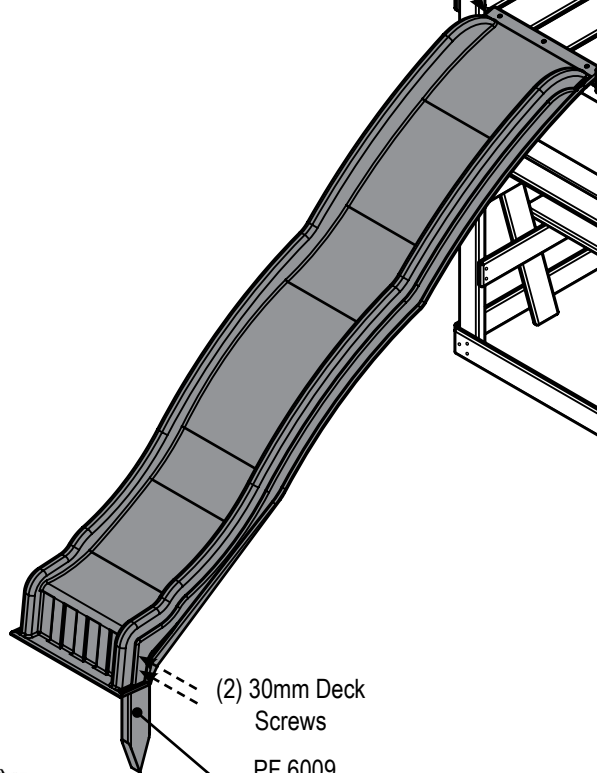
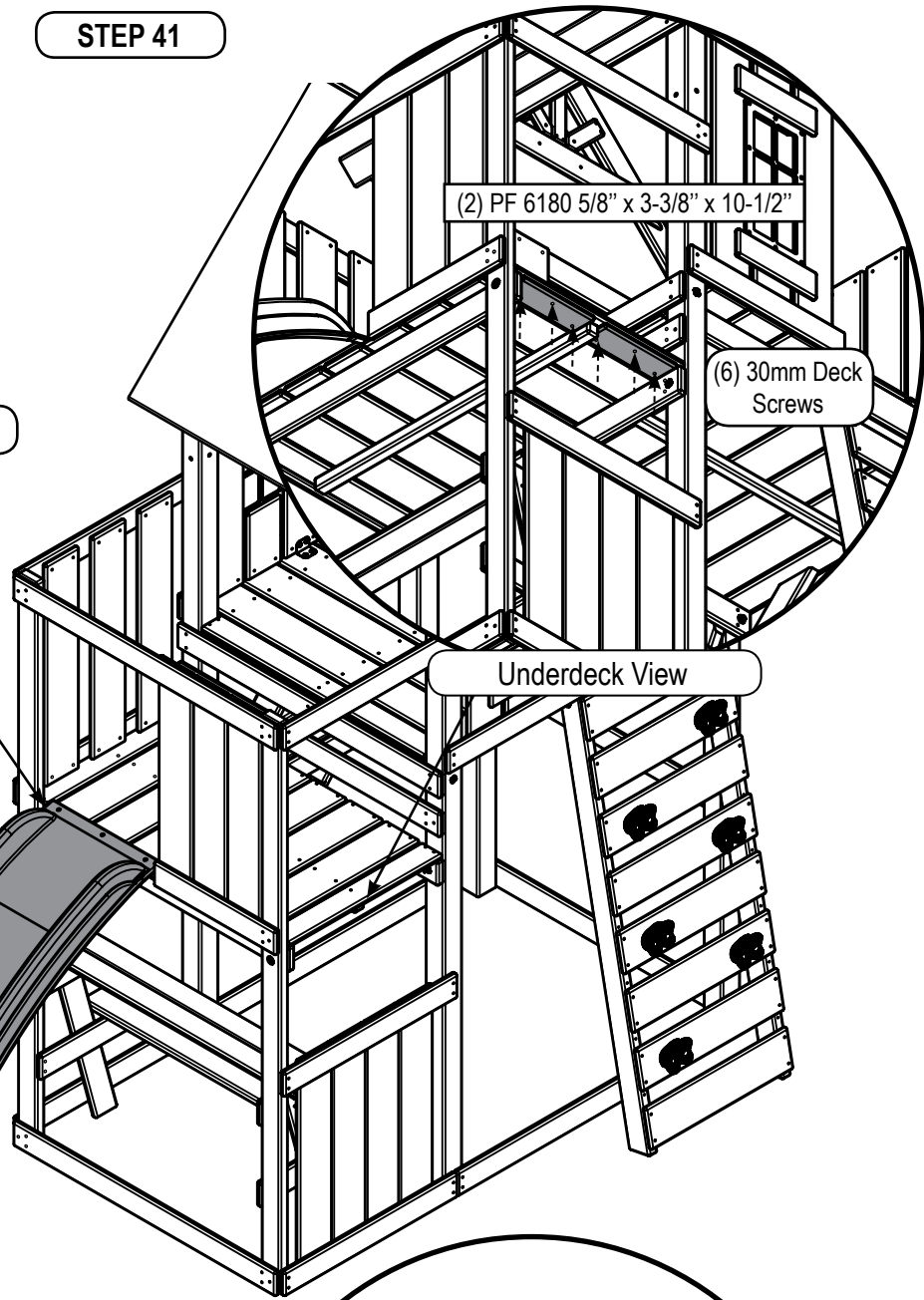
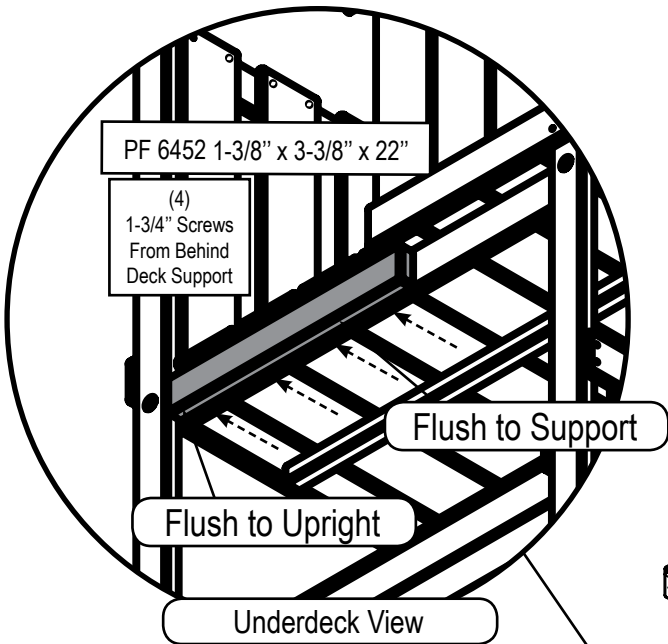
1. Attach Rock Wall as shown.

STEP 40



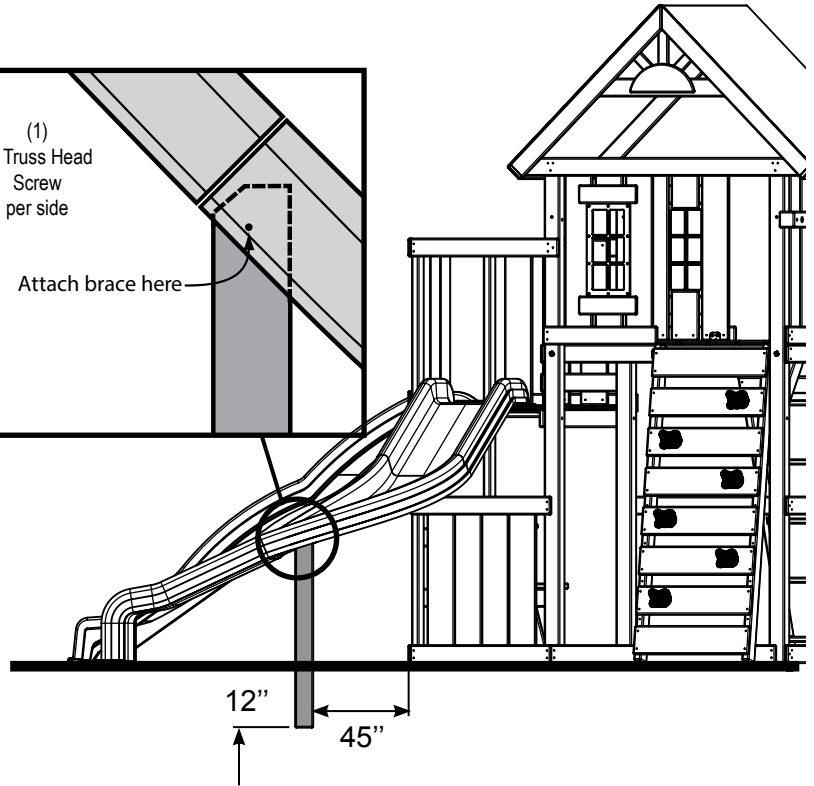
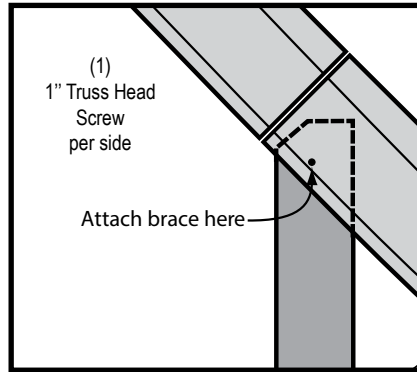
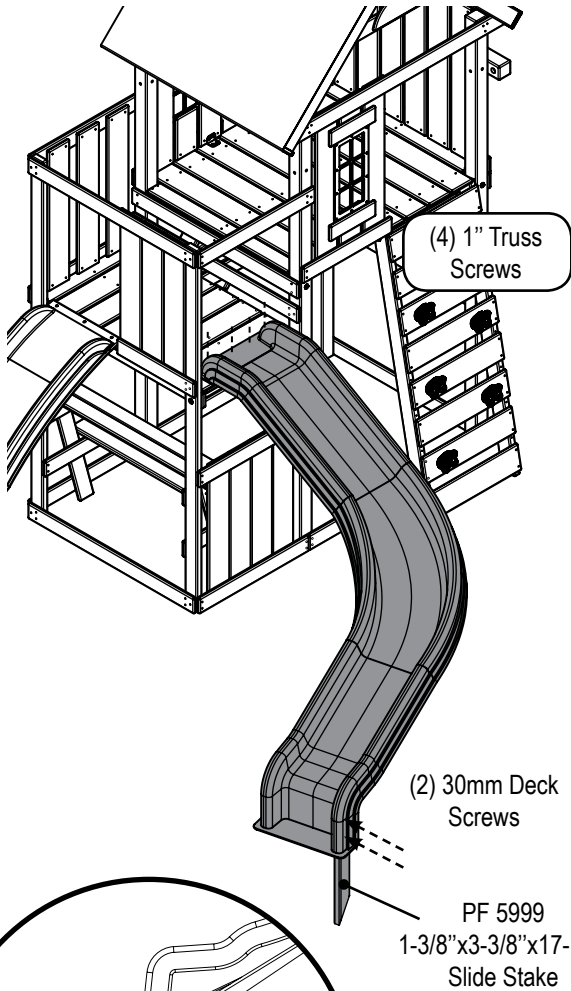
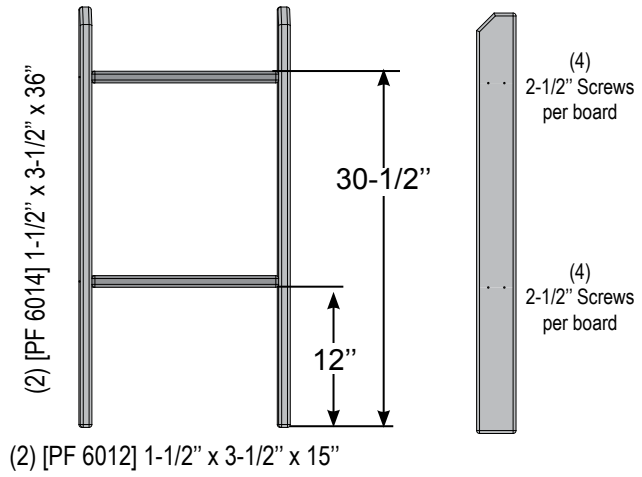
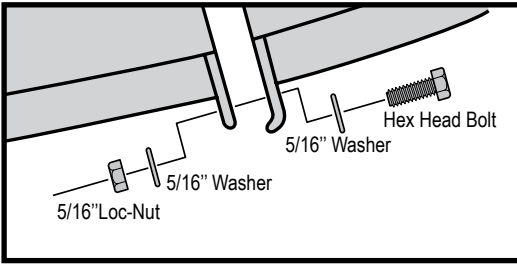
1. Attach Climbing Rocks as shown.

STEP 41

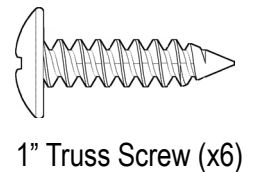
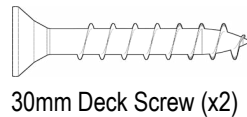
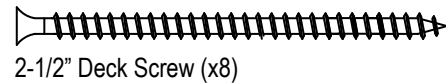
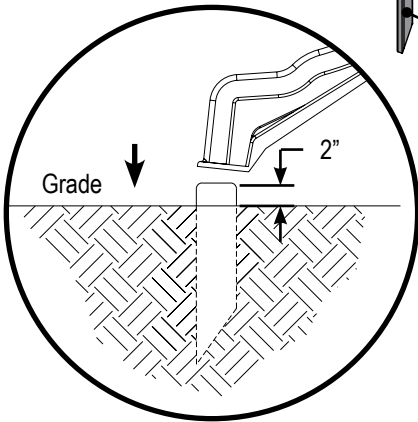


1. Attach Slide Support Boards and Slide as shown.

**STEP 42**

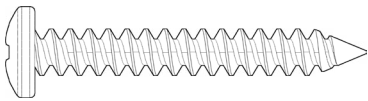
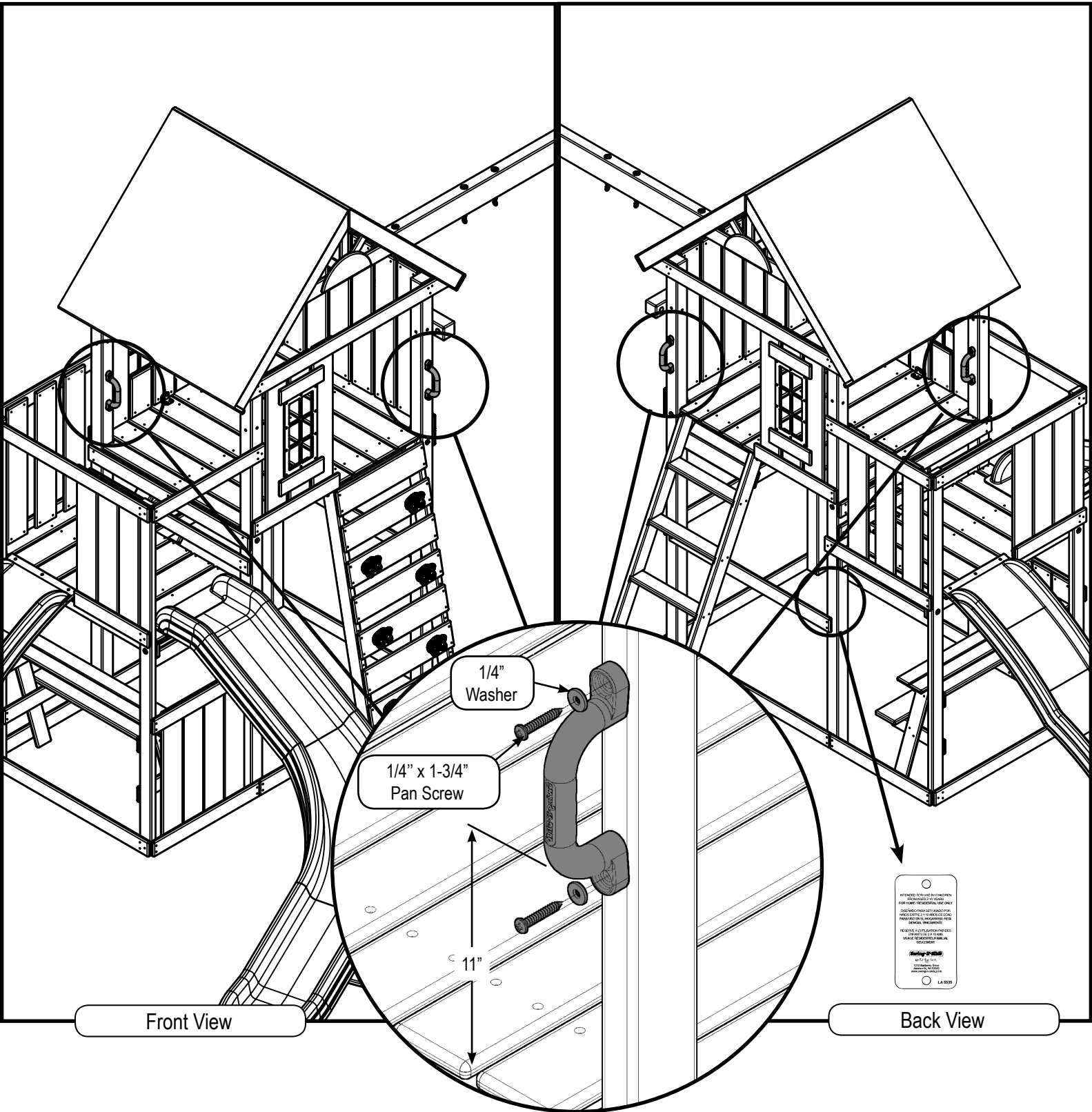


PF 5999  
1-3/8" x 3-3/8" x 17-1/4"  
Slide Stake

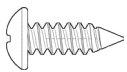


1. Assemble the slide support using three (3) 2-1/2" Deck Screws at each joint, as shown.
2. Assemble the slide halves with a bolt, 2 washers and loc nut at each hole as shown.
3. Line up slide 90° to the platform 2-1/2" from the edge of the deck and secure slide in place using (3) 1" Truss Head Screws as shown.
4. After the slide is attached to the platform, attach the slide support to the bottom half of the slide using (1) 1" Truss Head screw per side as shown. Square the support to the ground and bury the ends of the brace. NOTE: The bottom cross support should rest firmly on the ground.
5. Prepare a level area of ground where the bottom of the slide rests 2" below grade.
6. Mark where the slide's bottom center meets the ground and drive a 1-3/8" x 3-3/8" x 17-1/4" stake until its top is flush to the grade prepared in Step 5.
7. Using a 1/8" drill bit, drill a pilot hole through the bottom lip of the slide and into the stake, and attach using (1) 1" Truss Head screw as shown. NOTE: Be careful to drill into the center of the stake's end. Level grade around the base making sure the screw head is buried and presents no hazard.

STEP 43



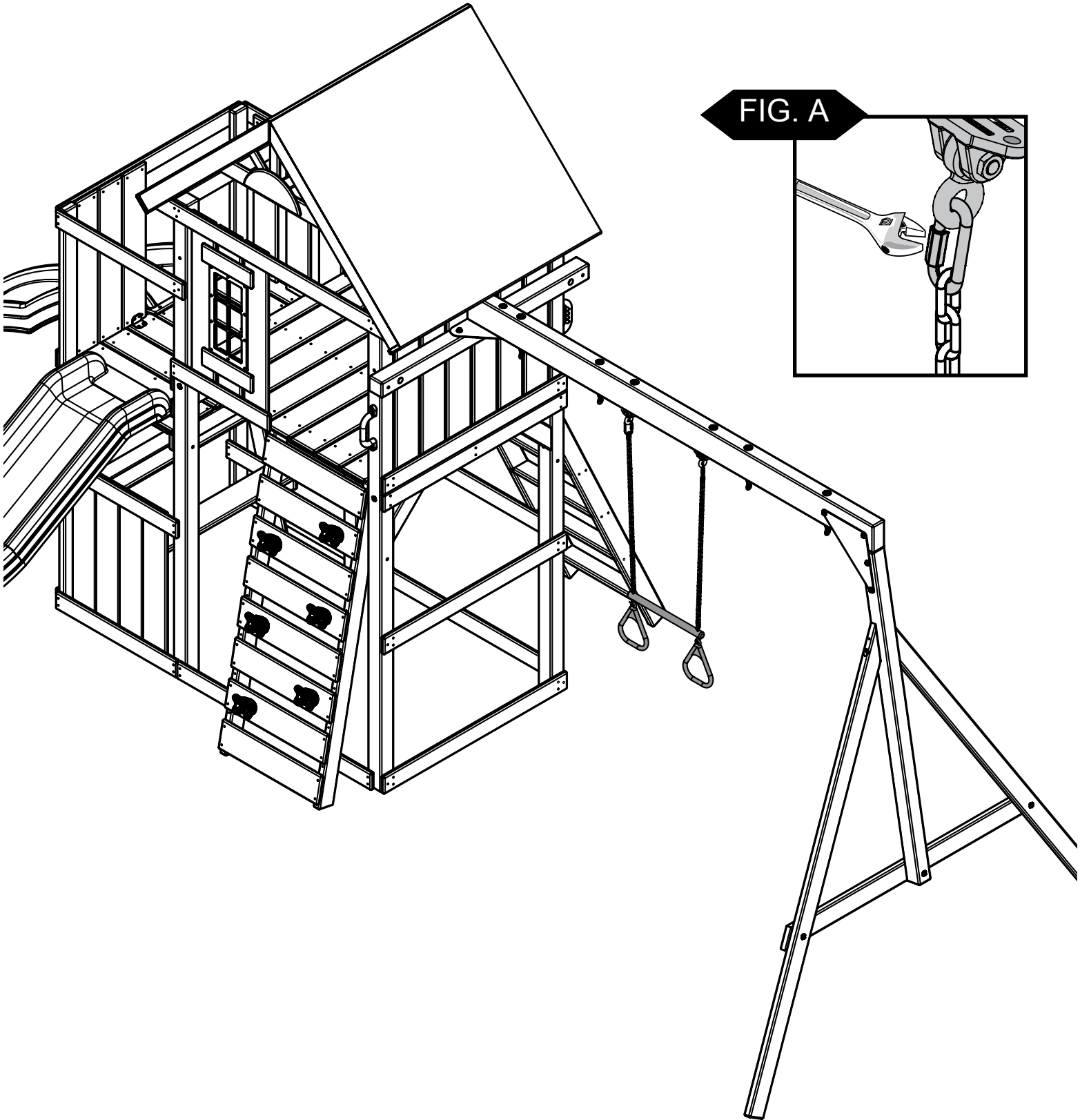
1-3/4" Pan Screw (x2)



1/2" Pan Screw (x2)

1. Attach Safety Handle and I.D. Tag as shown.

STEP 44



**HD Ring-Trap Combo Assembly**

1. Attach Ring-Trap Chain to Swing Hanger as shown in (Fig. A).
2. Tighten Quick Link to secure chains to Swing Hangers as shown in (Fig. A).



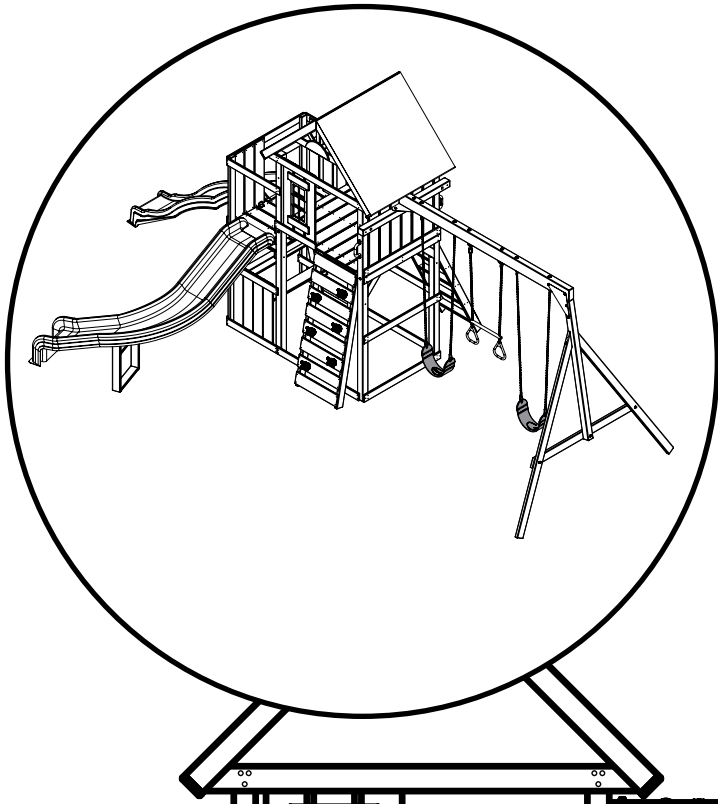
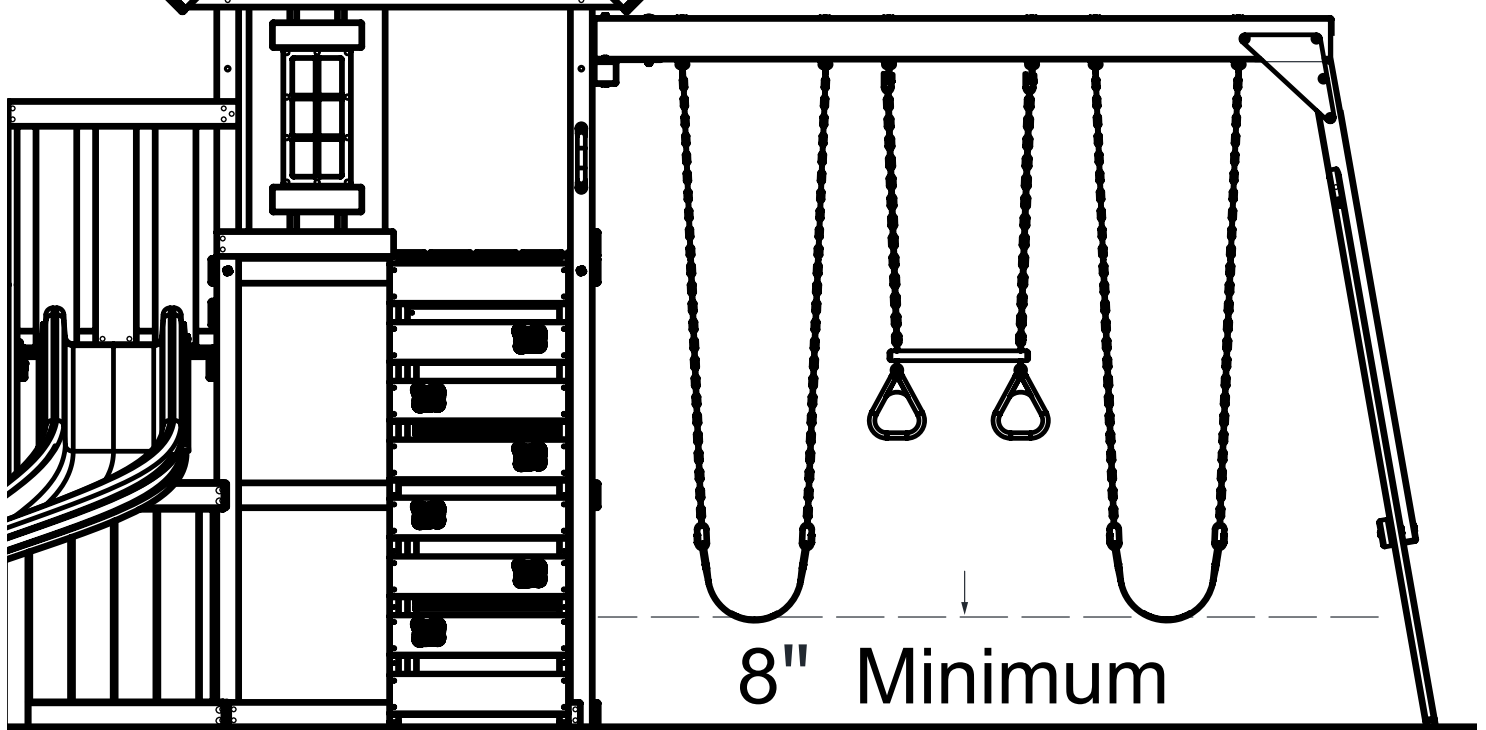
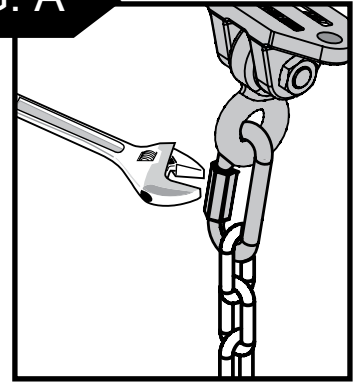


FIG. A

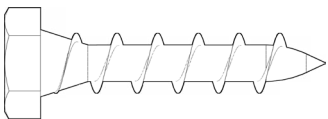
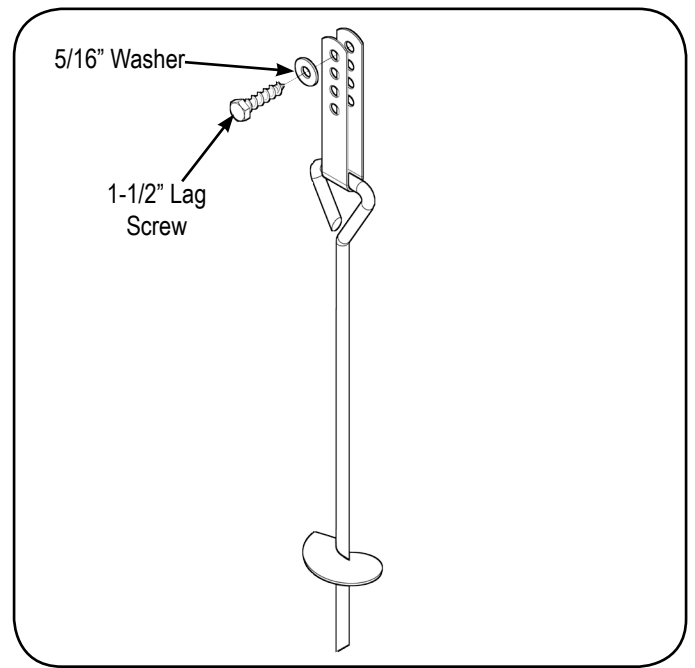
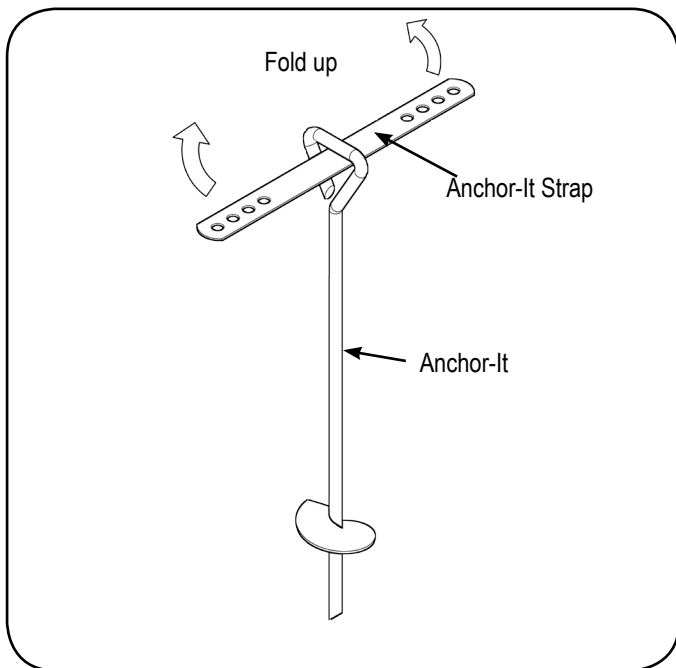
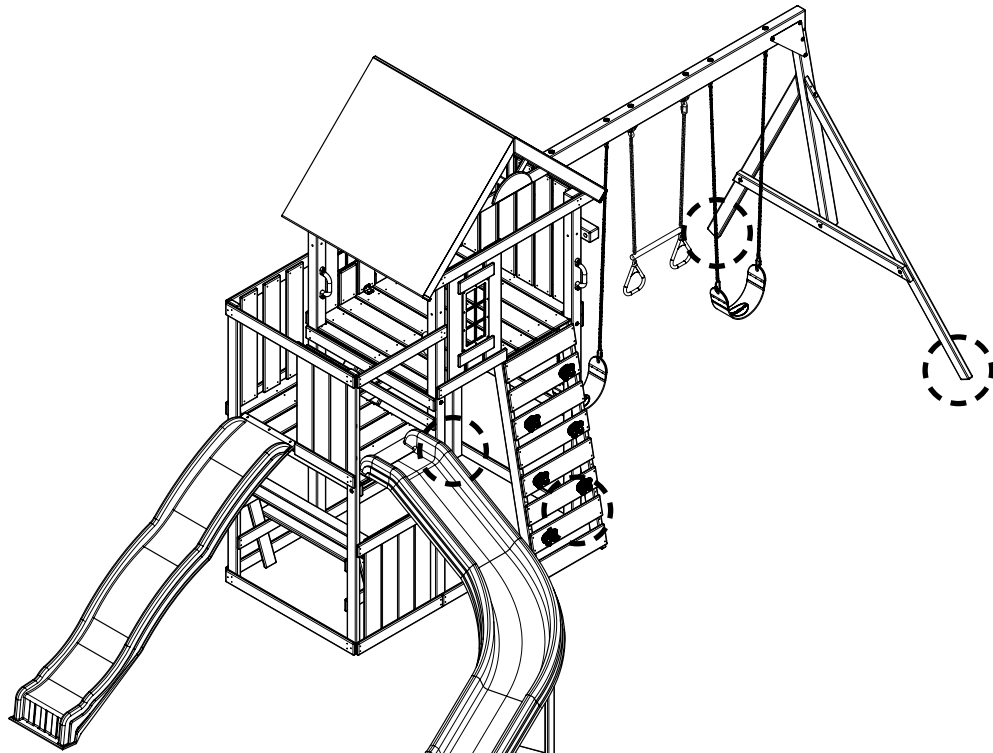


### HD Swing Seats

1. Attach Chain to Swing Hanger as shown in (Fig. A).
2. Tighten Quick Link to secure chains to Swing Hangers as shown in (Fig. A).

**NOTE:** Once installed, there must be a minimum 8" clearance between the bottom of the swings and the surfacing.

## STEP 46



5/16" x 1-1/2" Lag Screw (x4)

1. Place swing set in final location and mount Anchor-It(s) at locations circled above.
2. Twist the Anchor-It into the ground until only the loop is exposed.
3. Place Anchor-It Strap thru loop, fold the ends together and attach to the unit as shown.

**Note: Keep as little play as possible using any of the holes in the strap that work best.**

**TIP:** When installing Anchor-Its in rocky or hard soil, create a starter hole at the desired locations using either a 16" Concrete Drill Bit, or a long screw driver then insert and install the Anchor-Its as shown. This will allow you to get traction with the Anchor-It faster and allow the device to seat more securely.



# Swing-N-Slide® MANUFACTURERS LIMITED WARRANTY

## WARRANTY REGISTRATION

Please complete your warranty registration to properly validate your warranty.

Register your product online at: [www.OnlineWarranty.net](http://www.OnlineWarranty.net)

---

**Swing-N-Slide®** takes great pride in the quality and durability of our products. Our Manufacturer's Limited Warranty provides confidence and demonstrates our commitment to providing quality residential playground products.

---

## MANUFACTURER'S LIFETIME LIMITED WARRANTY

**Swing-N-Slide®** warrants its thermoformed slides and climbing mountains to be free from defects in workmanship and materials, under normal use and conditions, for the lifetime of the product.

## MANUFACTURER'S 5 YEAR LIMITED WARRANTY

**Swing-N-Slide®** warrants its Custom Ready-to-Build Play Set kits and accessories to be free from defects in workmanship and materials, under normal use and conditions, or a period of 5 years.

## MANUFACTURER'S 5 YEAR LIMITED WARRANTY

**Swing-N-Slide®** warrants its No-Cut and Wood Complete Ready-to-Assemble Play Set kits against wood rot and termite damage, and to be free from defects in workmanship and materials, under normal use and conditions, for a period of 5 years for structural wood components.

**Cosmetic defects** that do not affect the structural integrity of the product, or natural defects of wood such as warping, splitting, checking, twisting, shrinkage, swelling or any other physical properties of wood that do not present a safety hazard, are not covered by this warranty.

## MANUFACTURER'S ONE YEAR WARRANTY

**Swing-N-Slide®** warrants its canopy roofs and/or tarps, playhouses and Timber GLOVE lumber wrap to be free from defects in workmanship and materials, under normal use and conditions, for a period of one year.

**Swing-N-Slide®** will repair, or at its discretion, replace any part within the stated warranty period which is defective in workmanship or materials. This decision is subject to verification of the defect upon delivery of the defective part to Swing-N-Slide® at 1212 Barberry Drive, Janesville, Wisconsin, 53545. Any part(s) returned to Swing-N-Slide® must have prior approved Return Authorization Number and proof of purchase, including the date of purchase. This warranty is valid only if the product is used for the purpose for which it was designed and installed at a residential, single family dwelling. This warranty is void if the product is put to commercial or institutional use. This warranty does not cover (a) products which have been damaged by acts of Nature, negligence, misuse, or accident, or which have been modified or repaired by unauthorized persons; (b) the cost of labor; or the cost of shipping the product, any part, or any replacement product or part.

**Swing-N-Slide®** DISCLAIMS ALL OTHER REPRESENTATIONS AND WARRANTIES OF ANY KIND, EXPRESS, IMPLIED, STATUTORY OR OTHERWISE, INCLUDING THE IMPLIED WARRANTIES OF MERCHANTABILITY AND FITNESS FOR A PARTICULAR PURPOSE. Swing-N-Slide® WILL NOT BE LIABLE FOR ANY INCIDENTAL OR CONSEQUENTIAL DAMAGES. This warranty is non-transferable and does not extend to the owners of the product subsequent to the original purchaser. Some states do not allow limitations on implied warranties or exclusion of incidental or consequential damages, so these restrictions may not be applicable to you. This warranty gives you specific legal rights. You may also have other rights, which vary from state to state.

## This warranty also does not apply to:

- Structures not erected, maintained or inspected in conformance with **Swing-N-Slide®** installation plans
- Structures that have had parts added or substituted not in conformance with **Swing-N-Slide®** installation plans
- Parts that have been modified, altered or misused
- Parts that have not been used as designed or intended
- Damage due to acts of Nature, vandalism, abnormal use or abuse as determined by **Swing-N-Slide®**

# **PRODUCT WARRANTY & REGISTRATION**

**Please register online to  
properly initiate your product  
warranty & registration**

## **Benefits of registering online:**

- Quick & simple from home or mobile
- Record your purchase in our system
  - Initiate product warranty
  - Improved customer support
- Notification of new product information

**Register your product online at  
[www.OnlineWarranty.net](http://www.OnlineWarranty.net)**



Got Questions? We've got answers!  
Call our Customer Support Representatives

**1-800-888-1232**

**Available Monday - Friday, 7am - 5pm (CST)**

Weekend support available April through July

**Technical support from experienced Swing-N-Slide customer service  
representatives who have actually built a swing set themselves.**