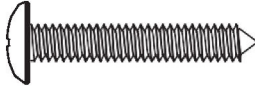
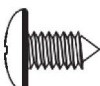


PARTS LIST		LISTE DES PIÈCES		LISTA DE PIEZAS			
Name Nom Nombre	Part Pièce Pieza	Qty Qté	Spare Épargner Sobrante	Name Nom Nombre	Part Pièce Pieza	Qty. Qt Cantidad	Spare Épargner Sobrante
A	Left Back Panel	1		K	Left Door	1	
B	Right Back	1		L	1-3/16" Wall	2	
C	Left Side	1		M	Wall Anchor	2	
D	Right Side	1		N	13/32" Screw	23	2
E	Kick Plate	1		O	Shelf Support	16	
F	Bottom Panel	1		P	Lock	1	
G	Top Rail	1		Q	Plastic Rod	2	
H	Top Panel	1		R	Rod	2	
I	Shelves	4		S	Door Pivot Pin	2	
J	Right Door	1		T	Shim	4	

SIZE COMPARISON CHART

L	1-3/16" Wall Anchor Screw Vis d' ancrage muraille 30mm Tornillo de anclaje a la pared 30mm	
N	13/32" Screw Vis 10mm Tornillo 10mm	




CAUTION

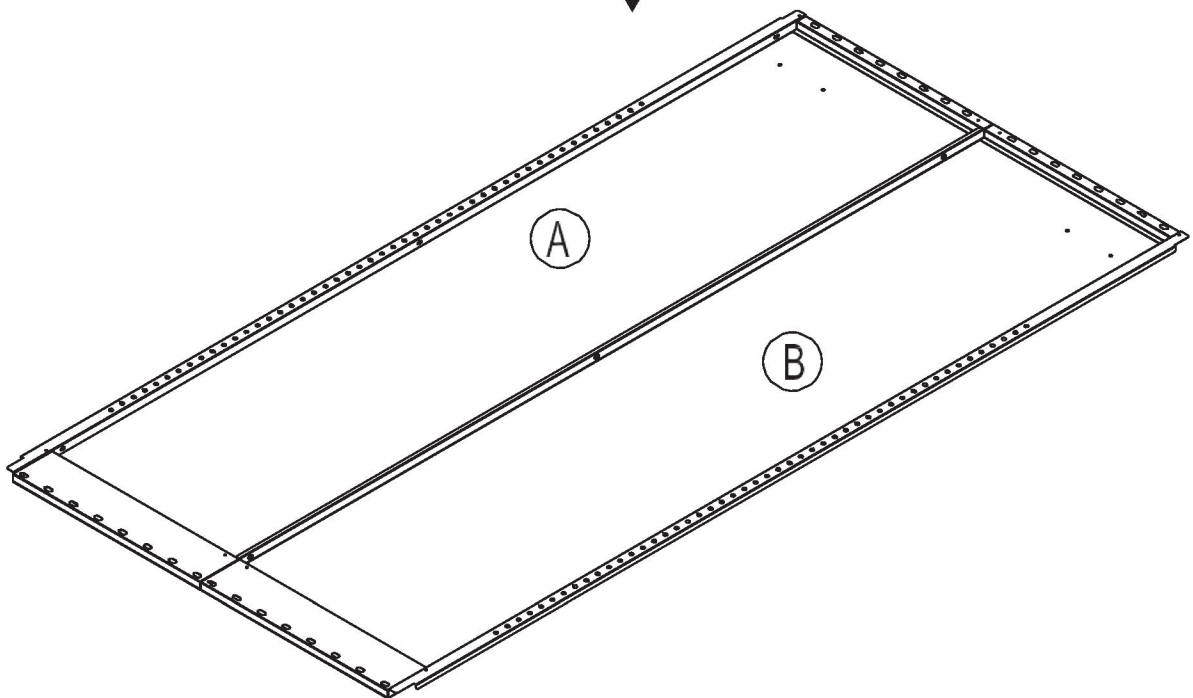
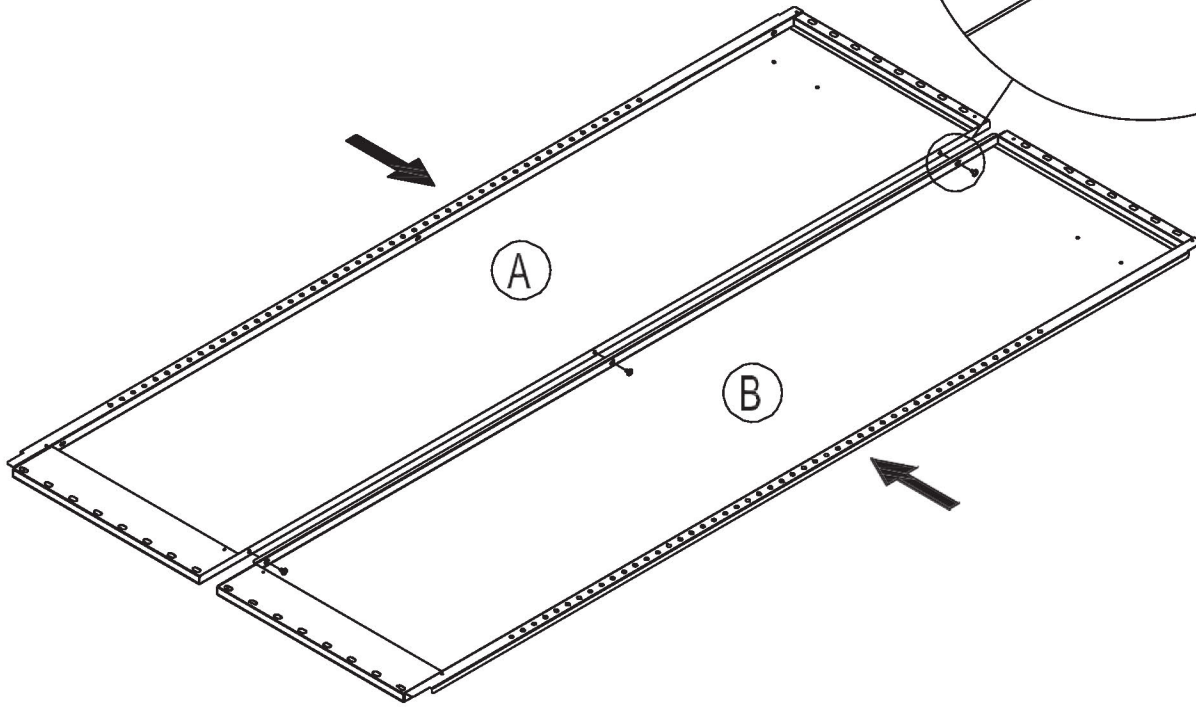
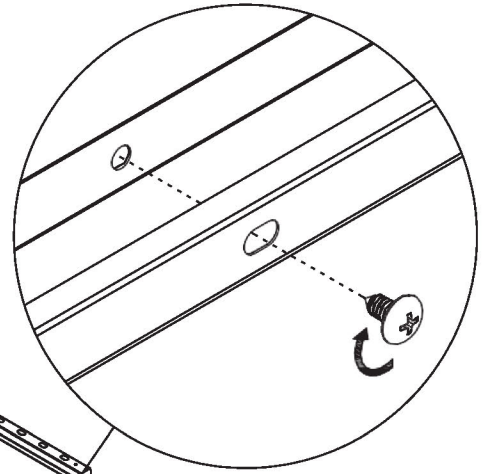
An assistant is required.

Es necesario un ayudante.


Un assistant est nécessaire.

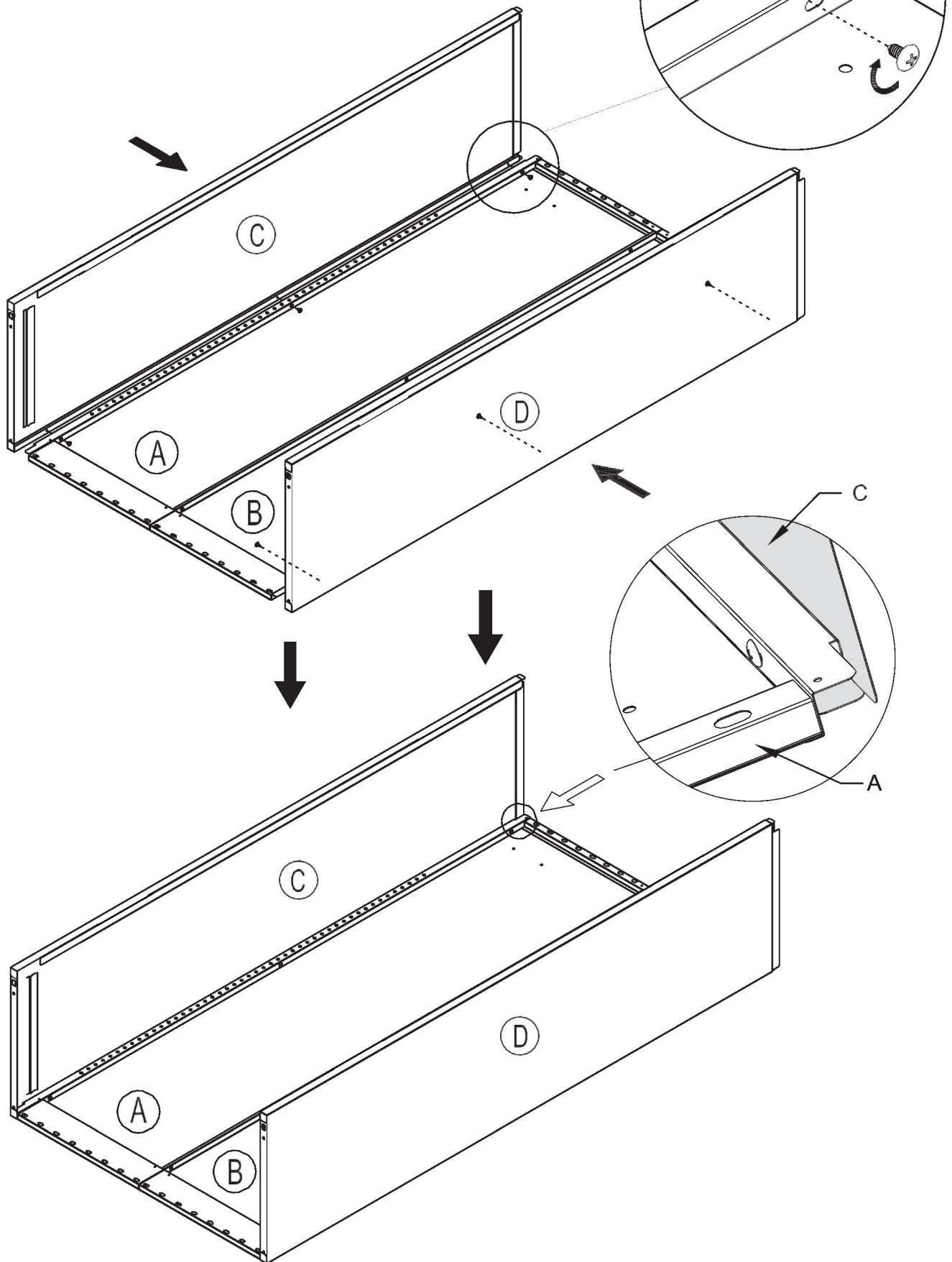
Step1

(N)  x 3



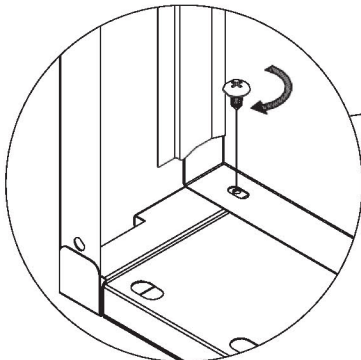
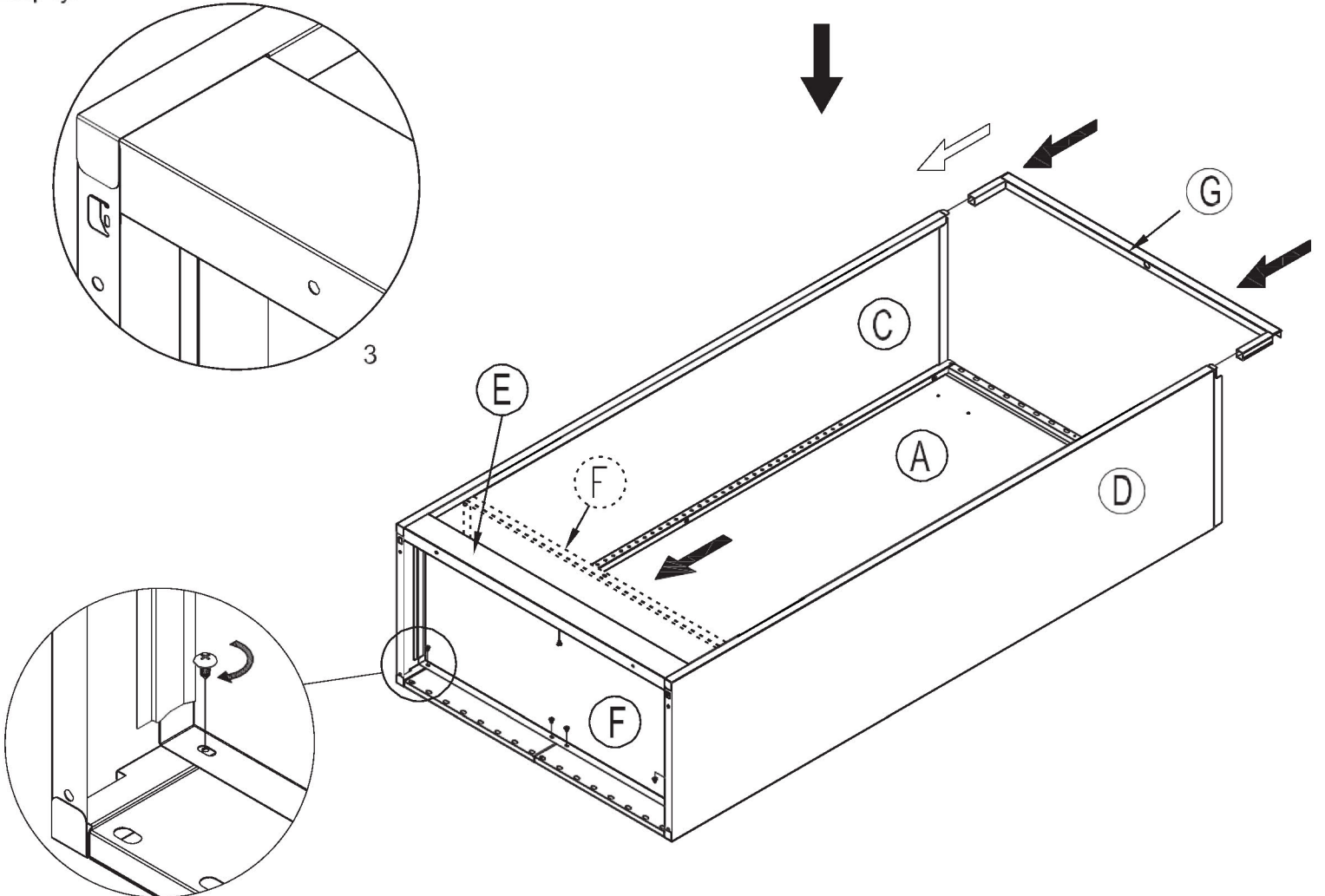
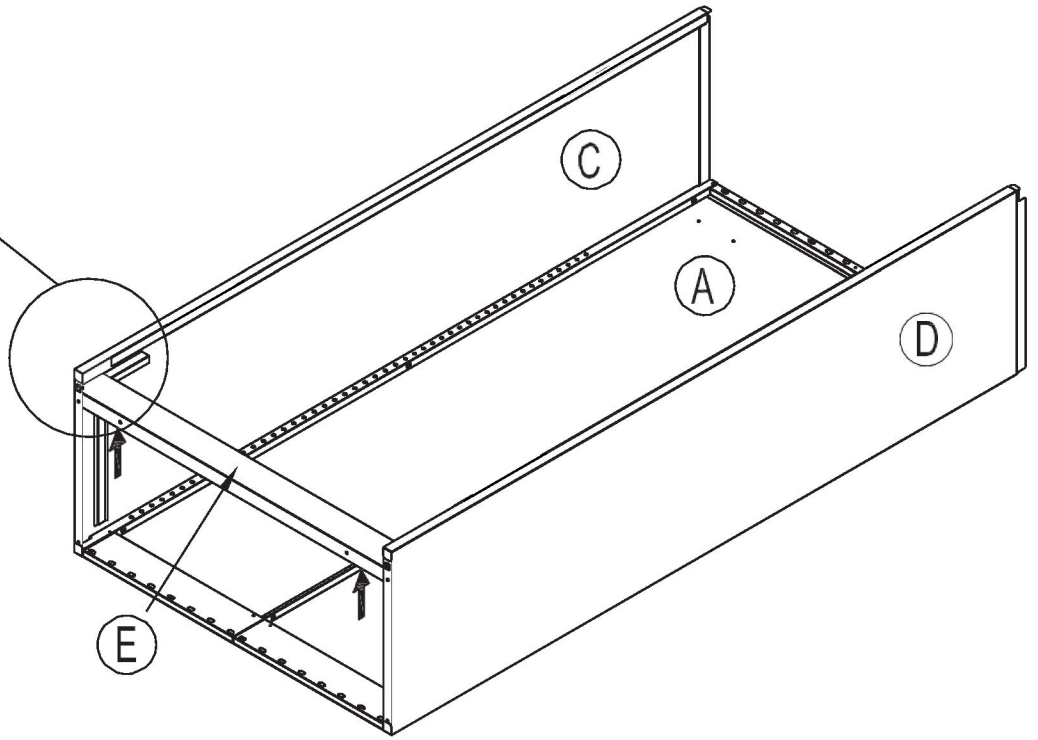
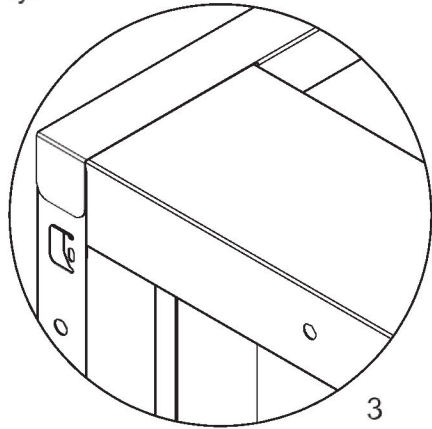
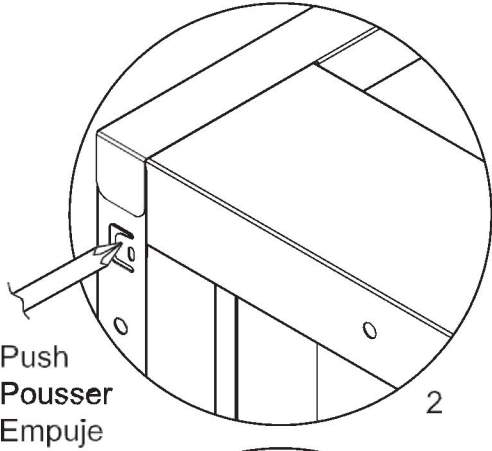
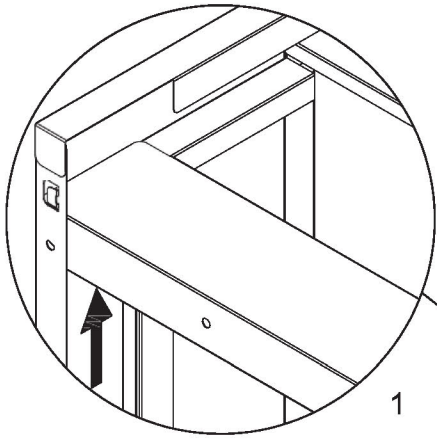
Step2

(N)  x 6

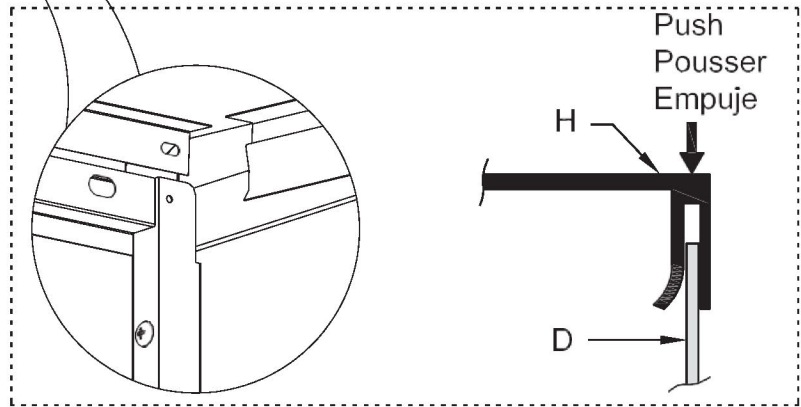
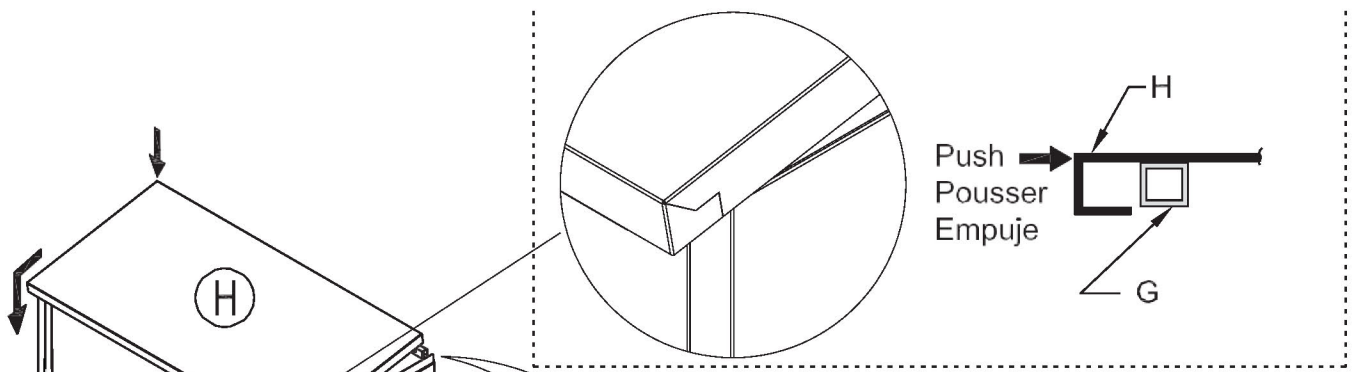


Step 3

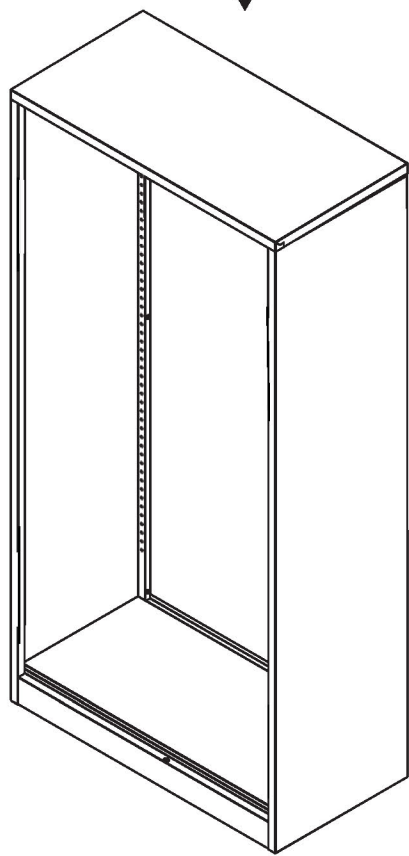
(N)  5



Step 4

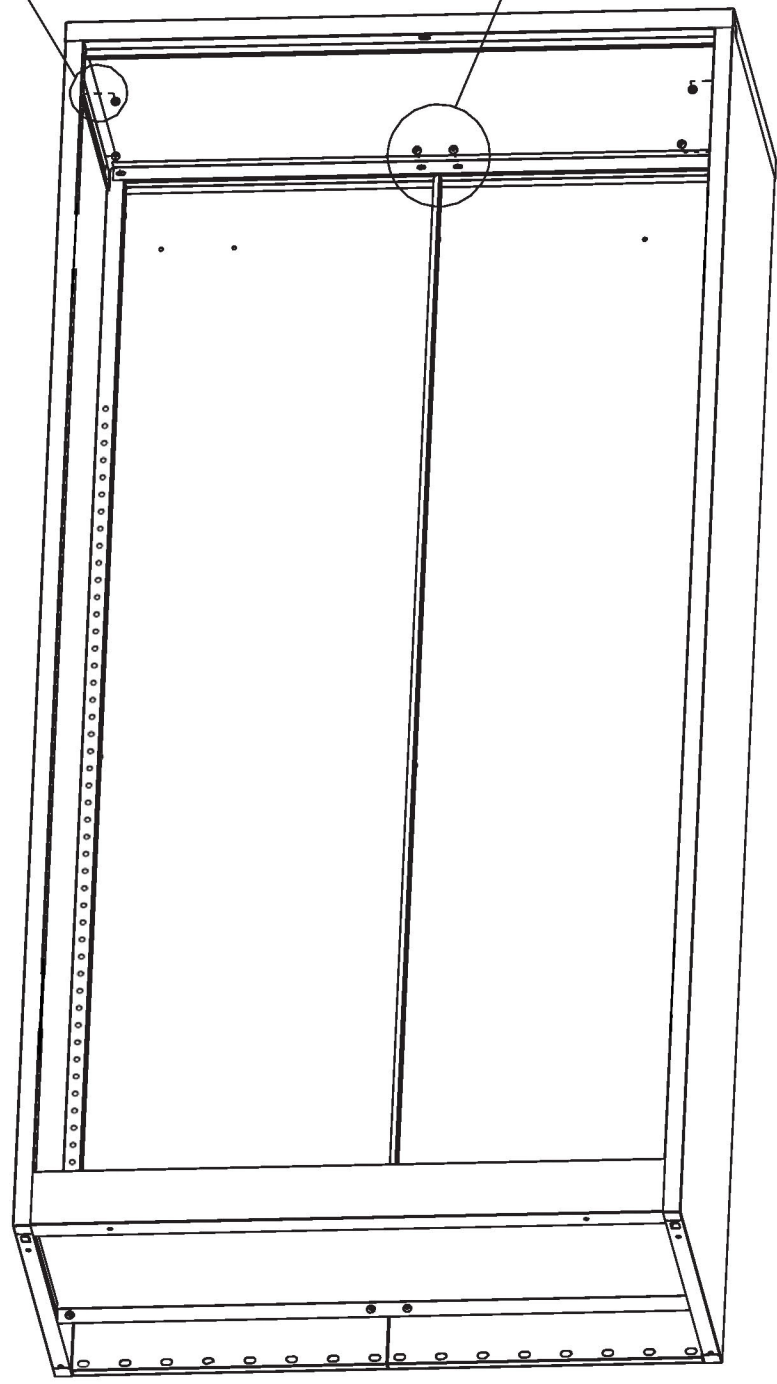
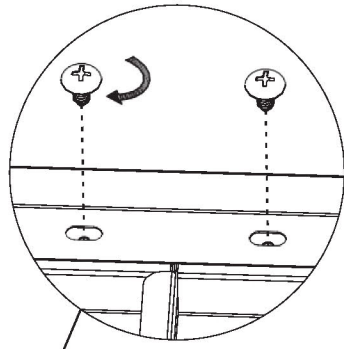
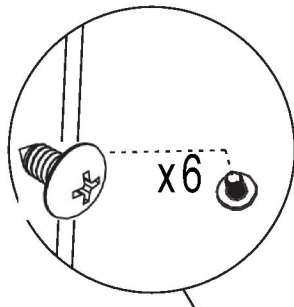


Back Corner Inside View
La vue intérieure de coin derrière
Vista interior de la esquina posterior



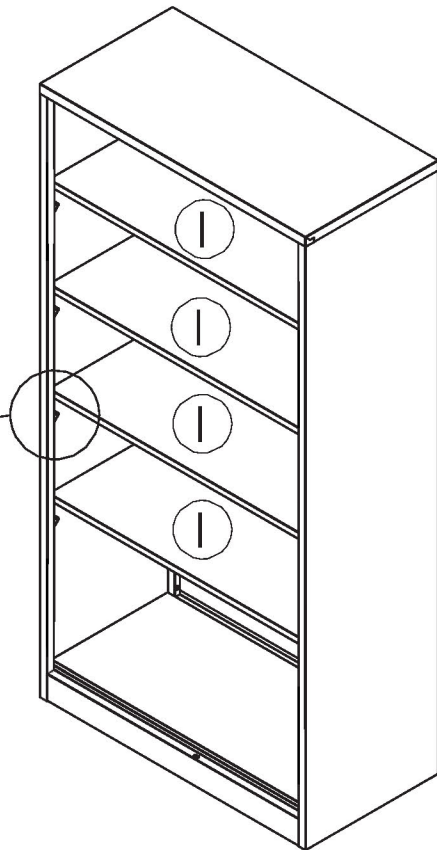
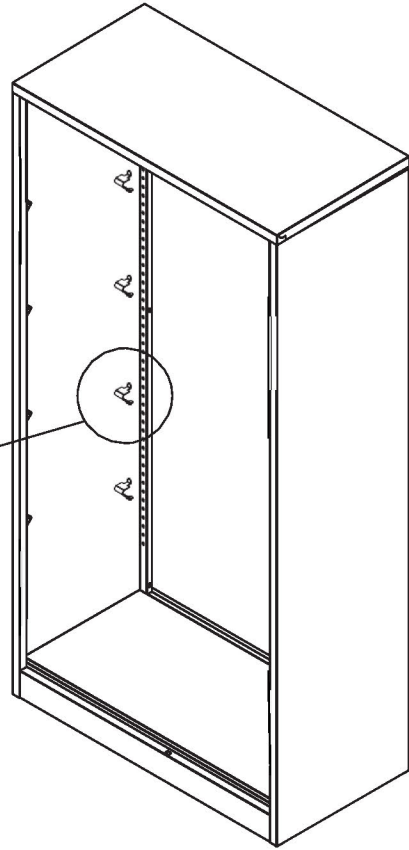
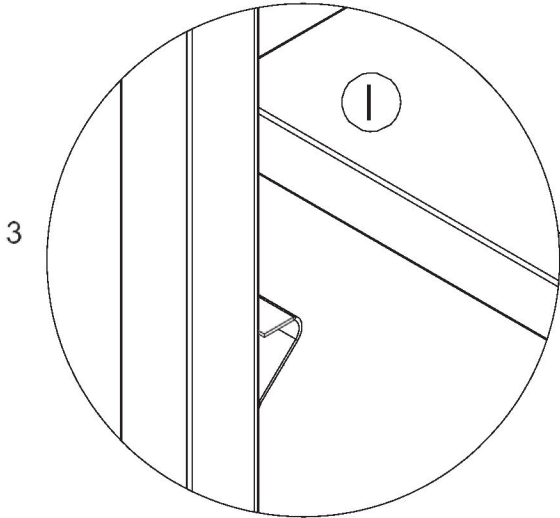
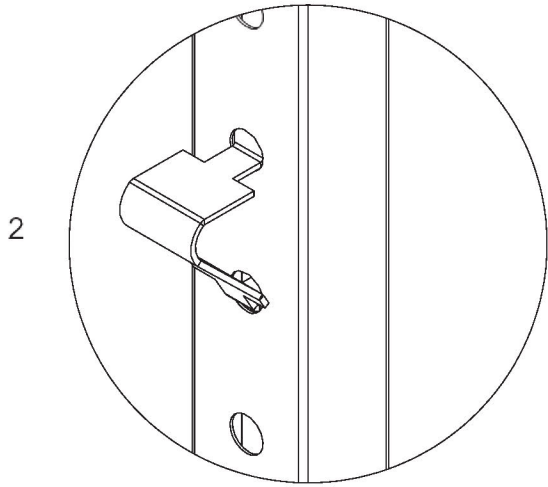
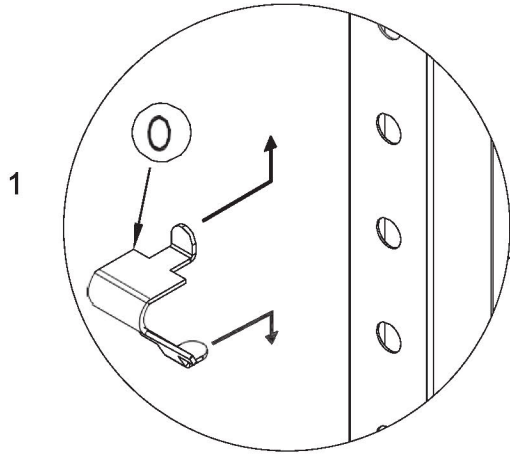
Step 5

N

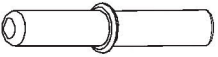


Step 6

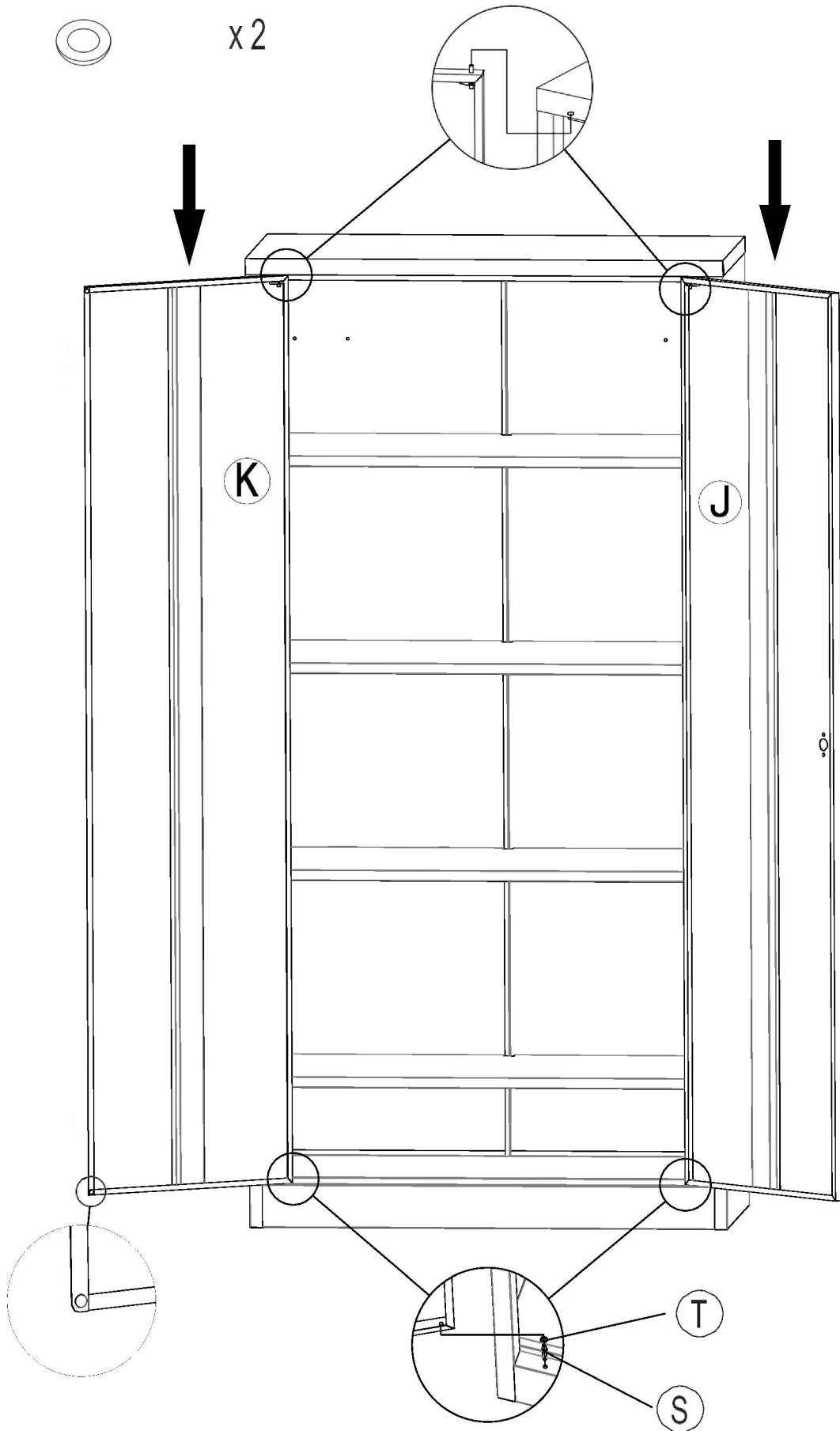
① x 8



Step 7

Ⓢ  x2

Ⓣ  x2

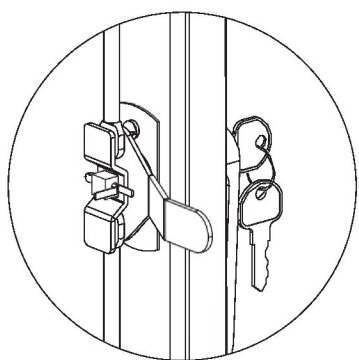
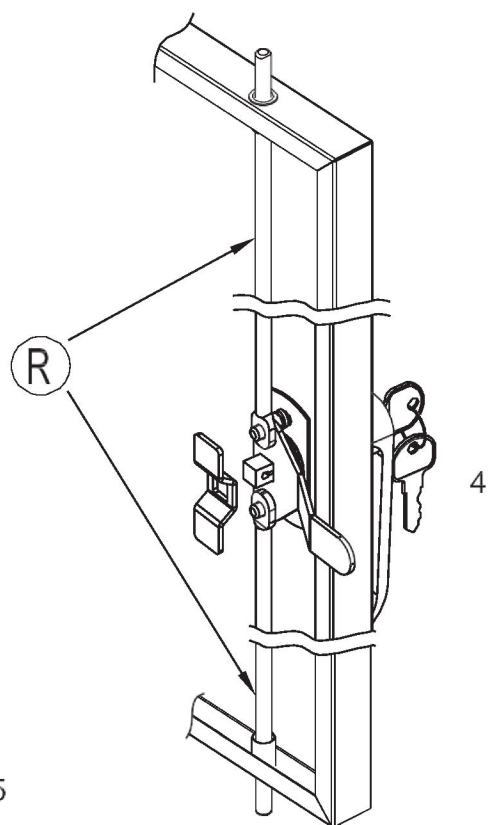
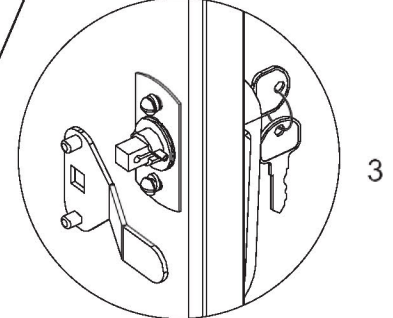
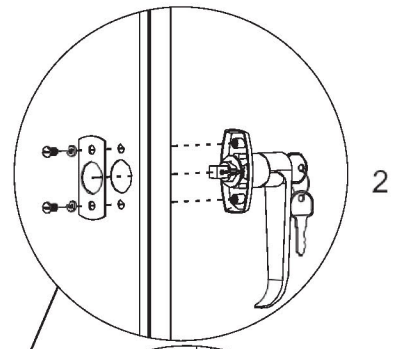
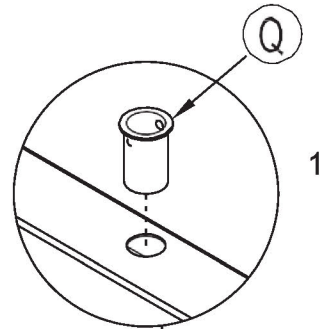
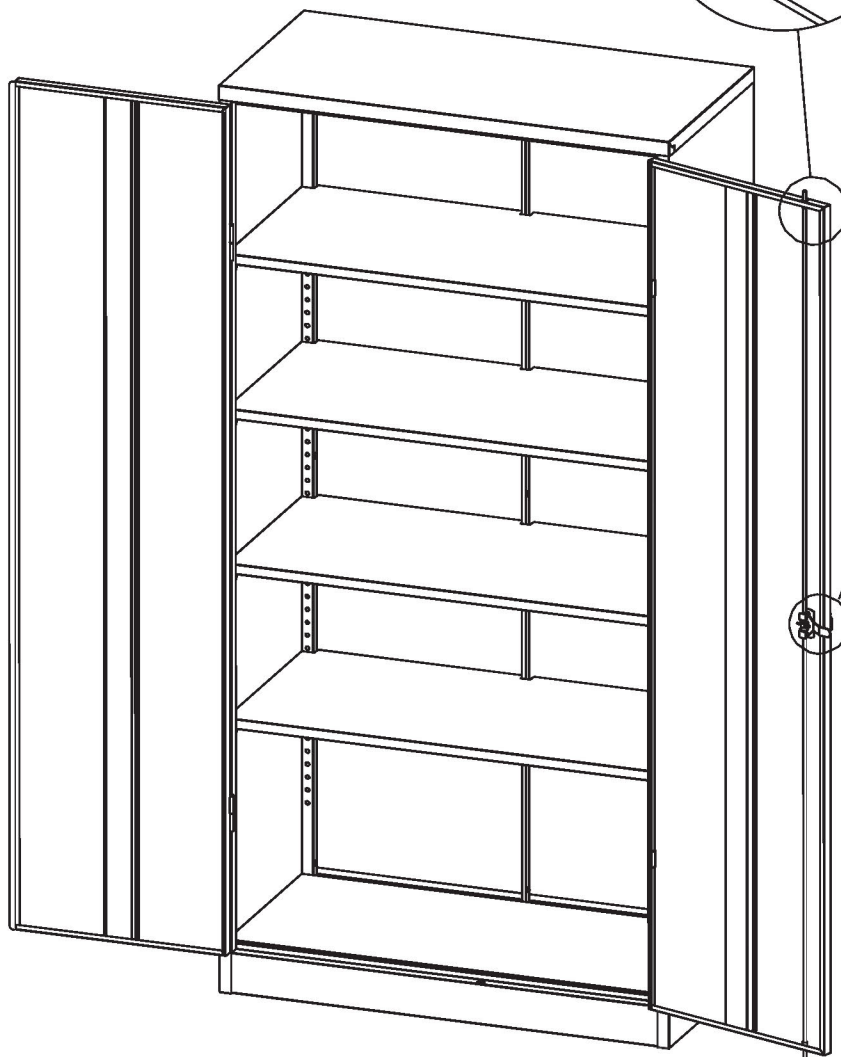


Step 8

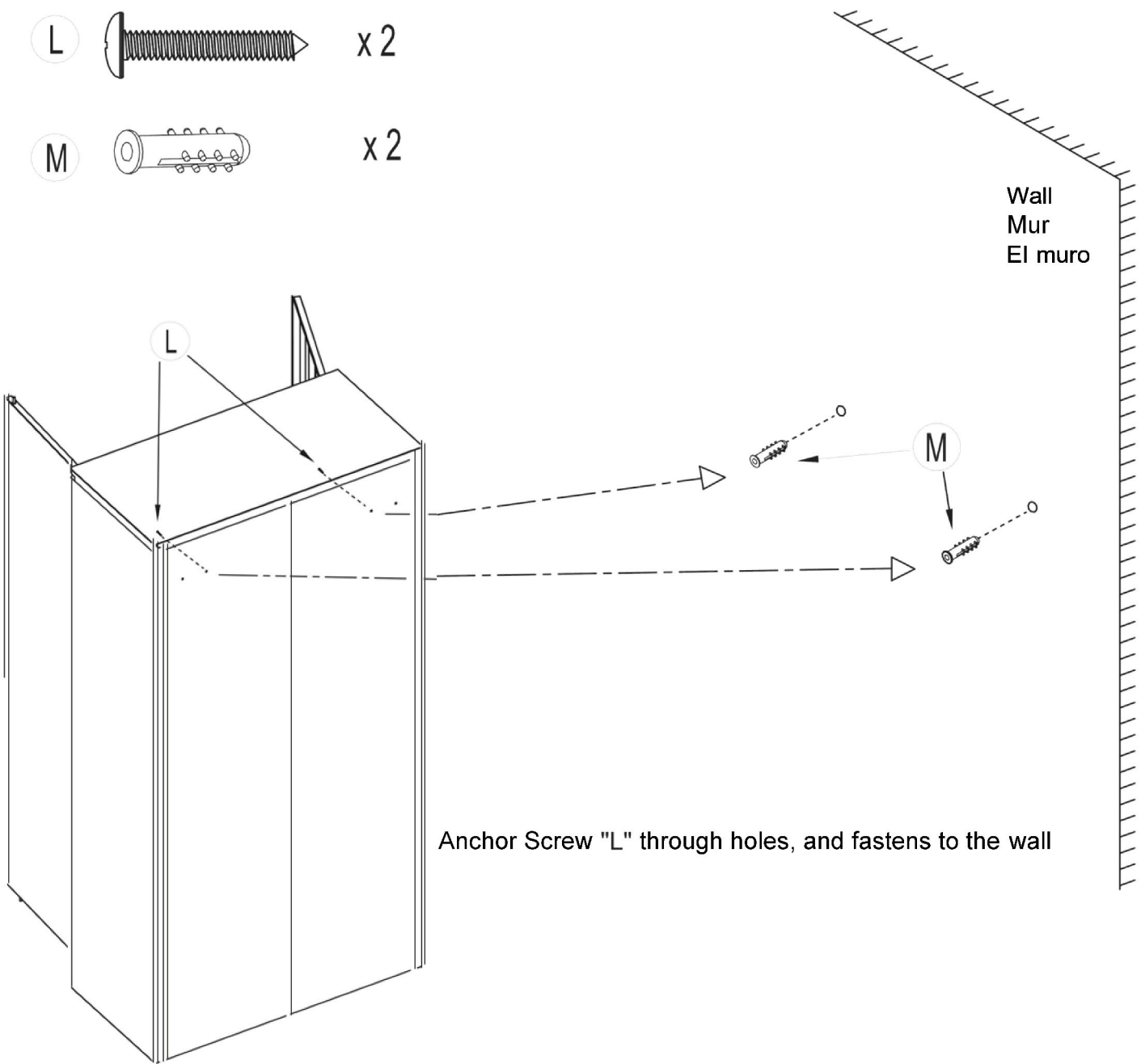
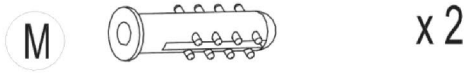
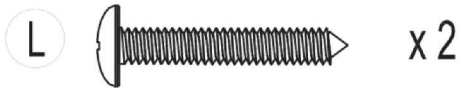
Q x2

P x1

R x2



Step 9



AFTER ASSEMBLY IS COMPLETE, THE UNIT MUST BE SECURED TO A WALL.

FAILURE to mount the unit to a wall, can create a TIPPING HAZARD.

A tipping hazard is dangerous to yourself and others. Use wall anchor hardware that properly suits the installation of mounting this unit to a wall

Step 10

This Product is designed for stationary use only.
Do not use it with any type of mobile cabinet conversion device.

