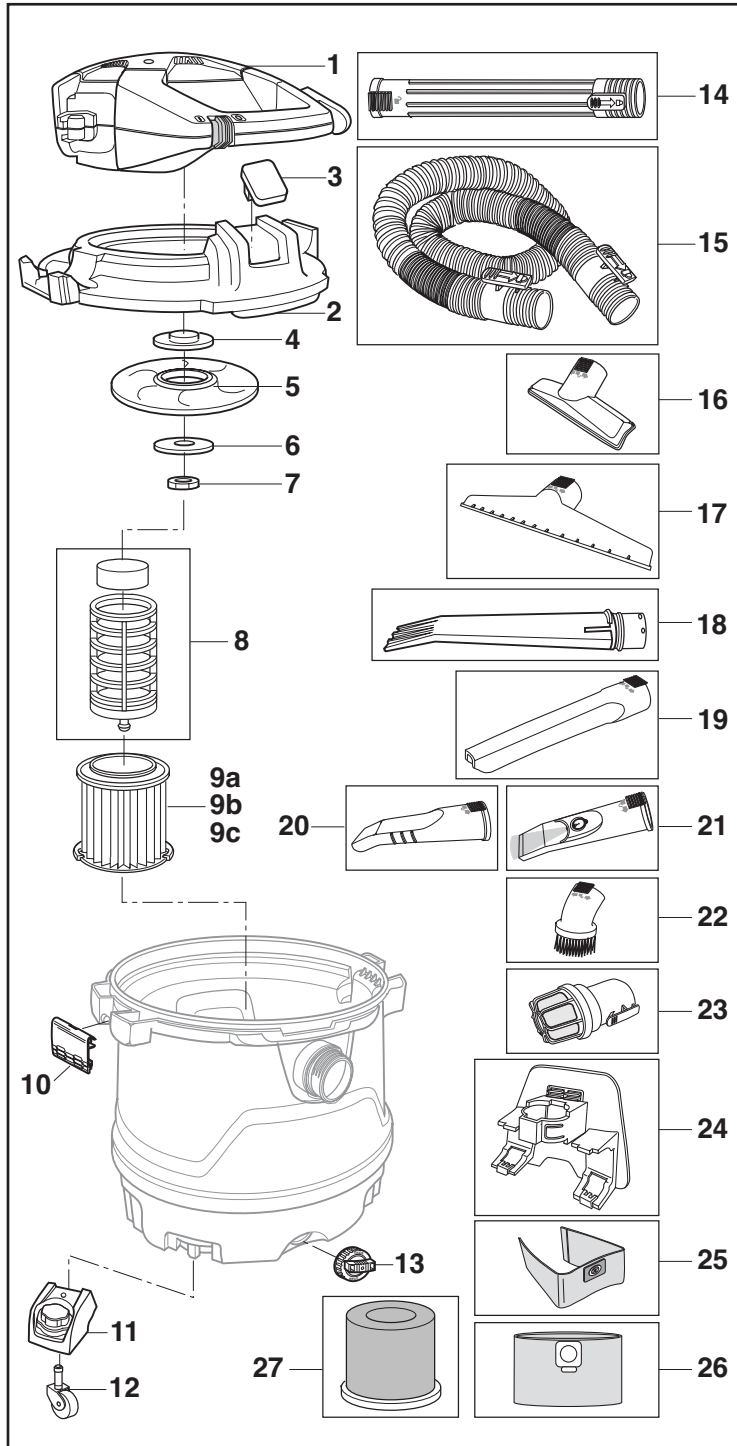


Model Number HD16000 16 U.S. Gallon (60 Liter) Detachable Wet/Dry Vac

Always order by Part Number - Not by Key Number



Key Nos.	16 Gallon HD16000 Part Numbers	Description
1	510118	Blower Assembly
2	842036	Detach Lid
3	826388	Detachable Blower Latch
4	818961	Spacer
5	818413	Blower Wheel
6	315534-1	Washer
7	826817	Nut, Hex Flange 5/16-18
8	510668	Filter Cage & Float
9a	VF4000	†Qwik Lock™ Filter
9b	VF5000	†Qwik Lock™ Fine Dust Filter
9c	VF6000	†Qwik Lock™ HEPA Media Filter
10	841700	Drum Latch
11	841561	Caster Foot w/Storage
12	73102	Caster (2" Diameter)
13	73185	Drain Cap
14	LA2508	†Extension Wand
15	LA2520	†Tug-A-Long Positive Locking Hose w/Dual-Flex™
16	LA2509	†Utility Nozzle (2-1/2")
17	LA2510	†Wet Nozzle (2-1/2")
18	833169	Blower Wand (2-1/2")
19	LA2502	†Crevice Tool (2-1/2")
20	LA2503	Car Nozzle (2-1/2")
21	LA2539	†Lighted Car Nozzle (2-1/2")
22	LA2501	†Dusting Brush (2-1/2")
23	LA2525	†Muffler Diffuser (2-1/2")
24	841803	Accessory Caddy
25	VF3502	†Dust Collection Bag
26	VF3602	†Premium Cyclonic Filter Bag with Locking Collar
27	VF7000	†Wet Filter

† These replacement parts are also available where you purchased your Vac.