

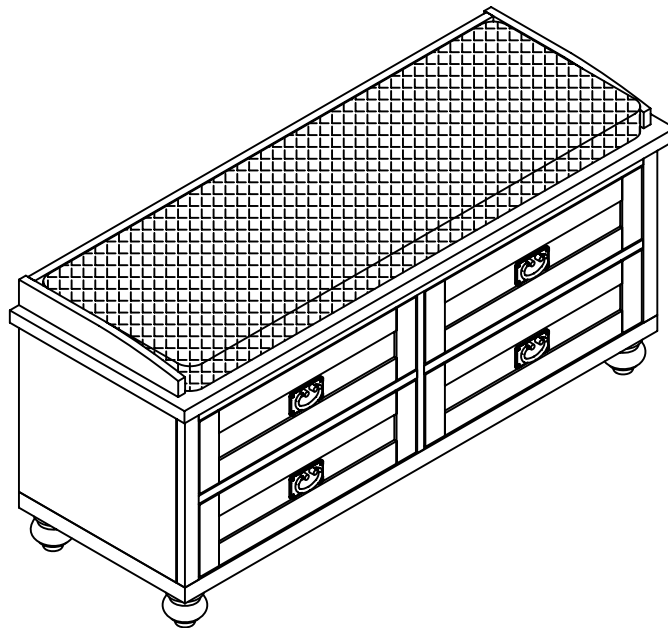
HOME DECORATORS COLLECTION

SK19004 VERNON STORAGE BENCH WITH 4 DRAWERS 21"Hx54"Wx16"D

INV#96089

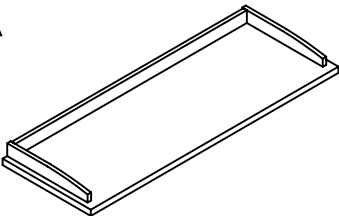
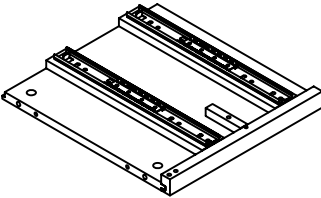
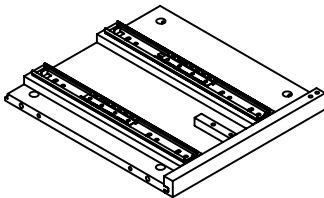
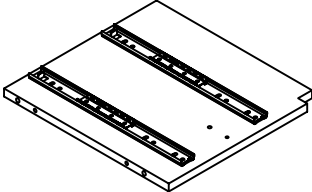
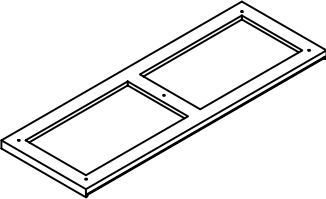
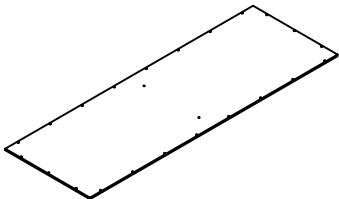
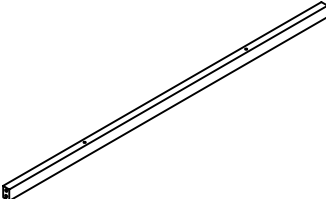
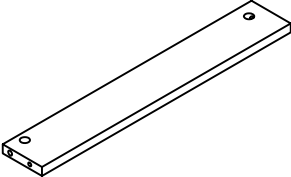
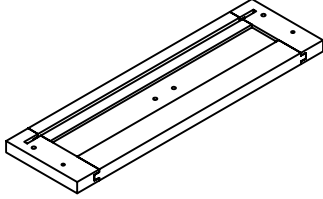
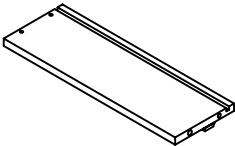
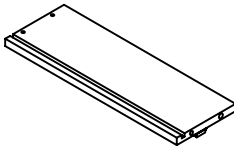
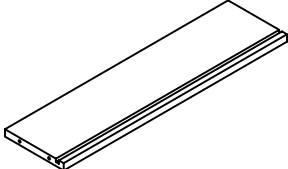
ASSEMBLY INSTRUCTIONS

Made In China

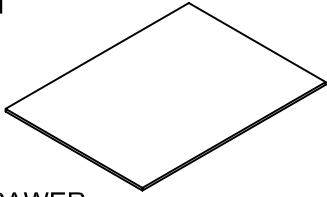


Thank you for purchasing this quality product. Be sure to check all packing material carefully for small parts, which may have come loose inside the carton during shipment. Count all parts and material hardware, then compare with parts list to be sure all parts are present. If any parts are missing or damaged, please contact our Customer Service Department for efficient and speedy service. Please indicate the model number and code letter of part(s) needed.

IMPORTANT NOTE: Follow instructions listed below in proper sequence as numbered to assure fast, easy and correct assembly.

PARTS LIST		
A 	B 	C 
TOP PANEL-1PC	LEFT SIDE PANEL-1PC	RIGHT SIDE PANEL-1PC
D 	E 	F 
PARTITION-1PC	BOTTOM PANEL-1PC	BACK PANEL-1PC
G 	H 	I 
TOP CROSS BAR-1PC	BOTTOM CROSS BRACE-2PCS	DRAWER FRONT PANEL-4PCS
J 	K 	L 
DRAWER LEFT SIDE PANEL-4PCS	DRAWER RIGHT SIDE PANEL-4PCS	DRAWER BACK PANEL-4PCS

M



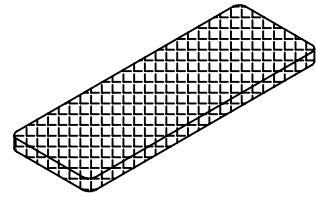
DRAWER
BOTTOM PANEL-4PCS

N



FOOT-5PCS

O



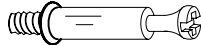
CUSHION-1PC

a



WOOD DOWEL-28PCS

b



CAM
LOCK BOLT-24PCS

c



CAM LOCK-24PCS

d



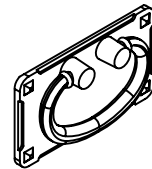
SHORT
PLASTIC COVER-8PCS

e



Ø5/32"X10mm BOLT-8PCS

f



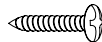
DRAWER HANDLE-4PCS

g



1" L FLAT
HEAD SCREW-18PCS

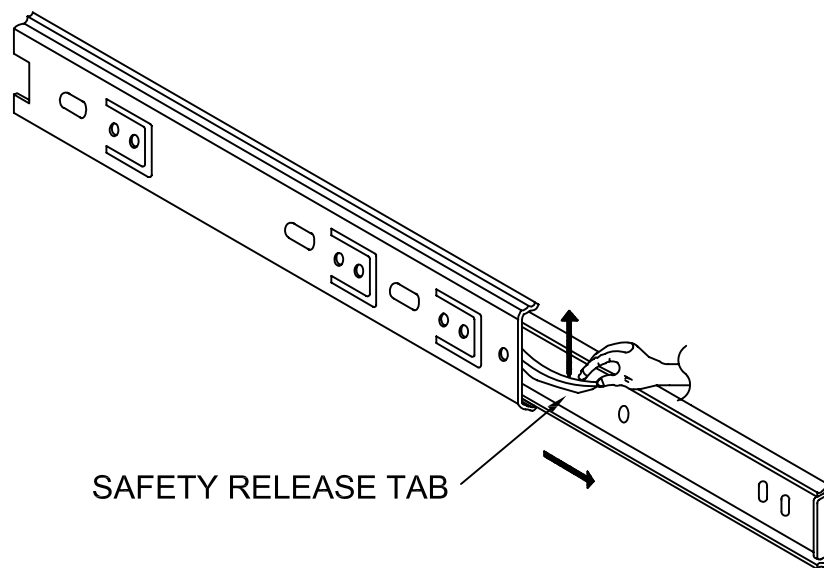
h



5/8" L ROUND
HEAD SCREW-24PCS

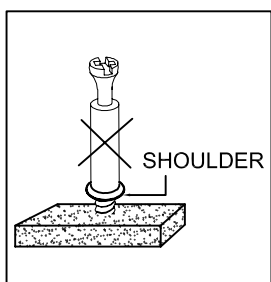
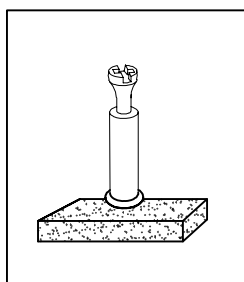
NOTE:THE SURFACE WITH THE STICKER IS THE BACK SIDE

HOW TO SEPARATE GLIDES



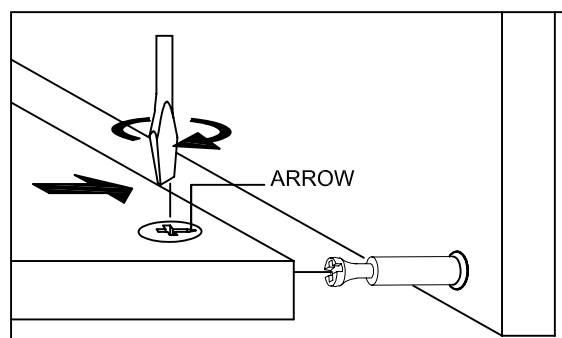
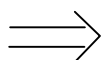
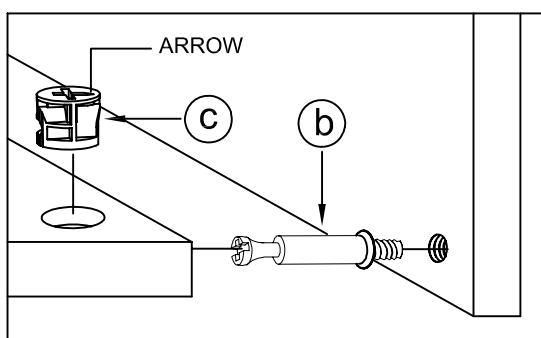
PRIOR TO ASSEMBLY, WE SUGGEST SEPARATING THE INNER GLIDES FROM THE OUTER-GLIDES, SIMPLY PULL THE LEFT/RIGHT INNER GLIDES FROM THE OUTER GLIDES EXPOSING A SMALL BLACK SAFETY RELEASE TAB, BY PUSHING THE SAFETY RELEASE TAB. YOU WILL BE ABLE TO SEPARATE THE GLIDES.

NOTE: • UPON OPENING, THOROUGHLY CLEAN ALL WOOD SURFACES TO REMOVE DUST AND DIRT THAT MAY HAVE SETTLED ONTO THE FINISH DURING SHIPMENT. IN ORDER TO PREVENT DAMAGE DURING ASSEMBLY. PLEASE ASSEMBLE THIS ITEM WITH AT LEAST TWO PEOPLE.



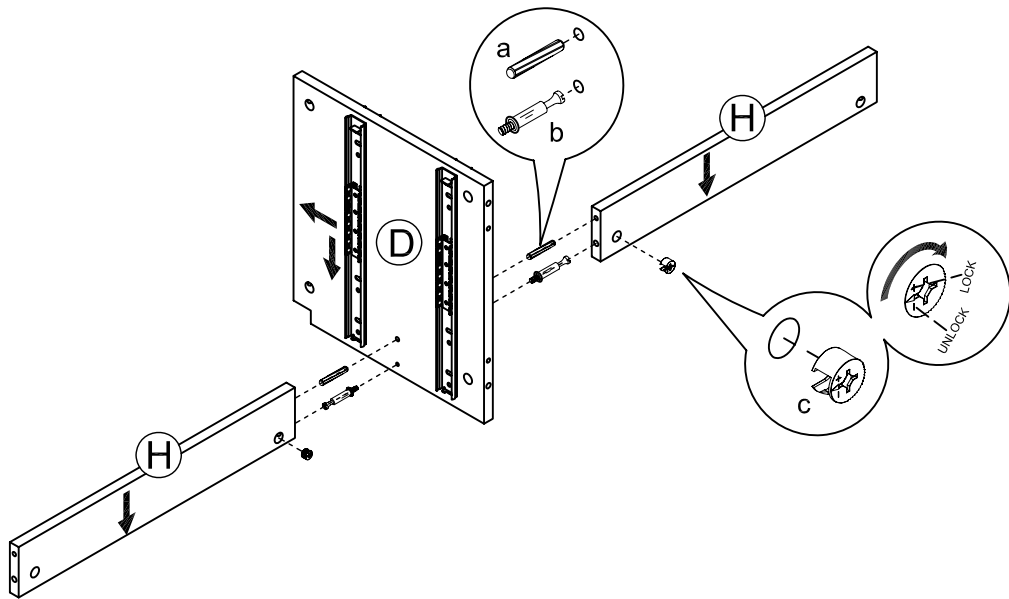
NOTE: TURN THE CAM-BOLT SCREWS UNTIL THEY ARE TIGHT, THE SHOULDER SHOULD BE AGAINST THE SURFACE OF THE PART.

HOW TO USE THE CAM-TOOL



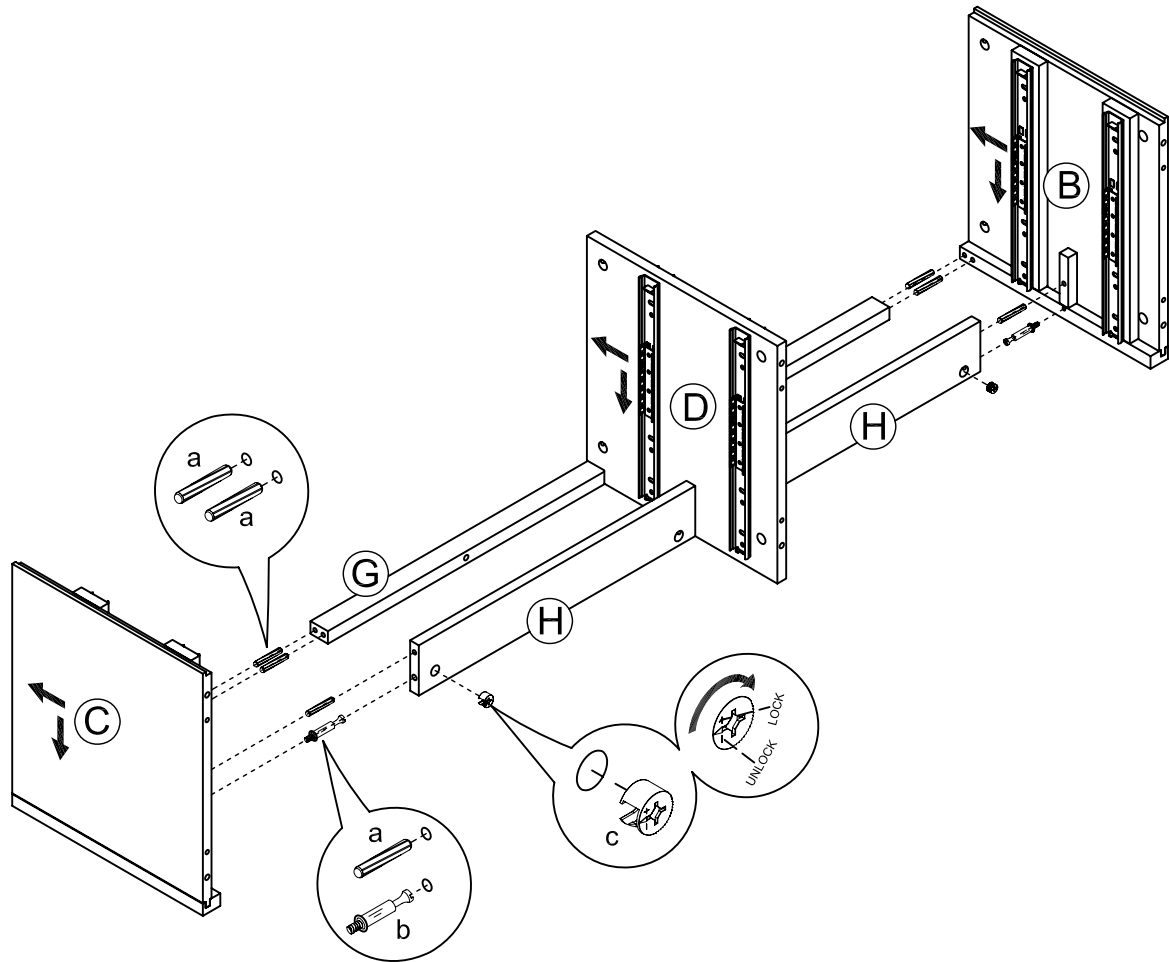
NOTE: • THE ARROWS ON THE HIDDEN CAM-LOCKS SHOULD POINT TO THE CAM-BOLTS.

FIG 1



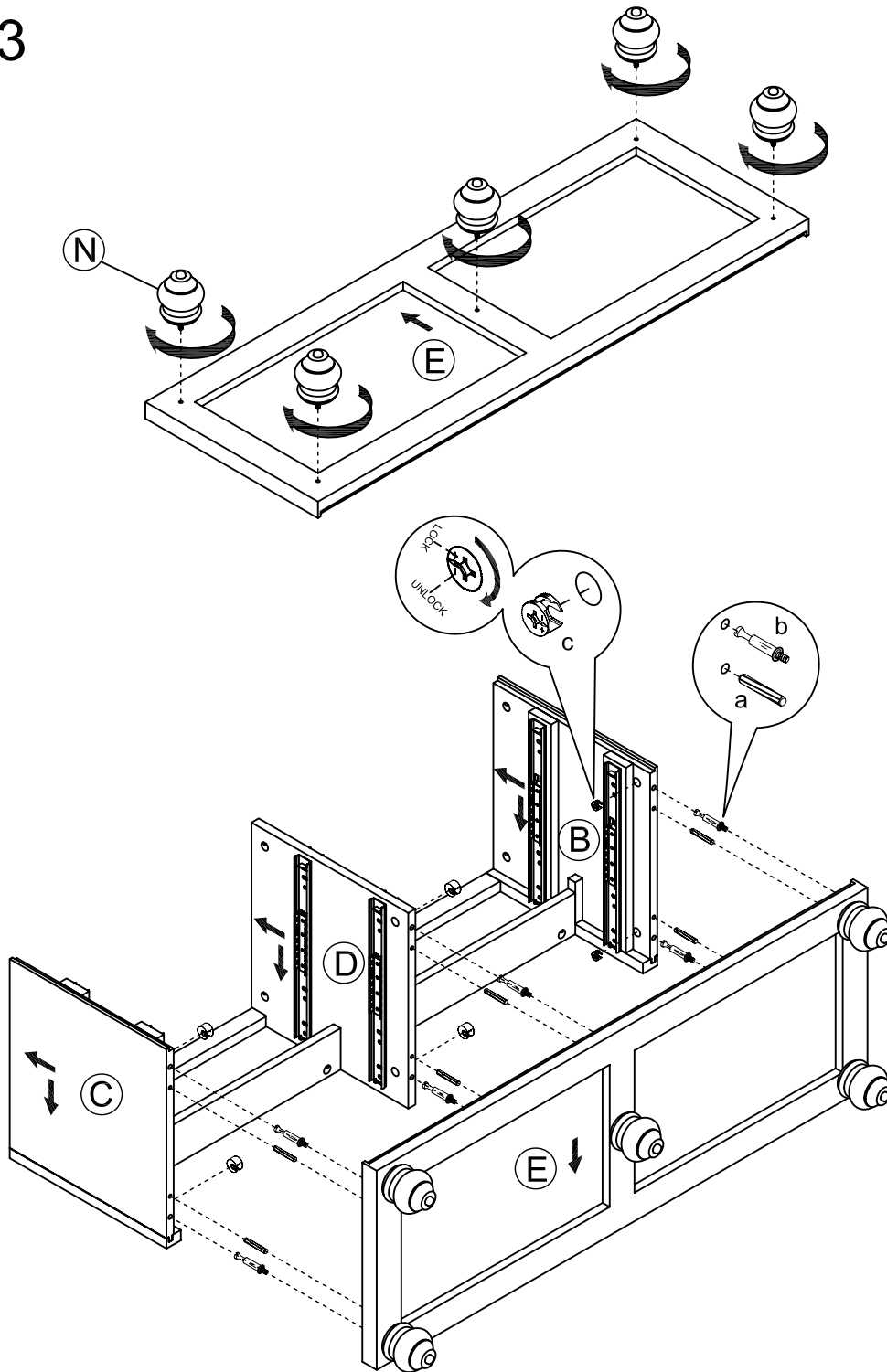
- INSTALL THE WOOD DOWEL (a) AND THE CAM LOCK BOLT (b) INTO THE PARTITION (D).
- JOIN THE BOTTOM CROSS BRACE (H) TO THE PARTITION (D) BY USING THE WOOD DOWEL (a) FIRST.
- TIGHTEN CAM LOCK BOLT (b) WITH THE CAM LOCK (c) IN THE PRE-DRILLED HOLES.

FIG 2



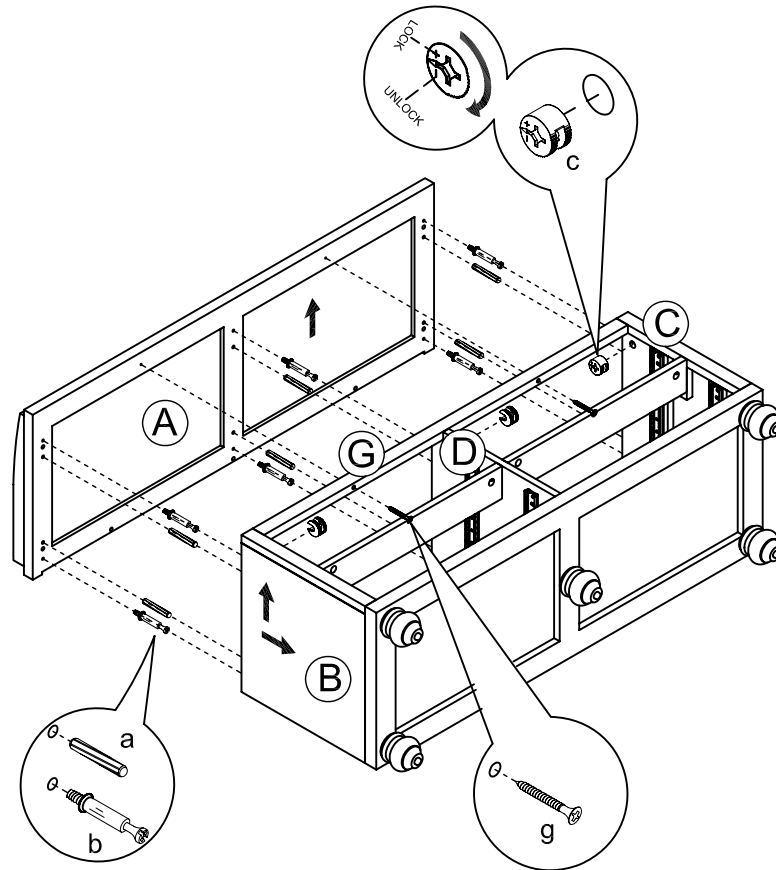
- INSTALL THE WOOD DOWEL (a) AND THE CAM LOCK BOLT (b) INTO THE LEFT SIDE PANEL (B) AND THE RIGHT SIDE PANEL (C).
- JOIN THE BOTH SIDE PANELS (B) & (C) TO THE ASSEMBLED PART AND THE TOP CROSS BAR (G) BY USING THE WOOD DOWEL (a) FIRST.
- TIGHTEN CAM LOCK BOLT (b) WITH THE CAM LOCK (c) IN THE PRE-DRILLED HOLES.

FIG 3



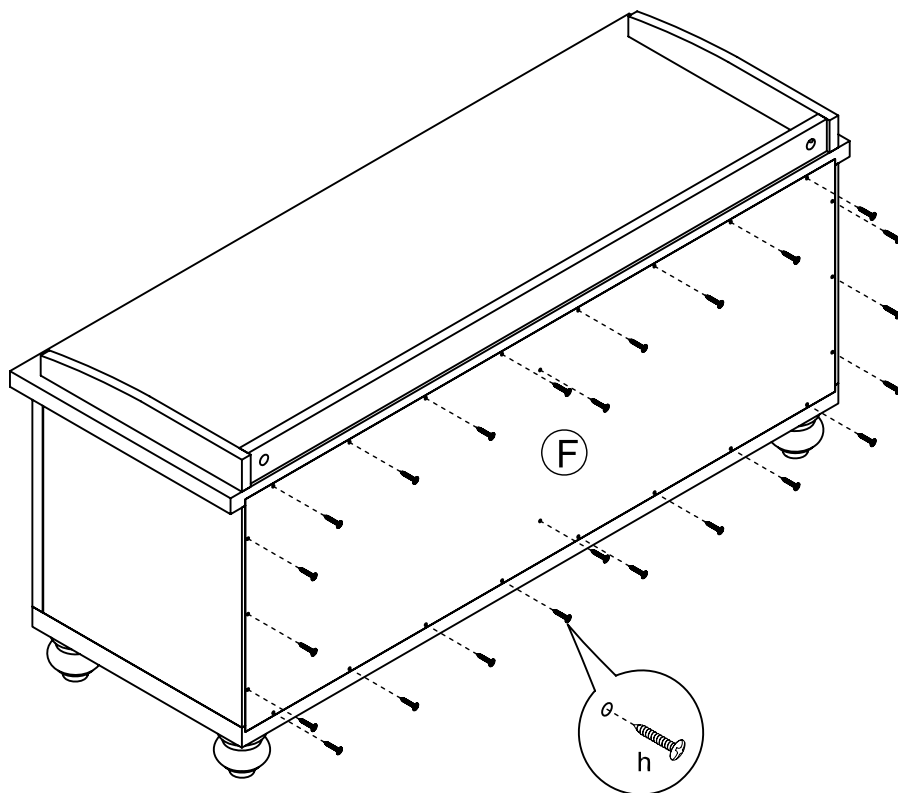
- TIGHTEN THE FOOT (N) INTO THE BOTTOM OF THE BOTTOM PANEL (E) AS SHOWN.
- INSTALL THE WOOD DOWEL (a) AND THE CAM LOCK BOLT (b) INTO THE TOP OF THE BOTTOM PANEL (E).
- JOIN THE BOTTOM PANEL (E) TO THE ASSEMBLED PART BY USING THE WOOD DOWEL (a) FIRST.
- TIGHTEN CAM LOCK BOLT (b) WITH THE CAM LOCK (c) IN THE PRE-DRILLED HOLES.

FIG 4



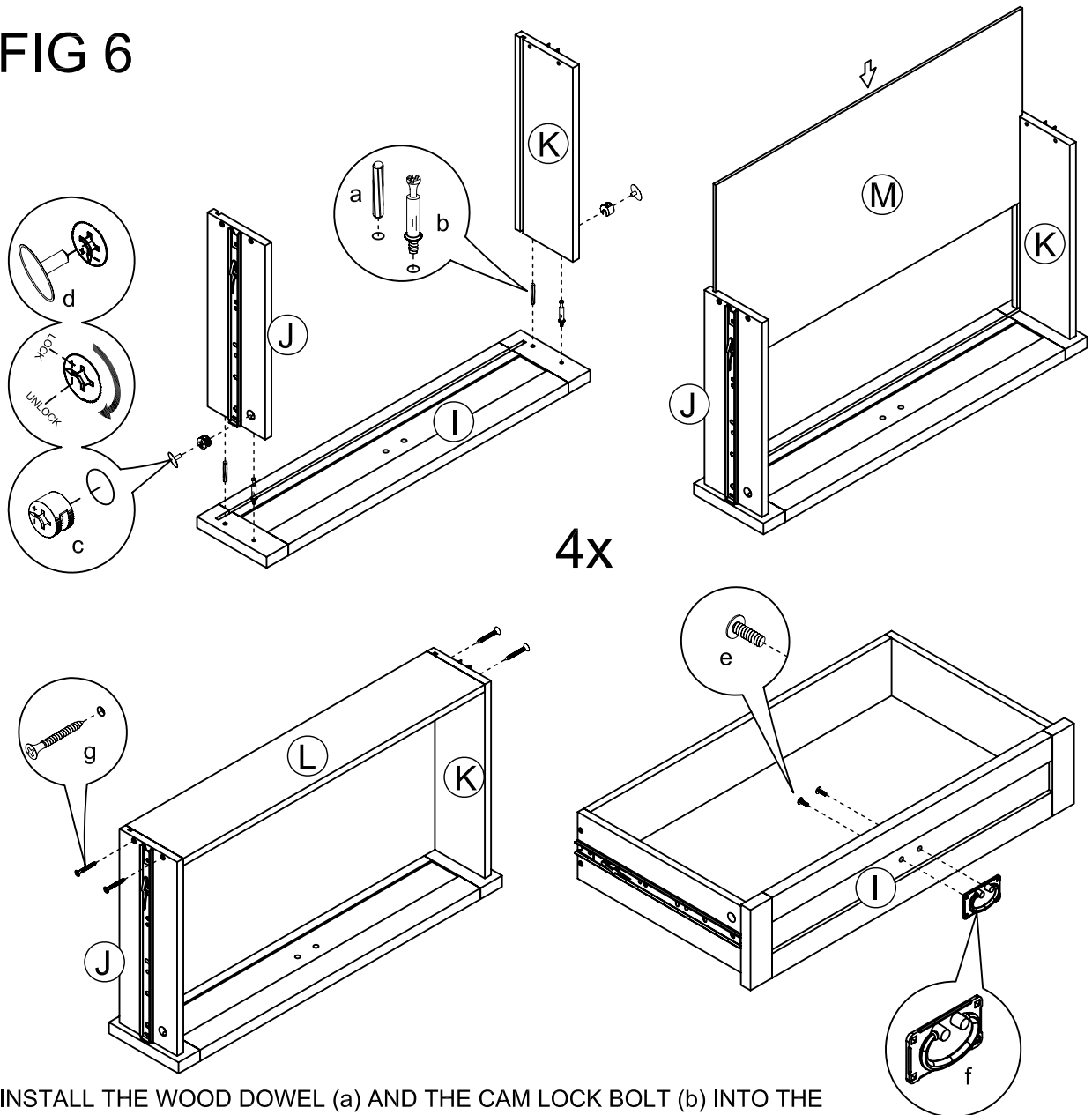
- INSTALL THE WOOD DOWEL (a) AND THE CAM LOCK BOLT (b) INTO THE BOTTOM OF THE TOP PANEL (A).
- JOIN THE TOP PANEL (A) TO THE ASSEMBLED PART BY USING THE WOOD DOWEL (a) FIRST.
- TIGHTEN CAM LOCK BOLT (b) WITH THE CAM LOCK (c) IN THE PRE-DRILLED HOLES.
- TIGHTEN THE TOP CROSS BAR (G) BY USING THE 1" L FLAT HEAD SCREW (g) THROUGH THE PRE-DRILLED HOLES ON THE TOP CROSS BAR (G) AS SHOWN.

FIG 5



- TIGHTEN THE BACK PANEL (F) BY USING THE 5/8" L ROUND HEAD SCREW (h) AS SHOWN.

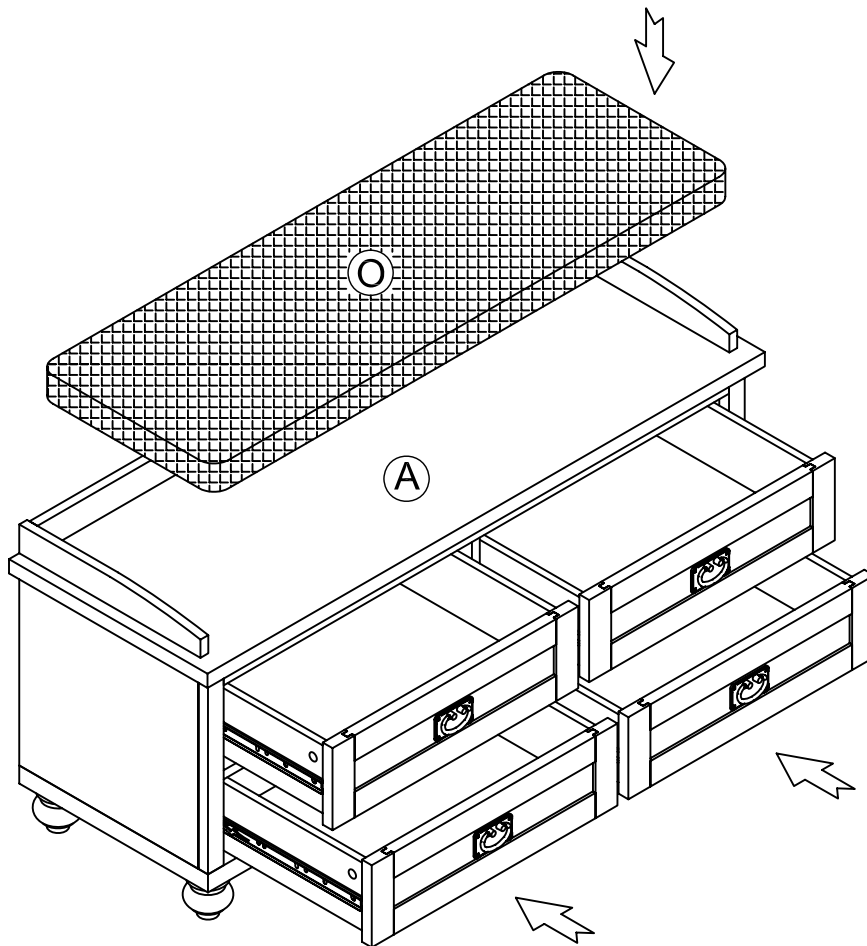
FIG 6



4x

- INSTALL THE WOOD DOWEL (a) AND THE CAM LOCK BOLT (b) INTO THE DRAWER FRONT PANEL (I).
- JOIN THE DRAWER LEFT SIDE PANEL (J) AND THE DRAWER RIGHT SIDE PANEL (K) TO THE DRAWER FRONT PANEL (I).
- ONCE JOINED, TIGHTEN CAM LOCK BOLT (b) WITH THE CAM LOCK (c) IN THE PRE-DRILLED HOLES.
- COVER CAM HOLES WITH THE SHORT PLASTIC COVER (d).
- SLIDE THE DRAWER BOTTOM PANEL (M) INTO THE GROOVES ON THE DRAWER LEFT SIDE PANEL (J) AND THE DRAWER RIGHT SIDE PANEL (K).
- JOIN THE DRAWER BACK PANEL (L) TO THE ASSEMBLED DRAWER PART AND TIGHTEN THE DRAWER BACK PANEL (L) BY USING THE 1" L FLAT HEAD SCREW (g) THROUGH PRE-DRILLED HOLES ON DRAWER SIDE PANELS.
- TIGHTEN THE DRAWER HANDLE (f) TO THE DRAWER FRONT PANEL (I) BY USING THE Ø5/32" * 10mm BOLT (e).

FIG 7



- INSERT DRAWERS INTO THE ASSEMBLED PART.
- PLACE THE CUSHION (O) ABOVE THE TOP PANEL (A).