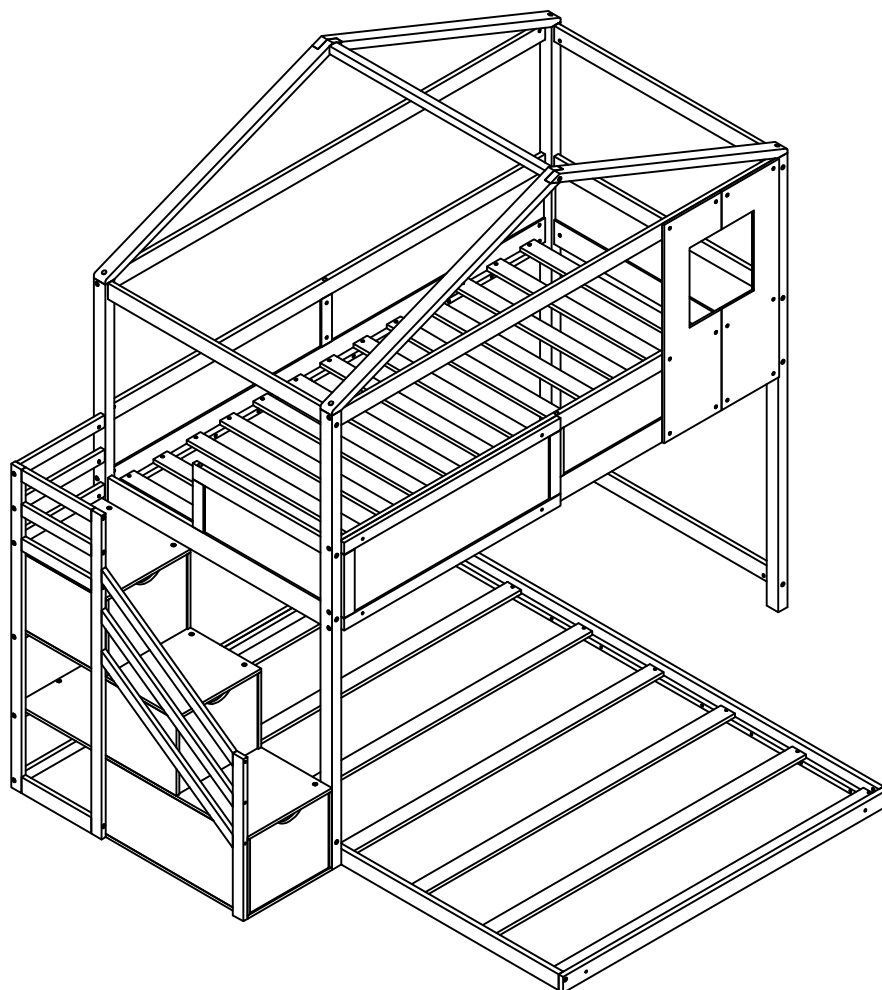


ASSEMBLY INSTRUCTIONS

TWIN BED WITH STAIR , BLACK BOARD , FULL LOWER BED



IMPORTANT NOTE

1. PLACE ALL PARTS ON A CLEAN AND SMOOTH SURFACE SUCH AS A RUG OR CARPET TO AVOID THE PARTS FROM BEING SCRATCHED
2. BEFORE YOU BEGIN, KINDLY FOLLOW THE ASSEMBLY INSTRUCTIONS STEP BY STEP
3. DO NOT TIGHTEN ALL SCREWS AND BOLTS UNTIL THE BED IS FULLY SET-UP

WF290952/WF290953



SAFETY WARNING



- 1 . This bed is designed for use only mattress(es) meeting the following specifications on the upper bunk , and lower bunk :

Upper bunk (bunk bed and tribed included)

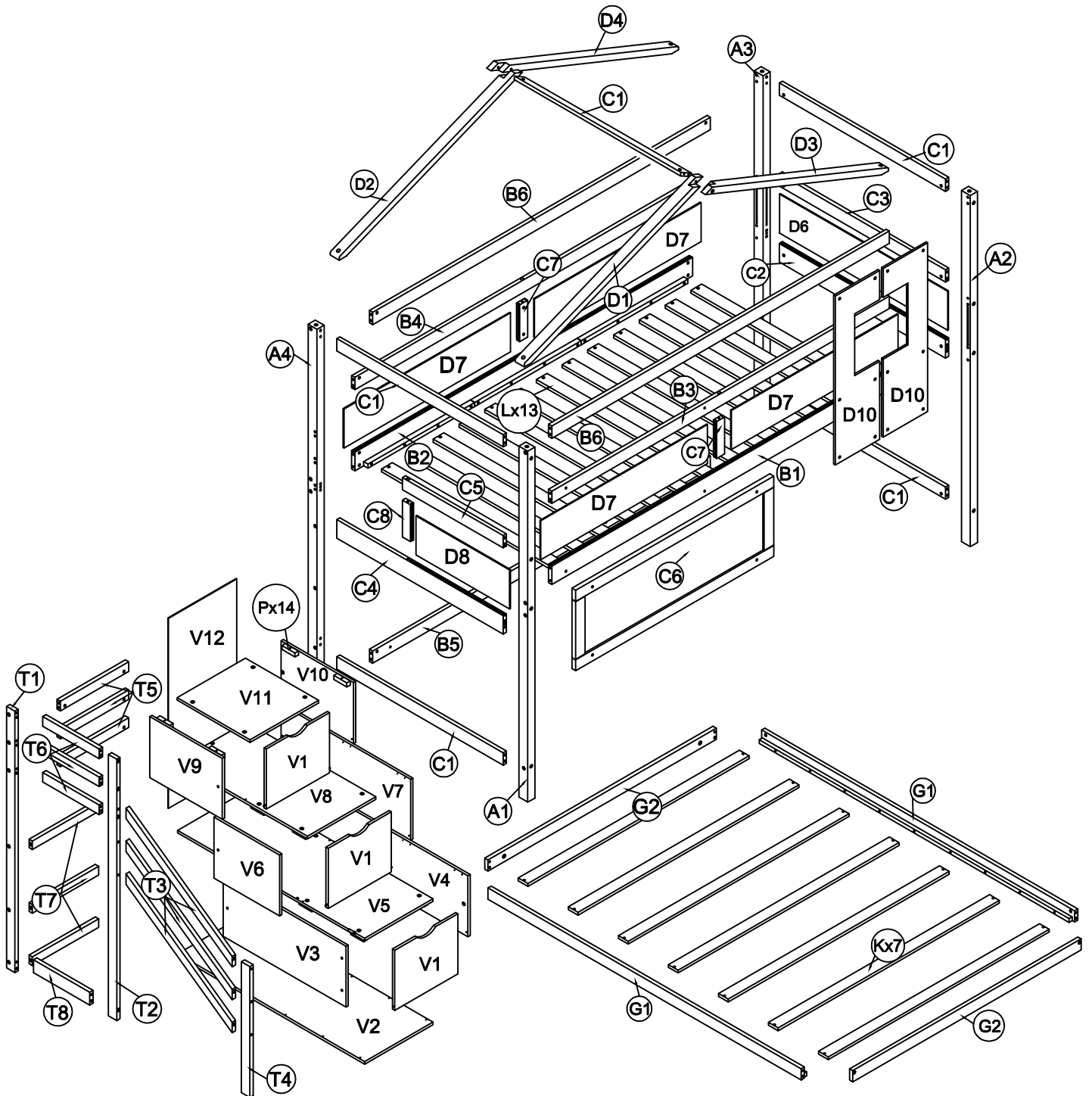
Bed type	Length	Width	Thickness
Twin standard	74" - 75"	38 1/2"	6" Max

Lower bunk

Bed type	Length	Width	Thickness
Full standard	74" - 75"	54"	8" Max

- 2 . Replacement parts, including additional guardrails, maybe obtained from any of our (GIGACLOUD TECHNOLOGY(USA) INC. 18961 ARENTH A VENUE CITY OF INDUSTRY, CA, 91748) dealers
- 3 . Follow the information on the warnings appearing on the upper bunk bed end structure and on the carton. Do not remove warning label from bed .
- 4 . Always use the recommended size mattresses or mattress supports, or both, to help prevent the likelihood of entrapment or falls.
- 5 . Surface of mattress must be at least 5" (127mm) below the upper edge of guardrails.
- 6 . Do not allow children under 6 years of age to use the upper bunk .
- 7 . Periodically check and ensure that the guardrail, ladder, and other components are in their proper position, free from damage, and that all connectors are tight.
- 8 . Do not allow horseplay on or under the bed and prohibit jumping on the bed.
- 9 . Always use the ladder for entering and leaving the upper bunk .
10. Do not use substitute part. Contact the manufacturer or dealer for replacement part .
11. Use of a night light may provide added safety precaution for a child using the upper bunk .
12. Always use guardrails on both long sides of upper bunk. If the bunk bed will be placed next to the wall, the guardrail that runs the full length of the bed should be placed against the wall to prevent entrapment between the bed and wall.
13. The use of water or sleep flotation mattresses is prohibited.
14. STRANGULATION HAZARD - Never attach or hang items to any part of the bunk bed that are not designed for use with the bed; for example, but not limited to, hook, belts and jump ropes .
15. Keep these instruction for future reference.
16. Prohibit more than one person on upper bunk
17. We recommend assembling your bunk bed on the shipping carton to protect your floor or carpet.
18. Be certain all staples are out the box before beginning assembly on the shipping carton.

Detail View



Part list BOX1 : WF290952

A1



Leg bed (1 pc)

A2



Leg bed (1 pc)

A3



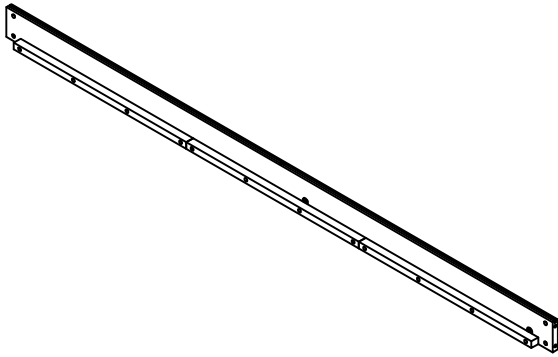
Leg bed (1 pc)

A4



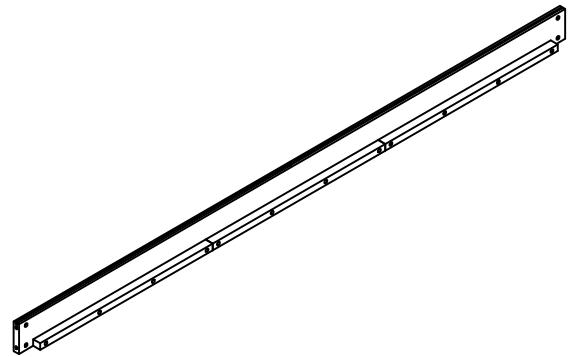
Leg bed (1 pc)

B1



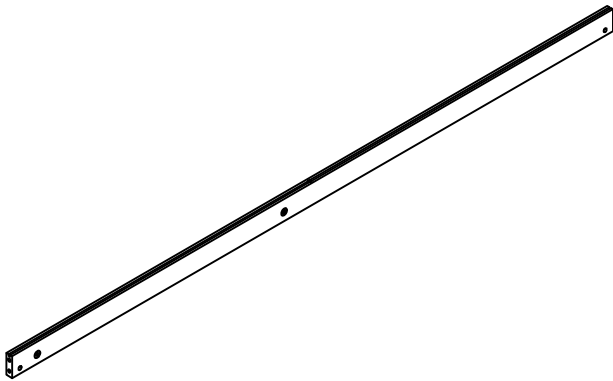
Rail - (1 pc)

B2



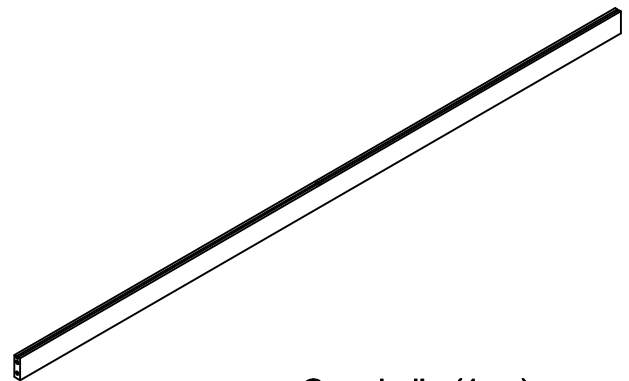
Rail - (1 pc)

B3



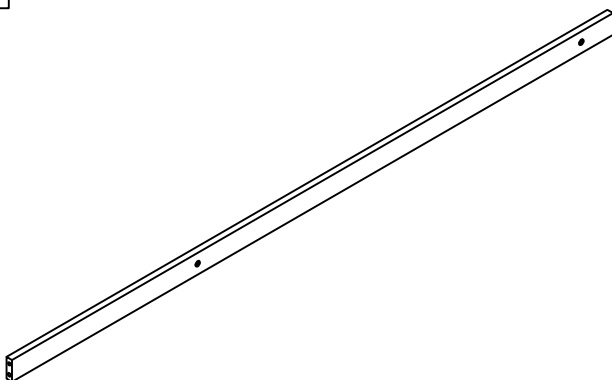
Guardrail - (1 pc)

B4



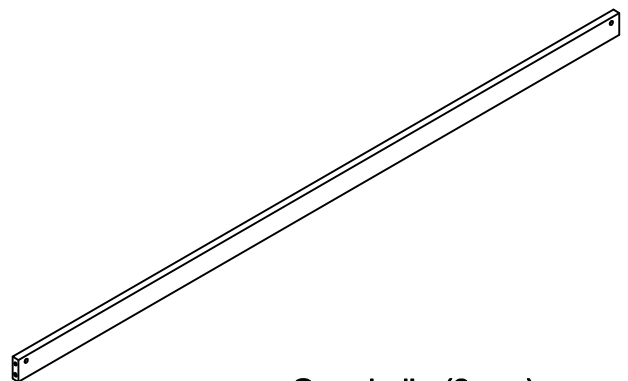
Guardrail - (1 pc)

B5



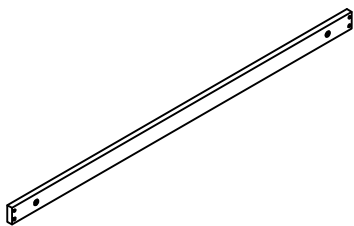
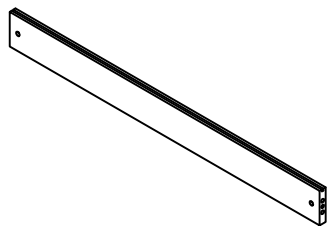
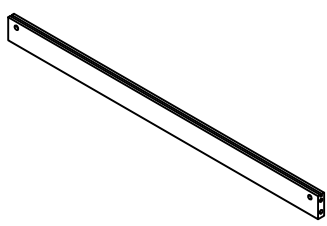
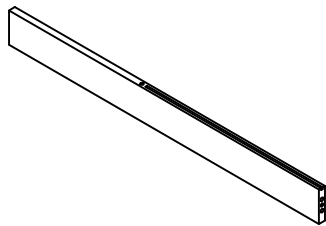
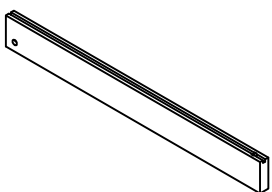
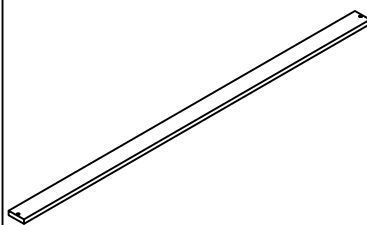
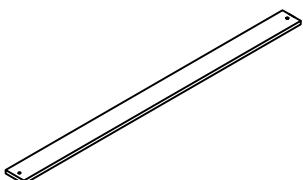
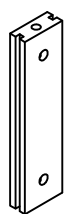

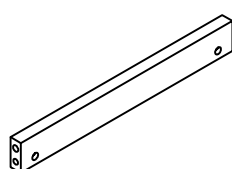
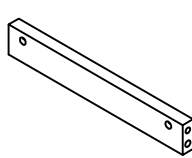
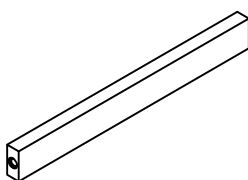
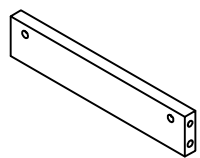
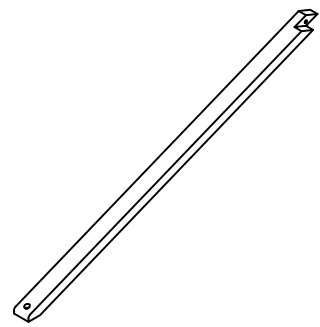
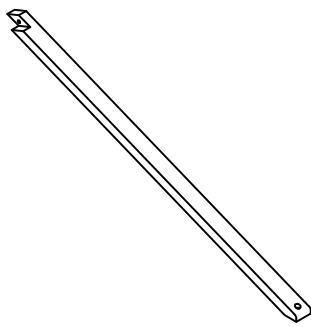
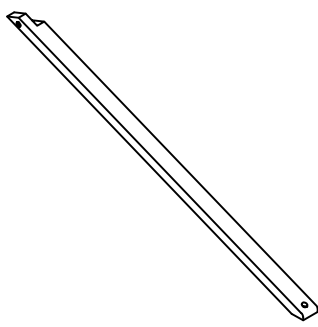
Guardrail - (1 pc)

B6



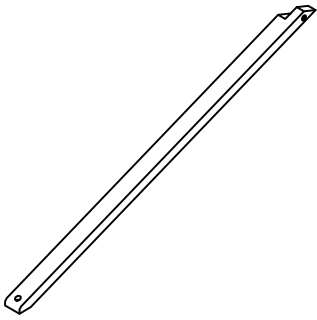
Guardrail - (2 pcs)

Part list BOX1 : WF290952

<p>G2</p>  <p>Headboard rail (2 pcs)</p>	<p>C2</p>  <p>Headboard rail (1 pc)</p>	<p>C3</p>  <p>Headboard rail (1 pc)</p>	<p>C4</p>  <p>Headboard rail (1 pc)</p>
<p>C5</p>  <p>Headboard rail (1 pc)</p>	<p>K</p>  <p>Bed slats - (7 pcs)</p>	<p>L</p>  <p>Bed slats - (13 pcs)</p>	<p>C7</p>  <p>Standing song - (2 pcs)</p>
<p>C8</p>  <p>Standing song - (1 pc)</p>	<p>T5</p>  <p>Support bar - (3 pcs)</p>	<p>T6</p>  <p>Support bar - (3 pcs)</p>	<p>T7</p>  <p>Support bar - (3 pcs)</p>
<p>T8</p>  <p>Support bar - (1 pc)</p>	<p>D1</p>  <p>Top rail 1pc</p>	<p>D2</p>  <p>Top rail 1pc</p>	<p>D3</p>  <p>Top rail 1pc</p>

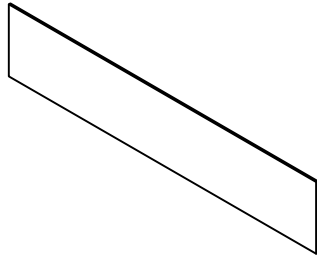
Part list BOX1 : WF290952

D4



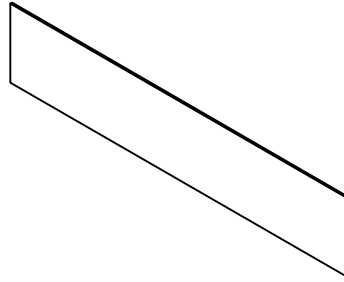
Top rail 1pc

D6



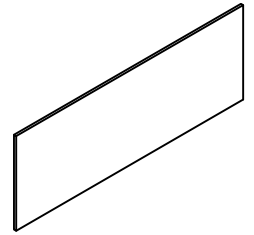
Plank - 1 pc

D7



Plank - 4 pc

D8



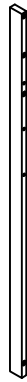
Plank - 1 pc

T1



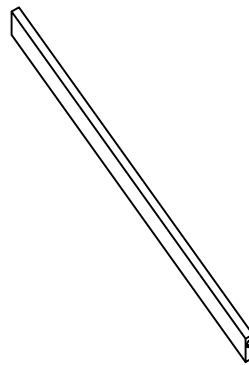
Pillar balcony - 1 pc

T2



Pillar balcony - 1 pc

T3



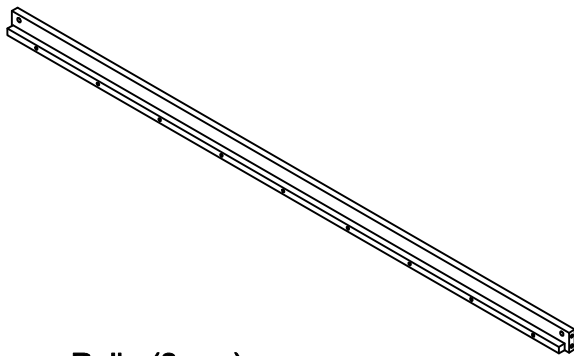
Rail balcony stair - 3 pcs

T4



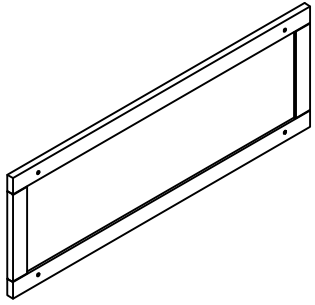
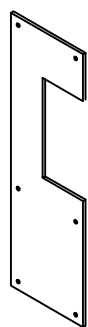
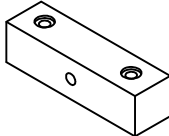
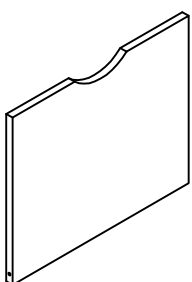
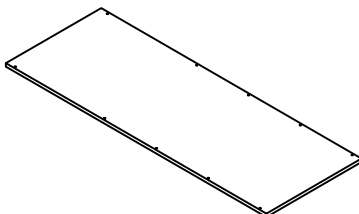
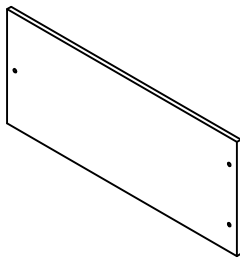
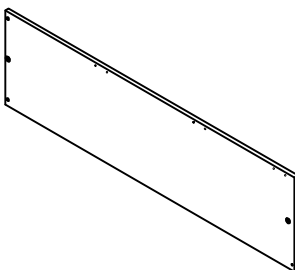
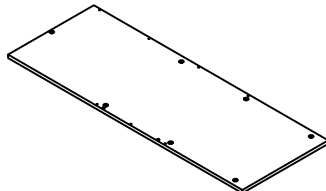
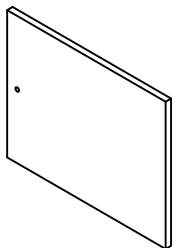
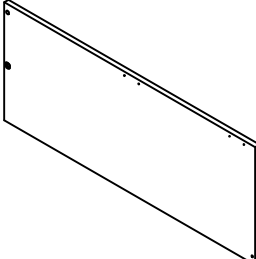
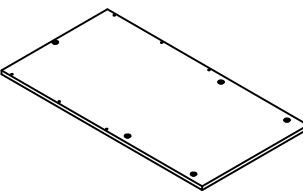
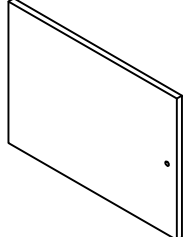
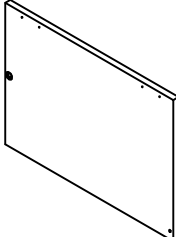
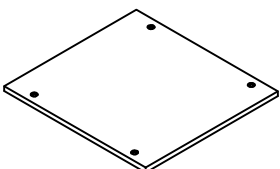

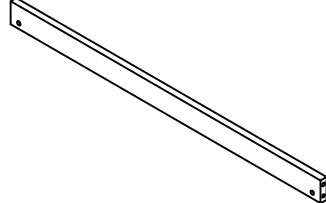
Pillar balcony - 1 pc

G1

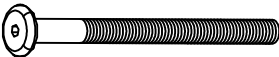
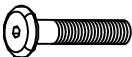
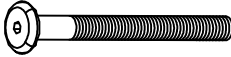
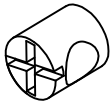

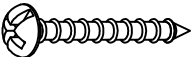

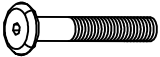
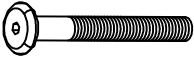


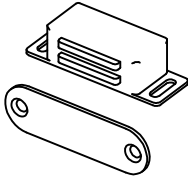
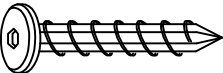
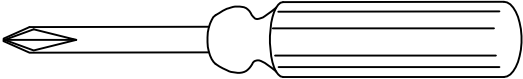


Rail - (2 pcs)

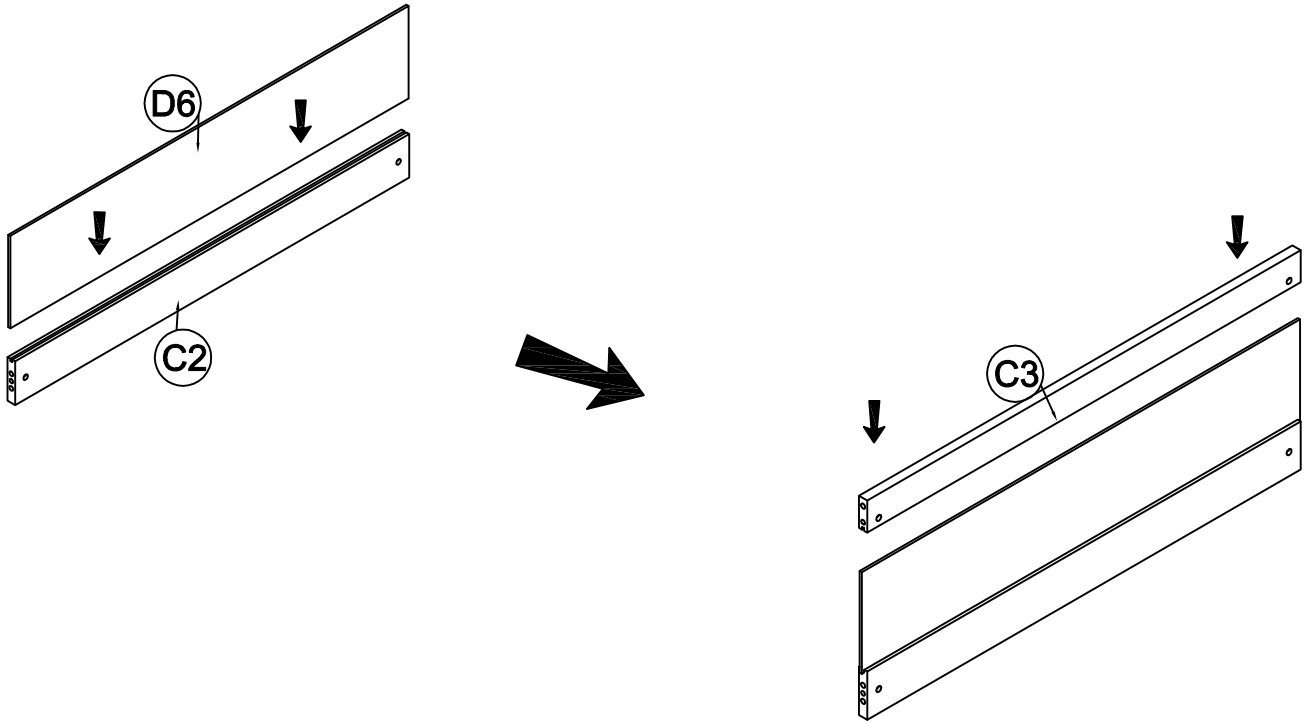
Part list BOX2 : 290953

<p>C6</p>  <p>Written version - 1 pc</p>	<p>D10</p>  <p>Paneling - 2 pcs</p>	<p>P</p>  <p>Connecting bar - 14 pcs</p>	<p>V1</p>  <p>front drawer - 3 pcs</p>
<p>V2</p>  <p>stair surface 4 - 1 pc</p>	<p>V3</p>  <p>Side stair 3 - right (1 pc)</p>	<p>V4</p>  <p>Side stair 3 - left (1 pc)</p>	<p>V5</p>  <p>stair surface 3 - 1 pc</p>
<p>V6</p>  <p>Side stair 2 - right (1 pc)</p>	<p>V7</p>  <p>Side stair 2 - left (1 pc)</p>	<p>V8</p>  <p>stair surface 2 - 1 pc</p>	<p>V9</p>  <p>Side stair 1 - right (1 pc)</p>
<p>V10</p>  <p>Side stair 1 - left (1 pc)</p>	<p>V11</p>  <p>stair surface 1 - 1 pc</p>	<p>V12</p>  <p>Back panel stair - 1 pc</p>	<p>C1</p>  <p>Headboard rail (5 pcs)</p>

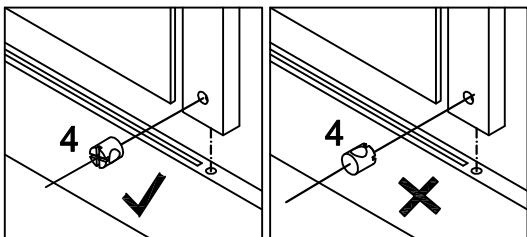
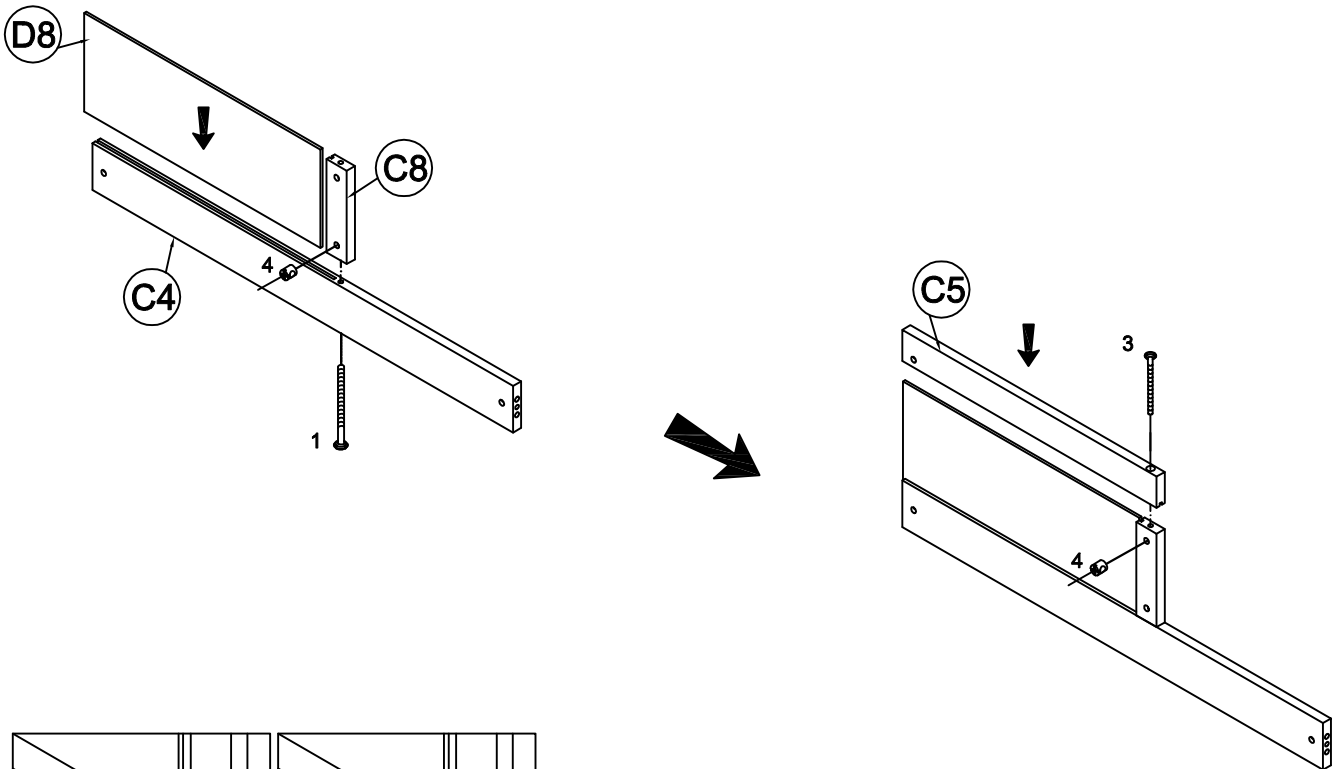
Hardware list in WF290952

<p>1</p>  <p>M6 x 120 mm Hex head bolts - 3 pcs</p>	<p>2</p>  <p>M6 x 25 mm Hex head bolts - 5 pcs</p>	<p>3</p>  <p>M6 x 80 mm Hex head bolts - 49 pcs</p>	<p>4</p>  <p>M6 x 13 mm Horizontal-hole bolt - 59 pcs</p>
<p>5</p>  <p>Ø8 x 30 Wood dowel - 46 pcs</p>	<p>6</p>  <p>M4 x 25 Wood screws 102 pcs</p>	<p>7</p>  <p>M3 x 12 Wood screws 20 pcs</p>	<p>8</p>  <p>M6 x 30 mm Hex head bolts - 20 pcs</p>
<p>9</p>  <p>M6 x 55 mm Hex head bolts - 13 pcs</p>	<p>10</p>  <p>Allen key - 1 pc</p>	<p>11</p>  <p>m4 x 20 Steel dowel 6 pcs</p>	<p>12</p>  <p>magnet set - 3 pcs</p>
<p>13</p>  <p>M6 x 30 Wood screws 16 pcs</p>	 <p>Assemble tools required (Not included)</p>		


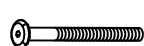

Step1

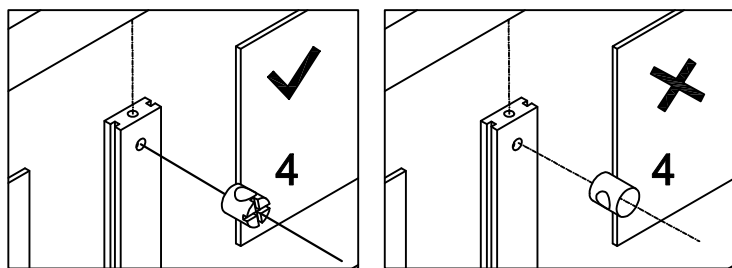


Step2

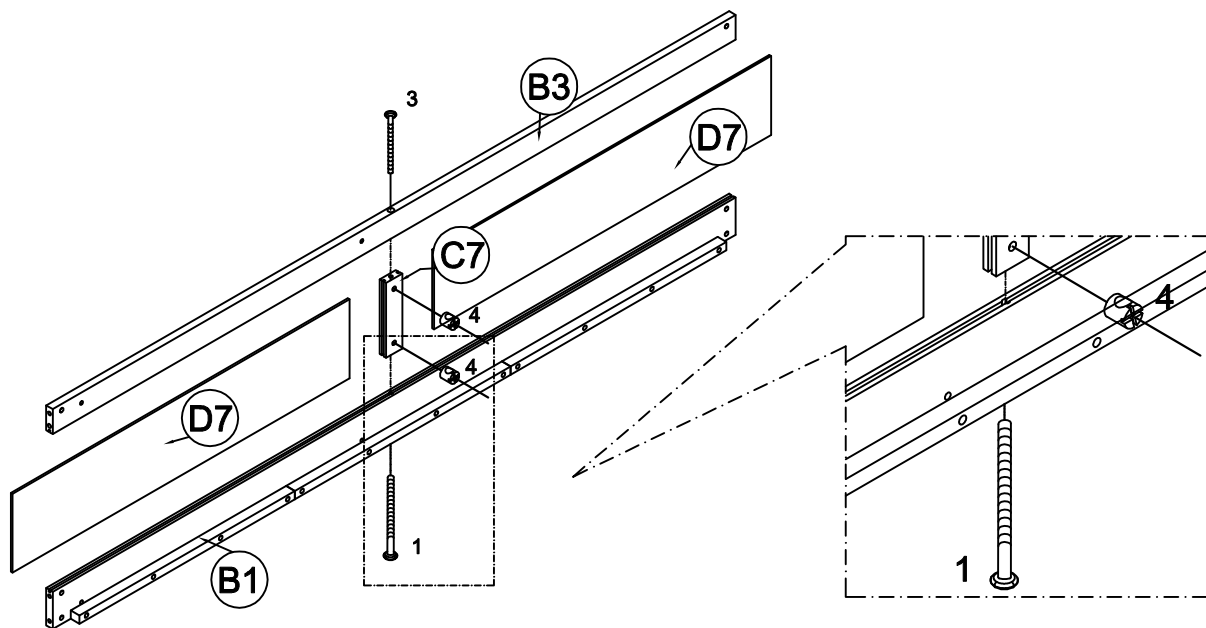
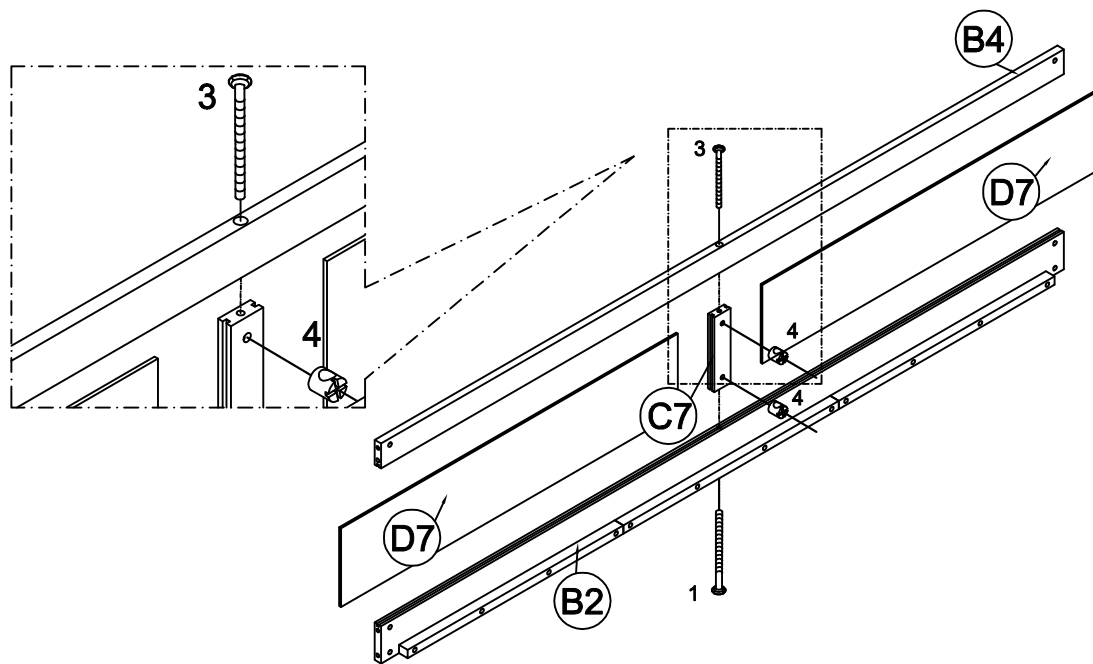


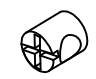


Note: Part 4 will face up with the "x" mark on it, otherwise it cannot be tightened

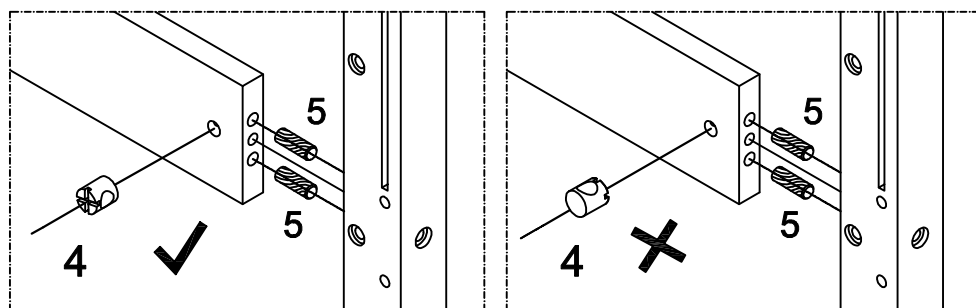
<p>4</p>  <p>M6 x 13 mm Horizontal-hole bolt 2 pcs</p>	<p>3</p>  <p>M6 x 80 mm Hex head bolts 1 pc</p>	<p>1</p>  <p>M6 x 120 mm Hex head bolts 1 pc</p>
--	--	---



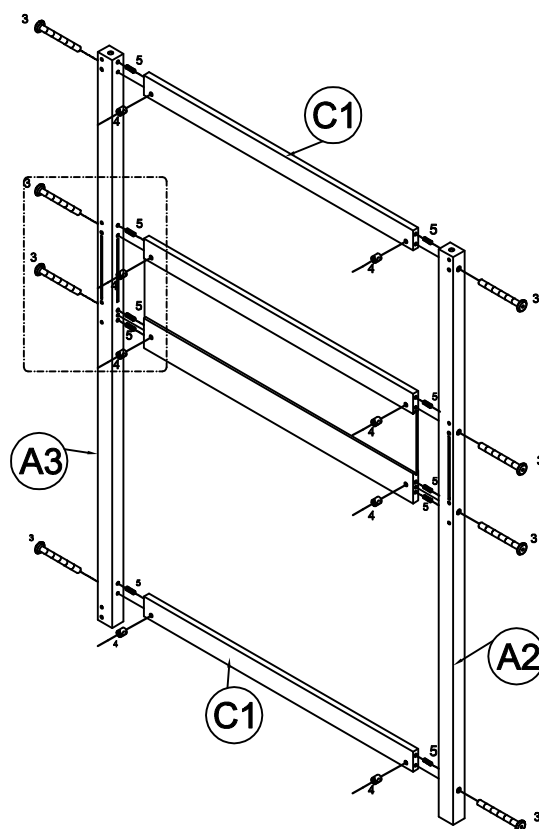
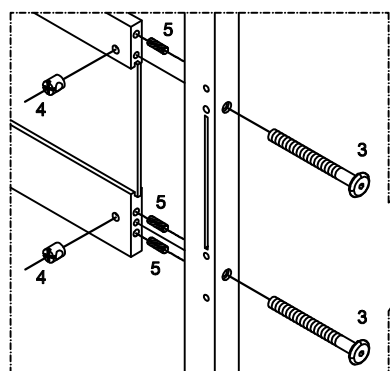
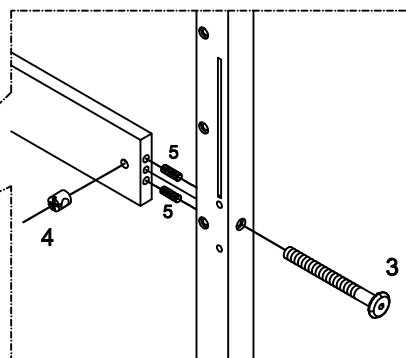
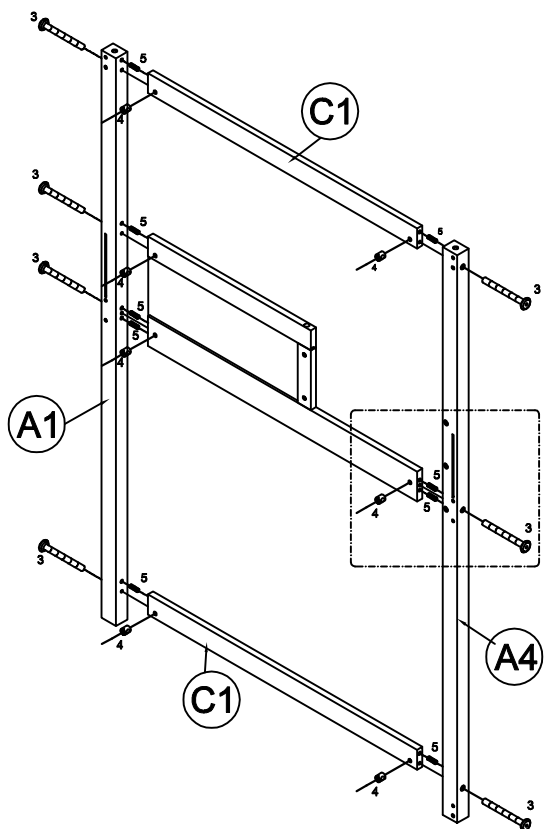
Note: Part 4 will face up with the "x" mark on it, otherwise it cannot be tightened






<p>4</p>  <p>M6 x 13 mm Horizontal-hole bolt 4 pcs</p>	<p>3</p>  <p>M6 x 80 mm Hex head bolts 2 pcs</p>	<p>1</p>  <p>M6 x 120 mm Hex head bolts 2 pcs</p>
--	---	--

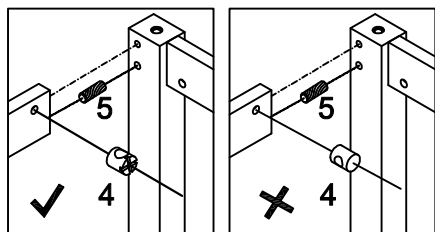


Note: Part 4 will face up with the "x" mark on it, otherwise it cannot be tightened

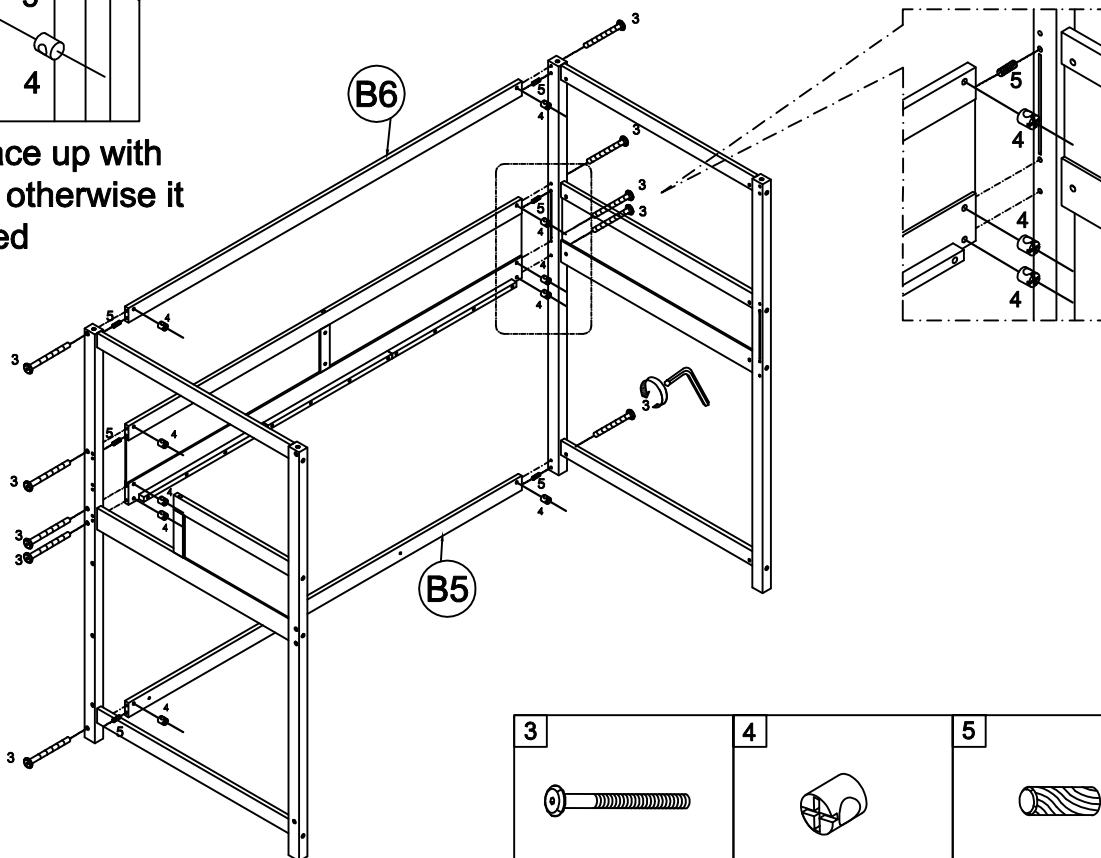





<p>3</p>  <p>M6 x 80 mm Hex head bolts 15 pcs</p>	<p>4</p>  <p>M6 x 13 mm Horizontal-hole bolt 15 pcs</p>	<p>5</p>  <p>Ø8 x 30 Wood dowel 19 pcs</p>
--	---	--

Step 5

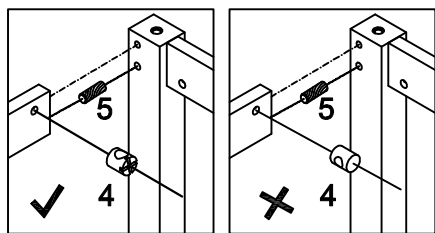


Note: Part 4 will face up with the "x" mark on it, otherwise it cannot be tightened

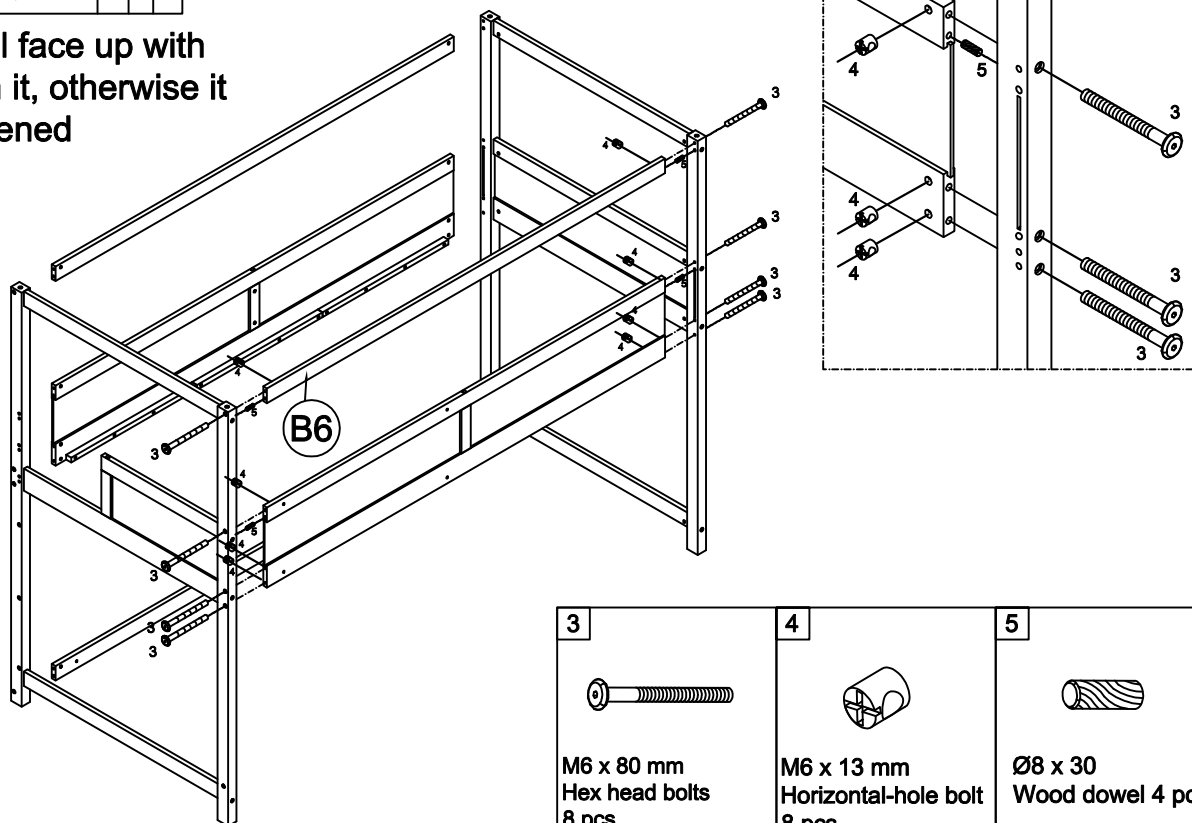





<p>3</p>  <p>M6 x 80 mm Hex head bolts 10 pcs</p>	<p>4</p>  <p>M6 x 13 mm Horizontal-hole bolt 10 pcs</p>	<p>5</p>  <p>Ø8 x 30 Wood dowel 6 pcs</p>
---	--	--

Step 6

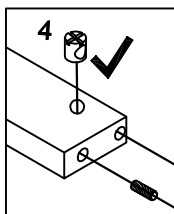
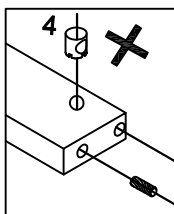


Note: Part 4 will face up with the "x" mark on it, otherwise it cannot be tightened

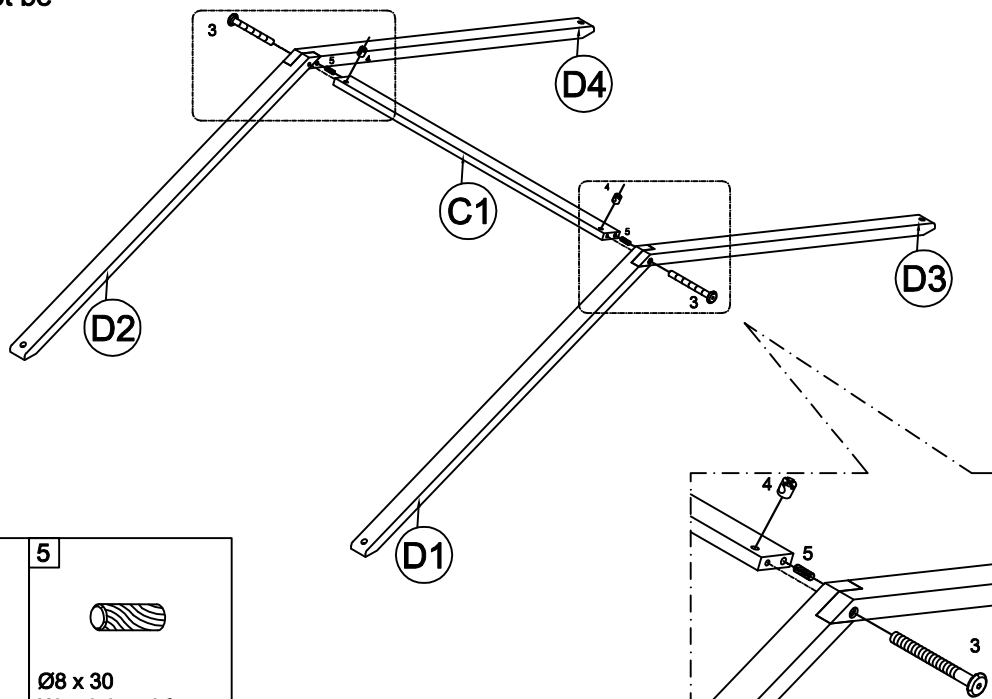
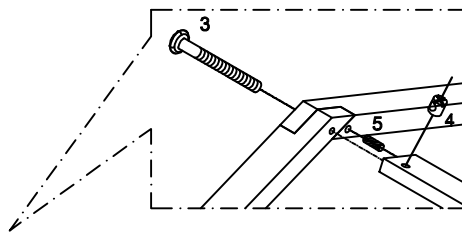





<p>3</p>  <p>M6 x 80 mm Hex head bolts 8 pcs</p>	<p>4</p>  <p>M6 x 13 mm Horizontal-hole bolt 8 pcs</p>	<p>5</p>  <p>Ø8 x 30 Wood dowel 4 pcs</p>
--	---	--

Step 7

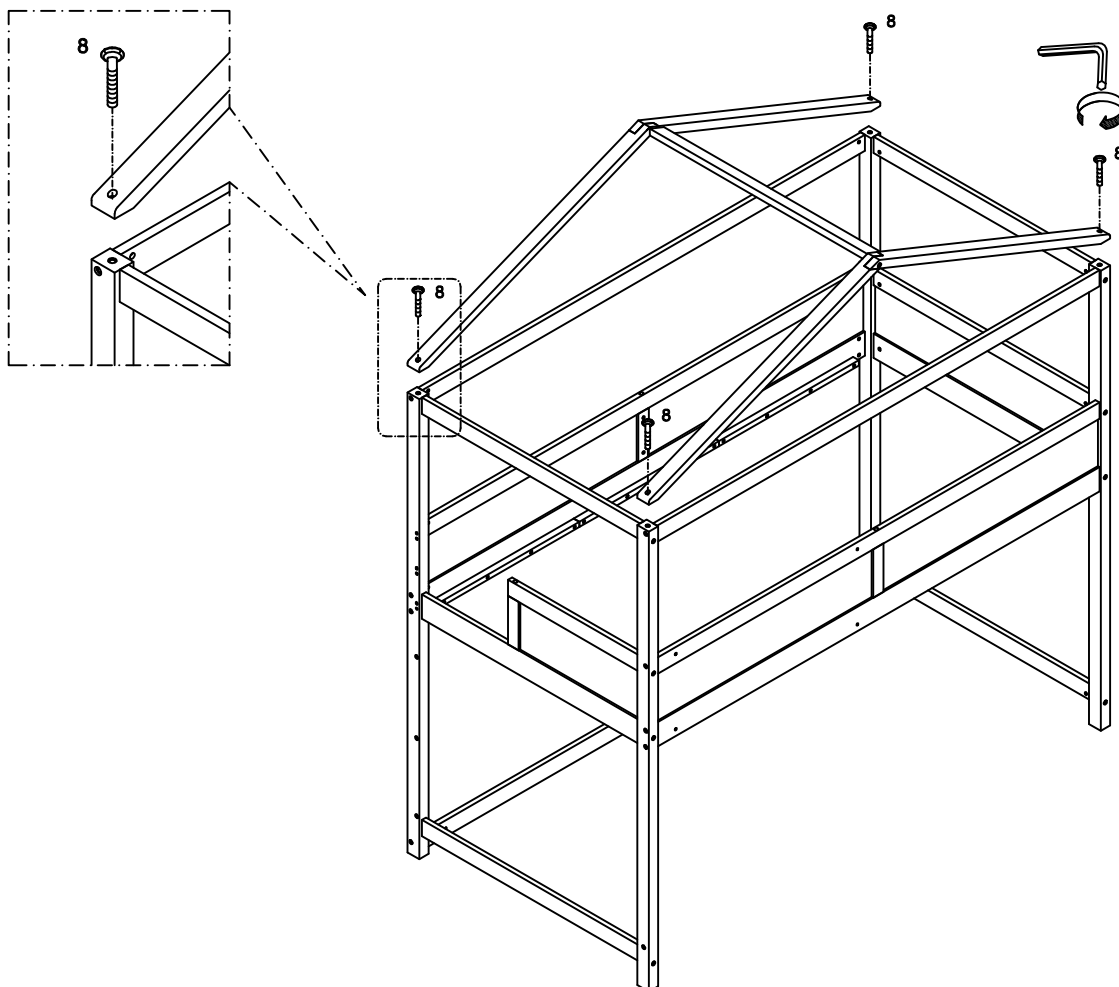


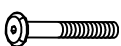
Note: Part 4 will face up with the "x" mark on it, otherwise it cannot be tightened



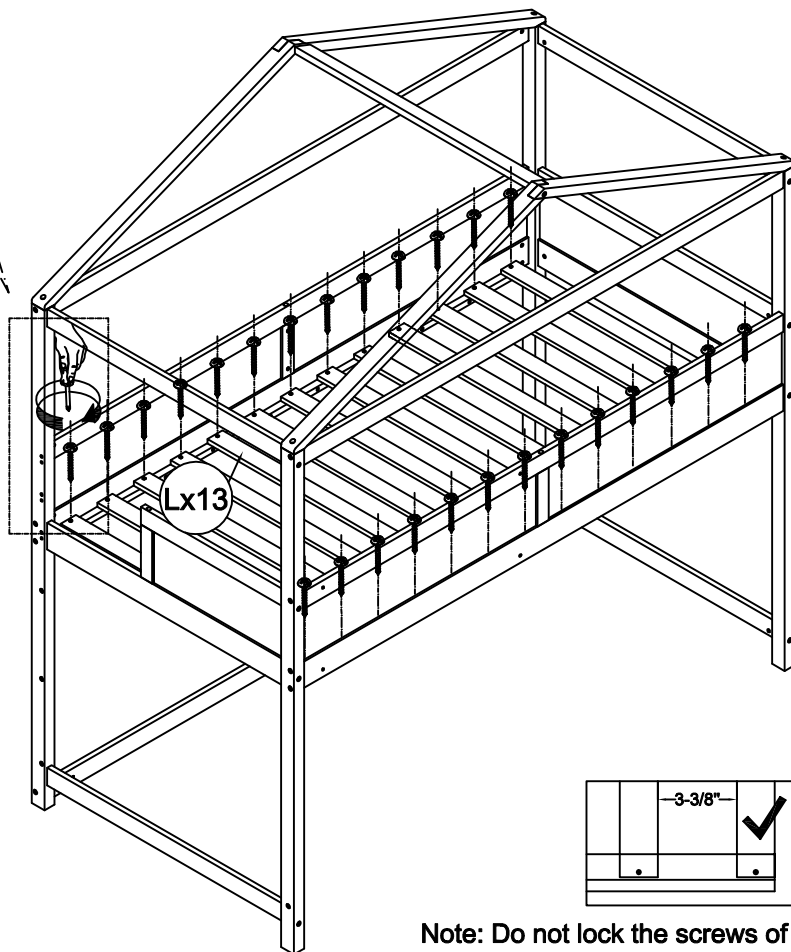
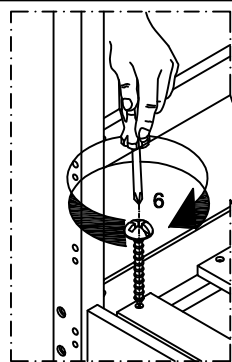
<p>3</p>  <p>M6 x 80 mm Hex head bolts 2 pcs</p>	<p>4</p>  <p>M6 x 13 mm Horizontal-hole bolt 2 pcs</p>	<p>5</p>  <p>Ø8 x 30 Wood dowel 2 pcs</p>
---	--	---

Step 8

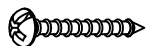


<p>8</p>  <p>M6 x 30 mm Hex head bolts 4 pcs</p>
--

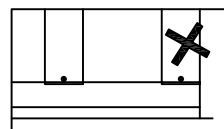
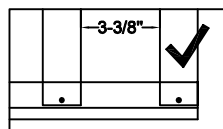
Step9



6

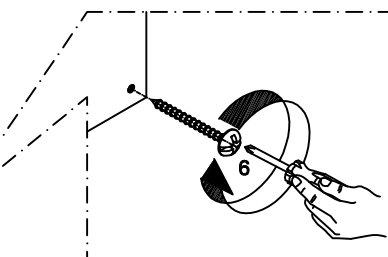
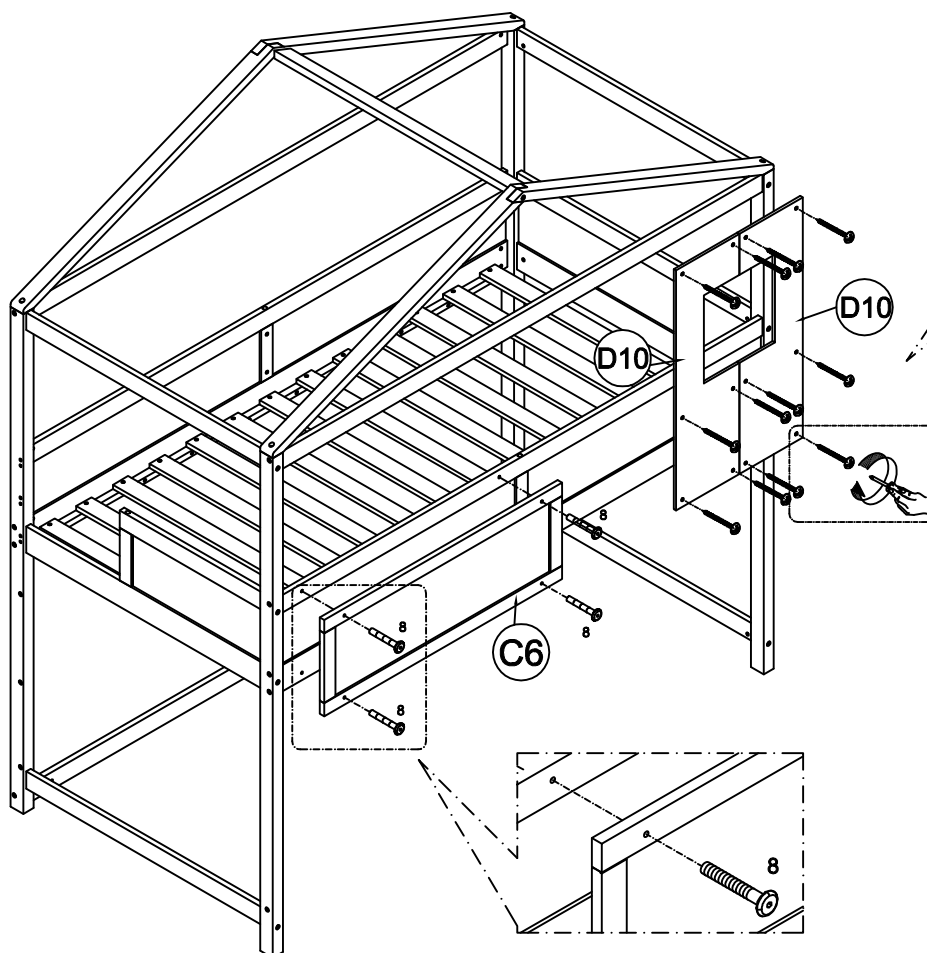


M4 x 25
Wood screws
26 pcs

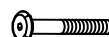


Note: Do not lock the screws of the trundle slats to the outermost edge of the trundle slats, you need to leave a certain space at the edges, otherwise it will cause the board to break

Step10

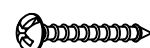


8



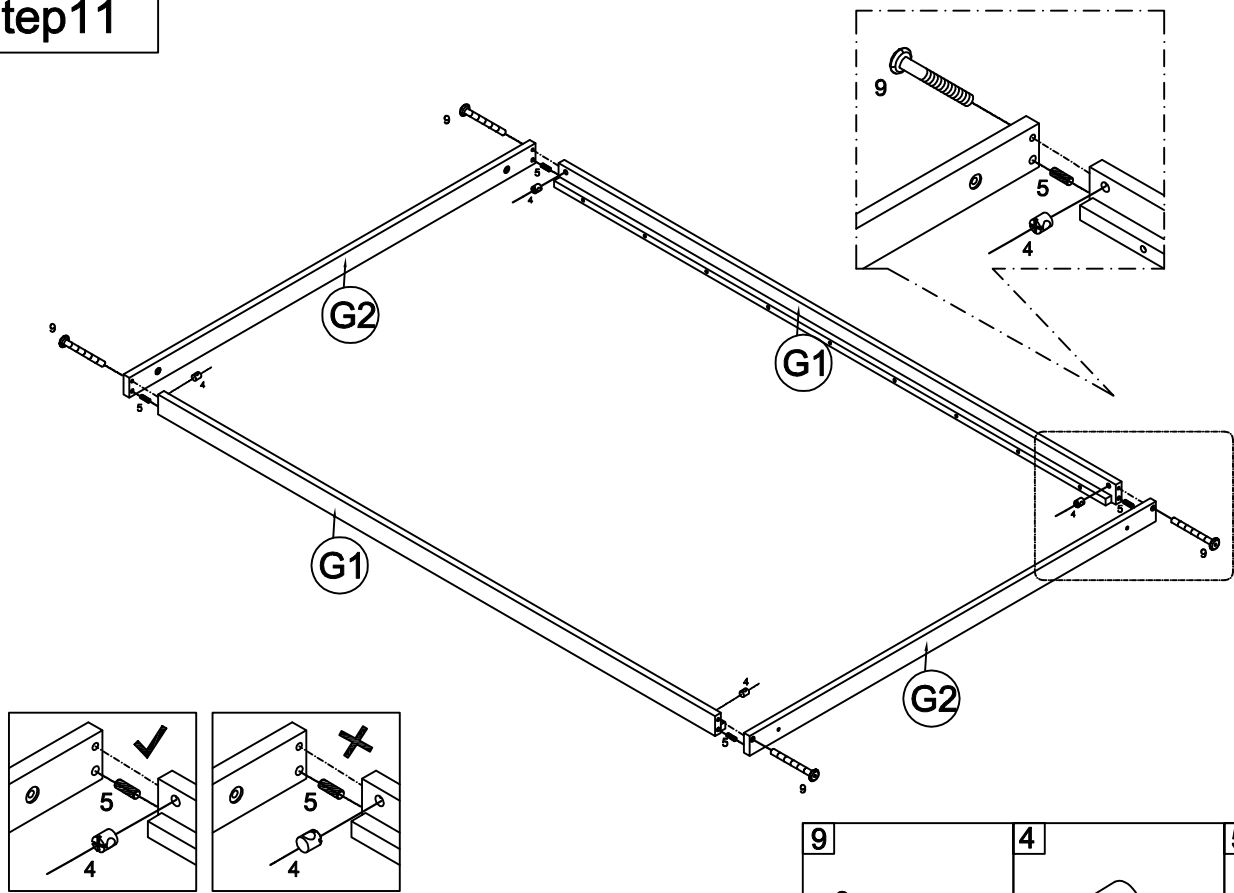
M6 x 30 mm
Hex head bolts
4 pcs

6

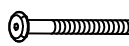




M4 x 25
Wood screws
12 pcs

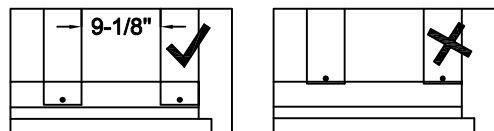
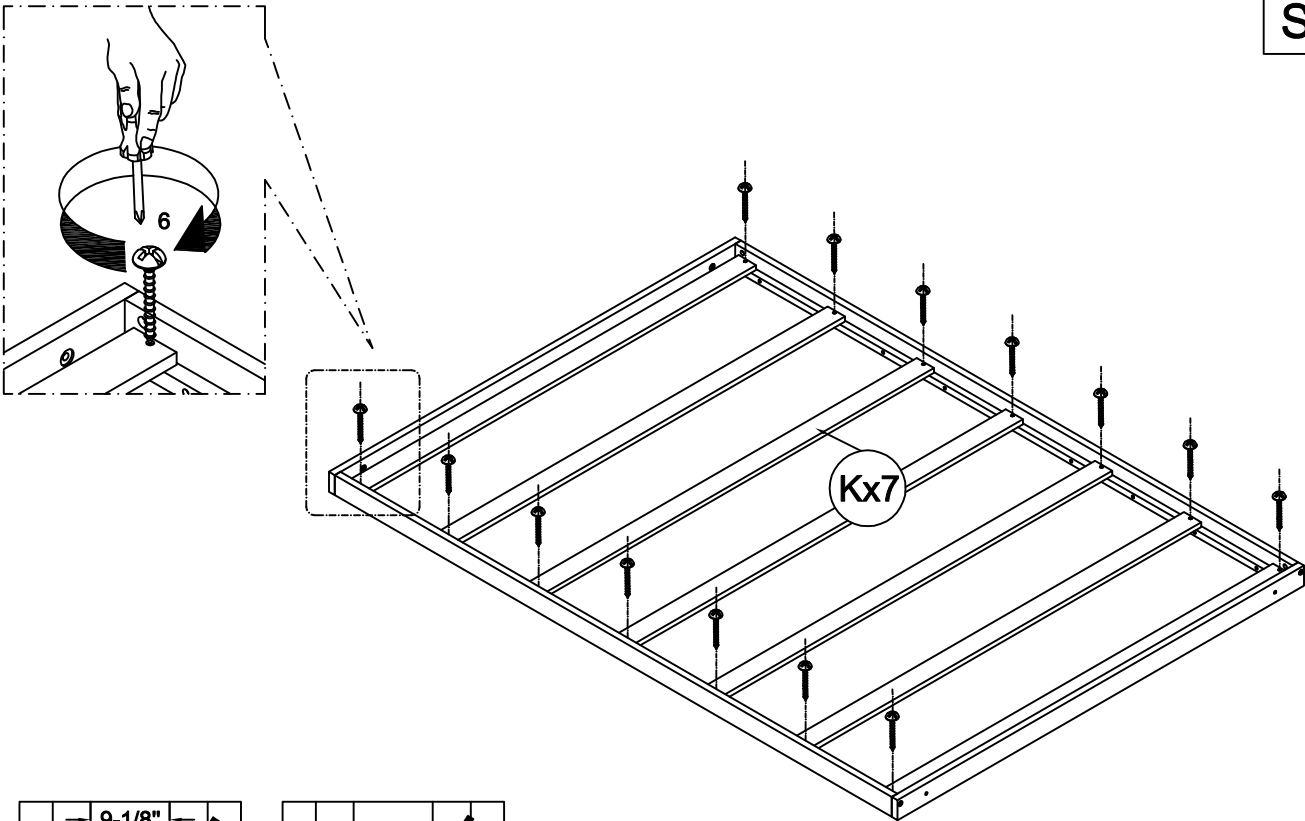
Step11



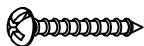
Note: Part 4 will face up with the "x" mark on it, otherwise it cannot be tightened

<p>9</p>  <p>M6 x 55 mm Hex head bolts 4 pcs</p>	<p>4</p>  <p>M6 x 13 mm Horizontal-hole bolt 4 pcs</p>	<p>5</p>  <p>Ø8 x 30 Wood dowel 4 pcs</p>
--	---	--

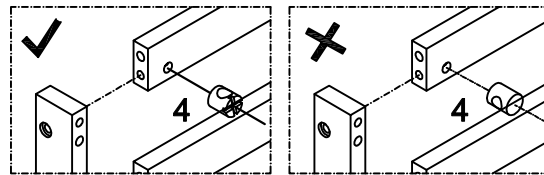
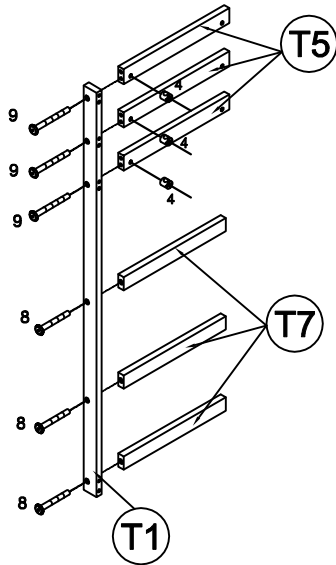
Step12






Note: Do not lock the screws of the trundle slats to the outermost edge the trundle slats, you need to leave a certain space at the edges, otherwise it will cause the board to break

<p>6</p>  <p>M4 x 25 Wood screws 14 pcs</p>
--

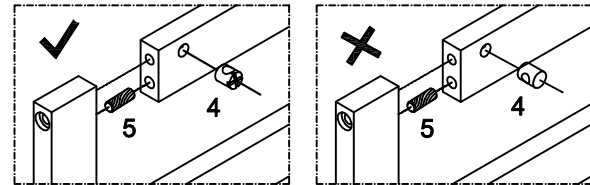
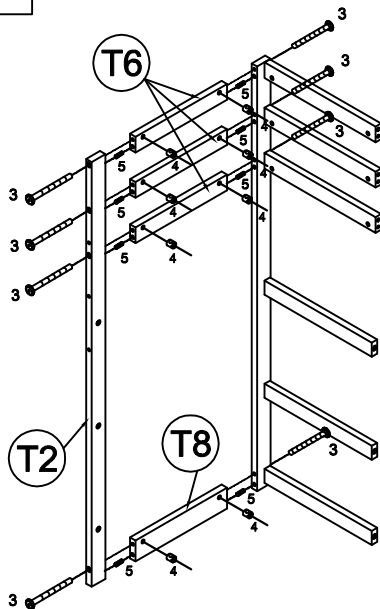
Step13






Note: Part 4 will face up with the "x" mark on it, otherwise it cannot be tightened

<p>9</p>  <p>M6 x 55 mm Hex head bolts 3 pcs</p>	<p>8</p>  <p>M6 x 30 mm Hex head bolts 3 pcs</p>	<p>4</p>  <p>M6 x 13 mm Horizontal-hole bolt 3 pcs</p>
--	---	---

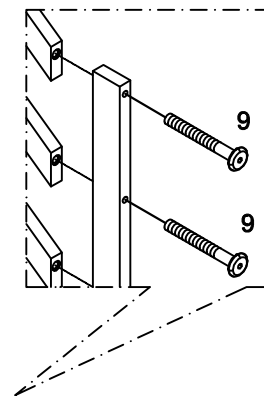
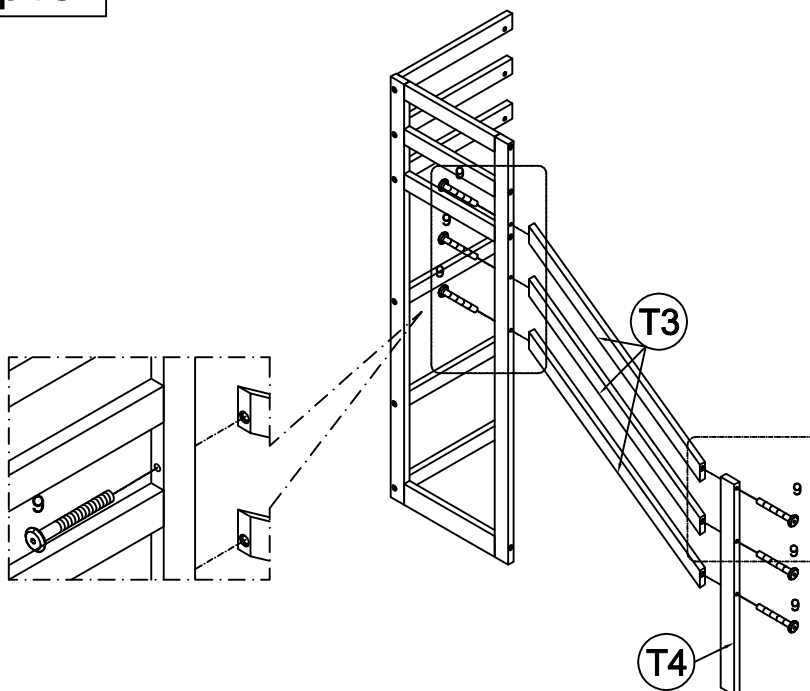
Step14




Note: Part 4 will face up with the "x" mark on it, otherwise it cannot be tightened

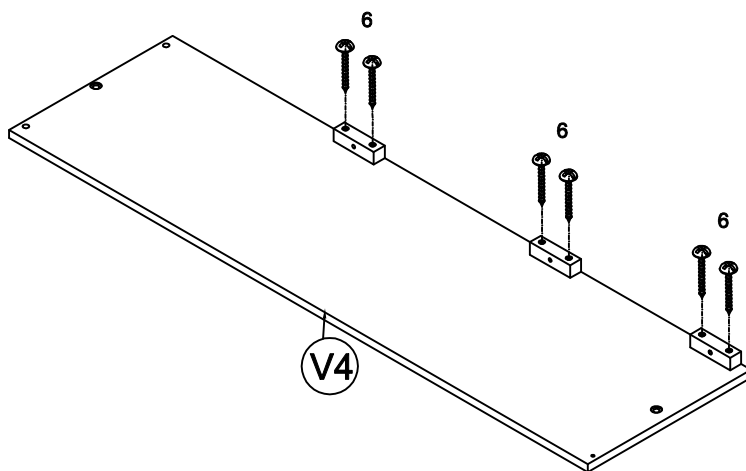
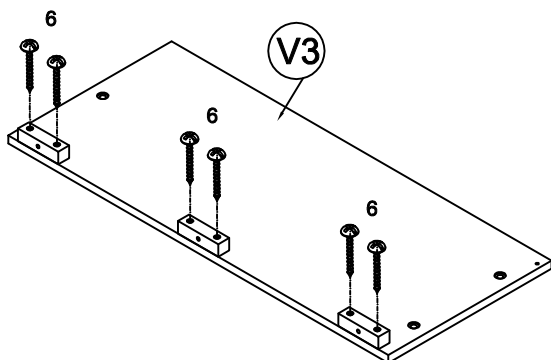
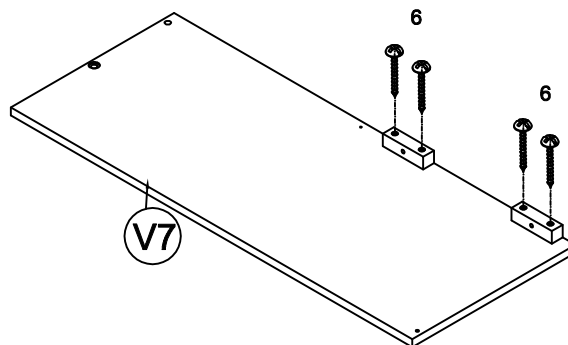
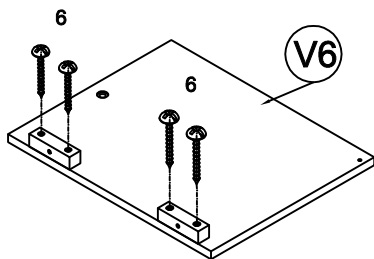
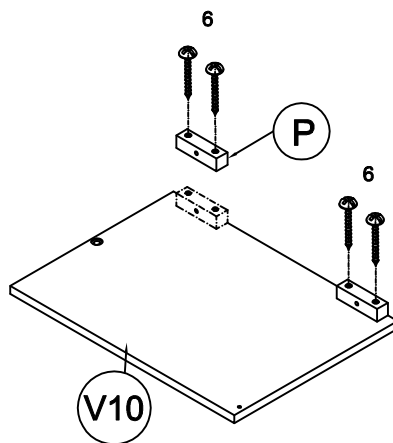
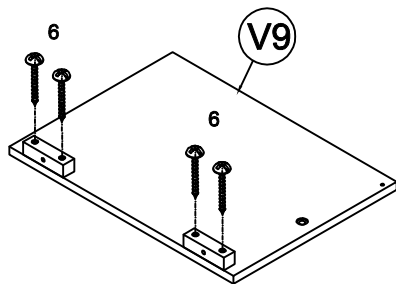
<p>3</p>  <p>M6 x 80 mm Hex head bolts 8 pcs</p>	<p>4</p>  <p>M6 x 13 mm Horizontal-hole bolt 8 pcs</p>	<p>5</p>  <p>Ø8 x 30 Wood dowel 8 pcs</p>
--	---	--

Step15

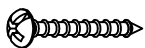


<p>9</p>  <p>M6 x 55 mm Hex head bolts 6 pcs</p>

Step16



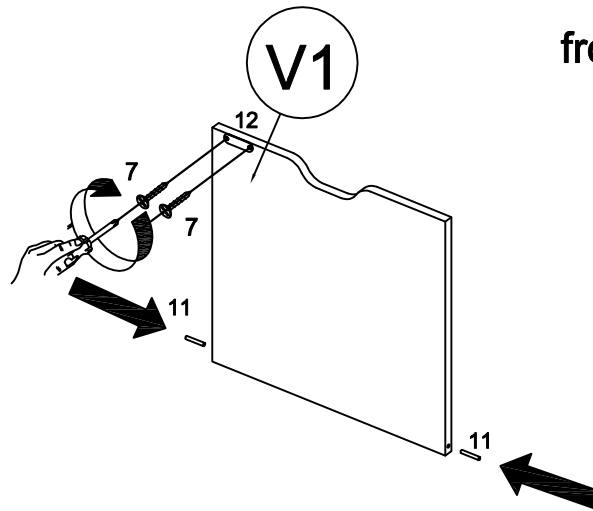
6


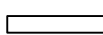
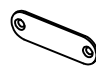


M4 x 25
Wood screws
28 pcs

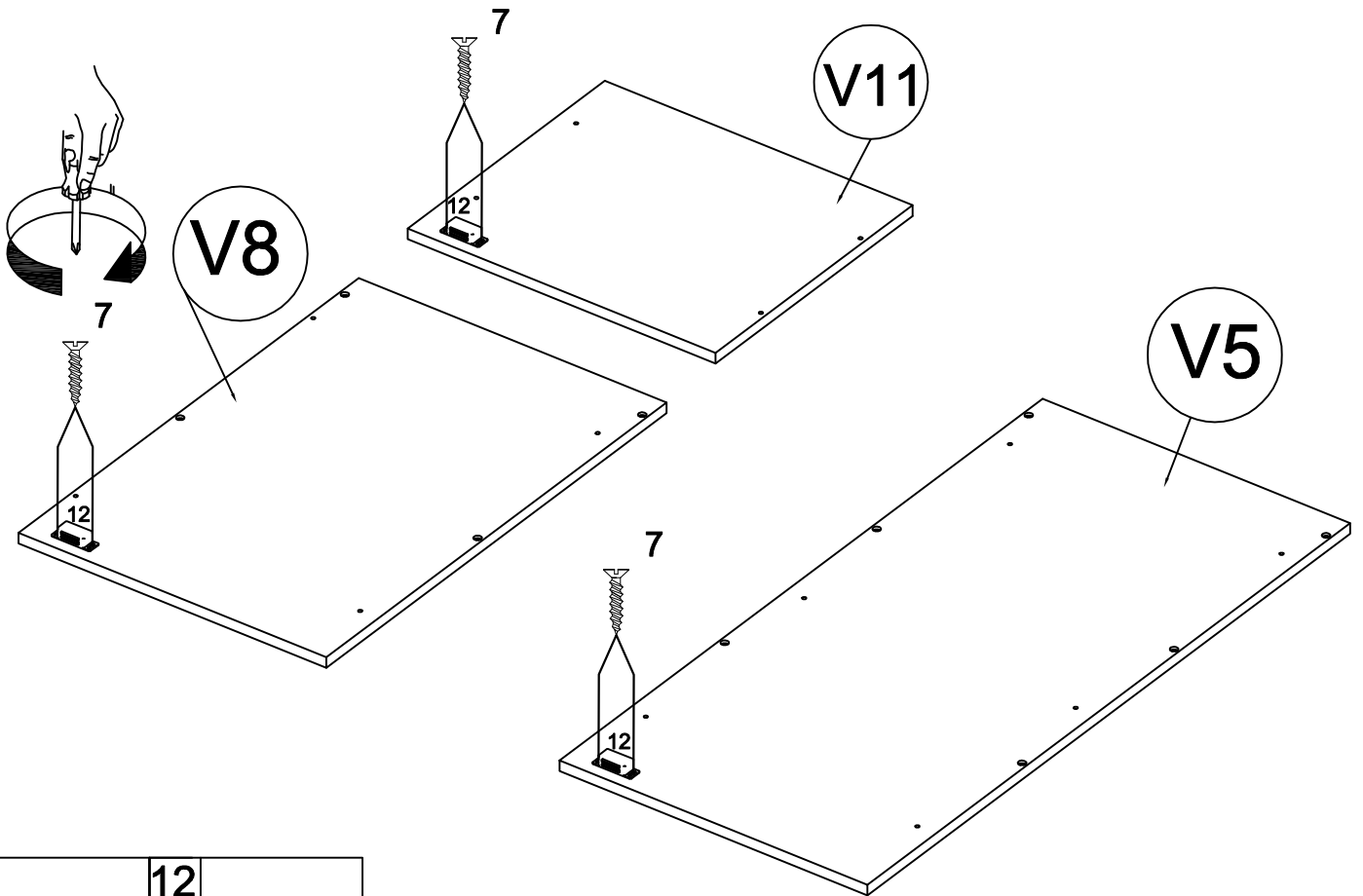
Step17


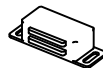
front drawer - 3 sets



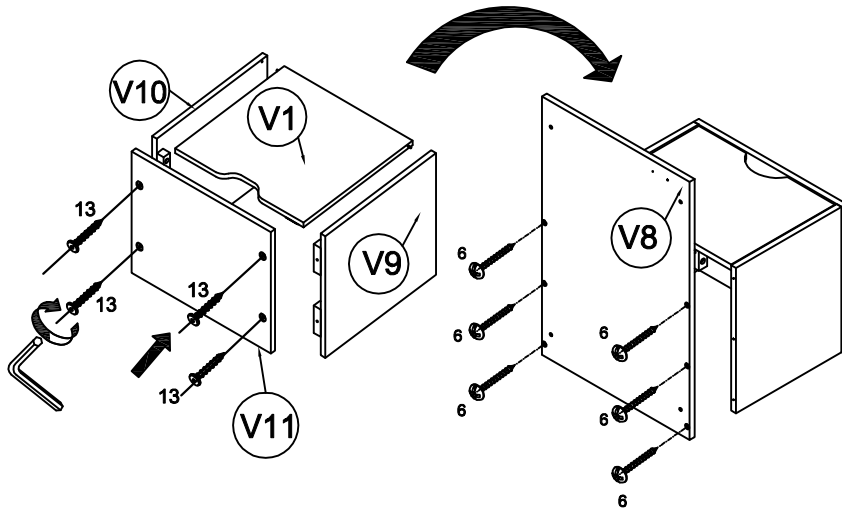
<p>7</p>  <p>m3 x 12 Wood screws 6 pcs</p>	<p>11</p>  <p>m4 x 20 steel dowel 6 pcs</p>	<p>12</p>  <p>magnet 3 pcs</p>
--	---	--

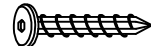
Step18

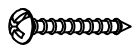


<p>7</p>  <p>m3 x 12 Wood screws 6 pcs</p>	<p>12</p>  <p>Magnet 3 pcs</p>
--	--

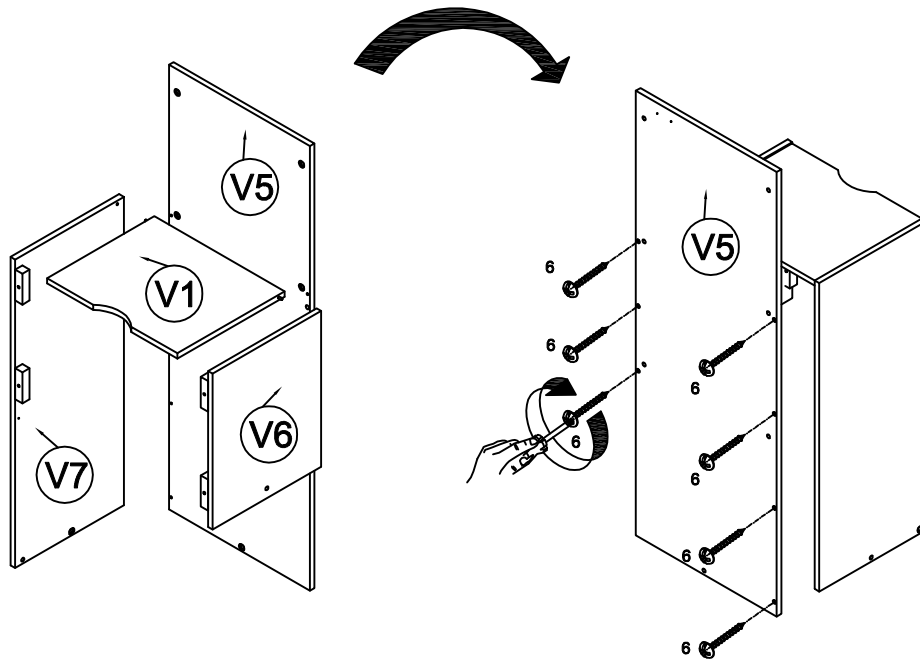
Step 19

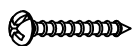


13 
M6 x 30
Wood screws
4 pcs

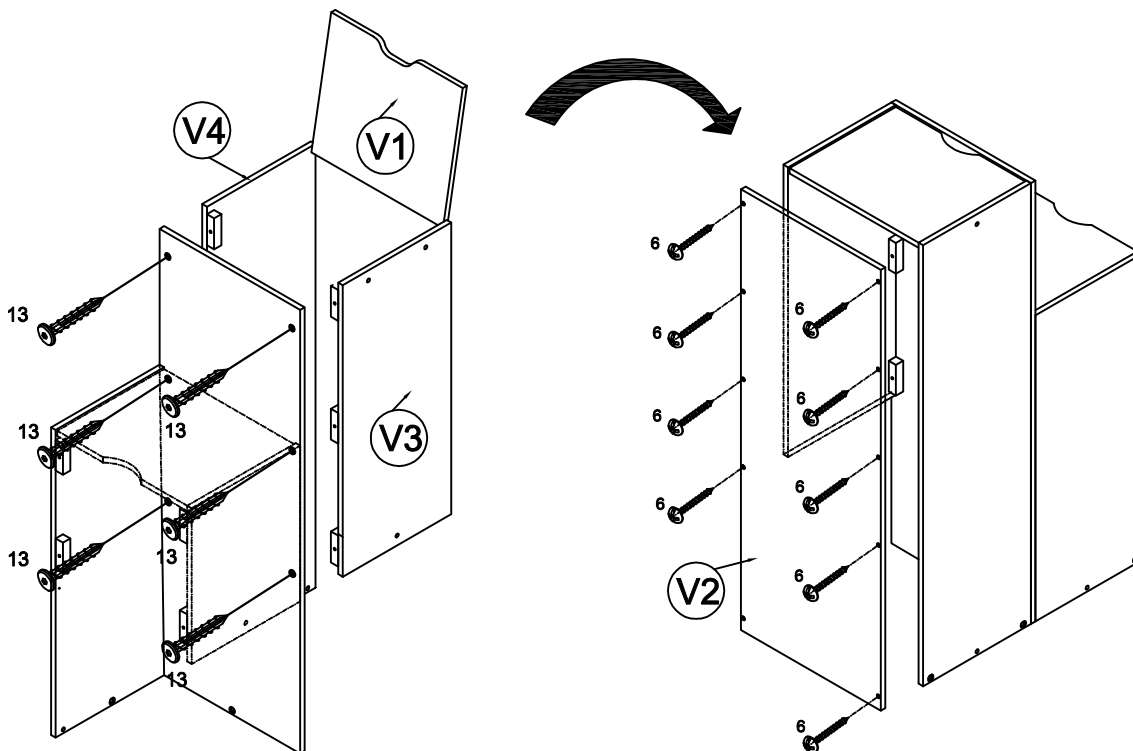
6 
M4 x 25
Wood screws
6 pcs

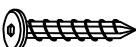
Step 20

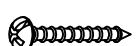


6 
M4 x 25
Wood screws
7 pcs

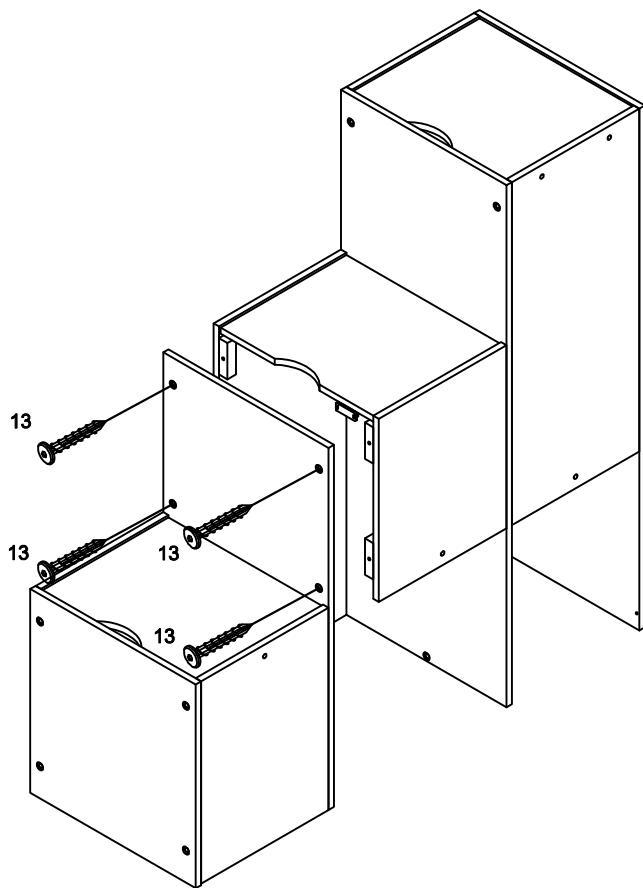
Step 21



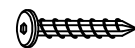
13 
M6 x 30
Wood screws
6 pcs

6 
M4 x 25
Wood screws
9 pcs

Step22

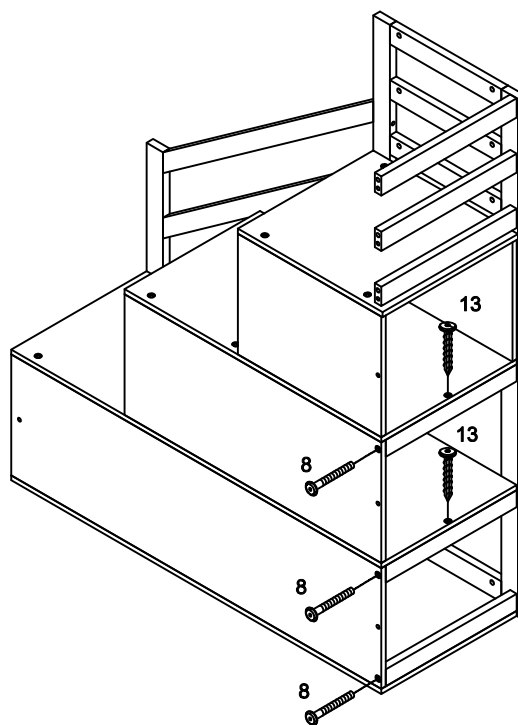
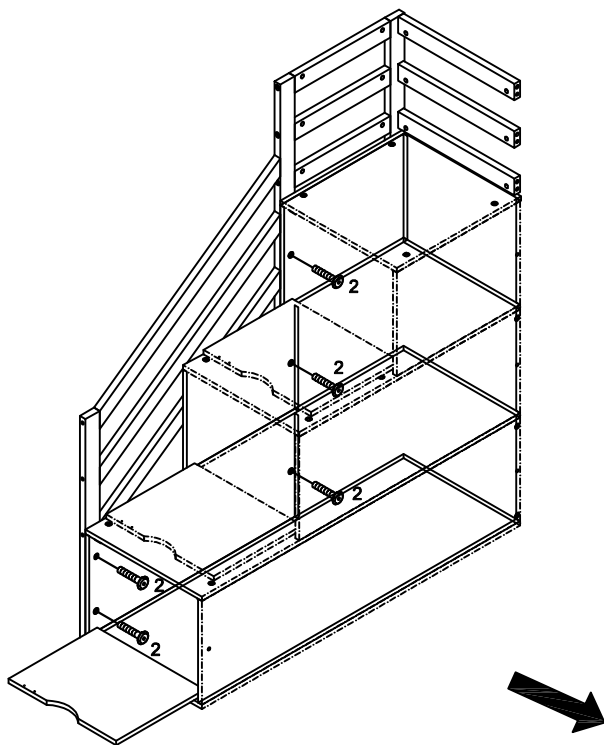


13



M6 x 30
Wood screws
4 pcs

Step23



13



M6 x 30
Wood screws
2 pcs

8



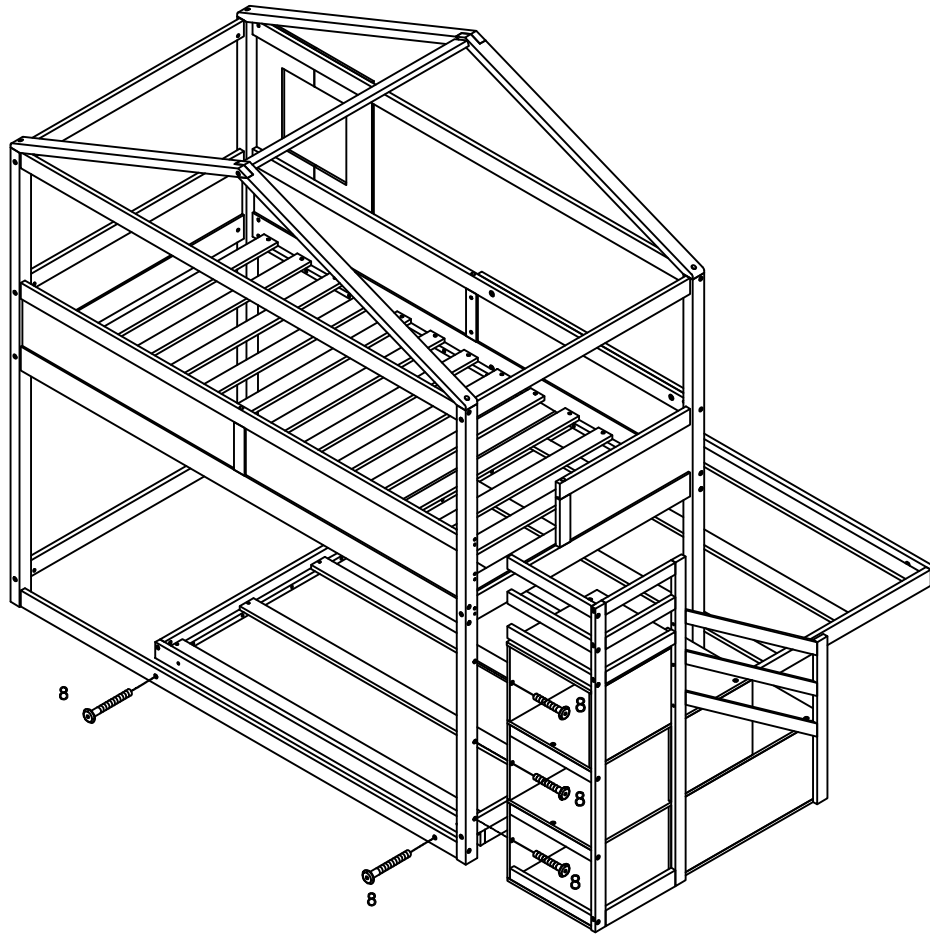
M6 x 30
Hex head
bolts 3 pcs

2



M6 x 25
Hex head
bolts 5 pcs

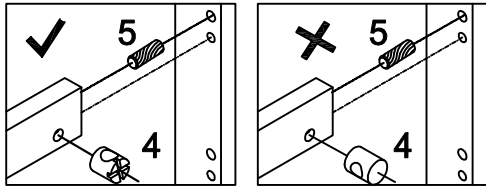
Step24



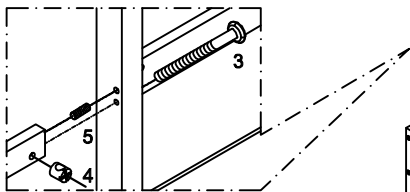
8



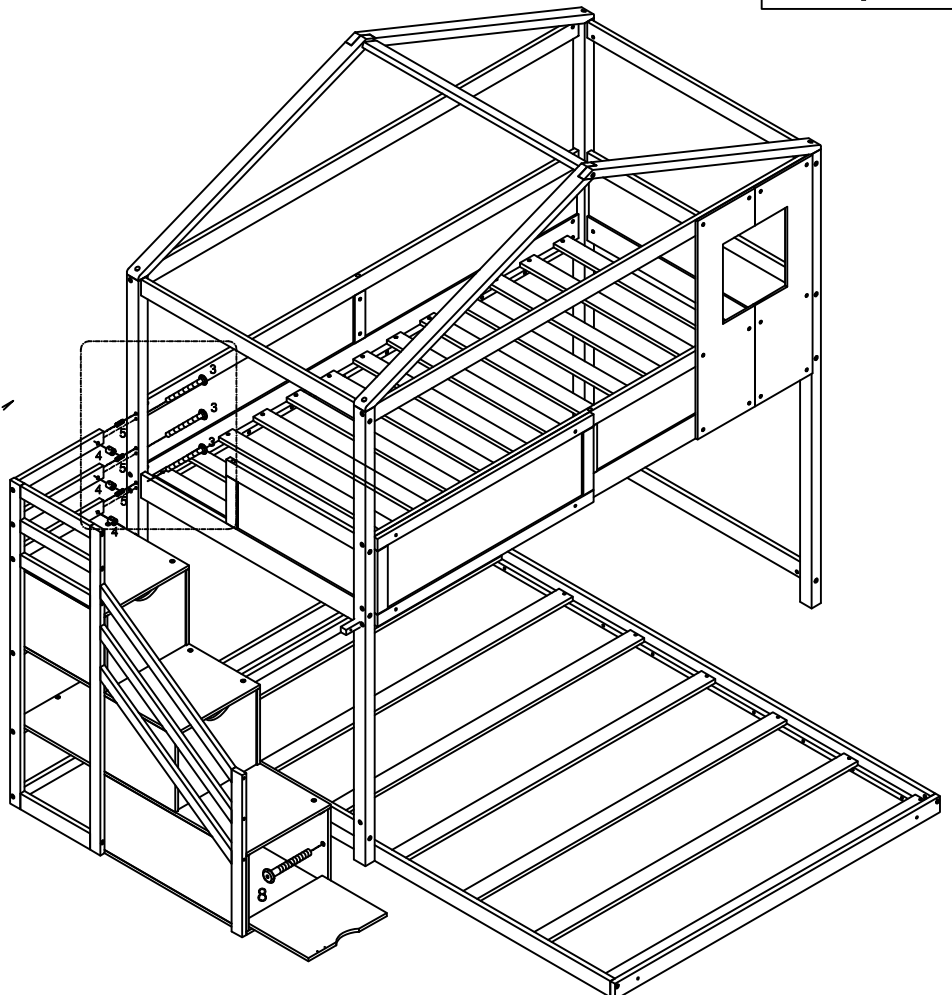
M6 x 30
Hex head bolts
5 pcs



Note: Part 4 will face up with the "x" mark on it, otherwise it cannot be tightened



Step25



5



Ø8 x 30
Wood dowel
3 pcs

4



M6 x 13 mm
Horizontal-hole
bolt 3 pcs

8



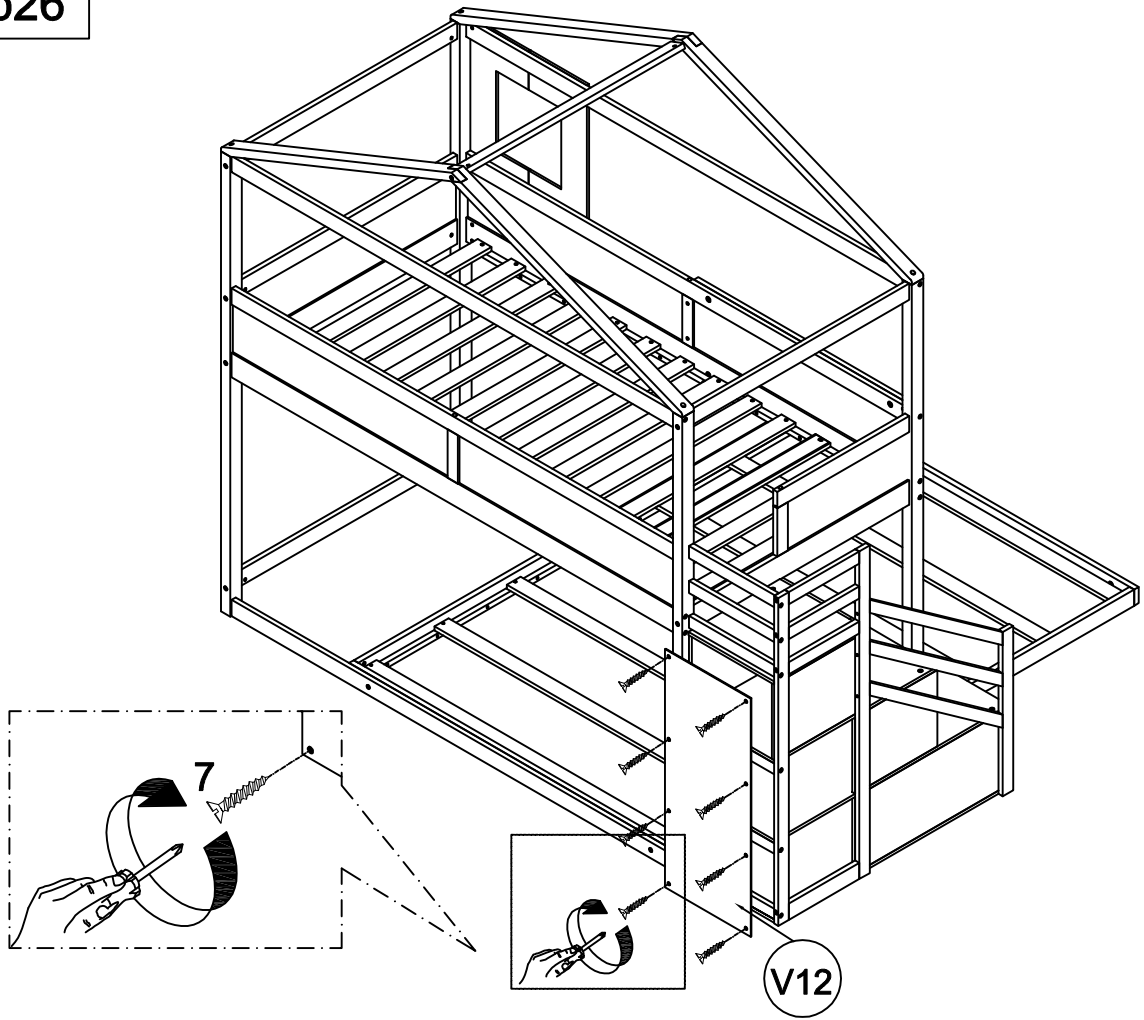
M6 x 30
Hex head bolts
1 pcs

3



M6 x 80
Hex head bolts
3 pcs

Step26



Step27

