



AQUA

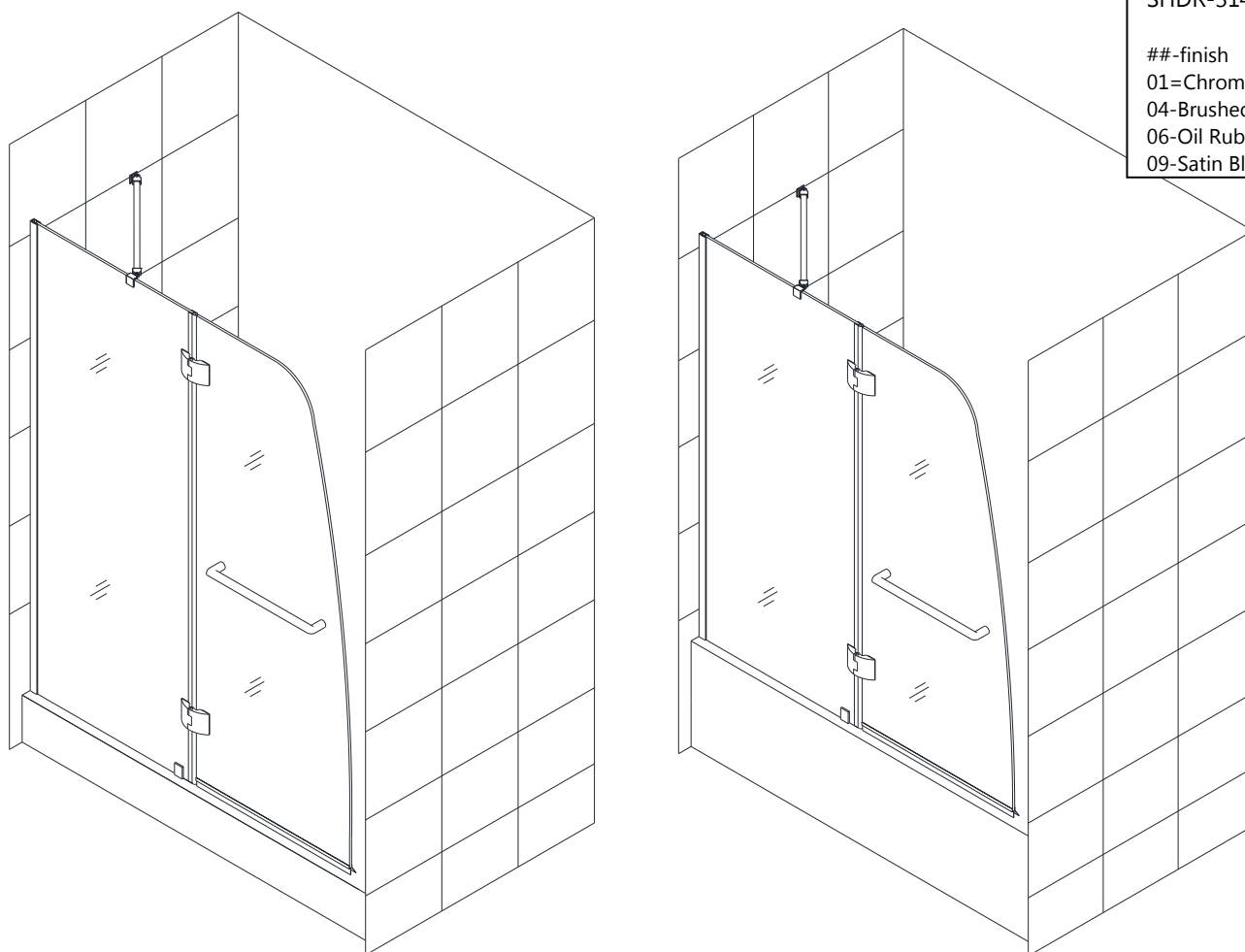
SHOWER / TUB DOOR INSTALLATION INSTRUCTIONS

IMPORTANT

DreamLine™ reserves the right to alter, modify or redesign products at any time without prior notice. For the latest up-to-date technical drawings, manuals or any other details please refer to your model's web page on BathAuthority.com

Model #s:
SHDR-3148586-##

##-finish
01=Chrome
04=Brushed Nickel
06=Oil Rubbed Bronze
09=Satin Black



Right hand door installation shown

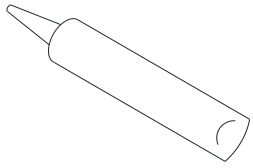
Please read these instructions carefully before installing. If you have any questions regarding installation, please contact our technical support specialists Monday through Friday 8:00 AM – 7:00 PM EST at Phone: [1-866-731-2244](tel:1-866-731-2244), Fax: [1-866-857-3638](tel:1-866-857-3638) or e-mail our technical support group at Support@BathAuthority.com

For more information about DreamLine™ products please visit www.BathAuthority.com

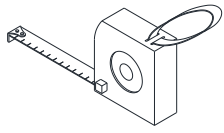
Preparation

1. Prior to installation, examine all boxes and packages for shipping damage and compare the piece count with your packing slip. After opening all boxes and packages read this introduction carefully. Check that all of the needed parts are included in the package by checking off the components on the "Detailed Diagram of Shower Door Components". If the unit has been damaged, has a finishing defect, or has missing parts, please contact our customer support department within **3 business days** of the delivery date. Please note that **DreamLine™ will not replace any damaged products or missing parts free of charge after 3 business days or if the product has been installed.** Feel free to contact DreamLine™ if you have any questions, and please provide an order number, job name or other proof of purchase to help us identify your original order.
2. **Please note that you should consult your local building codes with questions on installation compliance standards. Building and plumbing codes may vary by location, and DreamLine is not responsible for code compliance standards for your project and will not accept any returns.**
3. If this unit is going to be installed in a new construction, please, install all of the required plumbing and drainage before installing the shower. **Use a competent and licensed (if required by local code) plumber for all plumbing installation period.**
4. Prior to installation, please ensure that the installation surface is finished, level and solid and will be able to support the total weight of the unit. Also, make sure that the walls are plumb. Depending on the type of unit you are installing, some adjustments in leveling may be possible. However, irregular installation, surface level or out of square conditions can result in serious problems for your installation. Please note that some adjustments and drilling may be necessary. Please protect all primary surfaces of the product during installation. **Never set your glass down directly onto a tile floor.** Always use a piece of wood or cardboard to protect the bottom edge and corners of the glass.
5. This model has 3/8" of adjustment for out-of-plumb wall conditions within the wall profile.
6. This model requires that you drill into the threshold for proper installation.

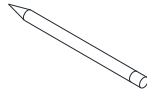
Tools Required



Caulk



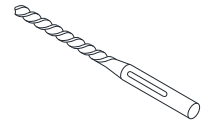
Tape Measure



Pencil



Phillips Screwdriver



Drill bit (Ø=5/16")



Level



Caulk Gun



Electric Drill

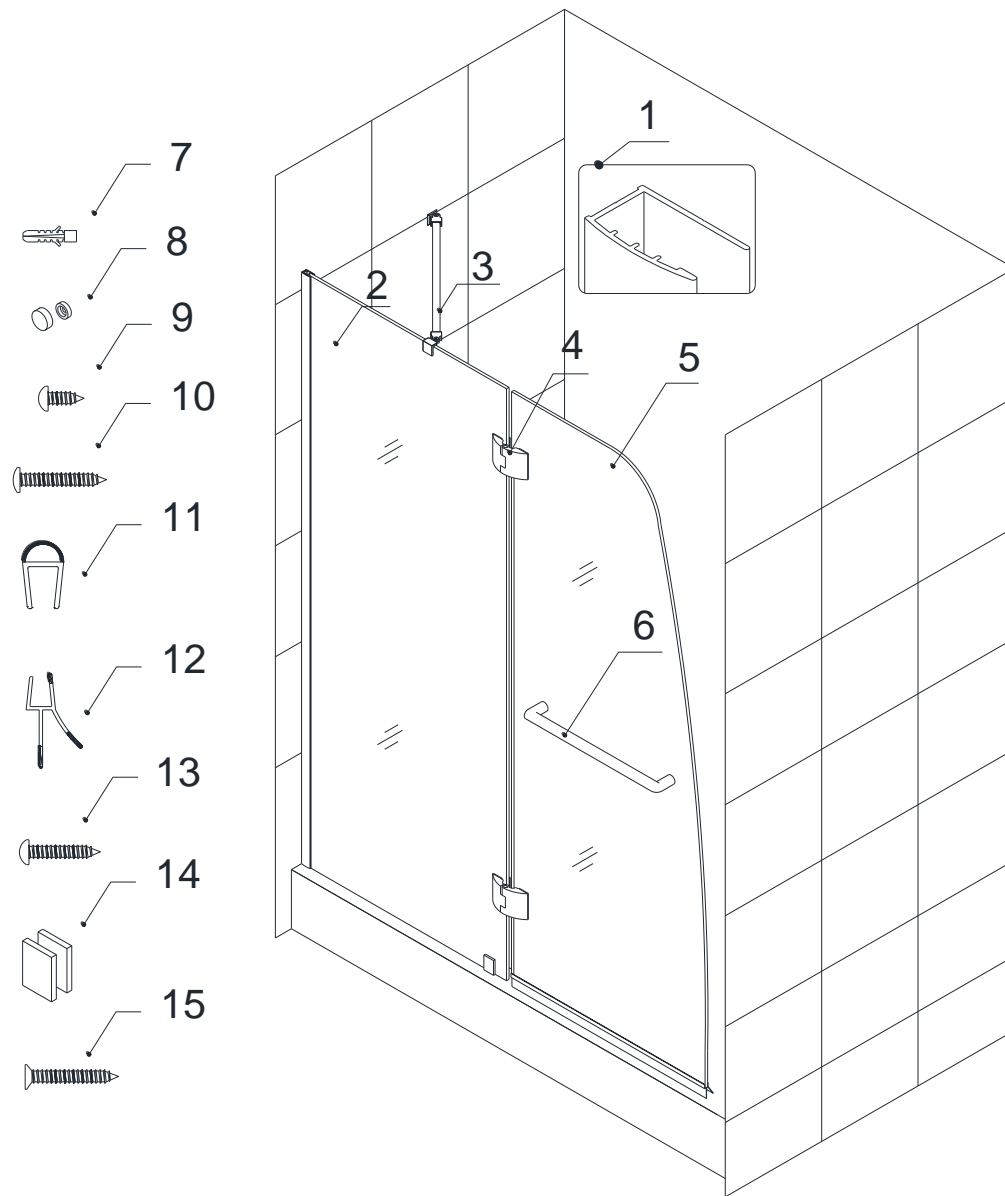


Hammer



Drill bit (Ø=1/8")

Detailed Diagram of Shower Door and Tub Door Component



Packing List

01	Wall profile	1pc	09	Round Head screw ST4.2x10	2pcs
02	Stationary glass	1pc	10	Big head screw ST4.2x40	4pcs
03	Support bar	1pc	11	Anti-Water strip	1pc
04	Hinge	2pcs	12	Bottom anti-water strip	1pc
05	Glass door	1pc	13	Round head screw ST4.2x25	1pc
06	Towel bar	1pc	14	Bottom bracket	1pc
07	Wall anchor	5pcs	15	Countersunk screw ST4.2x40	1pc
08	Decorative caps	2pcs			

NOTE: Unpack your unit carefully and inspect it. Lay it out and identify all parts using the detailed diagram in this manual as a reference. Before discarding the carton, check for small hardware bags that may have fallen to the bottom of the box. If any parts are damaged or missing, please contact DreamLine™ for replacement.

NOTE: Retain these installation instructions for future reference.

Shower/Tub Door Installation

1. Place the **Wall profile (01)** to the wall above the shower base or tub and level it vertically.

See Fig. 1 for details.

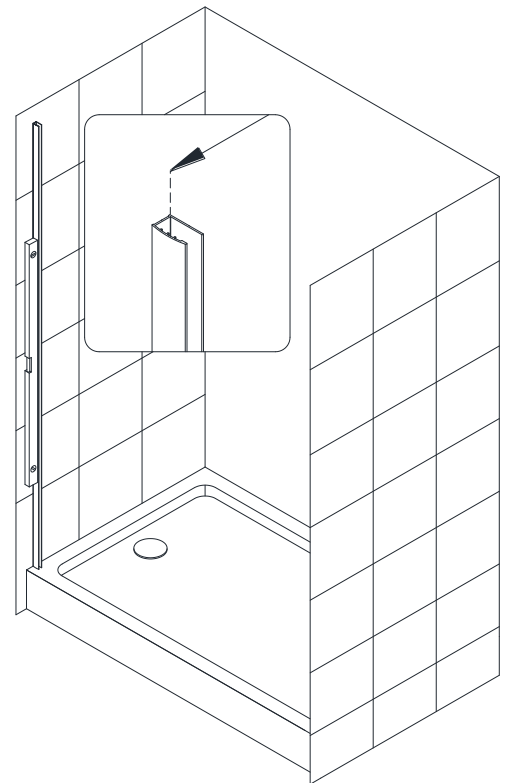


Fig. 1

2. Mark the drilling holes on the wall through the holes in the **Wall profile (01)**.

Place the **Wall profile** aside, drill the holes using $\text{Ø}5/16''$ drill bit and insert the **Wall anchors (07)**.

Apply silicone caulk along the wall profile and around the holes on the wall.

Place the **Wall profile** back into the designated position and secure it to the wall using 4 of the **Big head screws ST4.2×40 (10)**.

See Fig. 2 for details.

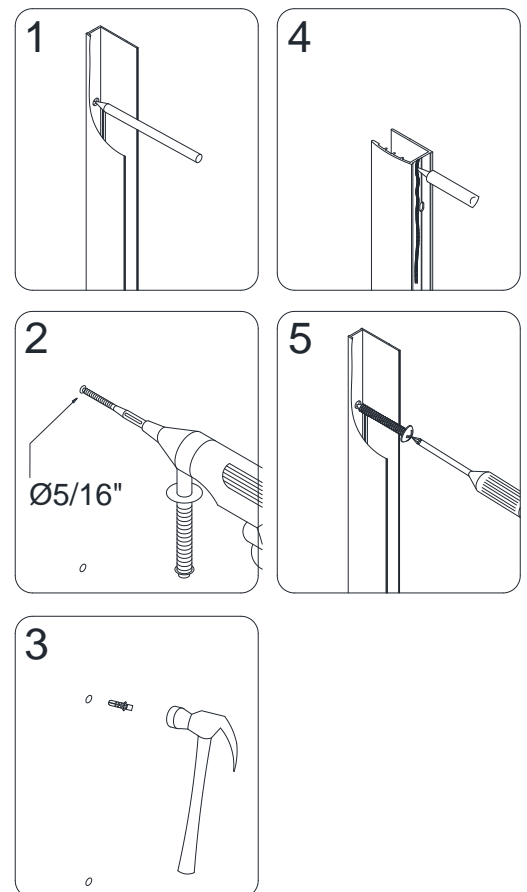


Fig. 2

- Slide the **Stationary glass (02)** into the groove of the **Wall profile (01)**.

See Fig. 3 for details

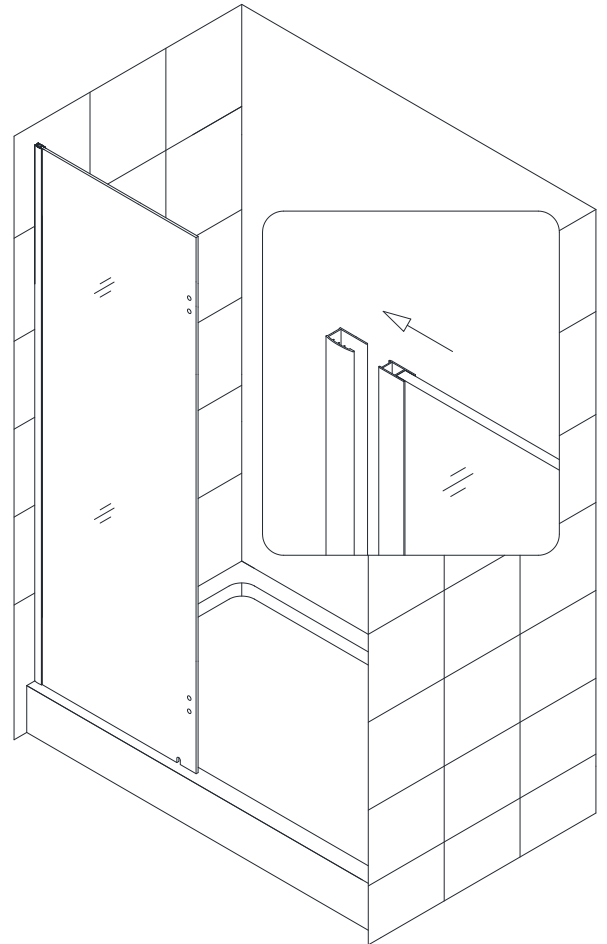


Fig. 3

- Take apart the **Bottom bracket (14)**.

Place the Bottom bracket base into the notch on the bottom of the **Stationary glass (02)** from inside and mark the drill hole on the threshold, tray or bathtub.

Remove the glass, drill the hole using $\text{Ø}1/8''$ drill bit and secure the Bottom bracket base with **Round head screw ST4.2×25 (13)**.

See Fig. 4 for details.

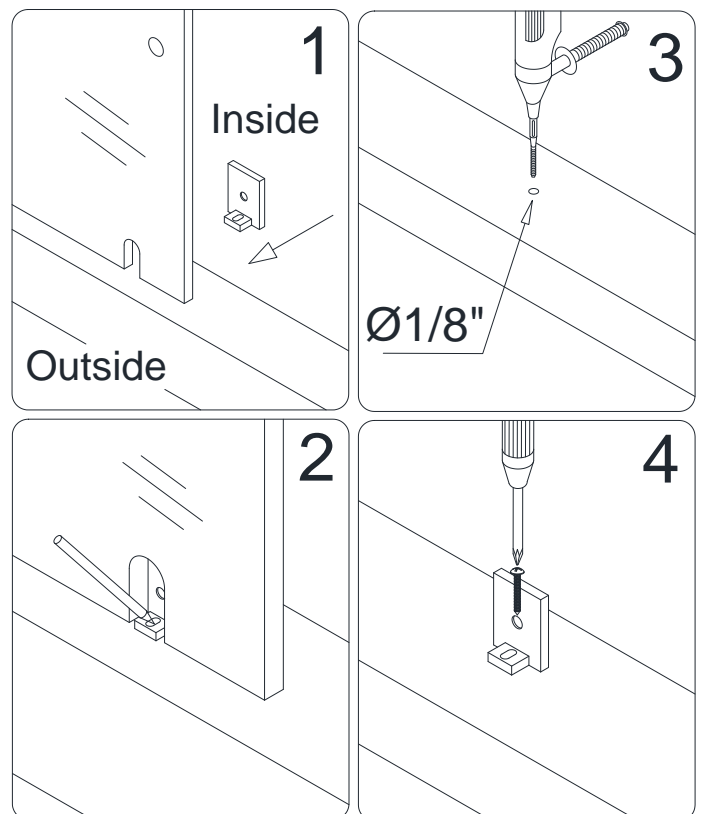


Fig. 4

5. Place the **Stationary glass (02)** back into the **Wall profile (01)** and assemble the **Bottom bracket (14)**.

See Fig. 5 for details.

NOTE: Make sure to use clear rubber gasket to prevent glass to metal connection.

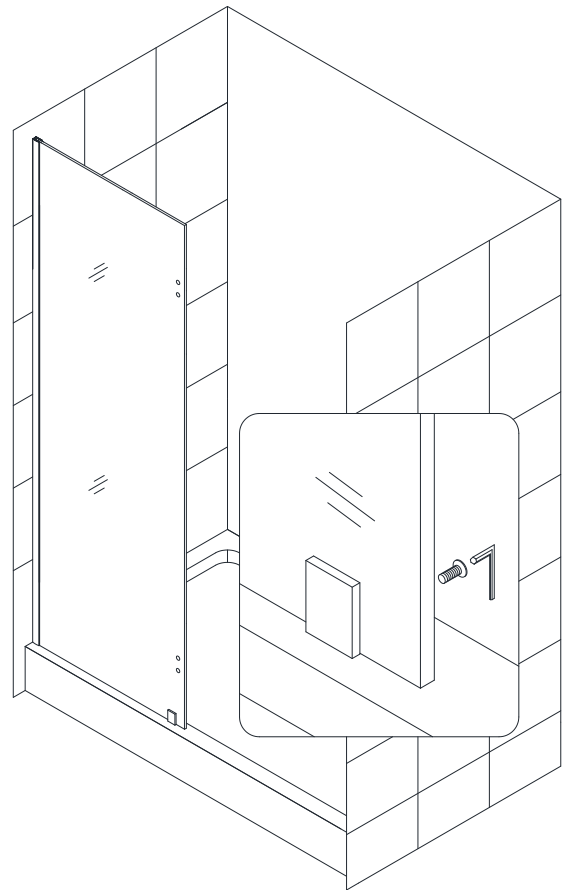


Fig. 5

6. Locate the **Support bar (03)**.

Adjust the **Support bar** at the angle that will provide adequate support to the glass and the wall. Level it horizontally. Hold it firmly and outline the bracket's position on the wall. Remove the **Support bar** and detach the wall bracket from it. Place the wall bracket against its outlined position on the wall and mark the drilling hole.

Drill the hole using $\text{Ø } 5/16''$ drill bit, insert the **Wall anchor (07)** and fasten the wall bracket to the wall with the **Countersunk screw ST4.2×40 (15)**. Attach the **Support bar** to the wall as shown on Fig. 7.4 and tighten the set screws and the glass holding screw to secure the glass.

See Fig. 6 for details.

NOTE: Make sure to use clear rubber gasket to prevent glass to metal connection.

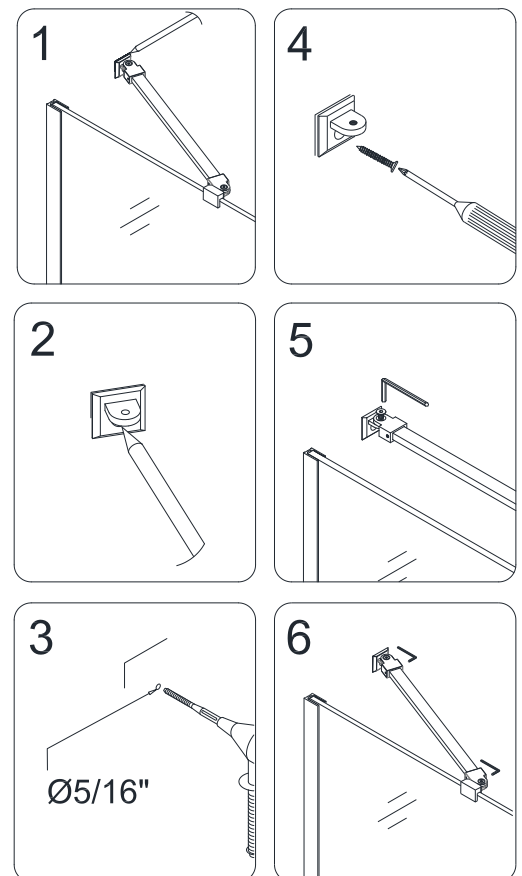


Fig. 6

7. Install both **Hinges (04)** on the **Stationary glass (02)** with the decorative non-screw side facing outwards. Hang the **Glass door (05)** from the inside. You will need assistance in this process.

NOTE: Use 5/8" shim beneath the glass door to hold it in position while you attach the hinges.

NOTE: Use clear rubber gasket to prevent glass to metal connection.

Begin at the top hinge when hanging the door. Do not swing, lean on, bend or move in any way the **Glass door** until both hinges are securely installed, as this could snap the hinge or break the glass.

After the hinges are installed, open and close the door to make sure the operation is nice and smooth. Perform necessary adjustment so that the top edge of the door is align with the stationary glass.

See Fig. 7 and Fig. 8 for details.

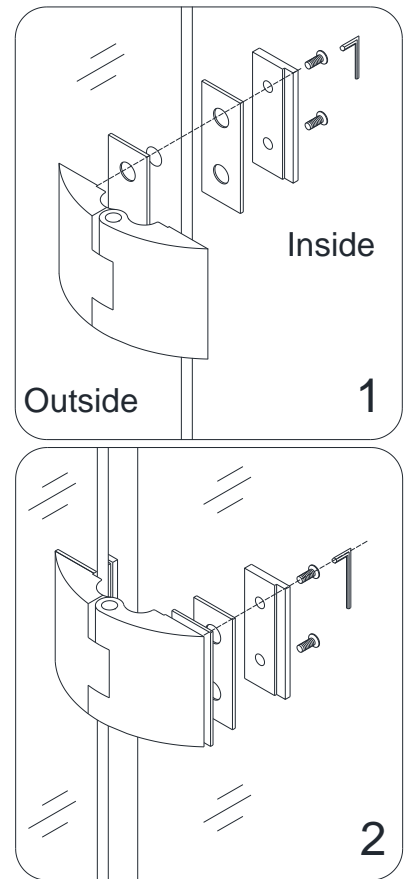


Fig. 7

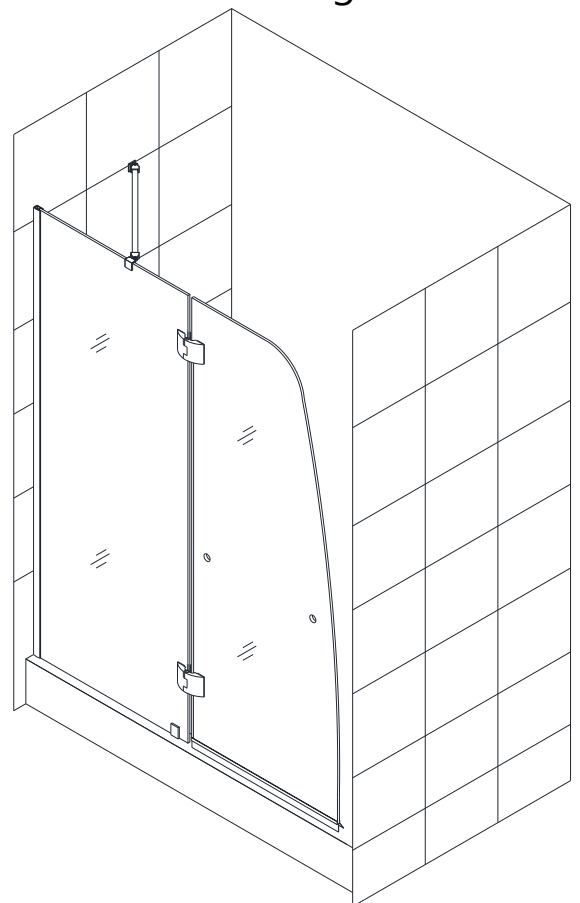


Fig. 8

8. Install the **Towel bar (06)** onto the **Glass door (05)**.

Attach the **Anti-water strip (11)** over the vertical edge of the **Glass door (05)**. Attach the **Bottom anti-water strip (12)** over the bottom edge of the **Glass door**.

See Fig. 9 for details.

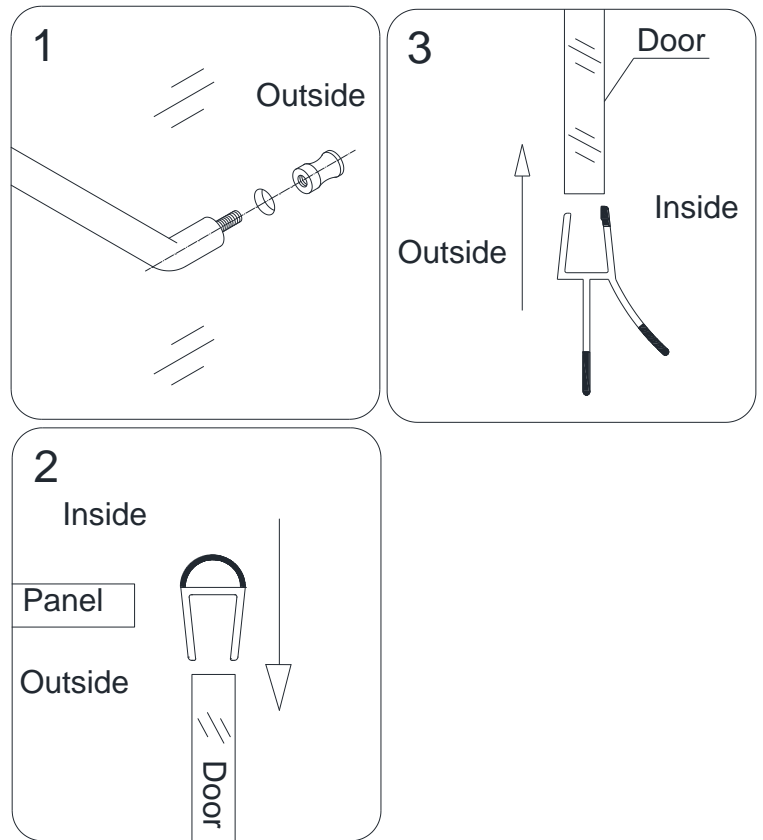


Fig. 9

9. After final adjustment is complete, drill holes on each end through the predrilled holes in the **Wall profile (01)** into the first layer of the aluminum profile on the **Stationary glass (02)** using $\text{Ø } 1/8''$ drill bit.

Use **2 Round head screws ST4.2×10 (09)** with the raised washers to secure the aluminum profile on the **Stationary glass** inside the **Wall profile**. Cover the exposed screw heads with **Decorative caps (08)**.

See Fig. 10 for details.

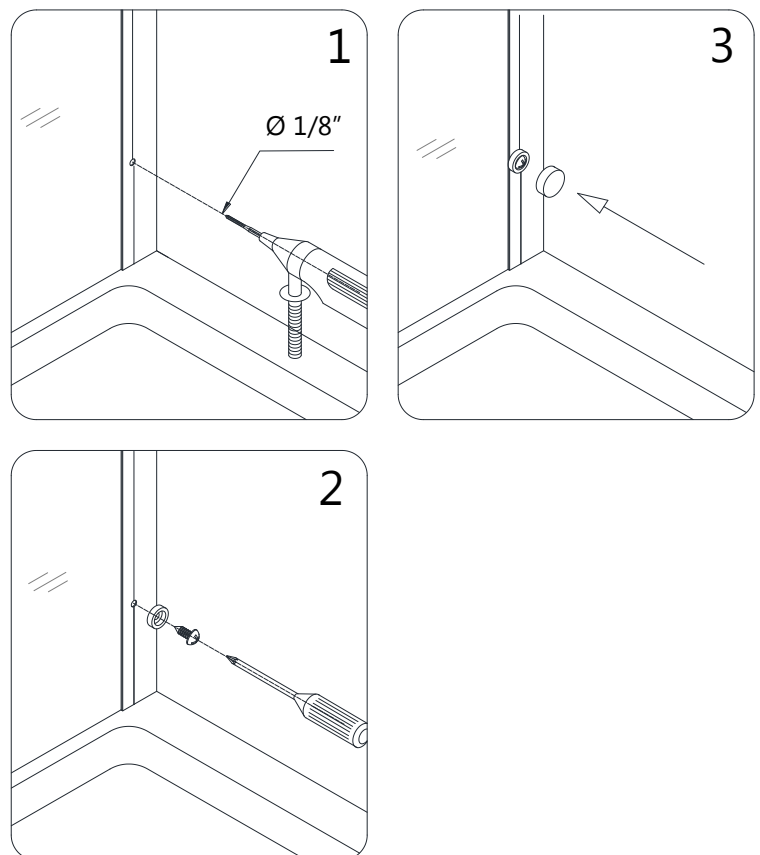


Fig. 10

10. Apply caulk inside and outside along bottom and vertical edge of the stationary glass and wall profile.

See Fig. 11 for details.

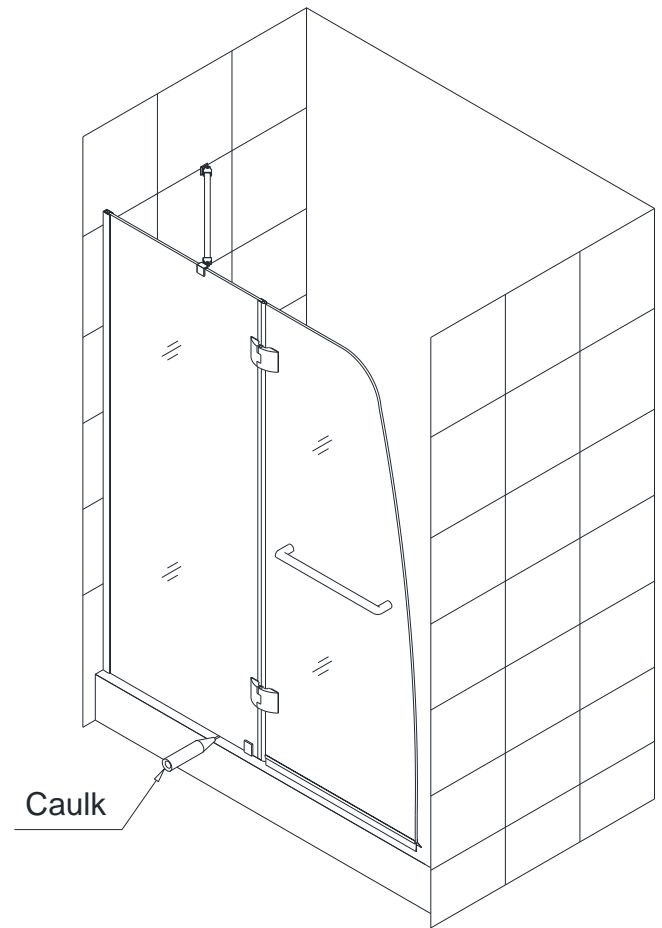


Fig. 11

Product Maintenance

BASES and BACKWALLS: To ensure a long life for your acrylic back walls: wipe them off after each use with a soft cloth. To clean the acrylic back walls use non-abrasive sprays or cream based cleaners. Never use abrasive cleansers, metal brushes or scrapers that could scratch or dull the surface.

GLASS: To ensure long lasting life for your glass shower products: wipe them off after each use with a soft cloth. Rinse and wipe off the glass using either a soft cloth or a squeegee to prevent soap buildup and water spots. To prevent scratching the surface: never use abrasive cleaners and cleaning products that contain scouring agents. Never use bristle brushes or abrasive sponges.

HARDWARE: To ensure a long lasting finish: wipe off the metal parts after each use with a soft cloth. Do not use abrasive cleaners or cleaning products containing ammonia, bleach or acid. If accidentally used, rinse the surface as soon as possible to prevent finish peeling or corrosion. After cleaning the shiny finishes, rinse thoroughly and wipe dry with soft cloth. Clean stainless steel surfaces at least once a week. When applying stainless steel cleaner or polish, work with (not across) the grain. Never use abrasive sponge or cloth, steel wool or wired brushes.



TEL: [866-731-2244](tel:866-731-2244)

FAX: [866-857-3638](tel:866-857-3638)

www.BATHAUTHORITY.COM

For more information on [DreamLine™ Shower Door](#) and [Tub Door](#) please visit www.BathAuthority.com