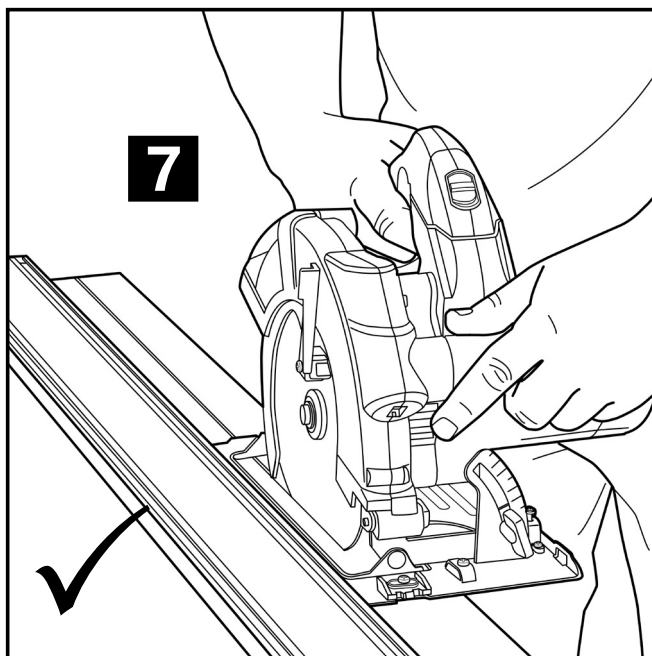
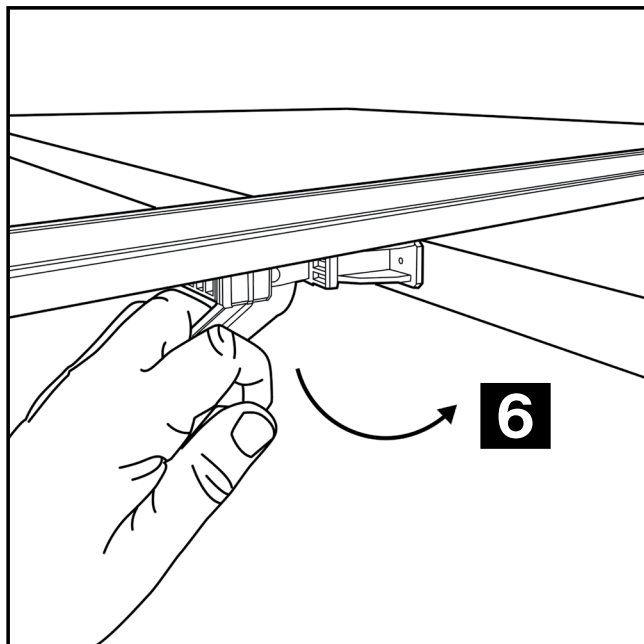
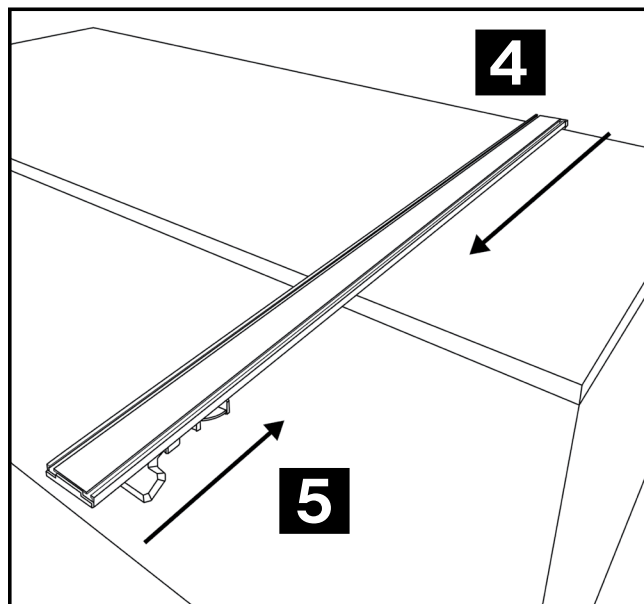
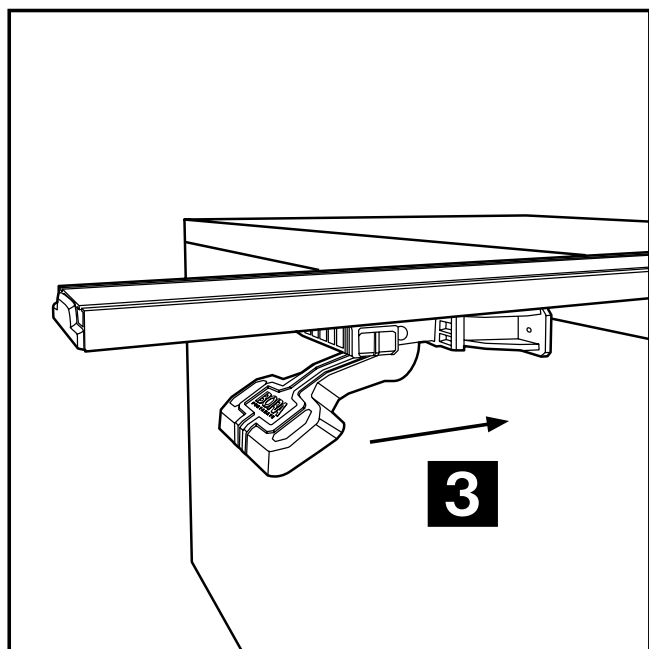
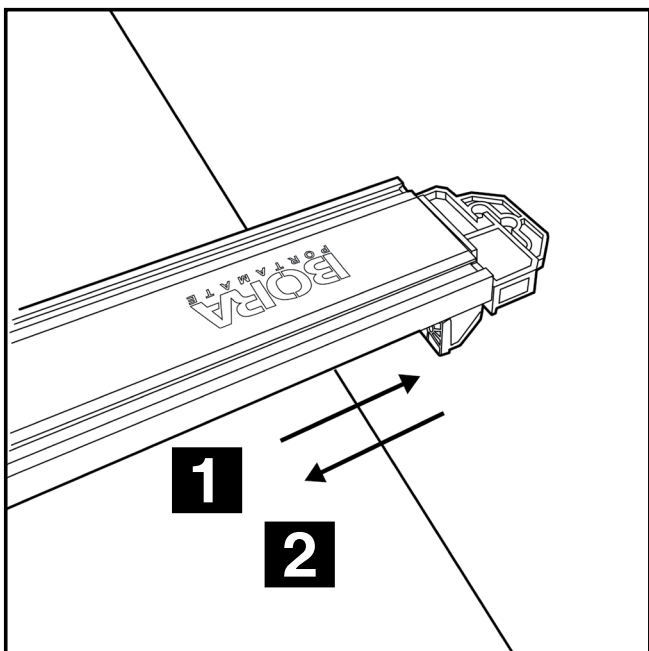


# BORA

PORTAMATE

## NGX Clamp Edge™ Saw Guide System



Go to [boratool.com](http://boratool.com) to view How-To videos for the NGX system