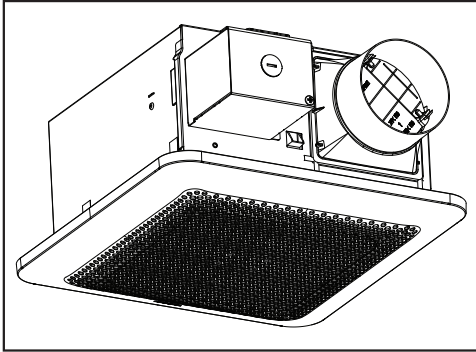


INSTALLATION INSTRUCTIONS Ventilating Fan

Model No. RG-R811HA



READ AND SAVE THESE INSTRUCTIONS

Thank you for purchasing this Panasonic product. Please read these instructions carefully before attempting to install, operate or service the Panasonic product. Please carefully read the "GENERAL SAFETY INFORMATION". Failure to comply with instructions could result in personal injury or property damage. Please explain to users how to operate and maintain the product after installation and this manual should be presented to users. Please retain this manual for future references.

■ See page 12 for "Panasonic Warranty Sheet".

GENERAL SAFETY INFORMATION

For Your Safety

To reduce the risk of injury, loss of life, electric shock, fire, malfunction, and damage to equipment or property, always observe the following safety precautions.

Explanation of symbol word panels

The following symbol word panels are used to classify and describe the level of hazard, injury, and property damage caused when the denotation is disregarded and improper use is performed.

⚠ WARNING Denotes a potential hazard that could result in serious injury or death.

⚠ CAUTION Denotes a hazard that could result in minor injury.

NOTICE Denotes a hazard that could result in property damage.




The following symbols are used to classify and describe the type of instructions to be observed.












	This symbol is used to alert users to a specific operating procedure that must be followed in order to operate this unit safely.
	This symbol is used to alert users to a specific operating procedure that must not be performed.
	This symbol is used to alert users not to disassemble the equipment.
	This symbol is used to alert users to make sure of grounding when using the equipment with the grounding terminal.

GENERAL SAFETY INFORMATION (CONTINUED)

WARNING

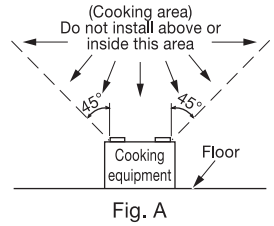
TO REDUCE THE RISK OF FIRE, ELECTRIC SHOCK OR INJURY TO PERSONS, OBSERVE THE FOLLOWING:

-  Use this unit only in the manner intended by the manufacturer. If you have any questions, contact the manufacturer.
-  Before servicing or cleaning unit, switch power off at service panel and lock the service disconnecting means to prevent power from being switched on accidentally. When the service disconnecting means cannot be locked, securely fasten a prominent warning device, such as a tag, to the service panel.
-  Installation work and electrical wiring must be done by qualified person(s) in accordance with all applicable codes and standards, including fire-rated construction.

Sufficient air is needed for proper combustion and exhausting of gases through the flue (chimney) of fuel burning equipment to prevent back drafting. Follow the heating equipment manufacturer's guideline and safety standards such as those published by the National Fire Protection Association (NFPA), and the American Society of Heating, Refrigerating and Air-Conditioning Engineers (ASHRAE) and the local code authorities.
-  When cutting or drilling into wall or ceiling, do not damage electrical wiring and other hidden utilities.
-  Ducted exhaust fans must always be vented to the outdoors.
-  If this unit is to be installed over a tub or shower, it must be marked as appropriate for the application and connected to a GFCI (Ground Fault Circuit Interrupter) - protected branch circuit.
-  These models are UL listed for tub and shower enclosures.
-  Do not disassemble the unit for reconstruction. It may cause fire or electric shock.
-  If this product is no longer to be used, it must be removed from the ceiling to prevent it from falling.
-  The ceiling joist must be able to withstand a static load of at least five times the weight of the product.
-  Do not install with a method which is not approved in the instructions.
-  Do not use this fan with any solid-state speed control device. Solid state controls may cause harmonic distortion which can cause a humming noise in the motor.
-  To reduce the risk of fire, electric shock or injury to persons, do not use replacement parts that have not been recommended by the manufacturer (eg. parts made at home using a 3D printer).
-  This product must be properly grounded.

GENERAL SAFETY INFORMATION (CONTINUED)

- ⚠ Always disconnect the power source before working on or near the fan, motor or junction box.
- ⚠ Protect the supply wiring from sharp edges, oil, grease, hot surfaces, chemicals or other objects.
- ⊘ Do not kink the supply wiring.
- ⊘ For general ventilating use only. Do not use to exhaust hazardous or explosive materials and vapors.
- ⊘ Do not install fan above or inside a 45-degree angle projected outwards from the cooking equipment element closest to the fan. (Fig. A)
- ⚠ The special-purpose or dedicated parts, such as mounting fixtures, must be used if such parts are provided.



NOTICE

- ⚠ Provide make up air for proper ventilation.
- ⊘ Do not connect multiple units in parallel. If two or more units are connected to one switch in parallel, the units may not function.
- ⊘ Do not install the unit where ducts are configured as shown in below:



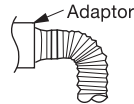
Excessive bending



Successive bending



Squeezed duct



Bend close to duct adaptor

DESCRIPTION

These products are listed by UL under UL file No. E78414.


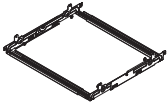

These products use a sirocco fan driven by a DC motor powered by an integral transformer. The motor is designed to have long operating life, high dynamic response, higher speed ranges and energy savings. The grille covering the fan body is a spring-attached, quick removal type. A damper for preventing air counter flow is provided. The blower uses a high-capacity sirocco fan developed to reduce the noise level.




This Panasonic ventilating fan model is equipped with a humidity sensor that turns the fan on automatically when humidity increases rapidly, or when humidity rises above a 30% - 80% relative humidity set-point.

UNPACKING

Unpack and carefully remove the unit from carton. Refer to the Supplied Accessories list to verify that all parts are present.

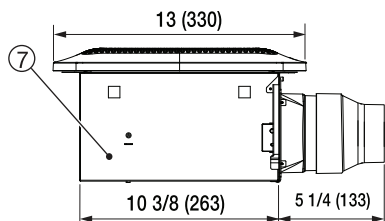
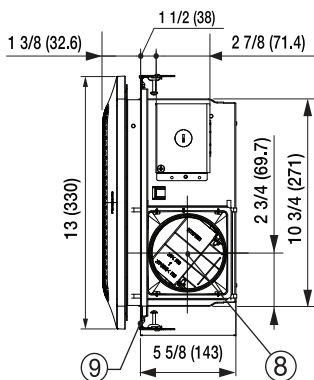
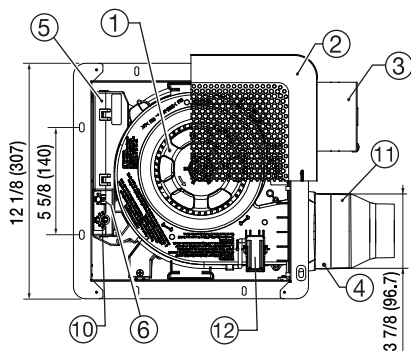
SUPPLIED ACESORIES

Part name	Appearance	Quantity
Grille		1
Flex-Z Fast™ bracket (with 4 tapping screws -ST4.2X20)		1
Self-drilling screw		4

Part name	Appearance	Quantity
Installation instructions / Warranty sheet		1
3 inch duct reducer (optional part)		1
Machine screw (M4X8)		1

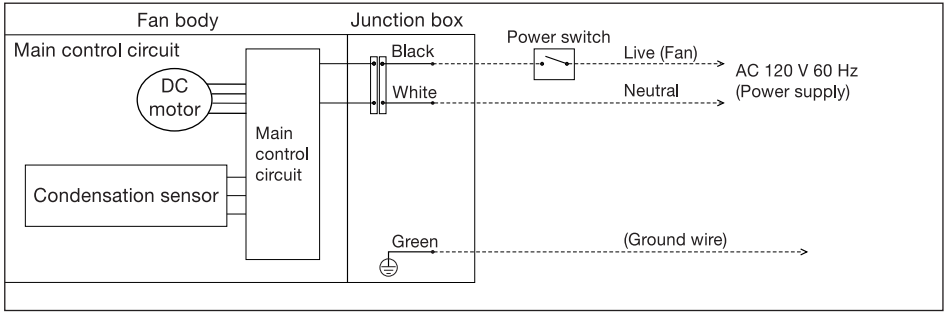
DIMENSIONS

Unit: inches (mm)



No.	Part name	No.	Part name
①	Blade	⑦	Fan body
②	Grille	⑧	Damper
③	Junction box	⑨	Flex-Z Fast™ bracket
④	Adaptor	⑩	Activation humidity setting dial
⑤	PCB box	⑪	Duct reducer (optional part)
⑥	Pick-A-Flow™ switch	⑫	Humidity sensor

WIRING DIAGRAM



FEATURES

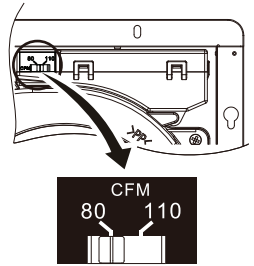
These products employ innovative, state-of-the-art technologies that provide a number of customizable unique features that lead to improved indoor air quality. Please read this manual first in order to realize the benefits of this customizable, modular fan.

Outstanding Energy Savings:

These products are built using DC motor technology. The DC motor is 30% ~ 70% more energy efficient than the minimum ENERGY STAR requirements.

Pick-A-Flow™ Feature:

This product comes with Pick-A-Flow™ speed options. The Pick-A-Flow™ switch on the face of the product allows the option to choose 80 or 110 CFM. This product can run continuously or intermittently, depending upon the needs of the owner.

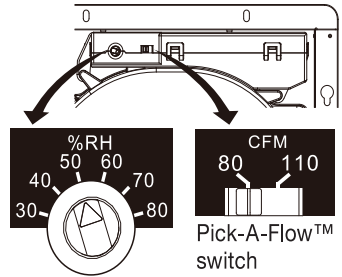
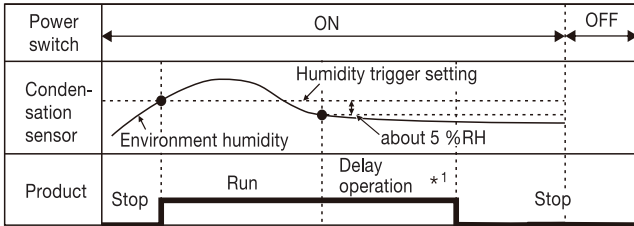


Air volume option (CFM)		Factory setting
80	110	80 CFM

Pick-A-Flow™ switch

The airflow can be set with the Pick-A-Flow™ switch, and humidity triggers can be set by adjusting the humidity setting dial. See the following visual operation chart.

FEATURES (CONTINUED)



* 1 The product will continue to run for about 20 minutes after the sensor detects that the humidity is ~5 % RH lower than the humidity setting before stopping.

Activation humidity setting dial

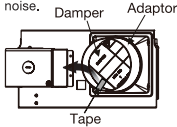
Note:

1. The power switch should be left on at all times.
2. The product will also run when the humidity rises rapidly but does not reach the humidity trigger setting, and then stop after the time delay.
3. The activation humidity settings on the dial are continuous from 30 %RH ~ 80 %RH.
4. The humidity detected by the sensor may differ from the value on your hygrometer.
5. The product may cycle on and off if the humidity is constantly near the trigger point. This can be addressed by raising the humidity trigger setting on the dial.
6. The fan will run for 20 minutes when power switch is first turned on, regardless of the humidity sensor settings. After 20 minutes, the fan will return to sensor mode.

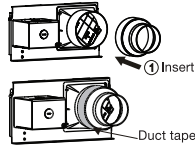
INSTALLATION (RETROFIT)

IMPORTANT:

Remove the tape placed on the damper and adaptor before installation. Failure to do so will cause the product to work inefficiently and create a loud noise.



If you require use of the 3 inch duct reducer (optional accessory), use the following method:



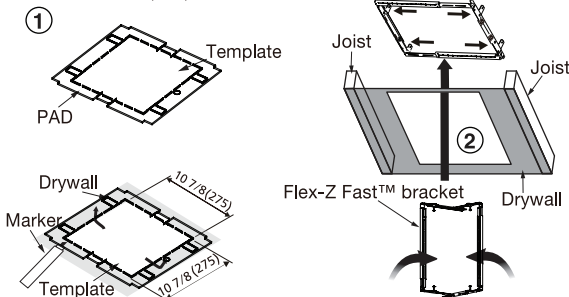
⚠ WARNING

- ⚠ Disconnect power supply before installing the unit.
- ⚠ Please wear gloves to protect hands during the installation.

1 Install Flex-Z Fast™ bracket

Flex-Z Fast™ bracket position can be adjusted from 16" to 24" (406mm to 610mm) between joists.

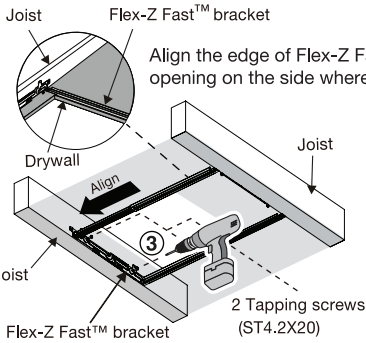
Unit: inches (mm)



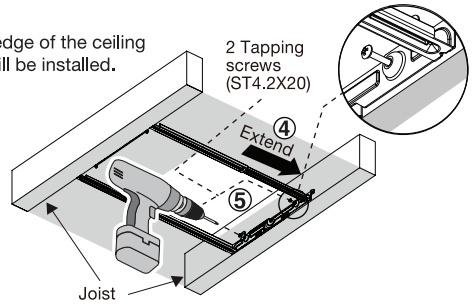
- 1 Remove the existing fan and use housing masking template to mark the ceiling opening and cut the ceiling along the marked line.
- 2 Insert Flex-Z Fast™ bracket into the opening and extend.

Draw the contour with a marker through marked line

INSTALLATION (RETROFIT) (CONTINUED)

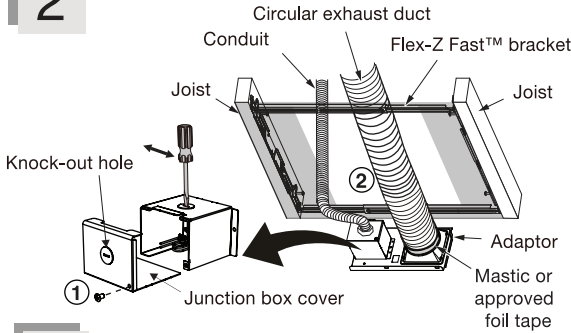


- 3** Align and install bracket to joist by using 2-preinstalled tapping screws.



- 4** Extend bracket to the other joist.
- 5** Install bracket to joist by using 2-preinstalled tapping screws.

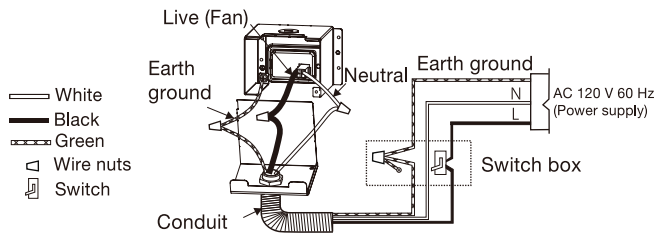
2 Install circular exhaust duct



- 1** Remove screw from junction box cover to remove the knock-out hole and secure conduit or stress relief to junction box knock-out hole.
- 2** Install the circular exhaust duct and secure it with clamps or ties and seal it with mastic or approved foil tape. A 3 or 4 inch circular duct is needed to connect to the relevant part of the adaptor.

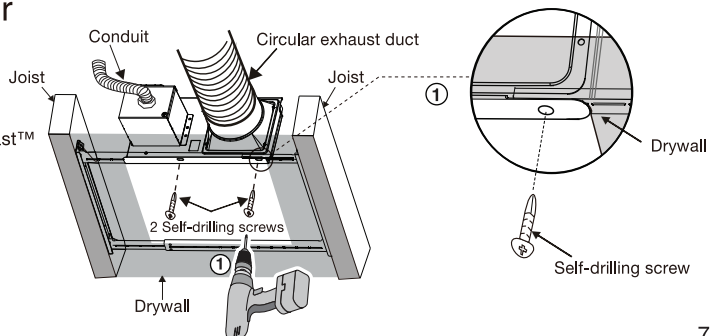
3 Connect wires

- 1** Refer to WIRING DIAGRAM (Page 5). Follow all the local electrical safety codes as well as the National Electrical Code (NEC). Use UL approved wire nuts to connect fan wires. After connecting wires, replace junction box cover.



4 Install adaptor

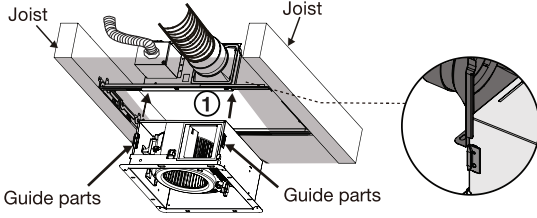
- 1** Install the adaptor to Flex-Z Fast™ bracket by using 2 self-drilling screws.



INSTALLATION (RETROFIT) (CONTINUED)

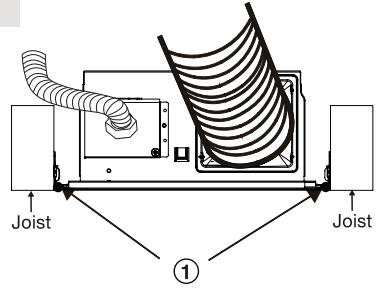
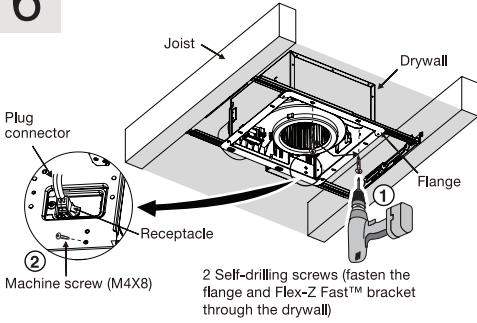
5 Insert fan body

- 1 Insert fan body and slide into adaptor assembly using the guide parts until you hear a click from the hook.



6 Secure fan body

7 Sealing



- 1 Secure the fan body to Flex-Z Fast™ bracket by using 2 self-drilling screws.
- 2 Plug connector into receptacle and secure fan body to adaptor by using machine screw (M4X8).

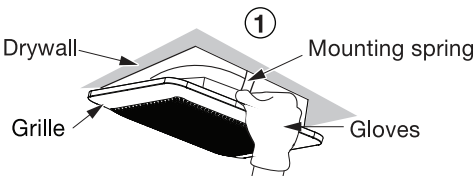
- 1 Once fan body is mounted and secure, fill gap between flange and ceiling with caulk or other sealant to prevent air leakage.
- 2 Adjust Pick-A-Flow™ switch. (Refer to explanation under FEATURES). (Page 5)

⚠ CAUTION

⚠ Please take care when installing the machine screw (Step 6) to avoid cross threading and to ensure that the screw does not strip or come in contact with the Flex-Z Fast™ bracket.

8 Install grille

- 1 Insert the mounting springs into the slot as shown to mount grille to fan body.



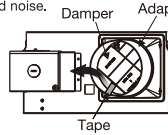
INSTALLATION (NEW CONSTRUCTION)

⚠ WARNING

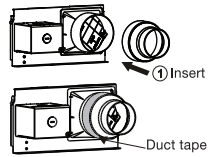
- ❗ Disconnect power supply before installing the unit.
- ❗ Please wear gloves to protect hands during the installation.
- ❗ Ensure the junction box cover encloses all the wires and is completely flush before locking in place with the attached screw.

IMPORTANT:

Remove the tape placed on the damper and adaptor before installation. Failure to do so will cause the product to work inefficiently and create a loud noise.

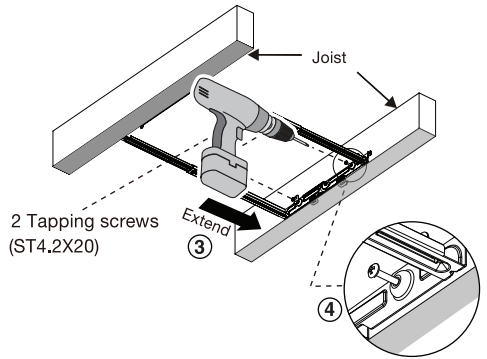
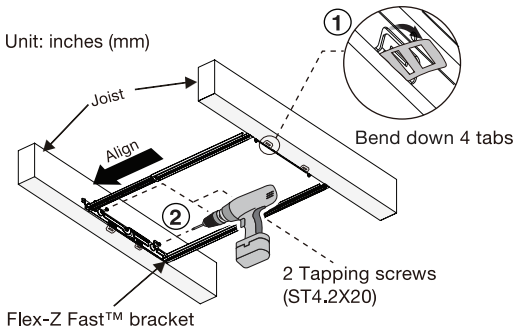


If you require use of the 3 inch duct reducer (optional accessory), use the following method:



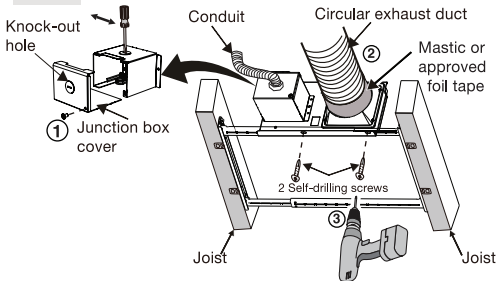
1 Install Flex-Z Fast™ bracket

Flex-Z Fast™ bracket position can be adjusted from 16" to 24" (406mm to 610mm) between joists.



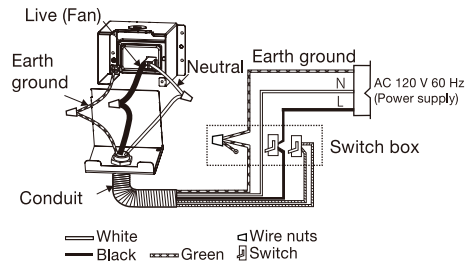
- 1 Bend down 4 tabs and align bracket to the joist.
- 2 Align and install bracket to joist by using 2 pre-installed tapping screws.
- 3 Extend bracket to the other joist.
- 4 Install bracket to joist by using 2 pre-installed tapping screws.

2 Install circular exhaust duct



- 1 Remove screw from junction box cover to remove the knock-out hole and secure conduit or stress relief to junction box knock-out hole.
- 2 Install the circular exhaust duct and secure it with clamps or ties and seal it with mastic or approved foil tape. A 3 or 4 inch circular duct is needed to connect to the relevant part of the adaptor.
- 3 Install the adaptor to Flex-Z Fast™ bracket by using 2 self-drilling screws.

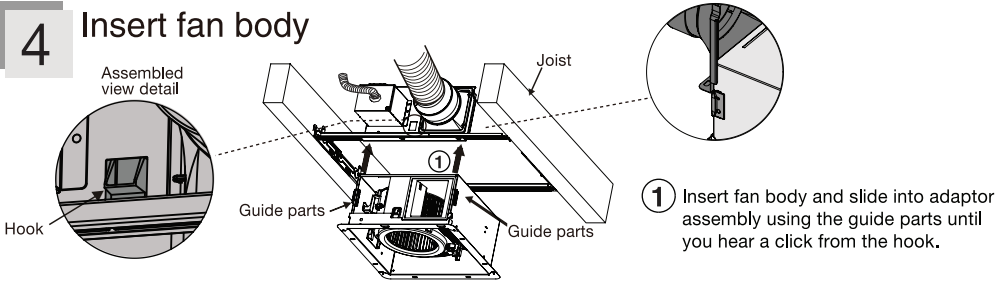
3 Connect wires



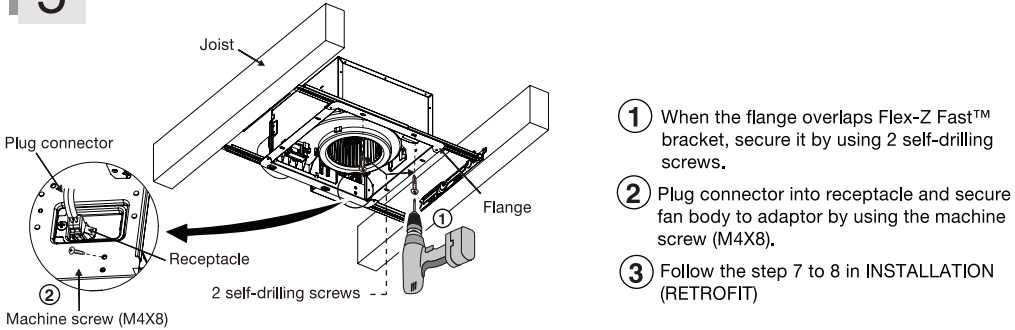
- 1 Refer to WIRING DIAGRAM (Page 5). Follow all the local electrical safety codes as well as the National Electrical Code (NEC). Use UL approved wire nuts to connect fan wires. After connecting wires, replace junction box cover.

INSTALLATION (NEW CONSTRUCTION) (CONTINUED)

4 Insert fan body



5 Secure fan body



MAINTENANCE (CLEANING)

⚠ WARNING

⚠ Disconnect power supply before working on unit.

⚠ CAUTION

⚠ Routine maintenance must be done every year. Please wear gloves during the cleaning work.

⊘ Never use gasoline, benzene, thinner or any other such chemicals for cleaning the ventilating fan.

⊘ Do not immerse motor in water when cleaning. Do not soak resin parts in water over 140° C (60° F).

⊘ Do not use cleaning sprays, solvents, or water on or near the sensor.

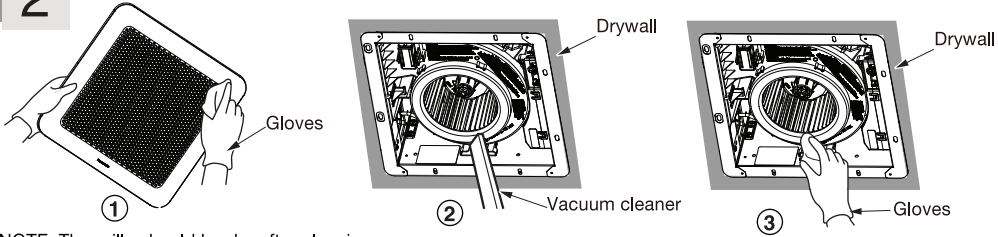
1 Remove grille



1 Remove grille by pulling down one mounting spring then pull the other.

MAINTENANCE (CLEANING) (CONTINUED)

2 Maintenance of unit

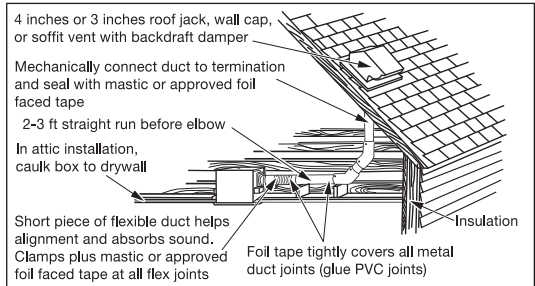


NOTE: The grille should be dry after cleaning.

- ① Clean grille. (Don't put into hot water. Use non-abrasive kitchen detergent, wipe dry with clean cloth).
- ② Remove dust and dirt from fan body using a vacuum cleaner.
- ③ Using a cloth dampened with kitchen detergent, remove any dirt from fan body. Wipe dry with a clean cloth. Reinstall grille after finishing.

PRACTICAL GUIDE TO INSTALLATION

Properly insulate the area around the fan to minimize building heat loss and gain. Loose fill or batt insulation can be placed directly over the fan housing in the attic. Panasonic fans do not create excessive heat which is a common problem with recessed light fixtures and some competitor's fan/light combination. Our efficient, cool-running motors do not create enough ambient heat to be subjected to these limitations. The ducting from this fan to the outside of the building has a strong effect on the air flow, noise and energy use of the fan. Use the shortest, straightest duct routing possible for best performance, and avoid installing the fan with smaller ducts than recommended. Insulation around the ducts can reduce energy loss and inhibit mold growth. Fans installed with existing ducts may not achieve their rated air flow.



SPECIFICATIONS

Model No.	Air direction	Voltage (V)	Frequency (Hz)	Duct diameter (inches)	Air volume at 0.1" WG (CFM)	Noise (sones)	Speed (rpm)	Power (W)	Weight lb. (kg)
RG-R811HA	Exhaust	120	60	4	80	0.4	905	7.1	9.5 (4.3)
					110	1.1	1043	11.6	

HVI Certified performance based on HVI Procedures 915, 916, and 920.

PRODUCT SERVICE

Warning Concerning Removal of Covers. The unit should be serviced by qualified technicians only. Your product is designed and manufactured to ensure a minimum of maintenance. Should your unit require service or parts, call Panasonic Call Center at 1-866-292-7299 (USA).

Panasonic Ventilating Fan Limited Warranty

Panasonic Corporation of North America ("the Warrantor") will, at its sole discretion, replace this product with new parts or exchange this product, free of charge, in the USA, in the event of defects in material or workmanship in accordance to the following:

ALL Parts: For period of 3 years (36 months)
DC Motor: For period of 6 years (72 months)
LED Light Unit: For a period of 5 years (60 months)

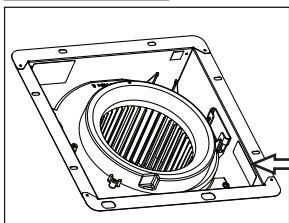
Service in the USA, can be obtained during the warranty period by contacting the selling Distributor or Panasonic Customer Call Center at 1-866-292-7299, toll free.

This warranty does not cover labor charges for removal and installation of parts. This warranty is extended only to the original purchaser of a new product, which was not sold "as is", who purchased the product either directly from the Warrantor or from the Warrantor's authorized resellers (including authorized retail and Internet-based sellers), unless otherwise prohibited by law.

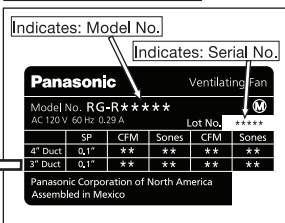
This warranty only applies to products purchased in the United States.

To claim warranty proof of purchase date will be required, in addition to fan model and serial number as shown in the photos below.

Example of display



Example of Name Plate



This warranty only covers failures due to defects in materials or workmanship that occur during normal use and does not cover shipping damages, whether visible or concealed, normal wear or cosmetic damage. The warranty does not cover failures that are caused by products and peripherals not supplied by the Warrantor, or failures which result from accident, misuse, abuse, negligence, mishandling, misapplication, alteration, modification, faulty installation, improper setups or adjustments, improper or lack of maintenance, alterations or modifications, power line surge, improper line voltage, lightning damage, or damage that is attributable to acts of God.

LIMITS AND EXCLUSIONS

There are no express warranties except as listed above. THE WARRANTOR SHALL NOT BE LIABLE FOR INCIDENTAL CONSEQUENTIAL, OR PUNITIVE DAMAGES, INCLUDING, WITHOUT LIMITATION, LOSS OF GOODWILL PROFITS OR REVENUE, LOSS OF USE OF THIS PRODUCT OR ANY ASSOCIATED EQUIPMENT, COST OF SUBSTITUTE PRODUCT, DOWNTIME COST, OR CLAIMS OF ANY PARTY DEALING WITH BUYER FOR SUCH DAMAGES, RESULTING FROM THE USE OF THIS PRODUCT OR ARISING FROM BREACH OF WARRANTY OR CONTRACT, NEGLIGENCE OR ANY OTHER LEGAL THEORY, EXCEPT AS EXPRESSLY PROVIDED ABOVE. THERE IS NO WARRANTY OR ANY OTHER KIND, EXPRESS OR IMPLIED, THERE ARE NO WARRANTIES WHICH EXTEND BEYOND THE DESCRIPTION ON THE FACE HEREOF.

Some states do not allow the exclusion or limitation of incidental or consequential damages, or limitations on how long an implied warranty lasts, so the above exclusions or limitation may not apply to you.

This warranty gives you specific legal rights and you may also have other rights which vary from state to state.

If a problem with this product develops during or after the warranty period, you may contact your Distributor or Panasonic Customer Call Center. If the problem is not handled to your satisfaction, then write to Panasonic Corporation of North America at the address indicated above.

Customer Services Directory

Obtain Product Information and Operating Assistance, locate your nearest distributor, or make Customer Service and Literature requests by visiting our Web Site at:
us.panasonic.com/ventfans

or send your request by E-mail to:
ventfans@us.panasonic.com

You may also contact us directly at:
1-866-292-7299 Monday-Friday 9 am - 6 pm, EST.

For hearing or speech impaired TTY users, TTY:
1-877-833-8855

Accessory Purchases

Purchase Parts and Accessories for Panasonic Ventilation Products by visiting our Website:

Consumers:

www.buypanasonicparts.com

or send your request by Email to: npcparts@us.panasonic.com
You may also contact us directly at 1-800-332-5368
(Monday-Friday 8am to 6pm, EST.)

Distributors:

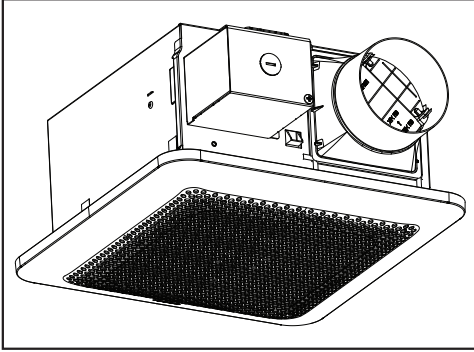
Send your request by Email to: npcparts@us.panasonic.com
You may also contact us directly at 1-866-292-7299
(Monday-Friday 9 am- 6 pm, EST.)

Panasonic Consumer Electronics Company
Customer Service Group
2 Riverfront Plaza, Newark, NJ 07102

For hearing or speech impaired TTY users, TTY: 1-877-833-8855

INSTRUCCIONES DE INSTALACIÓN Ventilador

No° de modelo: RG-R811HA



LEA Y CONSERVE ESTAS INSTRUCCIONES

Gracias por comprar este producto Panasonic. Lea atentamente estas instrucciones antes de instalar, utilizar o mantener este producto Panasonic. Lea atentamente el capítulo "INFORMACIÓN GENERAL SOBRE SEGURIDAD". El incumplimiento de las instrucciones podría causar daños personales o materiales. Explique a los usuarios cómo utilizar y mantener el producto después de la instalación. Se recomienda ofrecer este manual a los usuarios. Conserve este manual para consultas futuras.

■ Ver página 12 para la "Hoja de Garantía Panasonic".

INFORMACIÓN GENERAL SOBRE SEGURIDAD

Por su seguridad

Para reducir el riesgo de lesión, muerte, choque eléctrico, incendio, avería y daños materiales o en el equipo, siempre cumpla con las siguientes medidas de seguridad.

Explicación de las leyendas de seguridad

Las siguientes leyendas de seguridad se utilizan para clasificar y describir el nivel de peligro, lesión y daños materiales causados cuando se hace caso omiso de la indicación y se realiza un uso incorrecto.

⚠ ADVERTENCIA

Indica peligro de lesión grave o muerte.

⚠ PRECAUCIÓN

Indica peligro de lesión menor.

AVISO

Indica peligro de daños materiales.

Los siguientes símbolos se utilizan para clasificar y describir el tipo de instrucciones que deben cumplirse.



Este símbolo se emplea para indicar a los usuarios un procedimiento de funcionamiento específico obligatorio para utilizar el equipo de forma segura.



Este símbolo se emplea para indicar a los usuarios la prohibición de un determinado procedimiento de funcionamiento.



Este símbolo se emplea para indicar a los usuarios que no deben desarmar el equipo.


















Este símbolo se emplea para indicar a los usuarios que se aseguren de la puesta a tierra cuando se utiliza el equipo con la terminal de puesta a tierra.




INFORMACIÓN GENERAL SOBRE SEGURIDAD (CONTINUACIÓN)

ADVERTENCIA

PARA REDUCIR EL RIESGO DE INCENDIO, CHOQUE ELÉCTRICO O LESIONES, CUMPLA CON LO SIGUIENTE:

-  Utilice este equipo sólo en la forma prevista por el fabricante. Si tiene preguntas, comuníquese con el fabricante.
-  Antes de mantener o limpiar el equipo, desconecte la energía del panel de servicio y bloquee los medios de desconexión de servicio para evitar que la energía se active de manera accidental. Cuando no sea posible bloquear los medios de desconexión del servicio, coloque firmemente sobre el panel de servicio un dispositivo de advertencia bien visible, como una etiqueta.
-  El trabajo de instalación eléctrica deber ser realizado por un electricista calificado conforme a las normas y los códigos aplicables, incluidas las regulaciones relacionadas con la construcción ignífuga.
-  Se necesita suficiente aire para que se lleve a cabo una combustión y una extracción adecuada de los gases a través del tubo de humos (chimenea) del equipo quemador de combustible, con el fin de evitar el contrario. Siga las pautas y las normas de seguridad del fabricante del equipo de calentamiento, como las publicadas por la Asociación Nacional de Protección contra Incendios (NFPA, por sus siglas en inglés) y la Sociedad Estadounidense de Ingenieros de Calefacción, Refrigeración y Aire Acondicionado (ASHRAE, por sus siglas en inglés) y las autoridades normativas locales.
-  Cuando corte o perfore en una pared o un techo, no dañe los cables eléctricos ni otros servicios ocultos.
-  Los ventiladores con ductos extractores siempre deben tener descarga hacia el exterior.
-  Si este equipo se instalará sobre una tina o una regadera, debe estar identificado como adecuado para este tipo de uso y debe conectarse a un circuito de derivación protegido por un interruptor de circuito con falla a tierra (ICFT).
-  Estos modelos están aprobados por UL para recintos de tinas y regaderas.
-  No desarme el equipo para su reconstrucción. Podría causar un incendio o un choque eléctrico.
-  Si este producto no se utilizará más, debe quitarse para evitar su posible caída.
-  La vigueta del techo debe someterse a una carga estática de más de cinco veces el peso del producto.
-  No realice la instalación mediante un método que no esté autorizado en las instrucciones.
-  No utilice este ventilador con ningún dispositivo de control de velocidad de estado sólido. Los controles de estado sólido pueden causar distorsión armónica, lo que puede provocar un zumbido de motor.
-  Para reducir el riesgo de incendio, descarga eléctrica o lesiones personales, no utilice piezas de repuesto que no hayan sido recomendado por el fabricante (ej. piezas hechas en casa usando una impresora 3D).
-  Este producto debe conectarse a tierra de forma correcta.

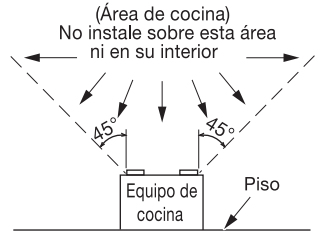
PRECAUCIÓN

-  No instale este ventilador en sitios donde la temperatura ambiente interior puede superar 104 °F (40 °C).
-  Cumpla con todos los códigos eléctricos y de seguridad locales, además del Código Eléctrico Nacional (NEC, por sus siglas en inglés) y la Ley de Seguridad y Salud en el Trabajo (OSHA, por sus siglas en inglés).
-  Verifique que la tensión del suministro eléctrico sea de 120 VCA 60 Hz.

INFORMACIÓN GENERAL SOBRE SEGURIDAD (CONTINUACIÓN)

- ❗ Desconecte siempre la fuente de alimentación antes de trabajar en el ventilador, el motor o la caja de conexiones o en sus proximidades.
- ❗ Proteja los cables de alimentación de los bordes afilados, aceite, grasa, superficies calientes, productos químicos u otros objetos.
- ⊘ No retuerza los cables de alimentación.
- ⊘ Para uso de ventilación general solamente. No use para extraer materiales y vapores peligrosos o explosivos.
- ⊘ No instale el ventilador encima o dentro de un ángulo de 45 grados proyectado hacia afuera desde el elemento del equipo de cocina más cercano al ventilador. (Fig. A)
- ❗ Las piezas exclusivas o de propósito especial, como los accesorios de montaje, deben utilizarse si se suministran.

AVISO



- ❗ Suministre aire de compensación para una ventilación correcta.
- ⊘ Si un interruptor se conecta a dos o más productos en paralelo, es posible que el equipo no funcione. Por lo tanto, no debe permitirse la conexión en paralelo.
- ⊘ No instale el equipo cuando los ductos están configurados como se muestra abajo:



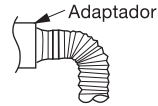
Doblado excesivo



Doblado sucesivo



Ducto comprimido



Curva próxima al adaptador del ducto

DESCRIPCIÓN

Estos productos están aprobados por UL con el número de archivo de UL E78414.

Estos productos utilizan un ventilador Sirocco accionado por un motor de DC alimentado por un transformador incorporado. El motor está diseñado para tener una vida útil prolongada, una alta respuesta dinámica y mayores gamas de velocidades con ahorro de energía. La parrilla que cubre el cuerpo del ventilador es accionada por resorte y se quita rápidamente. Se suministra un regulador de tiro para evitar el contraflujo de aire. El soplador utiliza un ventilador Sirocco de alta capacidad concebido para reducir el nivel de ruido.


Este modelo de ventilador de aire Panasonic está equipado con un sensor de humedad que se activan automáticamente cuando se produce un incremento rápido de la humedad o cuando la humedad aumenta por encima de un punto de ajuste de humedad de relativa del 30 ~ 80 %.




DESEMPAQUE

Desempaque y quite cuidadosamente el equipo del cartón.

Consulte la lista de accesorios suministrados para verificar que todas las partes están presentes.

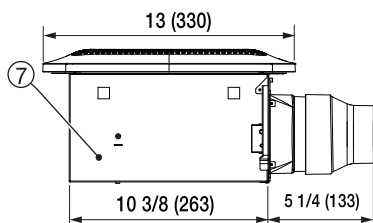
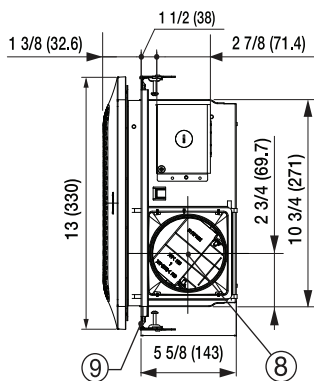
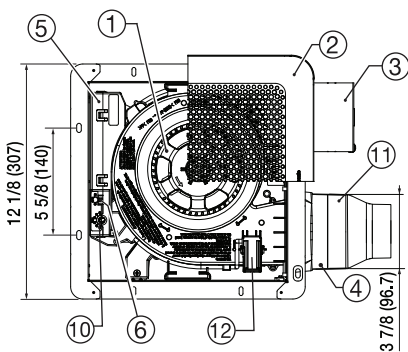
ACCESORIOS SUMINISTRADOS

Nombre de la pieza	Apariencia	Cantidad
Parrilla		1
Soporte Flex-Z Fast™ (con 4 tornillos punta de broca ST4.2X20)		1
Tornillo autopercutor		4

Nombre de la pieza	Apariencia	Cantidad
Póliza de garantía / Instrucciones de instalación		1
Conducto reductor de 3 pulgadas (accesorio opcional)		1
Tornillo para metales (M4X8)		1

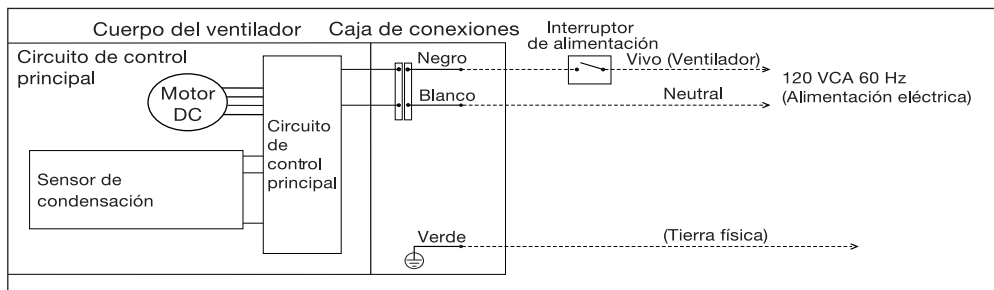
DIMENSIONES

Unidades: pulgadas (mm)



No.	Nombre de la Pieza	No.	Nombre de la Pieza
①	Aspa	⑦	Cuerpo del extractor
②	Parrilla	⑧	Regulador de tiro
③	Caja de conexiones	⑨	Soporte Flex-Z Fast™
④	Adaptador	⑩	Selector de sensor de humedad
⑤	Caja PCB	⑪	Conducto reductor (accesorio opcional)
⑥	Selector Pick-A-Flow™	⑫	Sensor de humedad

DIAGRAMA ELÉCTRICO



FUNCIONES

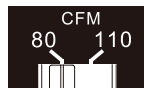
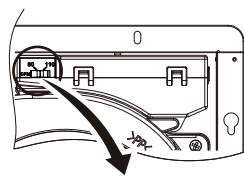
Estos productos emplean tecnologías innovadoras y de vanguardia que proporciona un número de funciones únicas personalizables que ayudan a mejorar la calidad del aire interior. Lea este manual para que descubra los beneficios de este ventilador modular personalizable.

Ahorro de energía excepcional:

Este producto está construido con la tecnología de motor de DC. El motor de DC permite un uso de la energía de un 30-70 % más eficiente que los requerimientos mínimos de ENERGY STAR.

Función Pick-A-Flow™:

Este producto incluye opciones de velocidad Pick-A-Flow™. El selector Pick-A-Flow™ en el lado del producto permite seleccionar entre las opciones 80 y 110 CFM. Este producto puede funcionar de forma continua o intermitente, dependiendo de las necesidades del usuario.

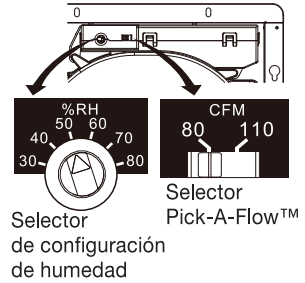
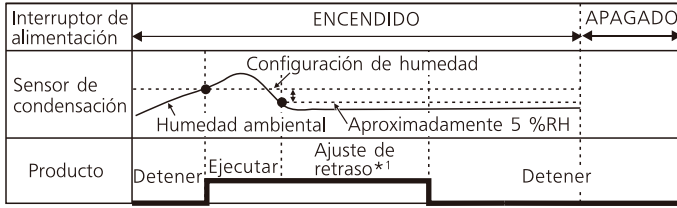


Selector Pick-A-Flow™

Opción de volumen de aire (CFM)		Configuración de fábrica
80	110	80 CFM

Este producto puede establecer el volumen de aire a través del selector Pick-A-Flow™, y establecer la humedad a través del selector de configuración de humedad, y funcionar como se muestra a continuación.

FUNCIONES (CONTINUACIÓN)



*1 Este producto continuará funcionando durante aproximadamente 20 minutos al detectar que la humedad ambiental es aproximadamente 5 %RH menor que la configuración de la humedad y, a continuación, detendrá su funcionamiento.

Nota:

1. El interruptor de alimentación debe dejarse encendido en todo momento.
2. El producto también funcionará cuando la humedad ambiental aumente rápidamente pero sin alcanzar la configuración de humedad, y se detendrá según el ajuste de retraso.
3. El selector de configuración de humedad cambia continuamente entre 30 %RH ~ 80 %RH.
4. La humedad detectada por el sensor puede ser diferente al valor de su higrómetro.
5. El producto puede encenderse y apagarse por la humedad ambiente inestable, puede mejorarlo ajustando el selector de ajuste de inducción de humedad.
6. Si el interruptor se enciende por primera vez, este funcionará durante 20 min independientemente de la configuración del sensor de humedad. Después de 20 minutos, el ventilador volverá al modo del sensor.

INSTALACIÓN (RENOVACIONES)

IMPORTANTE:
Retire la cinta del regulador de tiro y el adaptador antes de la instalación. Si no lo hace, el producto funcionará de forma ineficiente y creará un ruido fuerte.

Regulador de tiro, Adaptador, Cinta

Si requiere uso del conducto reductor de 3 pulgadas (accesorio adicional), use el método siguiente:
Inserte
Cinta para ducto

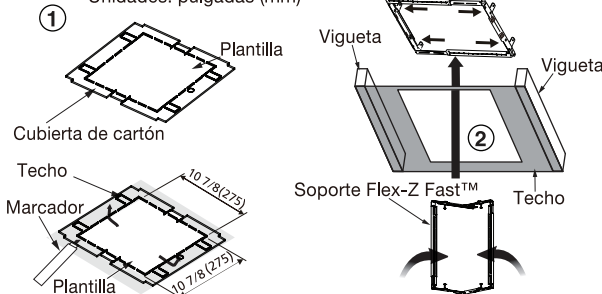
⚠ ADVERTENCIA

- ⚠ Desconecte la alimentación eléctrica antes de trabajar la unidad.
- ⚠ Use guantes durante el trabajo de instalación.

1 Instalar soporte Flex-Z Fast™

La posición del soporte Flex-Z Fast™ puede ajustarse entre las viguetas de 16 a 24 pulgadas (406mm a 610mm).

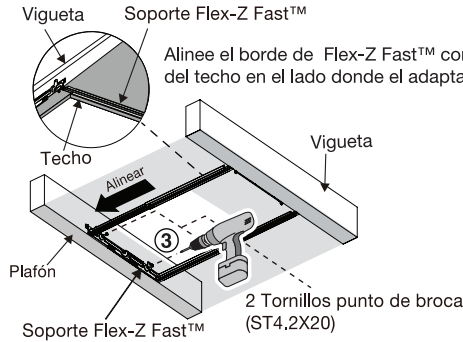
Unidades: pulgadas (mm)



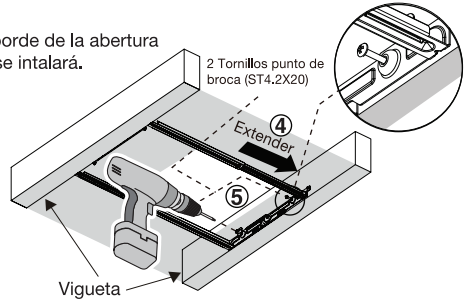
- 1 Quite el ventilador existente y use la plantilla que enmascara para marcar la abertura en el techo siguiendo las líneas de marcado.
- 2 Doble el soporte Flex-Z Fast™ e inserte a través de la abertura y extienda.

Trace el contorno con un marcador a través de las líneas de marcado.

INSTALACIÓN (RENOVACIONES) (CONTINUACIÓN)



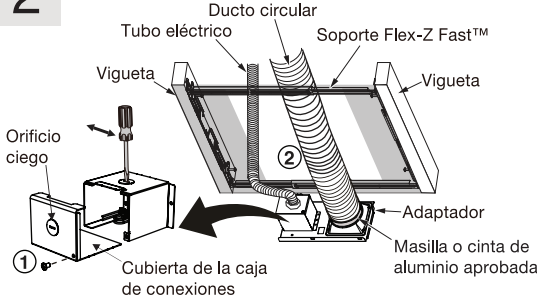
3 Alinee e instale el soporte a la vigueta usando los 2 tornillos punta de broca previamente fijados.



4 Extienda el soporte a la otra vigueta.

5 Instale el soporte a la vigueta usando 2 tornillos punta de broca previamente instalados.

2 Instalar ducto circular

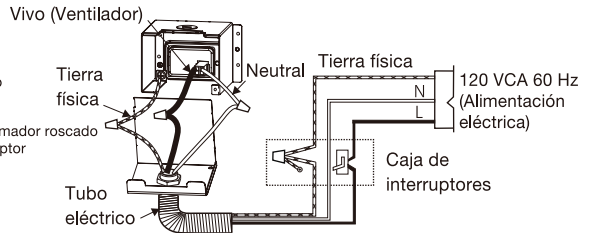


1 Quite el tornillo de la cubierta de la caja de conexiones para quitar el orificio ciego de la caja de conexiones e instale un tubo eléctrico en el orificio ciego de la caja de conexiones.

2 Instale un ducto circular y sujételo con abrazaderas amarres y séllelo con masilla o cinta de aluminio aprobada. Se necesita un ducto circular de 3 o 4 pulgadas para conectar la parte correspondiente de adaptador.

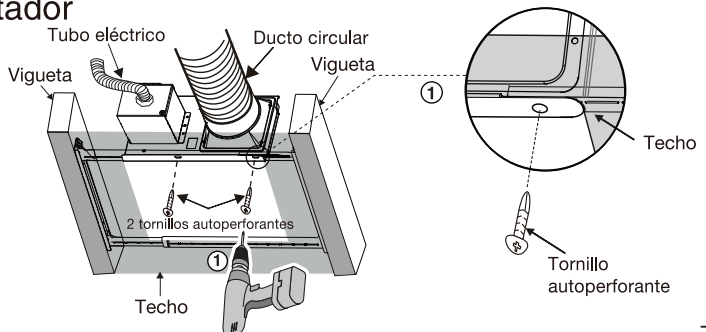
3 Cableado

1 Consulte el DIAGRAMA DE CABLEADO (página 5). Cumpla con todos los códigos eléctricos locales y con el Código Eléctrico Nacional (NEC, por sus siglas en inglés). Conecte los cables de la instalación eléctrica de la vivienda a los cables del ventilador de aire utilizando empalmadores roscados aprobados por UL. Después de conectar los cables vuelva a atornillar la caja de conexiones.



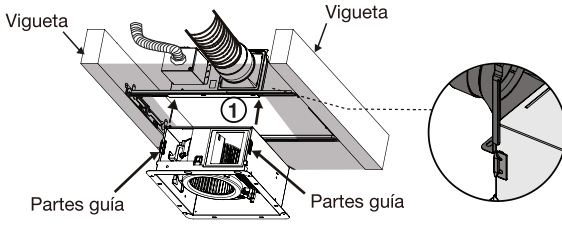
4 Instalar adaptador

1 Instale el adaptador al soporte Flex-Z Fast™ utilizando 2 tornillos autopercutorantes.



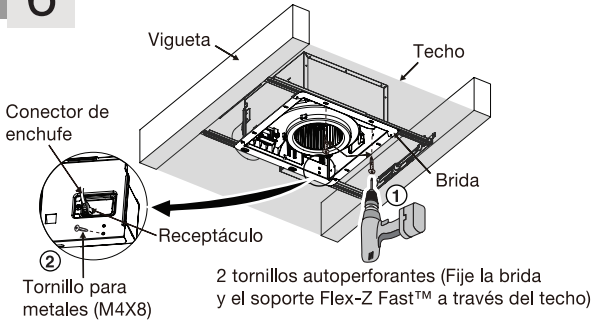
INSTALACIÓN (RENOVACIONES) (CONTINUACIÓN)

5 Insertar cuerpo del ventilador



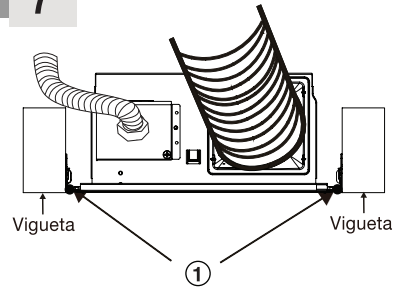
- 1 Inserte el cuerpo del ventilador y deslice el conjunto del adaptador usando las partes guía hasta que escuche el click.

6 Asegurar cuerpo del ventilador



- 1 Asegure el cuerpo del ventilador al soporte Flex-Z Fast™ utilizando 2 tornillos autoperforantes.
- 2 Inserte el conector del enchufe en el receptáculo e instale el cuerpo del ventilador en el adaptador utilizando el tornillo para metales (M4X8).

7 Sellar

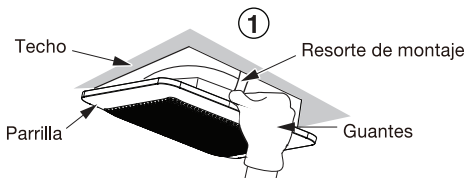


- 1 Después de terminar el trabajo del techo, rellene el espacio entre la brida y el techo con masilla u otro sellador para evitar fugas de aire.
- 2 Ajuste el selector Pick-A-Flow™. (Consulta las indicaciones en el capítulo FUNCIONES). (Página 6)

⚠ PRECAUCIÓN

- ⚠ Asegúrese de que el tornillo esté correctamente colocado de modo que no barra la cuerda ni entre en contacto con el soporte Flex-Z Fast™.

8 Instalar parrilla



- 1 Inserte el resorte de montaje en la ranura, por ambos lados, como se muestra y monte la parrilla en el cuerpo del ventilador.

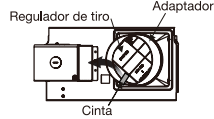
INSTALACIÓN (CONSTRUCCIONES NUEVAS)

⚠️ ADVERTENCIA

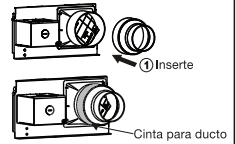
- ❗ Desconecte la alimentación eléctrica antes de trabajar la unidad.
- ❗ Use guantes durante el trabajo de instalación.
- ❗ Asegúrese de que la tapa de la caja de conexiones guarde todos los cables y cierre completamente antes de asegurar con el tornillo adjunto.

IMPORTANTE:

Retire la cinta del regulador de tiro y el adaptador antes de la instalación. Si no lo hace, el producto funcionará de forma ineficiente y creará un ruido fuerte.

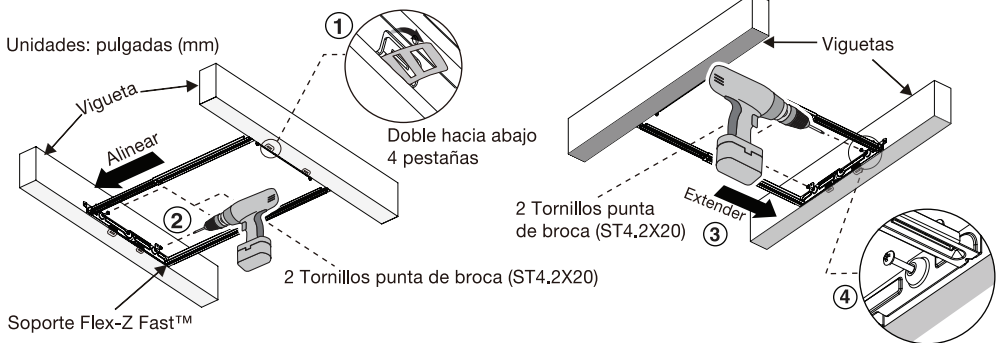


Si requiere uso del conducto reductor de 3 pulgadas (accesorio adicional), use el método siguiente:



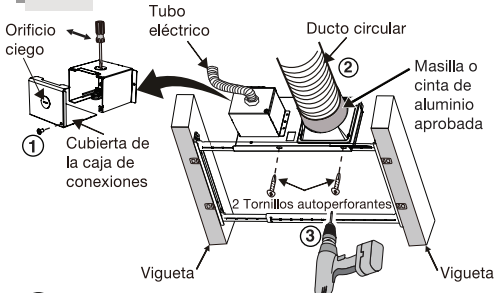
1 Instalar soporte Flex-Z Fast™

La posición del soporte Flex-Z Fast™ puede ajustarse entre las viguetas de 16 a 24 pulgadas (406mm a 610mm).



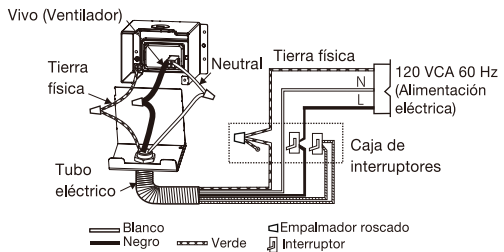
- ① Doble hacia abajo las 4 pestañas y alinee el soporte a las viguetas.
- ② Alinee e instale el soporte a la vigueta usando los 2 tornillos punta de broca previamente fijados.
- ③ Extender soporte a la otra vigueta.
- ④ Instale el soporte a la vigueta usando los 2 tornillos punta de broca previamente fijados.

2 Instalar ducto circular



- ① Quite el tornillo de la cubierta de la caja de conexiones para quitar el orificio ciego de la caja de conexiones e instale un tubo eléctrico o un dispositivo de alivio de tensión en el orificio ciego de la caja de conexiones.
- ② Instale el ducto circular y sujételo con abrazaderas o amarres y séllelo con masilla o cinta de aluminio aprobada. Se necesita un ducto circular de 3 o 4 pulgadas para conectar la parte correspondiente al adaptador.
- ③ Instale el adaptador al soporte Flex-Z Fast™ usando 2 tornillos auto perforantes.

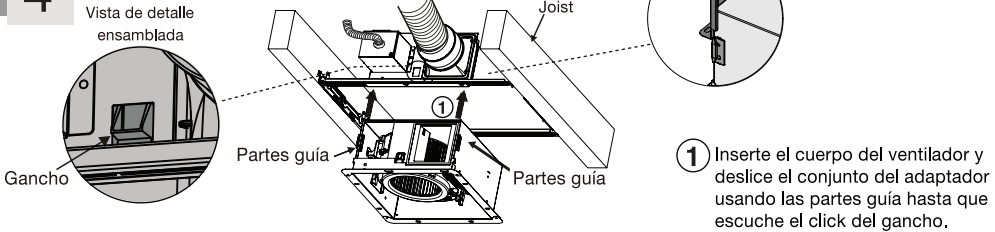
3 Cableado



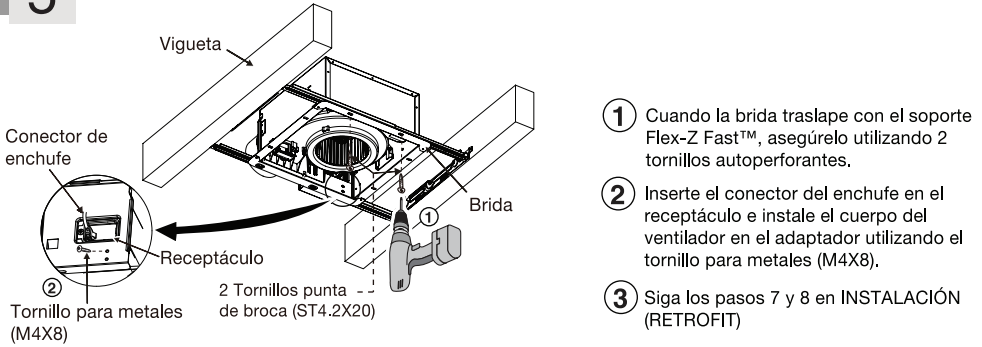
- ① Consulte el DIAGRAMA DE CABLEADO (página 5). Cumpla con todos los códigos eléctricos locales y con el Código Eléctrico Nacional (NEC, por sus siglas en inglés). Utilice empalmadores roscados aprobados por UL. Después de conectar los cables vuelva a atornillar la caja de conexiones.

INSTALACIÓN (CONSTRUCCIONES NUEVAS) (CONTINUACIÓN)

4 Insertar cuerpo del ventilador



5 Asegurar el cuerpo del ventilador



MANTENIMIENTO (LIMPIEZA)

⚠ ADVERTENCIA

⚠ Desconecte la fuente de alimentación antes de trabajar el equipo.

⚠ PRECAUCIÓN

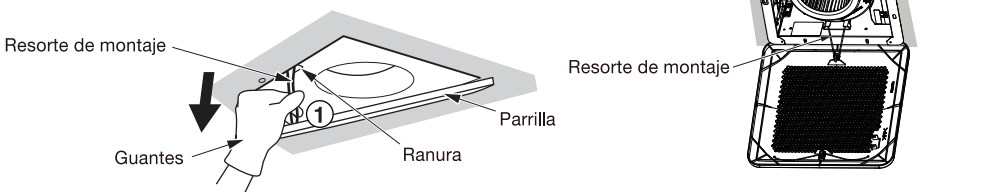
⚠ El mantenimiento habitual debe realizarse todos los años. Use guantes durante el trabajo de limpieza.

⊘ No sumerja el motor en el agua durante la limpieza. No sumerja las piezas de resina en agua por 140 °F (60 °C).

⊘ Nunca utilice gasolina, benceno, diluyente ni ningún otro producto químico para limpiar el ventilador de aire.

⊘ No aplique aerosoles de limpieza, solventes ni agua en los sensores cerca de ellos.

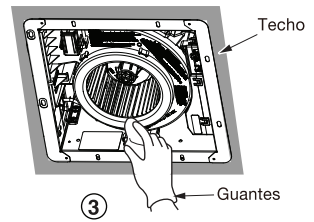
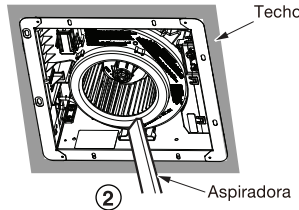
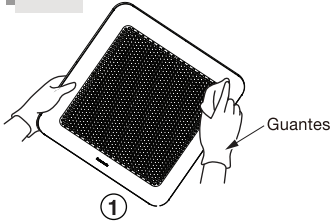
1 Remover la parrilla



1 Quite la parrilla jalando hacia abajo uno de los resortes de montaje y luego el otro.

MANTENIMIENTO (LIMPIEZA) (CONTINUACIÓN)

2 Mantenimiento de la unidad



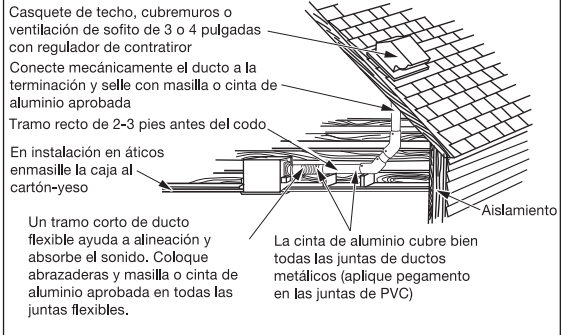
NOTA: La parrilla debe secarse después de la limpieza.

- 1 Limpie la parrilla. (No coloque en agua caliente. Use detergente de cocina no abrasivo y seque con paño limpio.)
- 2 Quite el polvo y la suciedad del cuerpo del ventilador utilizando una aspiradora.
- 3 Con un paño humedecido con detergente de cocina, quite toda suciedad del cuerpo del ventilador. Seque con paño limpio. Vuelva a instalar la parrilla.

GUÍA PRÁCTICA DE INSTALACIÓN

Aísle correctamente el área alrededor del ventilador para reducir al mínimo la pérdida y la ganancia de calor del edificio. Puede colocarse aislamiento de relleno o guata floja directamente sobre el compartimento del ventilador en el ático. Los ventiladores Panasonic no generan calor excesivo, lo cual es un problema común en artefactos de ventilación/luz empotrados o en algunos equipos de la competencia.

Nuestros eficientes motores de funcionamiento en frío no generan suficiente calor ambiente para estar sometidos a estas limitaciones. Los ductos de este ventilador con descarga hacia el exterior del edificio tienen un fuerte efecto en el flujo del aire, el ruido y el uso del equipo. Use la ruta más corta y directa posible de instalación del ducto para obtener el mejor rendimiento, y evite instalar el ventilador con ductos más pequeños que los recomendados. El aislamiento alrededor de los ductos permite reducir la pérdida de energía e inhibir el crecimiento de moho. Es posible que los ventiladores instalados con ductos existentes no alcance su flujo de aire nominal.



ESPECIFICACIONES

No° de modelo	Dirección de aire	Voltaje (V)	Frecuencia (Hz)	Diámetro de ducto (pulgadas)	Volumen de aire 0.1" WG (CFM)	Ruido (sones)	Velocidad (rpm)	Potencia (W)	Peso lb. (kg)
RG-R811HA	Extracción	120	60	4	80	0.4	905	7.1	9.5 (4.3)
					110	1.1	1043	11.6	

Rendimiento certificado por HVI según los procedimientos 915, 916, 920 de HVI.

SERVICIO TÉCNICO

Advertencia relativa a quitar cubiertas. El servicio técnico del equipo sólo deberá ser realizado por técnicos calificados. Este producto ha sido diseñado y fabricado para garantizar un mínimo de mantenimiento. En caso de que su equipo necesite servicio técnico o piezas, llame al Centro de Atención de Panasonic al 1-866-292-7299 (Estados Unidos).

Panasonic Corporation of North America
Two Riverfront Plaza, Newark, NJ 07102
www.panasonic.com

Ventilador Panasonic Garantía Limitada

Panasonic Corporation of North America ("el garante"), a su sola discreción, reemplazará este producto con repuestos nuevos o lo intercambiará, sin cargo alguno, en los EE. UU., en caso de que existan defectos en materiales o mano de obra de acuerdo a lo siguiente:

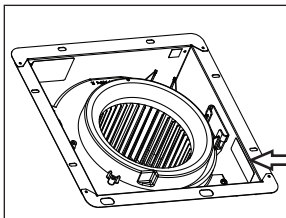
TODAS las piezas: Por un período de 3 años (36 meses)
Motor de DC: Por un período de 6 años (72 meses)
Unidad de luz LED: Por un período de 5 años (60 meses)

Durante el período de garantía, para obtener servicio en EE. UU. debe ponerse en contacto con el concesionario vendedor o puede llamar gratis al Departamento de Servicio al Cliente de Panasonic, teléfono 1-866-292-7299.

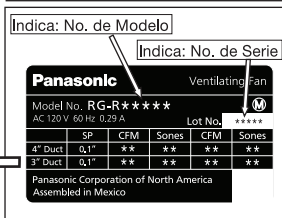
Esta garantía no cubre los cargos de mano de obra por remoción e instalación de piezas o repuestos. Esta garantía se extiende únicamente al comprador original de productos nuevos que no hayan sido vendidos "tal como están", el cual compró el producto ya sea directamente del Garante o de un distribuidor autorizado por el Garante (incluyendo vendedores minoristas y ventas por internet autorizados), a menos que la ley lo prohíba. Esta garantía es aplicable solamente a productos comprados en los Estados Unidos.

Para presentar una reclamación contra la garantía, deberá presentar el recibo de compra con la fecha y también la información relativa al modelo y número de serie del ventilador, como se muestra en las siguientes fotos.

Ejemplo de localización



Ejemplo de placa de identificación



Esta garantía cubre solamente fallas debidas a defectos en materiales o mano de obra que se producen durante el uso normal y no cubre daños durante el envío, ya sean visibles u ocultos, desgaste normal ni daños estéticos. Esta garantía no cubre fallas provocadas por productos o accesorios que no han sido suministrados por el garante, ni fallas que resulten de accidentes, mal trato, abuso, negligencia, manejo inadecuado, mala aplicación, alteración, modificación, instalación defectuosa, calibraciones o ajustes inapropiados, falta de mantenimiento o mantenimiento inapropiado, alteraciones o modificaciones, sobretensión transitoria, voltaje inapropiado, daños por relámpagos ni daños atribuibles a situaciones fortuitas.

LÍMITES Y EXCLUSIONES

No se otorgan garantías expresas salvo las indicadas anteriormente. EL GARANTE NO SERÁ RESPONSABLE DE DAÑOS INCIDENTALES, CONSECUENTES O PUNITIVOS, INCLUYENDO, ENTRE OTROS, PÉRDIDAS DE FONDO DE COMERCIO, GANANCIAS O INGRESOS, PÉRDIDA DEL USO DE ESTE PRODUCTO O CUALQUIER OTRO EQUIPO RELACIONADO, COSTO DE PRODUCTOS SUSTITUTOS, COSTOS POR TIEMPO IMPRODUCTIVO NI RECLAMACIONES DE TERCEROS QUE HAYAN ESTABLECIDO NEGOCIACIONES CON EL COMPRADOR POR TALES DAÑOS, RESULTANTES DEL USO DE ESTE PRODUCTO O PROVENIENTES DEL INCUMPLIMIENTO DE LA GARANTÍA O ROMPIMIENTO DE CONTRATO, NEGLIGENCIA O CUALQUIER OTRA TEORÍA LEGAL, SALVO COMO SE HA PRESENTADO ANTERIORMENTE EN FORMA EXPRESA. NO SE OFRECE NINGUNA OTRA GARANTÍA DE CUALQUIER FORMA, EXPRESA O IMPLÍCITA, NI HAY GARANTÍAS QUE SE EXTIENDAN MÁS ALLÁ DE LO QUE AQUÍ SE DESCRIBE.

Algunos estados no permiten las exclusiones ni limitaciones de los daños incidentales o consecuentes ni las limitaciones al tiempo de duración de las garantías implícitas, por lo que las exclusiones y limitaciones anteriores podrían no aplicarse a su caso. Esta garantía le otorga derechos legales específicos y además podría gozar de otros, que pueden variar de un estado a otro. Si se produjera un problema relacionado con este producto durante o después del período de garantía, póngase en contacto con el Distribuidor o con el Departamento de Servicio al Cliente de Panasonic. Si no está satisfecho con la forma en que se maneja el problema, escriba a Panasonic Corporation of North America a la dirección que aparece anteriormente.

Directorio de Servicios al Cliente

Obtenga información y ayuda con el funcionamiento de los productos; encuentre al distribuidor más cercano, y efectúe peticiones sobre servicio a clientes y de documentos visitando nuestro sitio web en:
us.panasonic.com/ventfans

o envíe su solicitud por correo electrónico a:
ventfans@us.panasonic.com

También puede llamarnos directamente al:
1-866-292-7299 de lunes a viernes de 9 am a 6 pm, EST.

Para usuarios discapacitados del habla o el oído,
1-877-833-8855

Compra de Accesorios

Compre partes y accesorios para los productos de ventilación Panasonic, visitando nuestro sitio web en:

Consumidores:

www.buypanasonicparts.com

o envíe su solicitud por correo electrónico a: npcparts@us.panasonic.com
También puede llamarnos directamente al 1-800-332-5368
(de lunes a viernes de 8 am a 6 pm, EST.).

Distribuidores:

Envíe su solicitud por correo electrónico a: npcparts@us.panasonic.com
También puede llamarnos directamente al 1-866-292-7299
(de lunes a viernes de 9 am a 6 pm, EST.).

Panasonic Consumer Electronics Company
Customer Service Group
2 Riverfront Plaza, Newark, NJ 07102

Para usuarios discapacitados del habla o el oído: 1-877-833-8855