

# DAYTON SPECIFICATIONS

## Dayton® Elite Double Bowl Sink Models DEMR23322, DEMR23322R, DSEMR23322 and DSEMR23322R

### GENERAL

Sink is formed of #22 gauge (DE prefix), or #20 gauge (DSE prefix), type 301 series, nickel-bearing stainless steel. Top mount.

### DESIGN FEATURES

Bowl Depth: 8" (203mm) (large bowl) DSE Series, 6-1/2" (165mm) (large bowl) DE Series; 5-1/8" (130mm) (small bowl).  
Coved Corners: 3" (76mm) vertical (small bowl) and 2-3/4" (70mm) (large bowl) horizontal radius.  
Finish: Exposed surfaces are polished to an elite satin finish.  
Underside: Fully undercoated.

### OTHER

Drain Opening: 3-1/2" (89mm).

NOTE: Unless otherwise specified, sink is furnished with 4 faucet holes as shown.

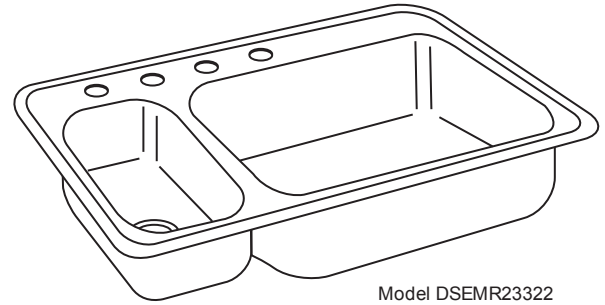
### OPTIONAL ACCESSORIES

Bottom Grid: GBG2115SS  
Cutting Board: CB1516 (large bowl), CBS715 (small bowl),  
CB816 (small bowl)  
Drain: LK35, D1125

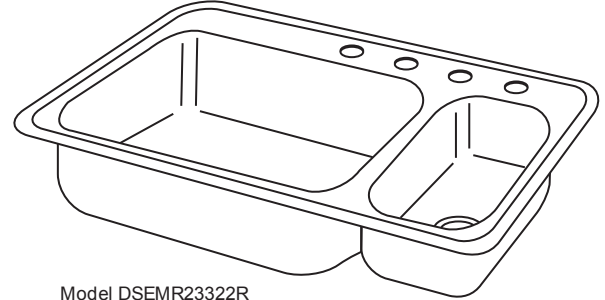
Sinks comply with ASME A112.19.3-2008 / CSA B45.4-08.



DE prefix sinks are listed by the International Association of Plumbing and Mechanical Officials as meeting the requirements of the Uniform Plumbing Code and the National Plumbing Code of Canada.



Model DSEMR23322

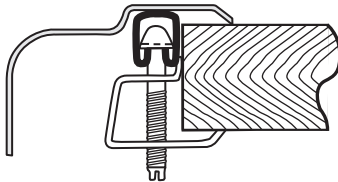


Model DSEMR23322R



**SINKS ARE  
MADE IN THE USA**

### U-Channel Type Mounting System



SEE NEXT PAGE FOR PRODUCT DIMENSIONS.

*In keeping with our policy of continuing product improvement, Elkay reserves the right to change product specifications without notice.*

*This specification describes an Elkay product with design, quality and functional benefits to the user. When making a comparison of other producers' offerings, be certain these features are not overlooked.*

**Elkay**

elkayusa.com

2222 Camden Court  
Oak Brook, IL 60523

Printed in U.S.A.  
©2011 Elkay

(Rev. 6/11) 2-9G

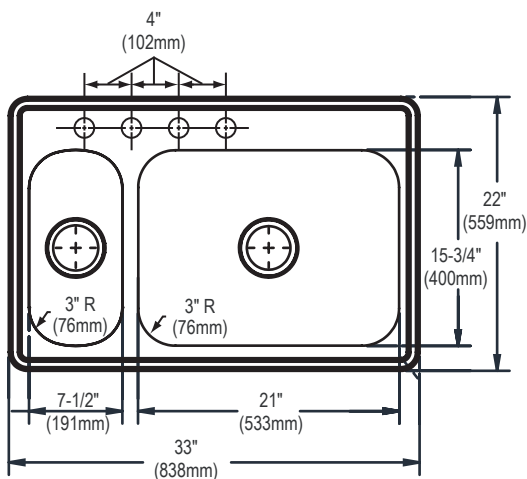
**Dayton® Elite Double Bowl Sink**  
**Models DEMR23322, DEMR23322R,**  
**DSEMR23322 and DSEMR23322R**

**DAYTON**  
**SPECIFICATIONS**

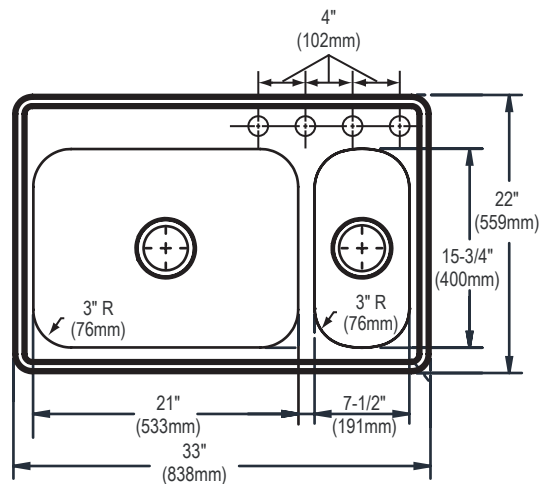
**SINK DIMENSIONS (INCHES)\***

| Model Number | Overall       |               | Inside Each Bowl |                |               |               |                |               | Cutout in Countertop (1½" (38mm) Radius Corners) |                | No. of 1½" (38mm) Dia. Faucet Holes 4" (102mm) Centers | Minimum Cabinet Size |
|--------------|---------------|---------------|------------------|----------------|---------------|---------------|----------------|---------------|--------------------------------------------------|----------------|--------------------------------------------------------|----------------------|
|              |               |               | Left             |                |               | Right         |                |               | L                                                | W              |                                                        |                      |
|              | L             | W             | L                | W              | D             | L             | W              | D             |                                                  |                |                                                        |                      |
| DEMR23322    | 33<br>(838mm) | 22<br>(559mm) | 7½<br>(191mm)    | 15¼<br>(400mm) | 5⅝<br>(130mm) | 21<br>(533mm) | 15¼<br>(400mm) | 6½<br>(165mm) | 32⅜<br>(822mm)                                   | 21⅜<br>(543mm) | 3, 4, or 5                                             | 36<br>(914mm)        |
| DEMR23322R   | 33<br>(838mm) | 22<br>(559mm) | 21<br>(533mm)    | 15¼<br>(400mm) | 6½<br>(165mm) | 7½<br>(191mm) | 15¼<br>(400mm) | 5⅝<br>(130mm) | 32⅜<br>(822mm)                                   | 21⅜<br>(543mm) | 3, 4, or 5                                             | 36<br>(914mm)        |
| DSEMR23322   | 33<br>(838mm) | 22<br>(559mm) | 7½<br>(191mm)    | 15¼<br>(400mm) | 5⅝<br>(130mm) | 21<br>(533mm) | 15¼<br>(400mm) | 8<br>(203mm)  | 32⅜<br>(822mm)                                   | 21⅜<br>(543mm) | 3 or 4                                                 | 36<br>(914mm)        |
| DSEMR23322R  | 33<br>(838mm) | 22<br>(559mm) | 21<br>(533mm)    | 15¼<br>(400mm) | 8<br>(203mm)  | 7½<br>(191mm) | 15¼<br>(400mm) | 5⅝<br>(130mm) | 32⅜<br>(822mm)                                   | 21⅜<br>(543mm) | 3 or 4                                                 | 36<br>(914mm)        |

\*Length is left to right. Width is front to back.



Model D(S)EMR233224 Illustrated



Model D(S)EMR23322R4 Illustrated

**Hole Drilling Configurations**

1-1/2" (38mm) Diameter Faucet Holes on 4" (102mm) Centers

