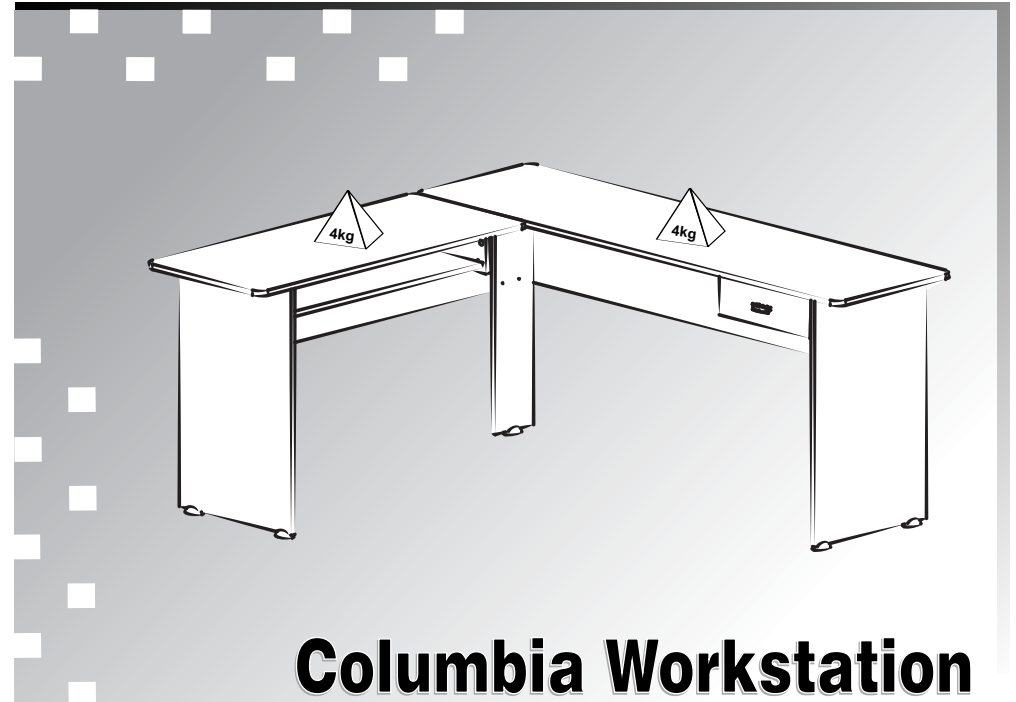
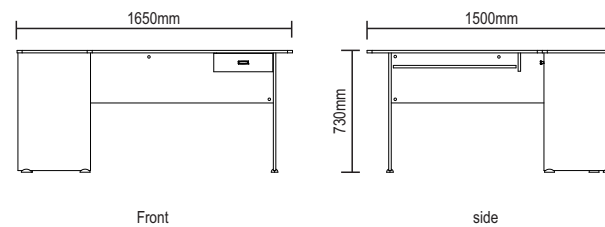


User's Guide



Columbia Workstation

1.0 Version



Front

side

www.artely.com.br

Assembly tools are not provided.

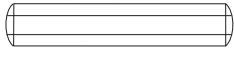

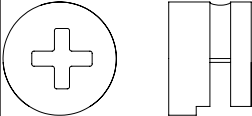



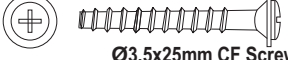
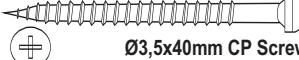




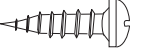
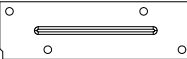


Conservation and Cleaning

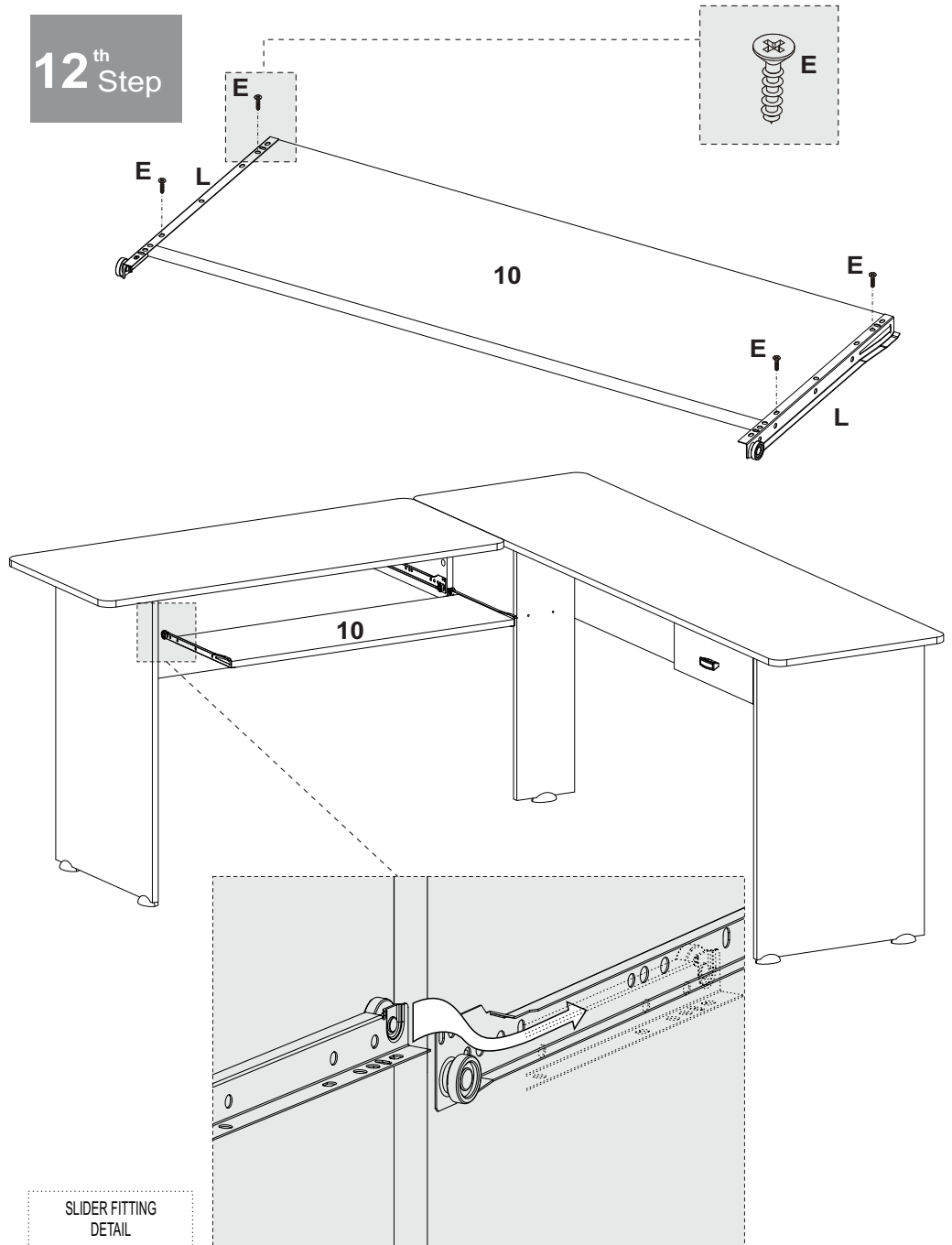
Do not expose the product to sunlight, high temperatures and humidity. Do not drag objects across the surface of the unit (TV, DVD, stereo, decorative objects ...)

Keep it in a fresh dry place. For cleaning, use a dry and soft cloth. Do not use abrasive materials or alcohol.

Hardware List

A		Peg	18
B		Minifix	20
C		Minifix Cam	20
D		Hole Cover	20
E		Ø3,5x12mm CC Screw	16
F		Ø3,5x25mm CP Screw	4
G		Ø3,5x25mm CF Screw	2
I		Ø3,5x40mm CP Screw	4
J		Handle	1
L		300mm Slider	4
M		300mm Slider	4
N		Foot	5
O		Ø4,0x14mm CP Screw	4
P		Junction	1

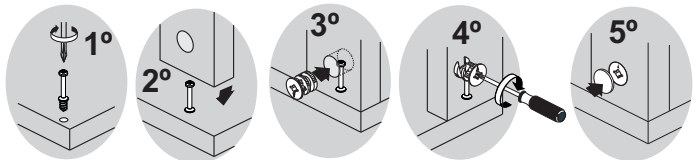
12th Step



SLIDER FITTING
DETAIL

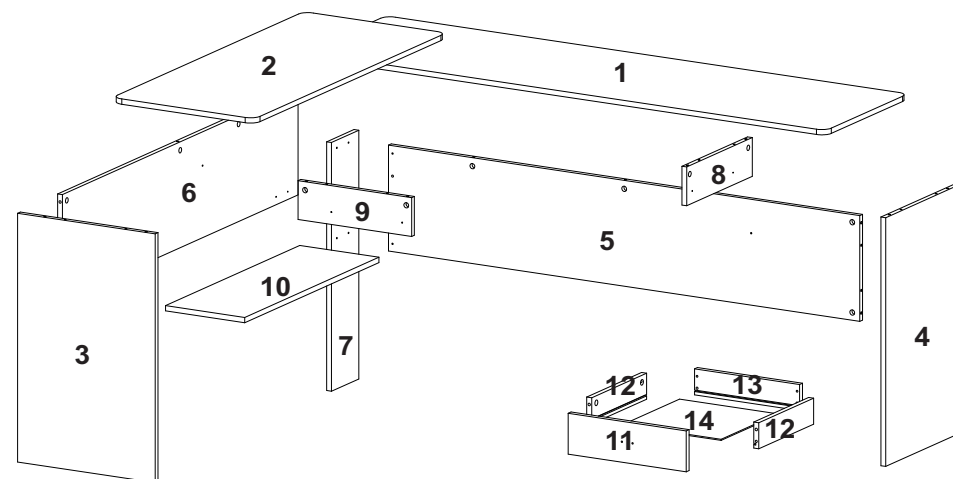
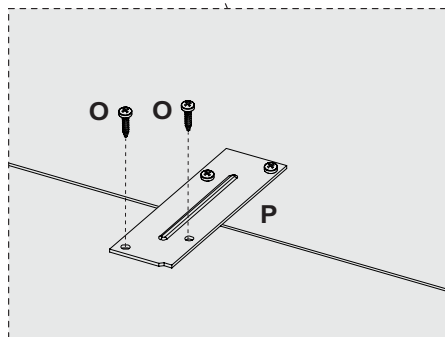
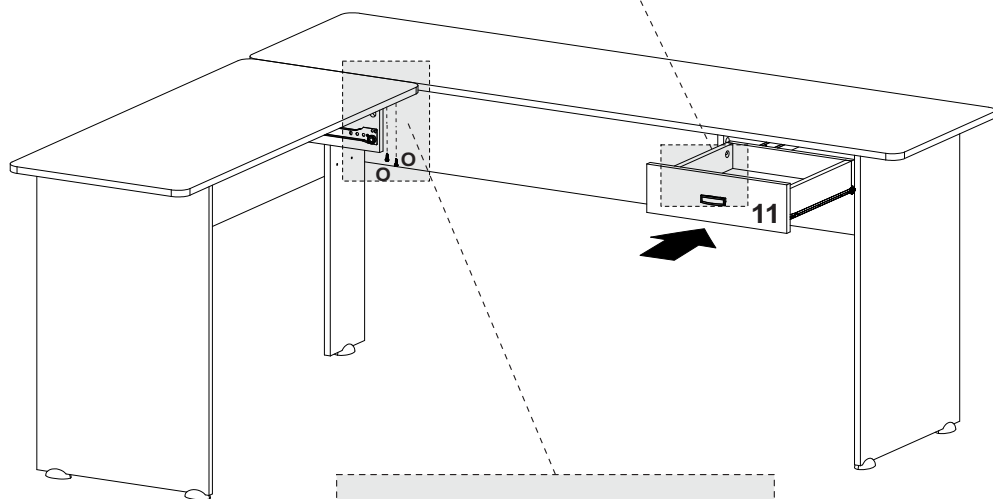
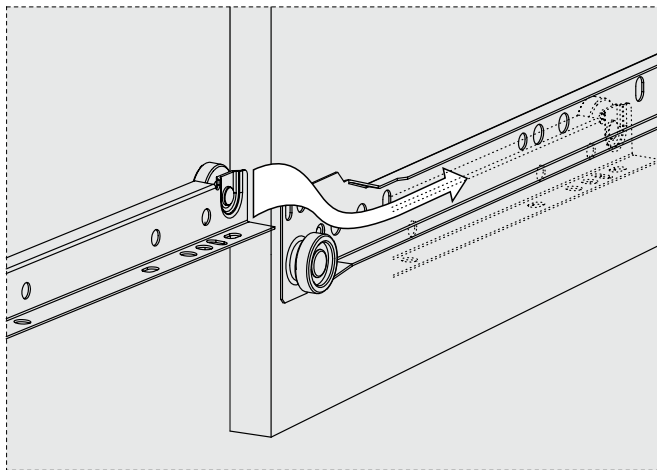


PROCEED WITH ATTENTION
THE ASSEMBLING INSTRUCTIONS .



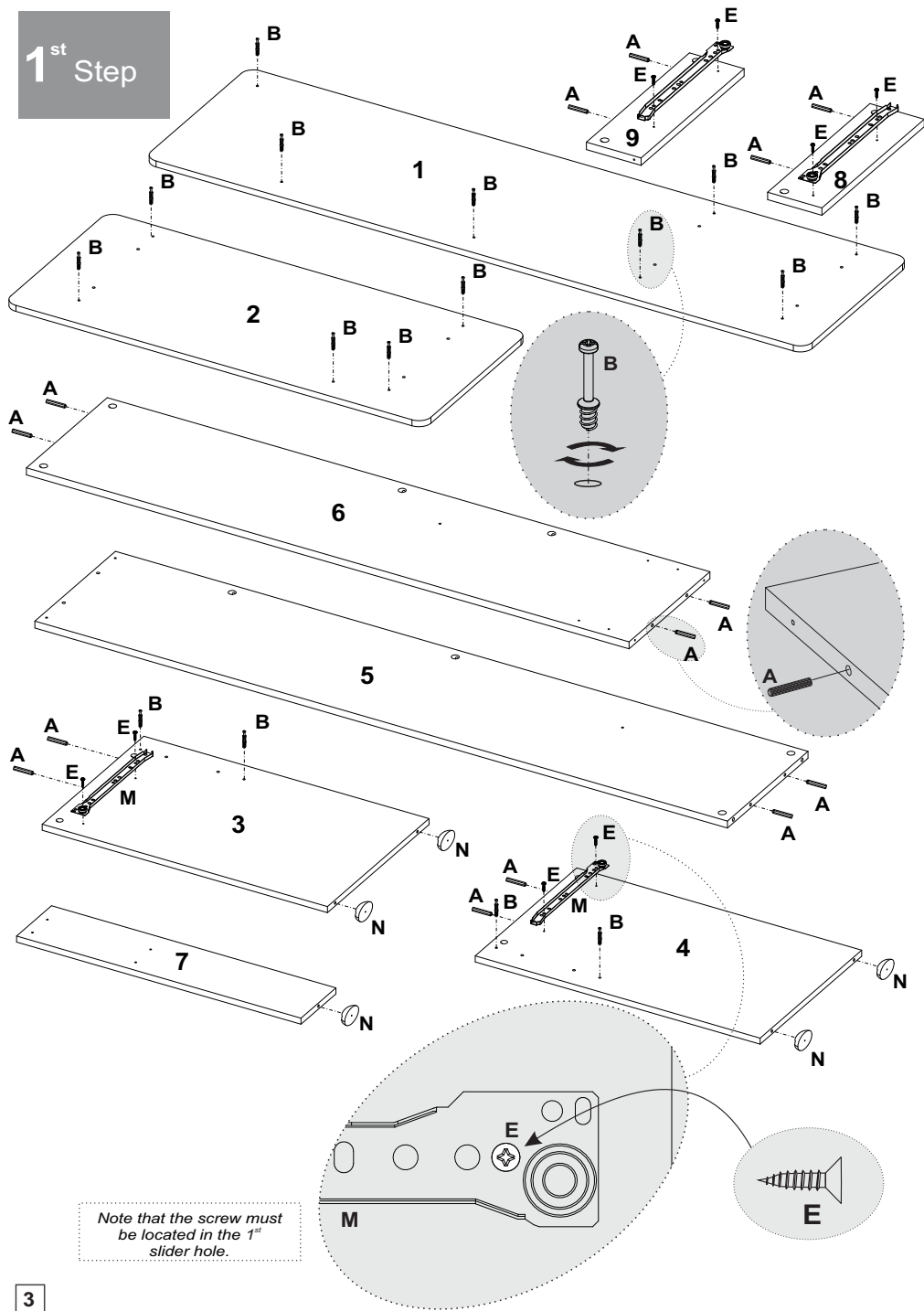
11th Step

SLIDER FITTING
DETAIL

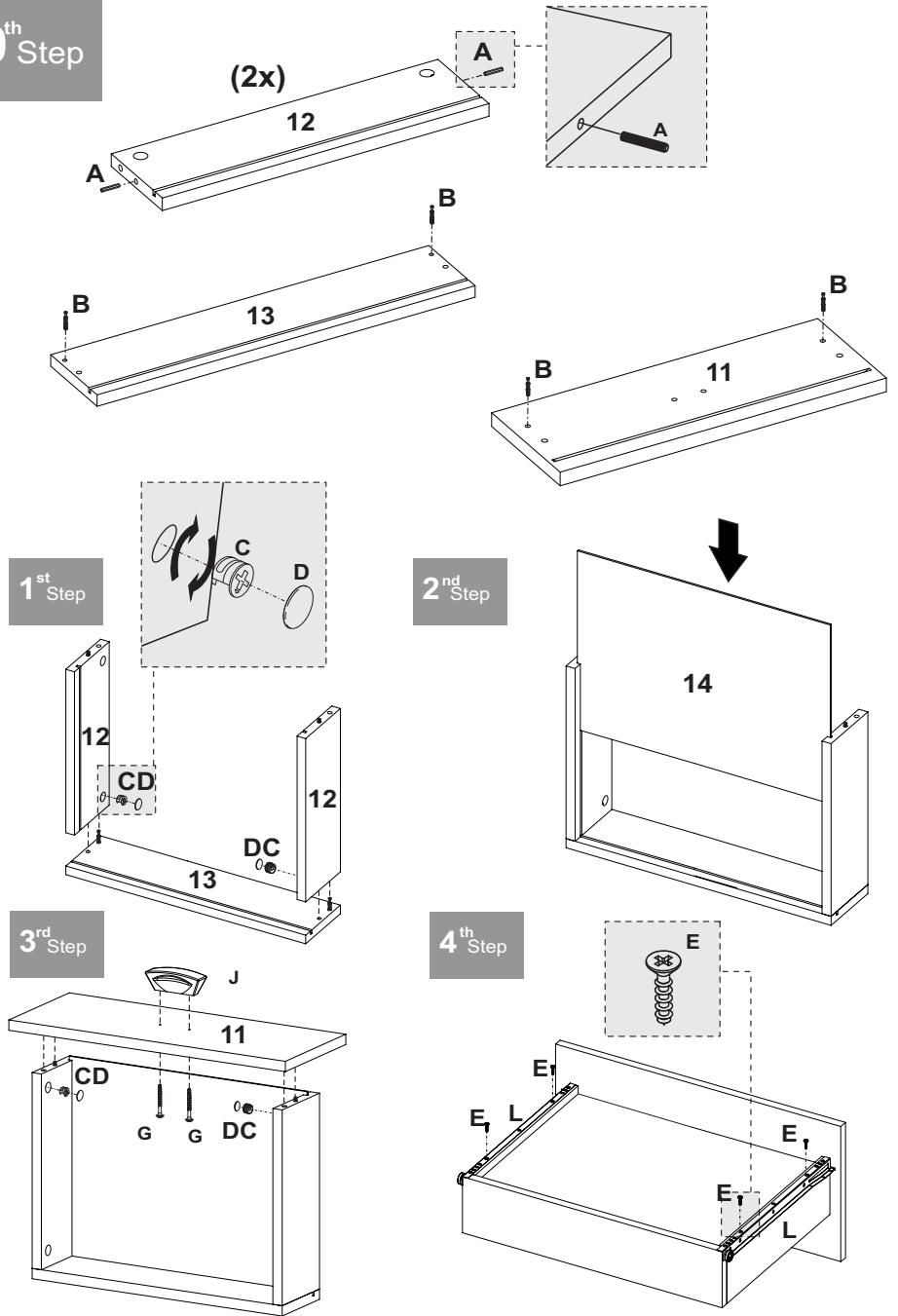


Description	Qty
1- Top (1650x450x15mm)	1
2- Side top (1050x450x15mm)	1
3- Left side (705x435x15mm)	1
4- Right side (705x435x15mm)	1
5- Back (1490x300x15mm)	1
6- Side back (1290x300x15mm)	1
7- Crosspiece (705x150x15mm)	1
8- Division (359x110x15mm)	1
9- Keyboard shelf division (359x110x15mm)	1
10- Keyboard shelf (735x250x15mm)	1
11- Drawer front (354x110x15mm)	1
12- Drawer side (285x70x15mm)	2
13- Drawer back (315x70x15mm)	1
14- Drawer bottom (295x295x3mm)	1

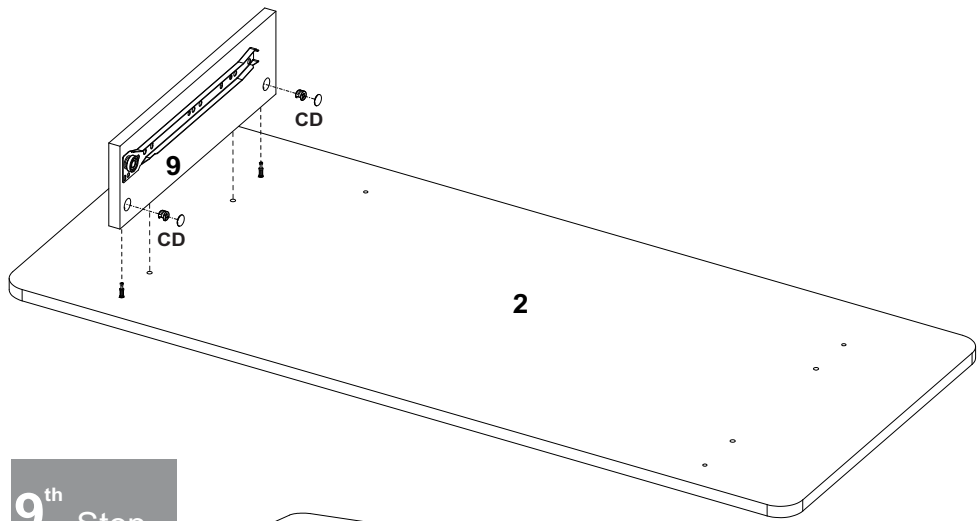
1st Step



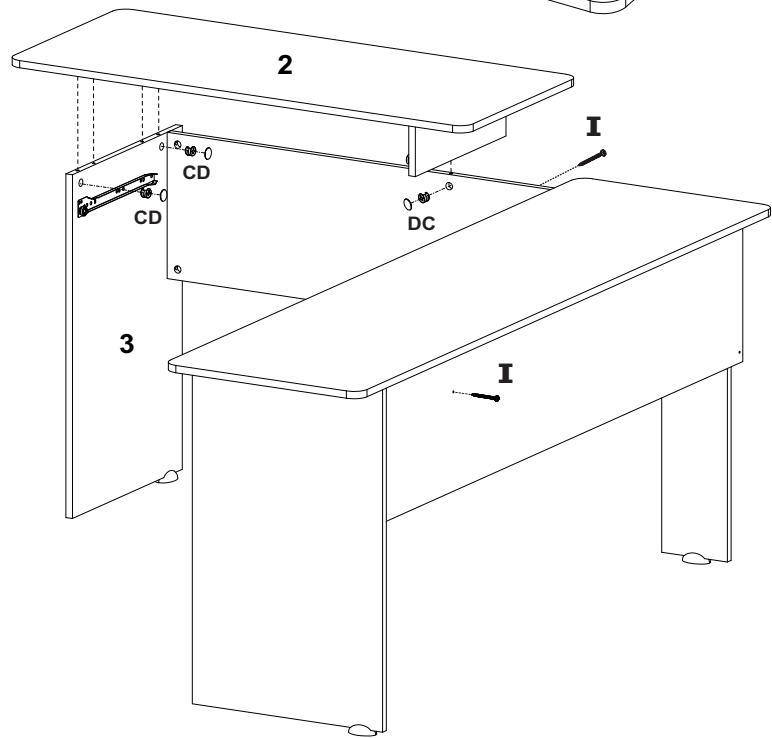
10th Step



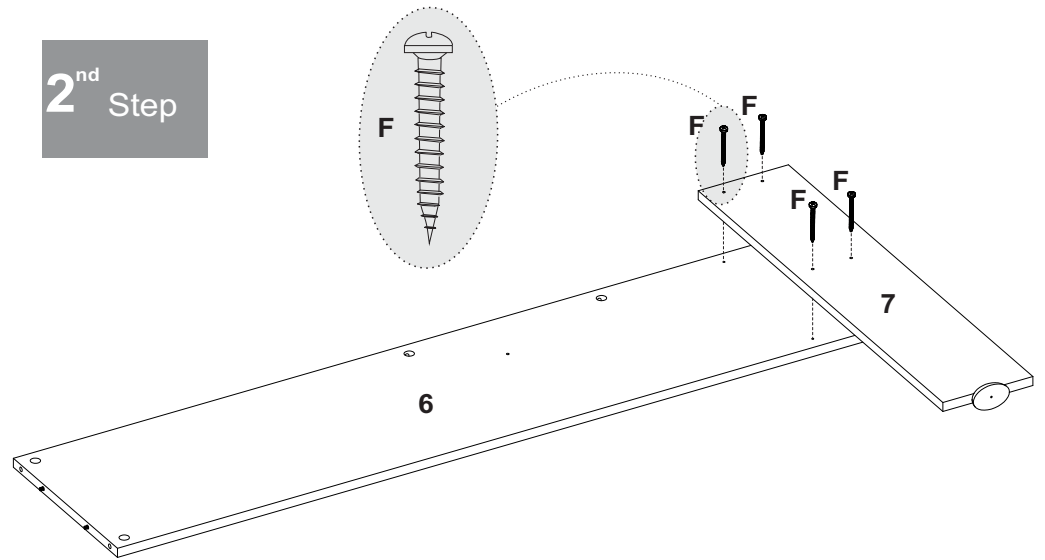
8th Step



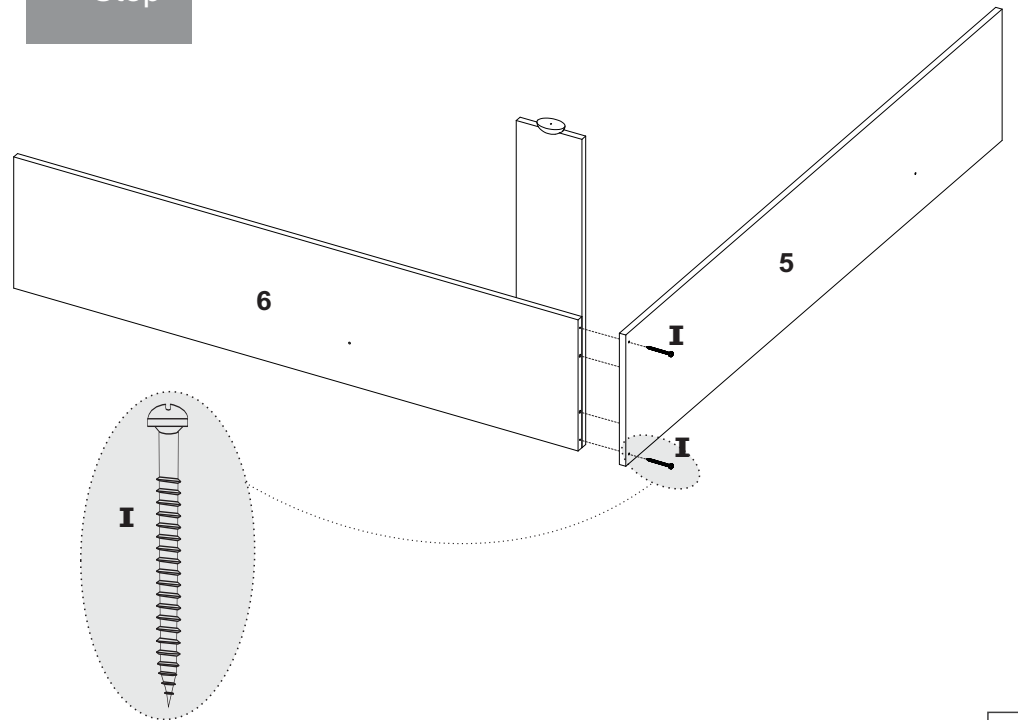
9th Step



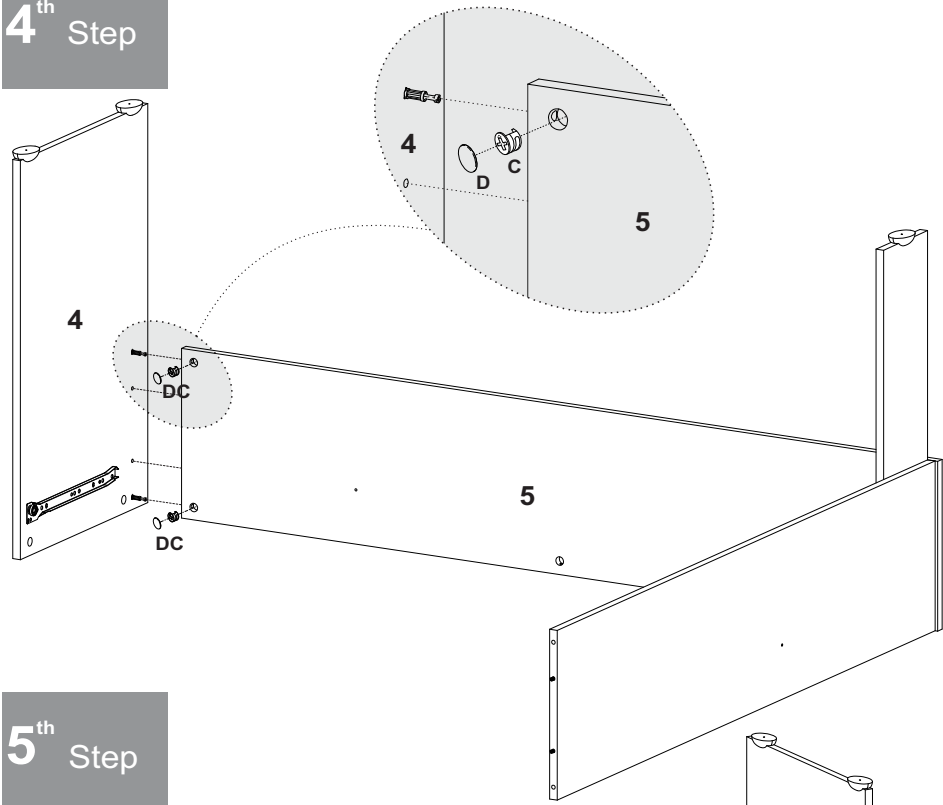
2nd Step



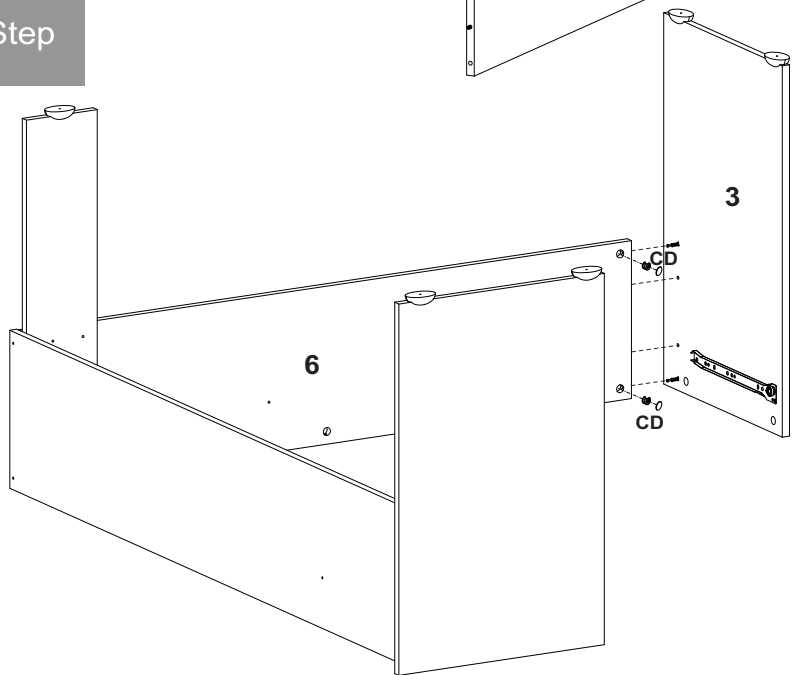
3rd Step



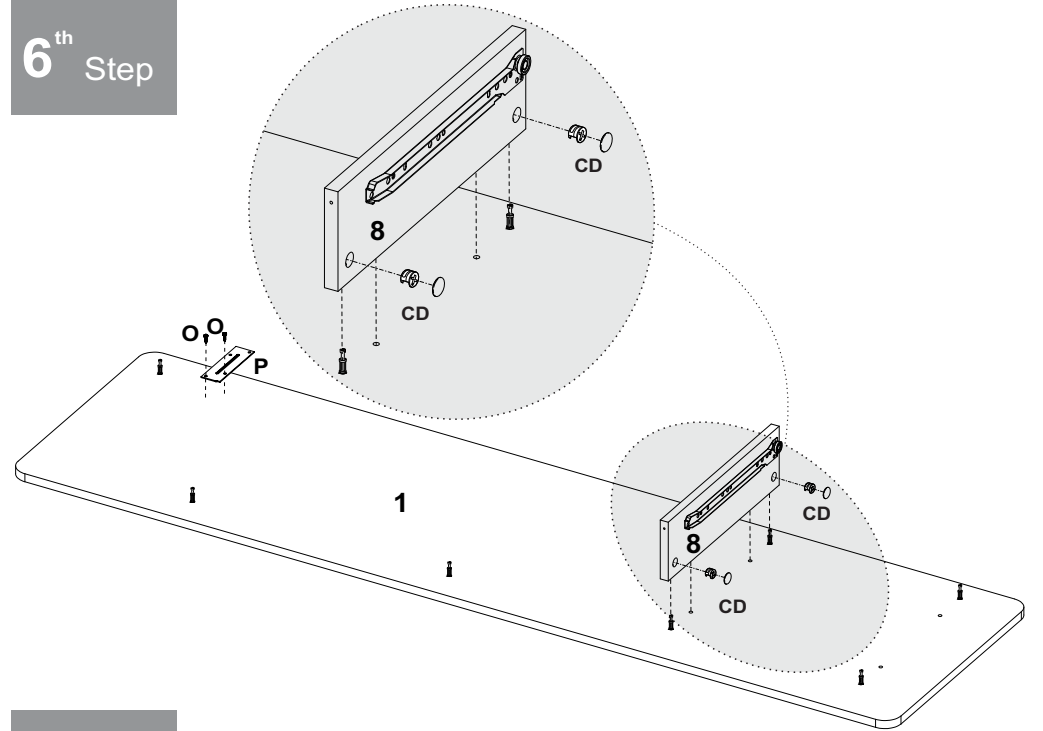
4th Step



5th Step



6th Step



7th Step

