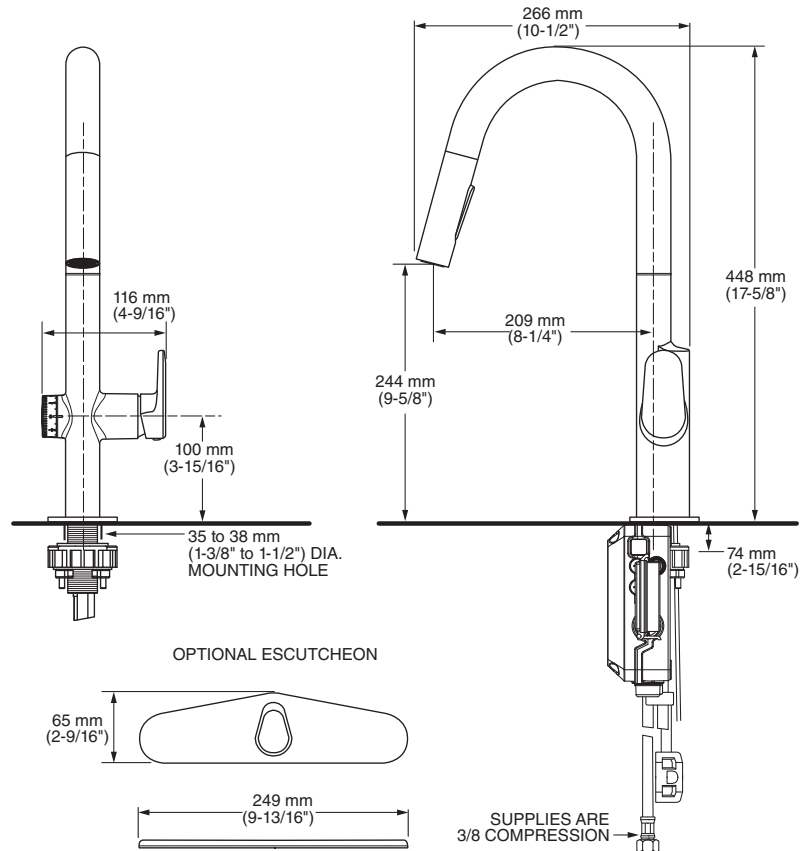


MODEL NUMBER:

- ☐ **4931.360 Pull-Down Kitchen Faucet with MeasureFill Technology**



GENERAL DESCRIPTION:

Single control kitchen faucet featuring MeasureFill technology for a precise set volume of water - on demand as well as touch functionality to turn the water flow ON and OFF. Ships with 4x AA alkaline batteries with optional AC adapter available for separate purchase. Features brass swivel spout and two function spray head. 35 mm ceramic disc valve cartridge, metal body and ADA metal lever handle.

Includes 36" integrated nylon supply hoses with 3/8" compression connections. Durable braided nylon spray hose is complete with two integral check valves. Maximum flow rate is 1.5 gpm / 5.7 L/ min. Metal mounting shank with brass fixation ring. Fitting can be mounted with or without escutcheon plate (sold separately).

PRODUCT FEATURES:

MeasureFill™ Technology: Delivers a precise set volume of water — on demand up to 5 cups/40 oz.

Touch Functionality: Faucet can be turned ON and OFF with a simple touch on the faucet dial window.

Manual Faucet Operation: Lever handle allows for manual faucet operation.

Re-Trax™ spray head retraction system: Spray hose technology system to ensure smooth pull-out, operation, and retraction of spray head.

Ceramic Disc Valve Cartridge: Precise temperature and flow control with a lifetime of drip-free, maintenance-free performance.

Lead Free: Faucet contains ≤ 0.25% total lead content by weighted average.

Integral Check Valves: Prevents back flow and cross flow.



ADA COMPLIANT

LEAD FREE

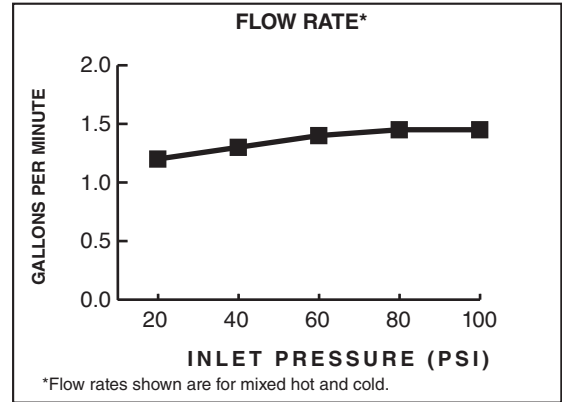
SUGGESTED SPECIFICATION:

Single control kitchen pull-down faucet shall feature a dial ring with MeasureFill™ technology, a high arc brass swivel spout with pull-down two-function spray, and metal lever handle. Shall also feature 35 mm washerless ceramic disc valve cartridge and flexible nylon supply hoses. Faucet shall be American Standard Model # 4931.360.____.

CODES AND STANDARDS

These products meet or exceed the following codes and standards:

- ANSI A117.1**
- ASME A112.18.1**
- CSA B125.1**
- NSF 61/Section 9**
- NSF 372**



1.5 gpm/5.7 L/min. FLOW RATE

Product Number	Description	Finish Options	
		Polished Chrome	PVD Stainless Steel
		002	075
4931.360	Beale Pull-Down Kitchen Faucet with MeasureFill™ technology.		

 Meets the American Disabilities Act Guidelines and **ANSI A117.1** Requirements for the physically challenged.