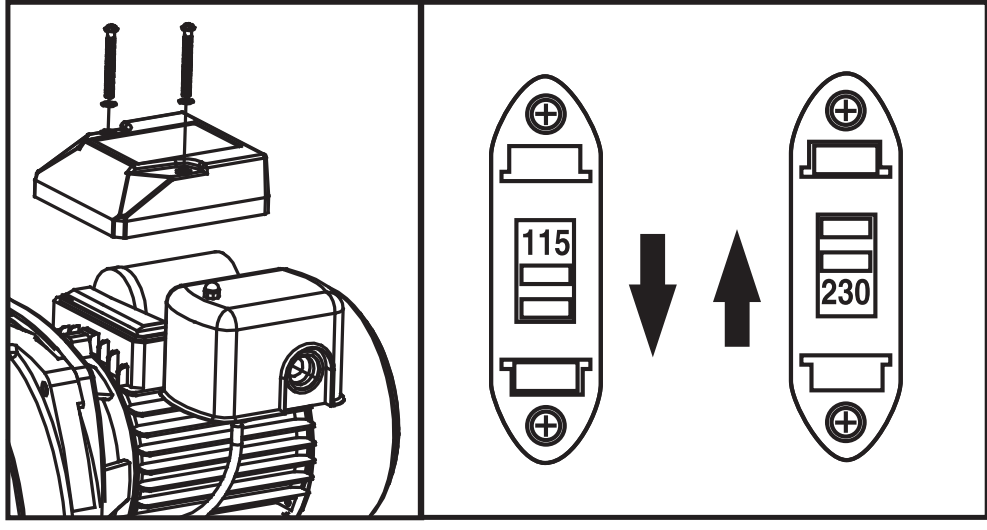
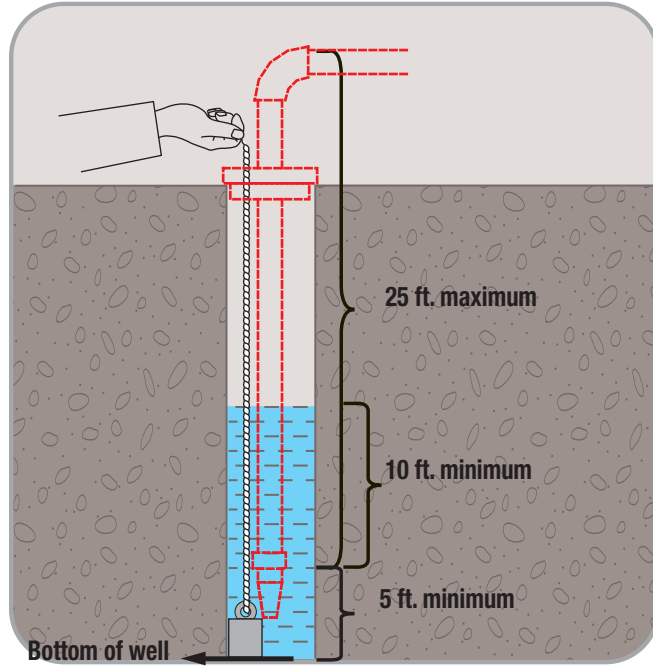


**PUMP IS PRESET TO 230 VOLTS. CHECK YOUR POWER SOURCE (EITHER 115 VOLTS OR 230 VOLTS), AND MAKE SURE PUMP IS SET TO CORRECT SETTING.**



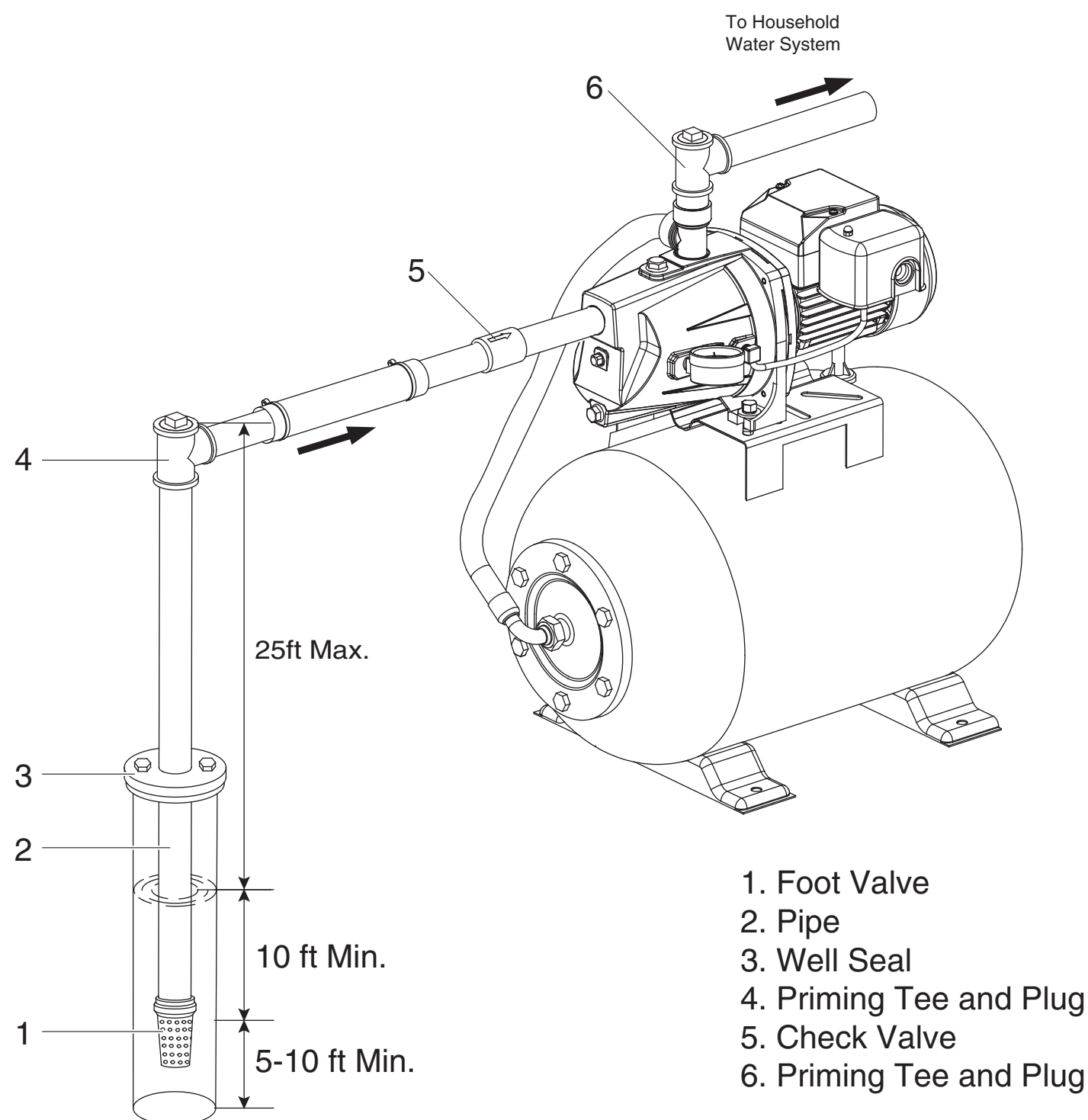
1. POWER off
2. Slide to the proper voltage
3. POWER on

### Determine the depth of your well



1. Tie a small but heavy weight such as a fishing weight to the end of a piece of cotton string.
2. Lower the weight into the well until it reaches the bottom of the well.
3. Make a mark on the string at ground level.
4. Pull the weight out of the well and measure from the bottom of the weight to the ground level mark.
5. This is the depth of your well. Subtract five feet from the depth of your well. This number should not exceed 25 feet.
6. Measure the ground level mark to the mark where the string is wet. This number is your well's water level.
7. It should also be at least 10 feet below the well's water level while the pump is running in order to prevent the pump from sucking air due to water level drawdown.

### Application



1. Foot Valve
2. Pipe
3. Well Seal
4. Priming Tee and Plug
5. Check Valve
6. Priming Tee and Plug

### YOU MAY ALSO NEED

