

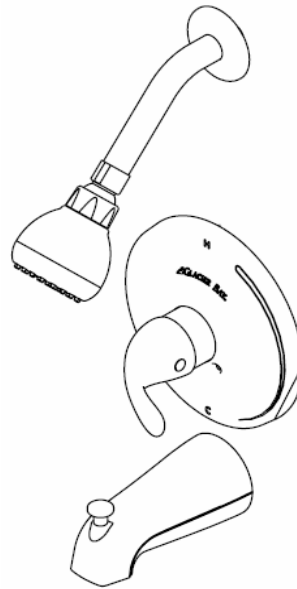
PRESSURE BALANCED TUB & SHOWER SET

814-278

F1AA4535BNV

FEATURES:

- Solid brass and copper waterways
- Drip-free ceramic cartridge
- Metal lever handle
- Max flow rate: 2.5 GPM at 80Psi
- Meets ADA requirements
- 100% factory pressure tested before shipment



CODES / STANDARDS APPLICABLE:

Specified model meets or exceeds the following:

- ANSI/ASME A112.18.1
- IAPMO/UPC
- CSA B125
- ADA

COLOR FINISHES:

- BNV = Brushed Nickel

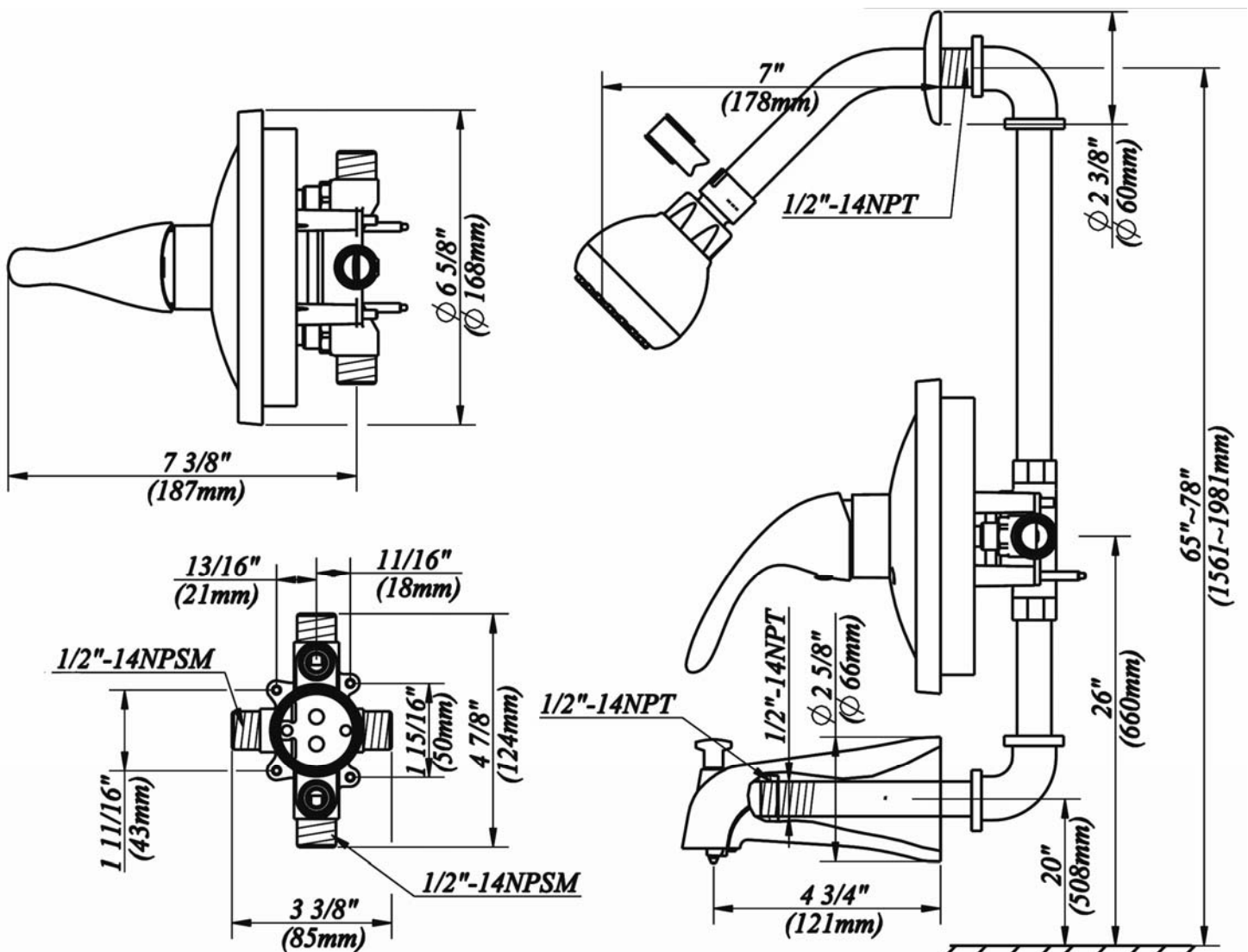
SPECIFIED MODEL:

Model	Description	Finish
814-278	Pressure Balanced Tub & Shower Set	Brushed Nickel

814-278

F1AA4535BNV

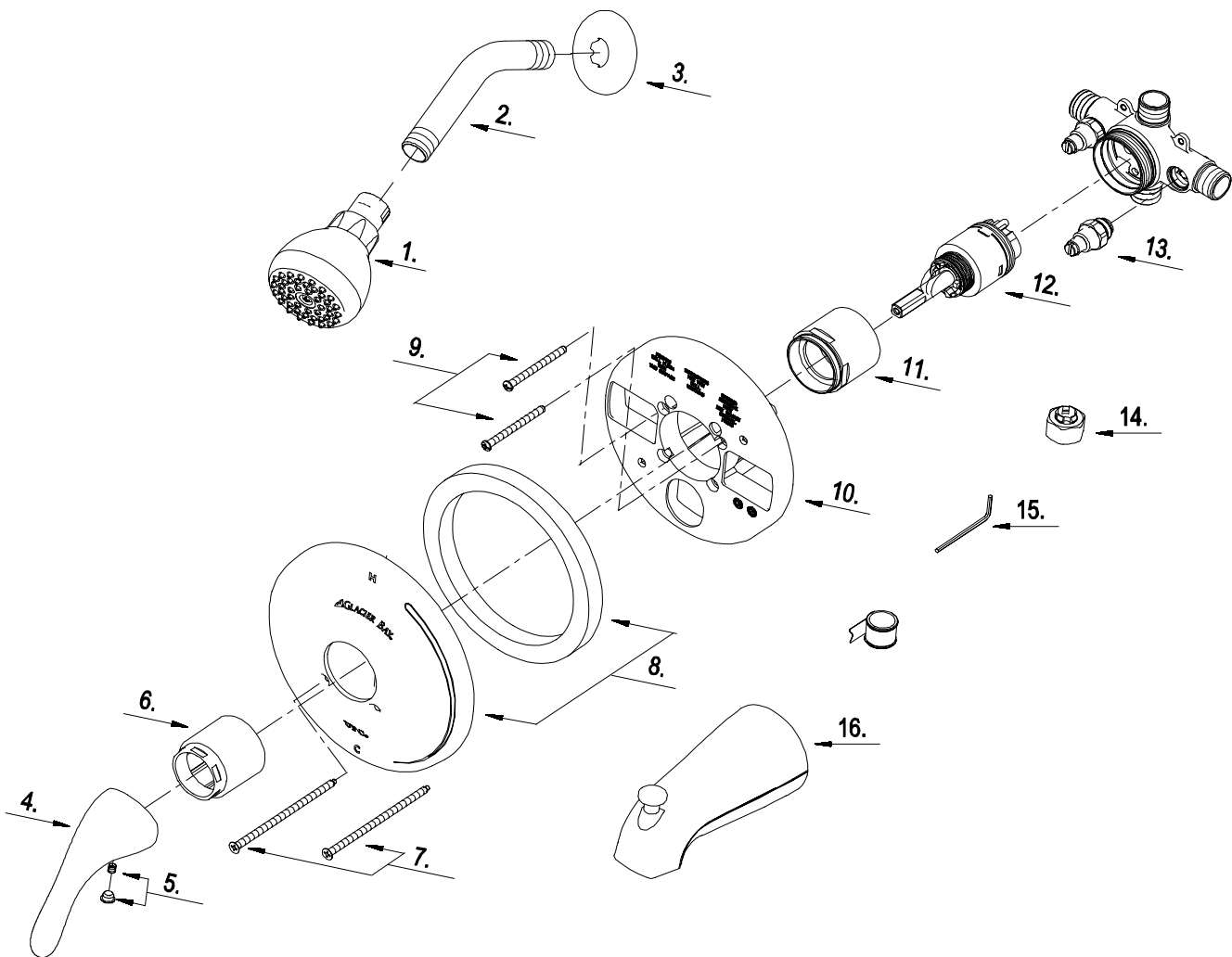
PRODUCT SPECIFICATION DIAGRAM



814-278

F1AA4535BNV

EXPLODED DRAWING



814-278**F1AA4535BNV****PARTS LISTING**

No.	Part Number	Finish	Part Description
		814-278	
1	S1211306	BN	Shower Head
2	A020002	BNV	Shower Arm
3	A019001	BNV	Shower Arm Flange
4	A069752	BNV	Metal Handle
5	A66D814		Handle Cap
6	A103311	BNV	Trim Cap
7	A608563		Screw (3/16" -24 * 4 " L)
8	A667103	BNV	Escutcheon Assembly
9	A608519		Screw (3/16" -24 * 2-3/16" L)
10	A127211KP		Plaster Guard
11	A103303	BNV	Trim Cap
12	A507887		Ceramic Disc Cartridge
13	A603120		Check Valve
14	A028452		Plug
15	A031000	NI	Hex Wrench (H2.5 * 19 mm L * 53 mm L)
16	A100012	BNV	Spout W/Diverter