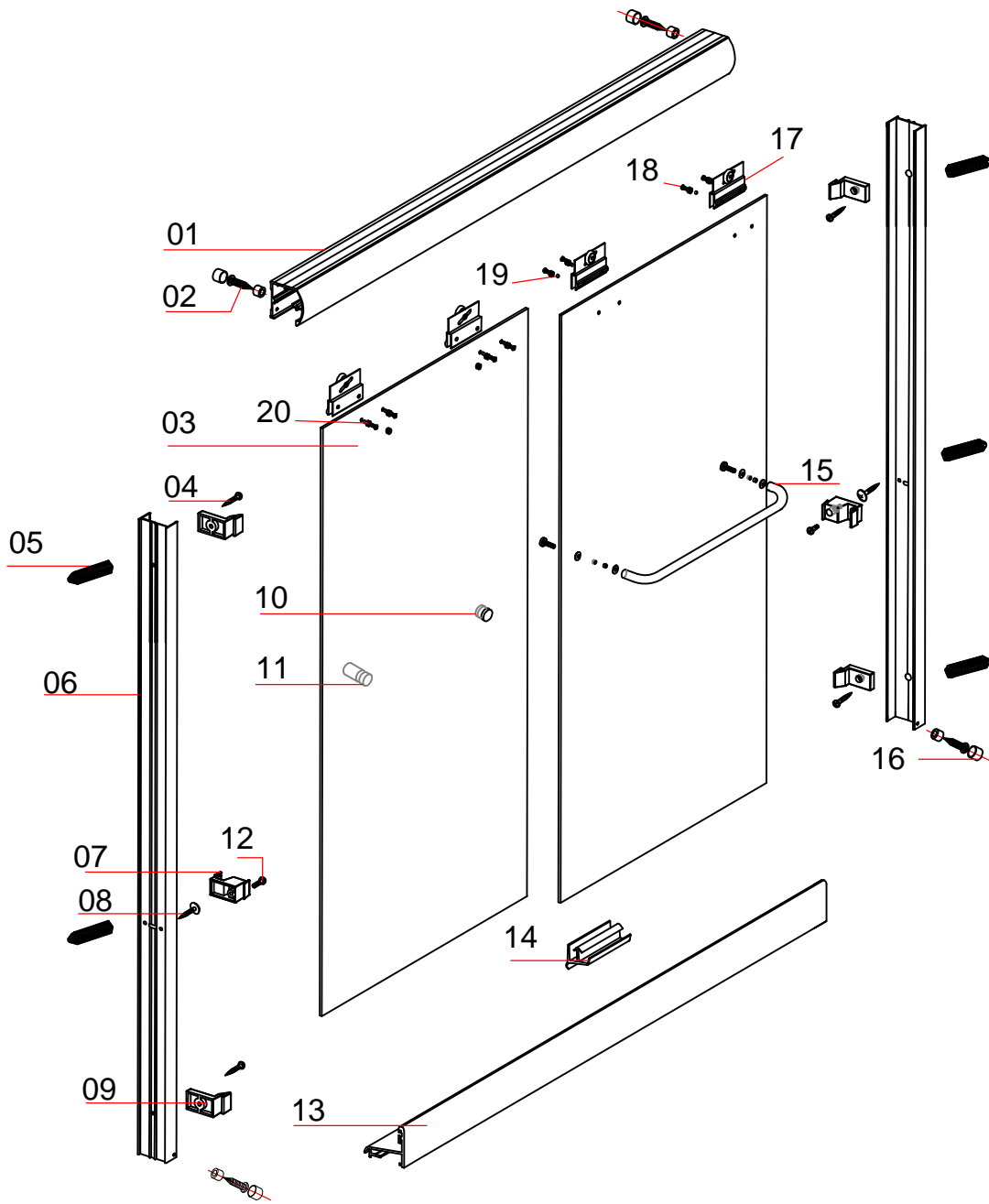
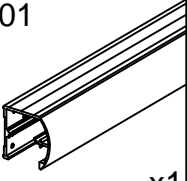
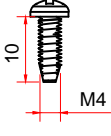
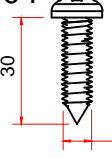
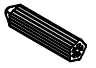
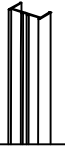
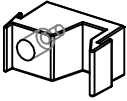
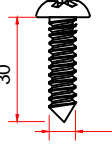
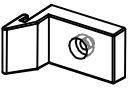


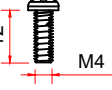
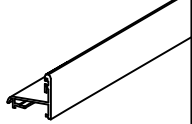
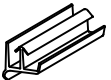
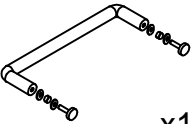
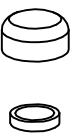
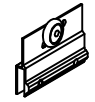
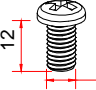


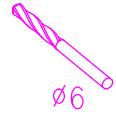
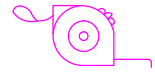
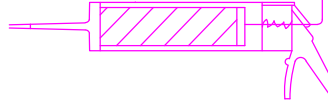
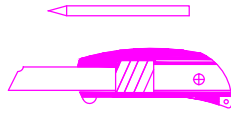
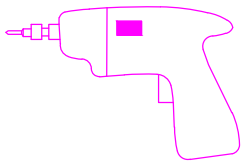


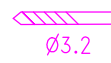
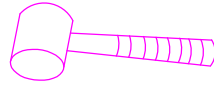
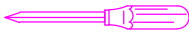
# B020



01  x1	02  x4	04  x4	05  x6	06  x2	07  x2	08  x2
09  x4	10  x1	11  x1	12  x2	13  x1	14  x1	15  x1
16  x4	17  x4	18  x8	19  x8	20  x8		

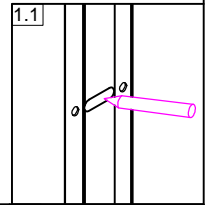
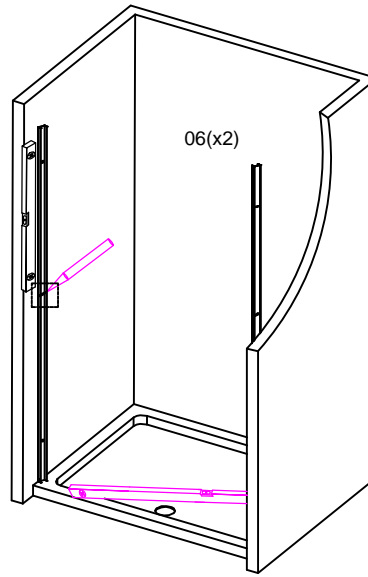
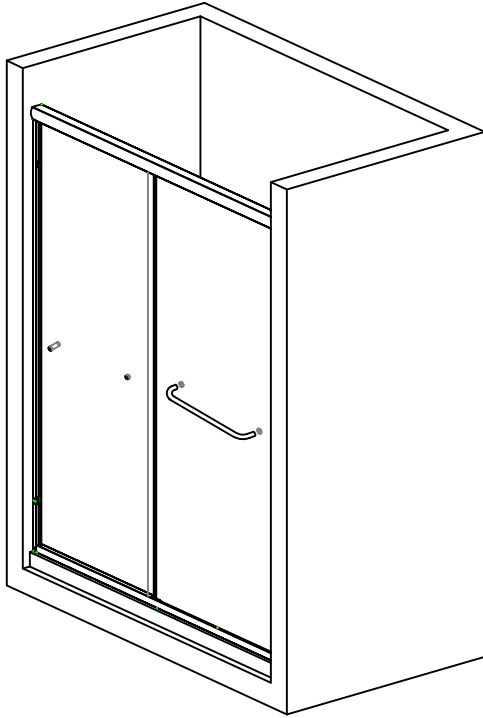


Ø6

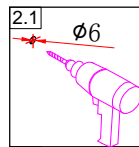
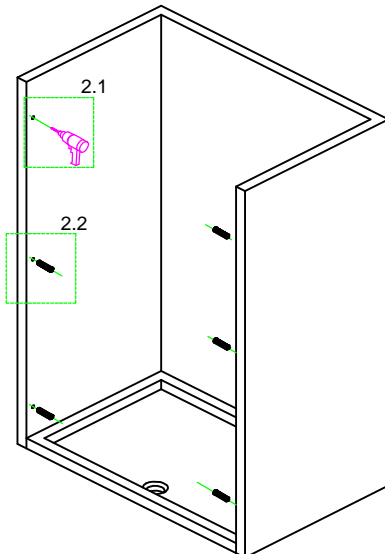


Ø3.2

1



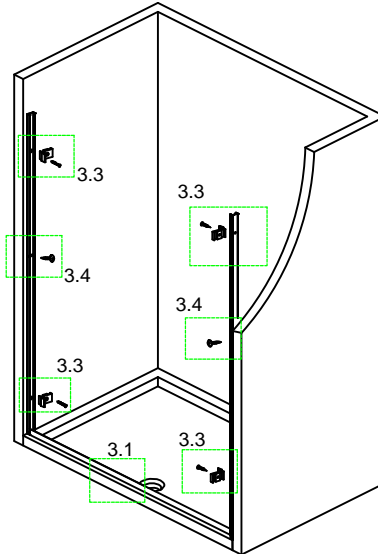
2



2.2 05(6X)



3



3.1  
13(x1)  
14(x1)

