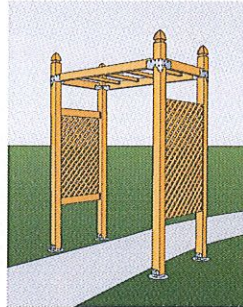


Garden Trellis

STRONG-TIE

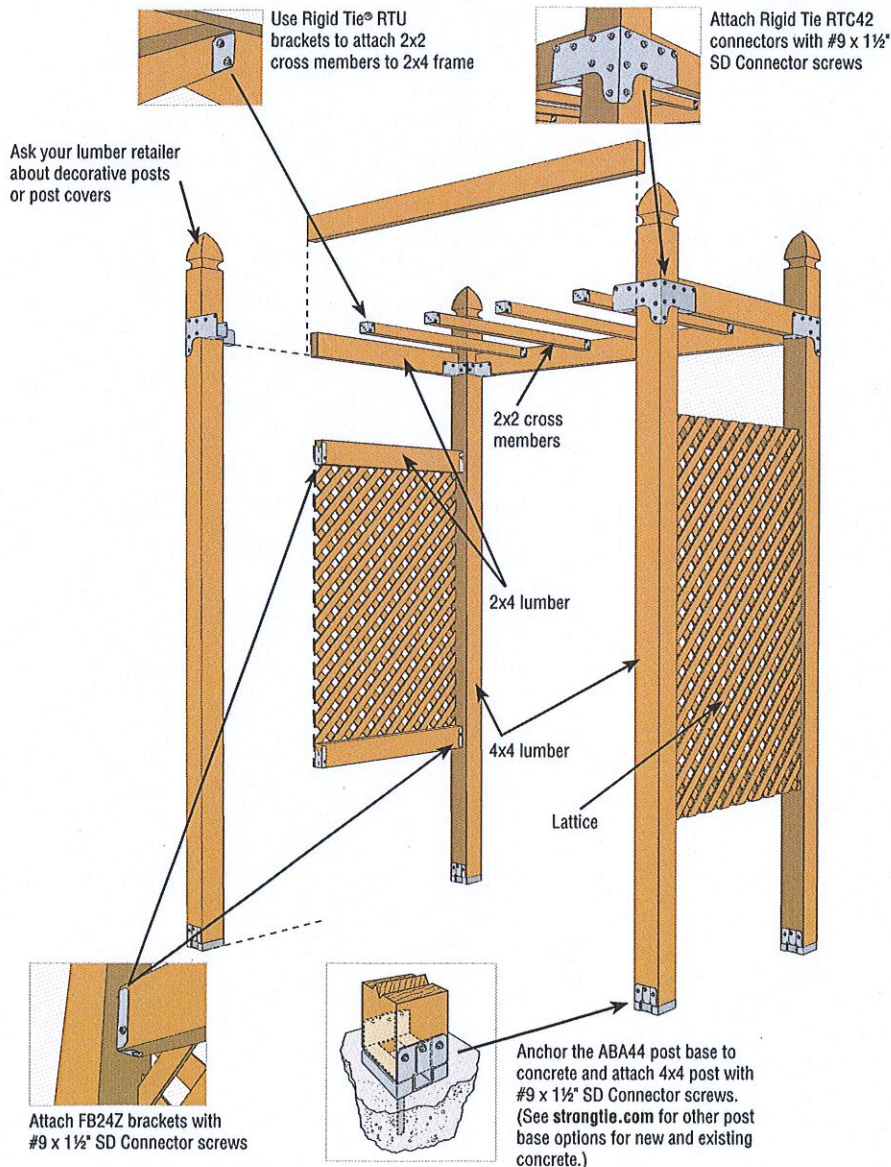
DIY
TM

Build this trellis to give your landscape an interesting focal point while getting the most from your home improvement dollar. Simpson Strong-Tie® connectors make it quick and easy to build this simple, strong structure in just one day. Use cedar lumber with a weather-proof stain, to dress it up or customize to fit your needs. Simpson Strong-Tie post bases make it easy to anchor your trellis securely to concrete.



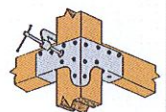
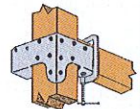
TOOLS NEEDED

- Saw
- Screw gun
- #2 Phillips-head bit
- ¼" hex head socket
- Tape measure
- Clamps
- Framing square
- Straight edge



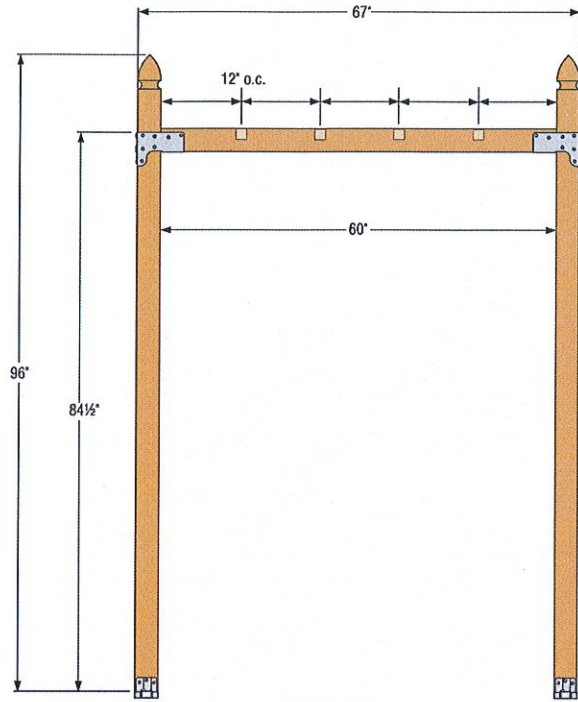
INSTALLATION INSTRUCTIONS

- 1. Cut lumber and plywood to size.** Since all of your cuts are straight cuts, Simpson Strong-Tie connectors simplify building with wood.
- 2. Install connectors on vertical posts.** Mark height, clamp connector to post and attach with Simpson Strong-Tie #9 x 1½" Strong-Drive® SD Connector screws.
- 3. Connect horizontal rails on each side.** Use a clamp to help hold the wood in the seat of the connector during installation.

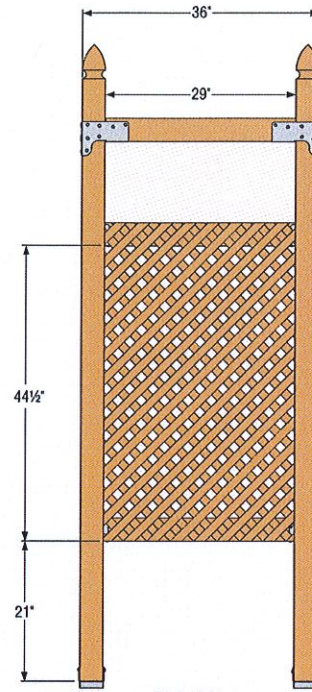


Garden Trellis

Materials and Cut Diagram



Front View



Side View

Hardware Needed

- (4) Rigid Tie® RTC42 connectors**
- (8) Rigid Tie® RTU2 brackets**
- (8) FB24Z brackets**
- (4) ABA44 post bases**
- (2) Boxes Simpson Strong-Tie® #9 x 1 1/2" Strong-Drive® SD Connector screws
- (20) #8 x 1 1/4" flat-head screws
- (4) Anchors (for existing or new concrete)

Lumber Needed

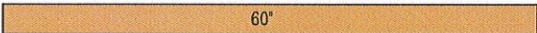
- (4) Pieces 4x4 x 8'
- (4) Pieces 2x4 x 8'
- (2) Pieces 2x2 x 8'
- (1) Piece 4' x 8' sheet of lattice (wood or plastic)

Cut List

Cut from 4x4 x 8'

- (4) 96" corner post →  (4x)

Cut from 2x4 x 8'

- (2) 60" horizontal rails →  (2x)

(6) 29" end rails

-  (2x)

Cut from 2x2 x 8'

- (4) 29" trellis rafters →  (2x)

Cut from 4' x 8' sheet of lattice

- (2) 29" x 48" lattice sides → 

Cut two from (1) 4' x 8' sheet. Attach with #8 x 1 1/4" flat-head screws at 8" spacing.

*Use preservative-treated wood or non-treated wood with exterior-grade paint or stain.

**Corrosion Information: We recommend using our ZMAX® galvanized product for best results on exterior projects and those using preservative-treated wood. These products have a "Z" at the end of the model number (ex. RTC42Z). ZMAX coated products provide additional corrosion resistance, which is advisable, but not required, for non-structural projects like the one shown above. Visit strongtie.com/info for critical information.

The construction plan for this project is designed to be completed by people with basic carpentry skills in standard situations. If your situation is unique, talk with someone with detailed carpentry or construction experience before starting your project. Particular attention was paid to the steps and details in this plan, but they cannot be guaranteed to be error free. Simpson Strong-Tie shall not be responsible for any possible loss, damage or injury resulting directly or indirectly from the information contained here.

(800) 999-5099
strongtie.com/diy

