

Operator's Manual

Trimmer
(2-Cycle, 25 cc)

SAVE THESE INSTRUCTIONS

IMPORTANT: Read this manual thoroughly before using this product. Follow all instructions.

Manuel de l'utilisateur

Taille-bordure
(2 Temps, 25 cc)

CONSERVEZ CES INSTRUCTIONS

IMPORTANT : Lisez attentivement ce manuel avant d'utiliser ce produit. Respectez toutes les instructions.

Manual del Operador

Desbrozadora
(2 Tiempos, 25 cc)

CONSERVE ESTAS INSTRUCCIONES

IMPORTANTE: Lea este manual por completo antes de utilizar este producto. Siga todas las instrucciones.

English (Original Instructions)..... 3
Français (Traduction des instructions d'origine) 31
Español (Traducción de las instrucciones originales)..... 61



WARNING: This product can expose you to chemicals including engine exhaust, which is known to the State of California to cause cancer, and carbon monoxide, which is known to the State of California to cause birth defects or other reproductive harm. For more information go to www.P65Warnings.ca.gov.



AVERTISSEMENT : Ce produit peut vous exposer à des produits chimiques, notamment les gaz d'échappement du moteur reconnus par l'État de Californie comme étant cancérigène, et le monoxyde de carbone, reconnu par de l'État de Californie comme provoquant des malformations congénitales ou d'autres problèmes de reproduction. Pour en savoir plus, consultez le site www.P65Warnings.ca.gov.



ADVERTENCIA: Este producto puede exponerlo a productos químicos, incluidos gases de escape del motor, indicados por el estado de California como causantes de cáncer, y monóxido de carbono, indicado por el estado de California como causante de defectos de nacimiento u otros daños reproductivos. Para obtener más información, visite: www.P65Warnings.ca.gov.

TABLE OF CONTENTS

Safety	4
Know Your Unit	11
Specifications	12
Assembly	12
Oil and Fuel	18
Starting and Stopping	20
Operation	22
Maintenance	25
Cleaning and Storage	28
Troubleshooting	29

All information, illustrations, and specifications in this manual are based on the latest product information available at the time of printing. We reserve the right to make changes at any time without notice.

The product may vary slightly from the illustrations contained in this manual.

NOTE: This operator's manual covers multiple models. Features may vary by model. Not all features in this manual are applicable to all models. The model depicted may differ from yours.

SAFETY

The purpose of safety symbols is to attract your attention to possible dangers. The safety symbols, and their explanations, deserve your careful attention and understanding. The safety warnings do not by themselves eliminate any danger. The instructions or warnings they give are not substitutes for proper accident prevention measures.

SYMBOL

MEANING



DANGER: Signals an EXTREME hazard.

Failure to obey a safety **DANGER** symbol **WILL** result in serious injury or death to yourself or to others.



WARNING: Signals a SERIOUS hazard.

Failure to obey a safety **WARNING** symbol **CAN** result in serious injury to yourself or to others.



CAUTION: Signals a MODERATE hazard.

Failure to obey a safety **CAUTION** symbol **MAY** result in property damage or injury to yourself or to others.

NOTE: Advises you of information or instructions vital to the operation or maintenance of the equipment.

SPARK ARRESTOR NOTE

NOTE: **For users on U.S. Forest Land and in the states of California, Maine, Oregon and Washington.** All U.S. Forest Land and the state of California (Public Resources Codes 4442 and 4443), Oregon and Washington require, by law that certain internal combustion engines operated on forest brush and/or grass-covered areas be equipped with a spark arrestor, maintained in effective working order, or the engine be constructed, equipped and maintained for the prevention of fire. Check with your state or local authorities for regulations pertaining to these requirements. Failure to follow these requirements could subject you to liability or a fine. **This unit is factory equipped with a spark arrestor.** If it requires replacement, contact your local service dealer to install the appropriate muffler assembly.

Read the operator's manual and follow all warnings and safety instructions. Failure to do so can result in serious injury to the operator and/or bystanders.

• IMPORTANT SAFETY INSTRUCTIONS •

READ ALL INSTRUCTIONS BEFORE OPERATING



WARNING: When using the unit, all safety instructions must be followed. Please read these instructions before operating the unit in order to ensure the safety of the operator and any bystanders. Please keep these instructions for later use.

- Read the instructions carefully. Be familiar with the controls and proper use of the unit. Know how to stop the unit and disengage the controls quickly.
- Stay alert. Do not operate this unit when tired, ill or under the influence of alcohol, drugs or medication.
- Never allow children to operate the unit. Teens must be trained, accompanied and supervised by an adult. Never allow adults to operate the unit without proper instruction.
- All guards and safety attachments must be installed properly before operating the unit.
- Inspect the unit before use. Check for damaged parts. Check for fuel leaks. Make sure all parts operate properly. Make sure all fasteners are in place and secure. Make sure all moving parts are properly aligned and are not bound. Replace parts that are cracked, chipped, or damaged in any way. Have all damaged or improperly working parts repaired or replaced by an authorized service center. Do not operate the unit with loose or damaged parts.
- Be aware of risk of injury to the head, hands and feet.
- Carefully inspect the area before starting the unit. Remove rocks, broken glass, nails, wire, string and other objects that may be thrown or become entangled with the unit.
- Clear the area of children, bystanders and pets; keep them outside a 50-foot (15 m) radius, at a minimum. Even then, they are still at risk from thrown objects. Encourage bystanders to wear eye protection. If you are approached, stop the unit immediately.
- Squeeze the throttle control and check that it returns automatically to the idle position. Make all adjustments or repairs before using the unit.
- Do not change the engine governor settings or overspeed the engine.
- This unit is intended for occasional, household use only.

SAFETY WARNINGS FOR GAS UNITS



WARNING: Gasoline is highly flammable and its vapors can explode if ignited. Take the following precautions:

- Store fuel only in containers specifically designed and approved for the storage of such materials.
- Always stop the engine and allow it to cool before filling the tank. Never remove the fuel tank cap or add fuel when the engine is hot. Always loosen the fuel tank cap slowly to relieve any pressure in the tank before fueling.
- Always mix and add fuel in a clean, well-ventilated outdoor area where there are no sparks or flames. DO NOT smoke.
- Never operate the unit without the fuel cap securely in place.
- Avoid creating a source of ignition for spilled fuel. Wipe up any spilled fuel from the unit immediately, before starting the unit. Move the unit at least 30 ft. (9.1 m) from the fueling source and site before starting the engine. DO NOT smoke.
- Never start or run the unit inside a closed room or building. Breathing exhaust fumes can kill. Operate this unit only in a well-ventilated outdoor area.

WHILE OPERATING

- Wear safety glasses or goggles that meet current ANSI / ISEA Z87.1 standards and are marked as such. Wear ear/hearing protection when operating this unit. Wear a face mask or dust mask if the operation is dusty.
- Wear heavy long pants, boots, gloves and a long sleeve shirt. Do not wear loose clothing, jewelry, short pants, sandals or go barefoot. Secure hair above shoulder level.
- Adjust the handle to provide the best grip, if applicable.
- Use the unit only in daylight or good artificial light.
- Avoid accidental starting. Be in the starting position whenever pulling the starter rope. The operator and unit must be in a stable position while starting. Refer to *Starting and Stopping*.
- Use the right tool. Only use this tool for its intended purpose. Only use the unit as described in this manual.
- Always hold the unit with both hands when operating. Keep a firm grip on both handles or grips.
- Do not overreach. Always keep proper footing and balance. Take extra care when working on stairs, steep slopes or inclines. To avoid serious injury, do not operate the unit while on a ladder or a roof.
- Keep hands, face, and feet away from all moving parts. Do not touch or try to stop moving parts.
- Do not touch the engine, gear housing or muffler. These parts get extremely hot from operation, even after the unit is turned off.
- Do not operate the unit faster than the speed needed to do the job. Do not run the unit at high speed when not in use.

- Do not force the unit. It will do a better, safer job when used at the intended rate.
- Always turn the unit off when operation is delayed or when carrying the unit from one location to another. Make sure all moving parts come to a complete stop.
- Before setting the unit down, always make sure the engine is off and all moving parts have stopped.
- If the unit strikes or becomes entangled with a foreign object, stop the unit immediately. Check for damage. If damaged, do not restart or operate the unit until it is repaired. Do not operate the unit with loose or damaged parts.
- Turn the engine off and disconnect the spark plug for maintenance or repair.
- Use only original equipment manufacturer (OEM) replacement parts and accessories for this unit. These are available from your authorized service dealer. Use of any other parts or accessories could lead to serious injury to the user, or damage to the unit, and void the warranty.
- Keep the unit clean. Carefully remove vegetation and other debris that could block moving parts.
- To reduce fire hazard, replace a faulty muffler and spark arrestor. Keep the engine and muffler free from grass, leaves, excessive grease or carbon build up.
- If the unit starts to vibrate abnormally, stop the unit immediately. Inspect the unit for the cause of the vibration. Vibration is generally an indicator of trouble.

TRIMMER SAFETY

- Only use the trimming line described in the *Specifications* section of this manual. Never use metal-reinforced line, wire, chain or rope. These can break off and become dangerous projectiles.
- Do not replace the cutting head with rigid or metal blades. Doing so could result in serious injury.
- The cutting head shield must always be in place while operating the unit.
- Do not operate the unit without both trimming lines extended and the proper line installed. Do not extend the trimming line beyond the length of the shield.
- The cutting head will spin during idle speed adjustments. Wear protective clothing and observe all safety instructions to prevent serious personal injury.
- Make sure the cutting head is not in contact with anything before starting the unit.










OTHER SAFETY WARNINGS

- Maintain the unit with care. Follow all maintenance instructions in this manual.
- Do not perform maintenance procedures other than those described in this manual. All service, other than the maintenance procedures described in this manual, should be performed by an authorized service dealer.
- Never remove, modify or make inoperative any safety device furnished with the unit.
- Before inspecting, maintaining, cleaning, storing, transporting or replacing any parts on the unit:
 1. Stop the unit. Refer to *Starting and Stopping*.
 2. Make sure all moving parts have stopped.
 3. Allow the unit to cool.
 4. Disconnect the spark plug wire.
- Secure the unit while transporting.
- Never store the unit with fuel in the tank, inside a building where fumes may reach an open flame (pilot lights, etc.) or sparks (switches, electrical motors, etc.).
- Store the unit in a dry place, secured or at a height to prevent unauthorized use or damage. Keep the unit out of the reach of children.
- Never douse or squirt the unit with water or any other liquid. Keep handles dry and clean (free from debris, oil and grease). Clean the unit after each use. Refer to *Cleaning and Storage*. Do not use solvents or strong detergents.
- Keep these instructions. Refer to them often and use them to instruct other users. If you loan this unit to others, also loan them these instructions.

SAVE THESE INSTRUCTIONS











SAFETY & INTERNATIONAL SYMBOLS

This operator's manual describes safety and international symbols and pictographs that may appear on this product. Read the operator's manual for complete safety, assembly, operating and maintenance and repair information.

SYMBOL	MEANING
	<p>SAFETY ALERT SYMBOL</p> <p>Indicates danger, warning or caution. May be used in conjunction with other symbols or pictographs.</p>
	<p>READ OPERATOR'S MANUAL</p> <p>WARNING: Read the operator's manual(s) and follow all warnings and safety instructions. Failure to do so can result in serious injury to the operator and/or bystanders.</p>
	<p>WEAR EYE AND HEARING PROTECTION</p> <p>WARNING: Thrown objects and loud noise can cause severe eye injury and hearing loss. Wear eye protection meeting current ANSI / ISEA Z87.1 standards and ear protection when operating this unit. Use a full face shield when needed.</p>
	<p>WEAR FOOT PROTECTION</p> <p>Always wear heavy-duty, non-slip footwear when operating this unit.</p>
	<p>WEAR HAND PROTECTION</p> <p>Always wear heavy-duty, non-slip gloves when handling this unit.</p>
	<p>HANDLE POSITION</p> <p>Make sure the handle is positioned beyond the end of the safety label.</p>
	<p>UNLEADED FUEL</p> <p>Always use clean, fresh unleaded fuel.</p>
	<p>OIL</p> <p>Refer to operator's manual for the proper type of oil.</p>
	<p>DO NOT USE E85 FUEL IN THIS UNIT</p> <p>CAUTION: It has been proven that fuel containing greater than 10% ethanol will likely damage this engine and void the warranty.</p>

SYMBOL

MEANING

	<p>ON / OFF STOP CONTROL</p> <p>ON / START / RUN</p>
	<p>ON / OFF STOP CONTROL</p> <p>OFF or STOP</p>
	<p>PRIMER BULB</p> <p>Push the primer bulb, fully and slowly, 10 times.</p>
	<p>CHOKE CONTROL</p> <p>1. FULL choke position 2. PARTIAL choke position 3. RUN choke position</p>
	<p>THROWN OBJECTS CAN CAUSE SEVERE INJURY</p> <p>WARNING: Small objects can be propelled at high speed, causing injury.</p>
 Min. 50 ft 15 m	<p>KEEP BYSTANDERS AWAY</p> <p>WARNING: Keep all bystanders, especially children and pets, at least 50 feet (15 m) from the operating area.</p>
	<p>HOT SURFACE</p> <p>WARNING: Do not touch a hot muffler or cylinder. You may get burned. These parts get extremely hot from operation. When turned off, they remain hot for a short time.</p>
	<p>SHARP BLADE</p> <p>WARNING: There is a sharp blade on the cutting head shield. To prevent serious injury, do not touch the line cutting blade.</p>
	<p>DO NOT REPLACE CUTTING HEADS WITH BLADES*</p> <p>WARNING: When using a trimmer, to prevent serious injury, do not replace the cutting head with rigid or metal blades.</p> <p><i>*This warning does not apply to units equipped with blades, such as edgers and brush cutters.</i></p>
	<p>TIGHTEN SCREWS</p> <p>WARNING: To prevent serious injury and damage to the unit, tighten the screws securely.</p>

KNOW YOUR UNIT

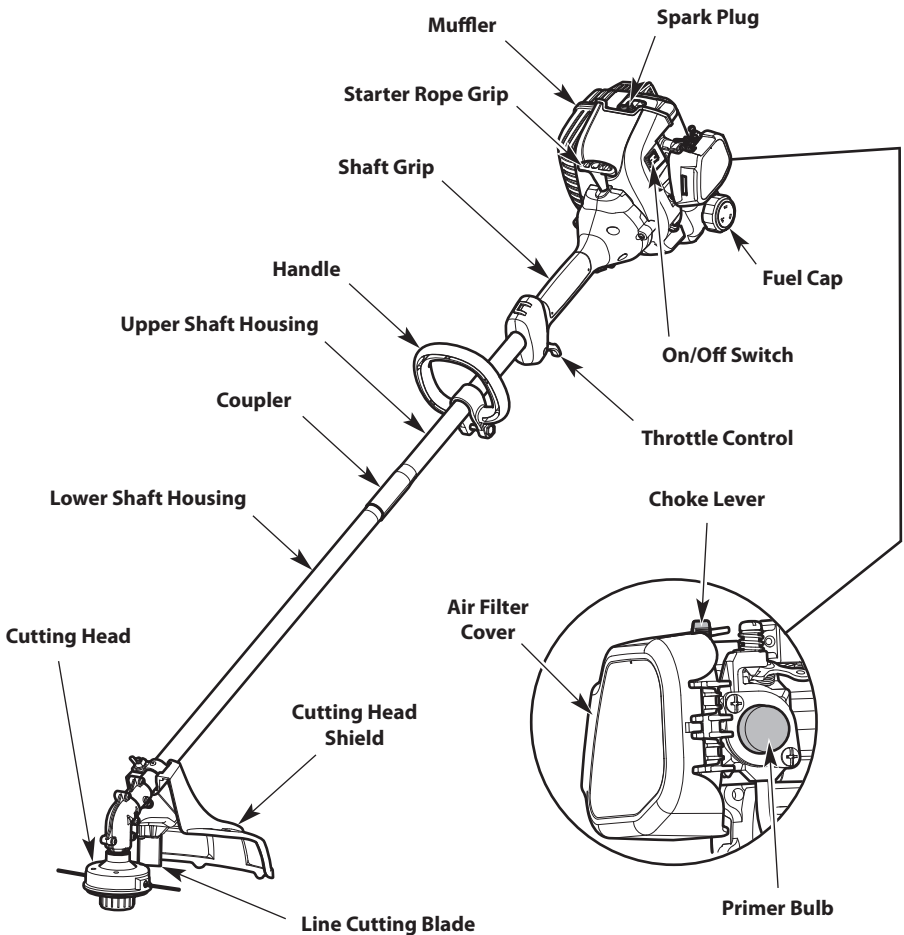
NOTE: The model depicted may differ from yours.

APPLICATIONS

- Cutting grass and light weeds.
- Edging
- Decorative trimming around trees, fences, etc.

ASSEMBLY TOOLS REQUIRED

- #2 Phillips screwdriver



SPECIFICATIONS*

Engine Type	Air-Cooled, 2-Cycle
Displacement	25 cc (1.52 cu. in.)
Spark Plug Gap	0.025 in. (0.635 mm)
Spark Plug (USA)	Champion® RDJ7J or Equivalent Plug
Spark Plug (Canada).....	Champion® QDJ7J or Equivalent Plug
Lubrication	Fuel/Oil Mixture
Fuel/Oil Ratio	40:1
Fuel Tank Capacity	8.5 fl. oz. (251 ml)
Approximate Unit Weight (No Fuel) (Varies by Model)	9.5 - 11.5 lbs. (4.3 - 5.2 kg)
Trimmer Mechanism (Varies by Model)	Bump Head or Fixed-Line Cutting Head
Trimming Line Diameter (Bump Head)	0.095 in. (2.41 mm)
Trimming Line (Fixed-Line Cutting Head)	0.095 in. (2.41 mm) or 0.105 in. (2.67 mm) Pre-Cut Line
Cutting Path Diameter (Bump Head)	16 in. (40.6 cm)
Cutting Path Diameter (Fixed-Line Cutting Head)	14 in. (35.6 cm)

Canada: This spark ignition system complies with Canadian ICES-002.

* All specifications are based on the latest product information available at the time of printing. We reserve the right to make changes at any time without notice.

ASSEMBLY

INSTALLING THE CUTTING HEAD SHIELD

(For curved-shaft units)



WARNING: To prevent serious personal injury, never operate the unit without the cutting head shield in place.

1. Remove the wing nut and washer from the cutting head shield.
2. Insert the short tab (the one without a hole) on the mount bracket into the slot on the cutting head shield (Fig. 1).
3. Rotate the cutting head shield counterclockwise to align the hole on the cutting head shield with the hole on the mount bracket (Fig. 1).
4. Insert the square bolt into the hole underneath the cutting head shield (Fig. 2). Push the square bolt through the cutting head shield and mount bracket.
5. Place the washer onto the square bolt (Fig. 2).
6. Screw the wing nut onto the square bolt until the cutting head shield is firmly in place (Fig. 2).

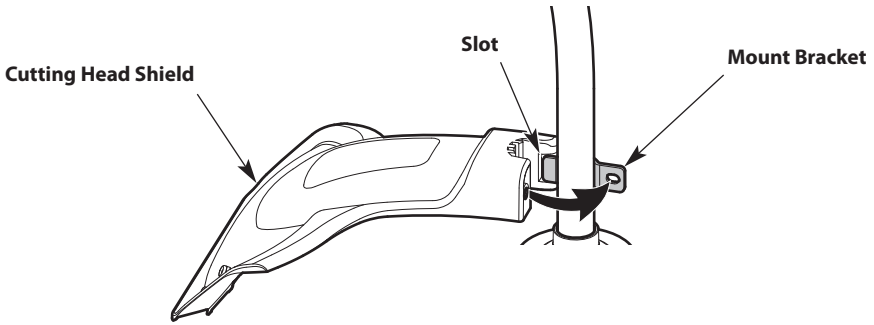


Fig. 1

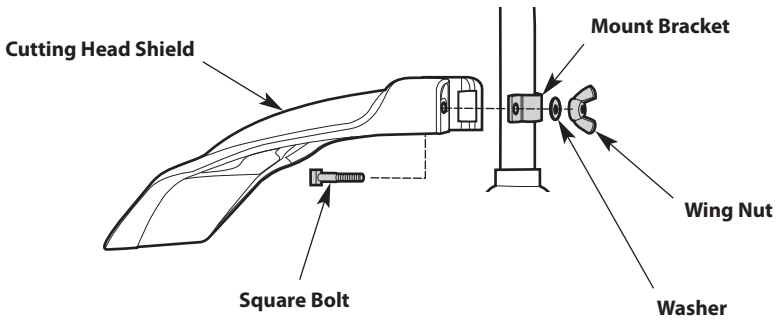


Fig. 2

INSTALLING THE CUTTING HEAD SHIELD

(For straight-shaft units)



WARNING: To prevent serious personal injury, never operate the unit without the cutting head shield in place.

1. Remove the wing nut and washer from the cutting head shield.
2. Insert the short tab (the one without a hole) on the mount bracket into the slot on the cutting head shield (Fig. 3).
3. Rotate the cutting head shield until the bolt on the cutting head shield protrudes through the hole on the mount bracket (Fig. 3).
4. Place the washer onto the bolt (Fig. 4).
5. Screw the wing nut onto the bolt until the cutting head shield is firmly in place (Fig. 4).

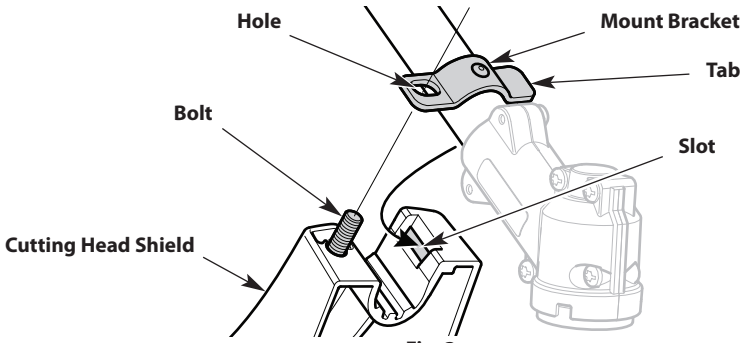


Fig. 3

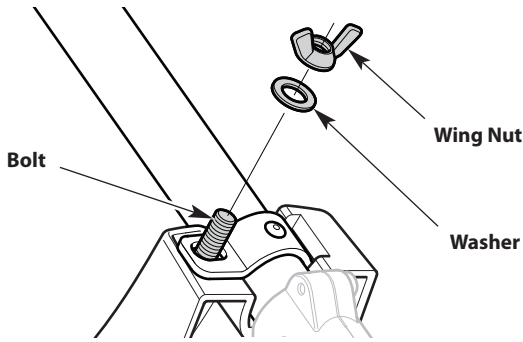


Fig. 4

CONNECTING THE UPPER AND LOWER SHAFTS

1. Set the unit on a flat, level surface.
 2. Turn the upper portion of the unit upside down. The holes on the coupler should face up (Fig. 5).
 3. Turn the lower portion of the unit upside down. The holes on the lower shaft housing should face up (Fig. 5).
 4. Push the lower shaft housing into the coupler (Fig. 5). The holes on the lower shaft housing should align with the holes on the coupler (Fig. 6).
- IF...** the lower shaft housing does not enter the coupler completely and the holes do not align, remove the lower shaft housing, rotate the cutting head slightly (1/8th turn) and repeat step 4 (Fig. 7).
5. Insert the screws (x2) into the aligned holes (Fig. 6).
 6. Tighten the screws securely with a #2 Phillips screwdriver.



WARNING: To prevent serious personal injury or damage to the unit, always make sure that the screws are securely tightened before each use.

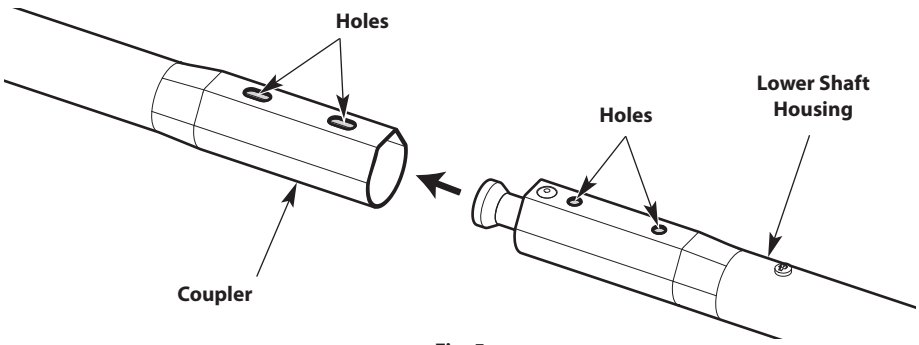


Fig. 5

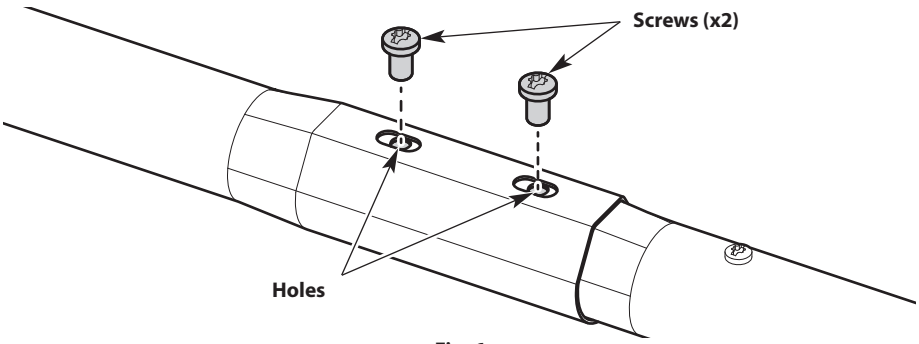


Fig. 6

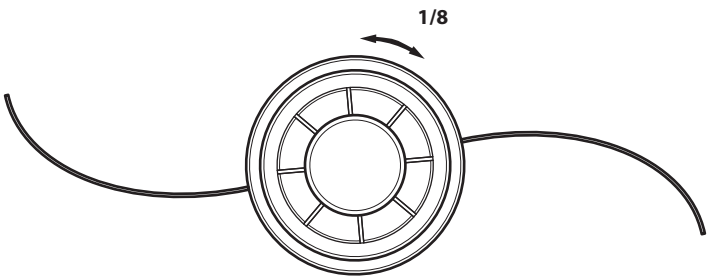


Fig. 7

HANDLE ASSEMBLY

Follow the instructions that apply to the handle included with your unit. Refer to *Installing and Adjusting the Handle*.

INSTALLING AND ADJUSTING THE HANDLE

(Handle Type A)

Installing the Handle

1. Push the handle down onto the upper shaft housing (Fig. 8). Make sure the hex bolt hole faces to the left (Fig. 8).
2. Insert the bolt into the hex bolt hole and push it through (Fig. 9). Place the washer onto the bolt (Fig. 9). Screw the wing nut onto the bolt, but do not tighten the wing nut completely (Fig. 9).
3. Hold the unit in the operating position (Fig. 15). Move the handle up or down the upper shaft housing to a comfortable location (Fig. 9). Make sure the handle is positioned beyond the end of the safety label (Fig. 9).
4. Tighten the wing nut until the handle is secure.

Adjusting the Handle

If the handle requires adjustment:

1. Loosen the wing nut (Fig. 9).
2. Hold the unit in the operating position (Fig. 15). Move the handle up or down the upper shaft housing to a comfortable location (Fig. 9). Make sure the handle is positioned beyond the end of the safety label (Fig. 9).
3. Tighten the wing nut until the handle is secure.

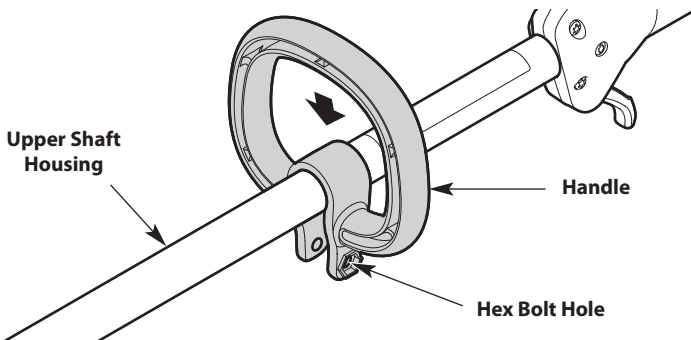


Fig. 8

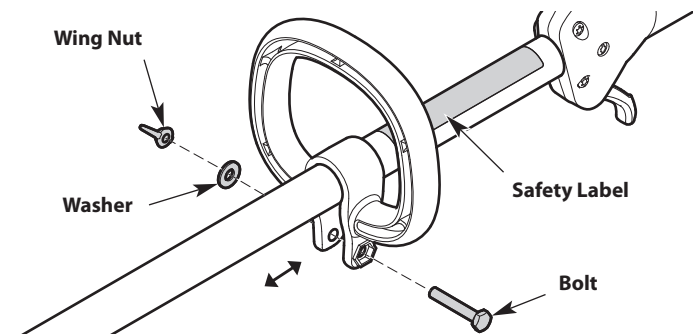


Fig. 9

INSTALLING AND ADJUSTING THE HANDLE

(Handle Type B)

Installing the Handle

1. Push the handle down onto the upper shaft housing (Fig. 10). Make sure the bolt hole faces to the right (Fig. 10).
2. Insert the bolt into the bolt hole and push it through (Fig. 10). Tighten the bolt with a flat-head screwdriver, but do not tighten the bolt completely.
3. Hold the unit in the operating position (Fig. 15). Move the handle up or down the upper shaft housing to a comfortable location (Fig. 10). Make sure the handle is positioned beyond the end of the safety label (Fig. 10).
4. Tighten the bolt with a flat-head screwdriver until the handle is secure.

Adjusting the Handle

If the handle requires adjustment:

1. Loosen the bolt with a flat-head screwdriver (Fig. 10).
2. Hold the unit in the operating position (Fig. 15). Move the handle up or down the upper shaft housing to a comfortable location (Fig. 10). Make sure the handle is positioned beyond the end of the safety label (Fig. 10).
3. Tighten the bolt with a flat-head screwdriver until the handle is secure.

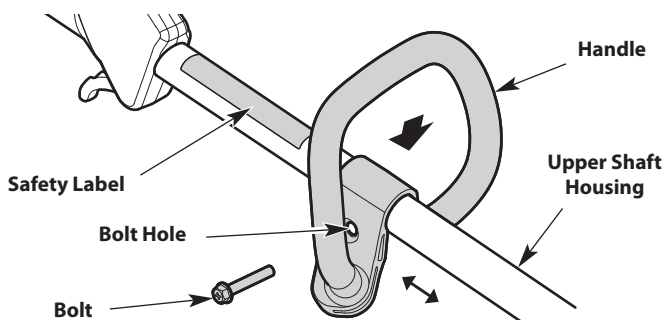


Fig. 10

OIL AND FUEL MIXING INSTRUCTIONS

The use of old and/or improperly mixed fuel is the most common cause of performance problems. Use only fresh, clean unleaded gasoline. Follow the instructions carefully for the proper gasoline/oil mixture.

Definition of Blended Fuels

Today's fuels are often a blend of gasoline and oxygenates such as ethanol, methanol or MTBE (ether). Alcohol-blended fuel absorbs water. As little as 1% water in the fuel can make fuel and oil separate, forming acids when stored. ALWAYS use fresh fuel (less than 30 days old).

NOTE: Dispose of old fuel according to federal, state and local regulations.

Using Blended Fuels

If using a blended fuel:

- Always use the fresh fuel mix explained in this operator's manual
- Use a fuel additive
- Always agitate the fuel mix before fueling the unit



CAUTION: DO NOT USE E85 FUEL IN THIS UNIT.

It has been proven that fuel containing greater than 10% ethanol will likely damage this engine and void the warranty.

Using Fuel Additives

The container of 2-cycle oil provided with this unit includes a fuel additive to help inhibit corrosion and minimize gum deposits. Always use the brand of 2-cycle oil that came with this unit. If this is unavailable, use a 2-cycle oil designed for air-cooled engines and mix it with a fuel additive. Add 0.8 oz. (23 ml) of fuel additive per gallon of fuel, according to the instructions on the container. NEVER add fuel additives directly to the unit's fuel tank.



Mixing the Fuel

NOTE: This unit comes with a 3.2 oz. (95 ml) container of 2-cycle oil. To obtain the correct fuel mixture described below, pour the entire container into one gallon of unleaded gasoline.



CAUTION: For proper engine operation and maximum reliability, pay strict attention to the gasoline and oil mixing instructions on the 2-cycle oil container. Using improperly mixed fuel can severely damage the engine.

Thoroughly mix the proper ratio of unleaded gasoline with 2-cycle engine oil. Do not mix them directly in the unit's fuel tank. Use a separate fuel can. Use a 40:1 gasoline/oil ratio. See the table below for specific gasoline and oil mixing ratios.

	
Unleaded gasoline	2-cycle oil
1 gallon U.S. (3.8 liters)	3.2 fl. oz. (95 ml)
1 liter	25 ml

MIXING RATIO - 40:1

FUELING THE UNIT



WARNING: Gasoline is extremely flammable. Ignited vapors may explode. Always stop the engine and allow it to cool before filling the fuel tank. Do not smoke while filling the tank. Keep sparks and open flames at a distance from the area.



WARNING: Remove the fuel cap slowly to avoid injury from fuel spray. Never operate the unit without the fuel cap securely in place.



WARNING: Add fuel in a clean, well-ventilated outdoor area. Wipe up any spilled fuel immediately. Avoid creating a source of ignition for spilled fuel. Do not start the engine until fuel vapors dissipate.

1. Position the unit with the fuel cap facing up.
2. Slowly remove the fuel cap.
3. Place the fuel container spout into the fuel tank fill hole and fill the tank.

NOTE: DO NOT overfill the tank.

4. Wipe up any fuel that may have spilled.
5. Reinstall the fuel cap.
6. Move the unit at least 30 ft. (9.1 m) from the fuel container and the fueling site before starting the engine.

STARTING AND STOPPING



WARNING: Operate this unit only in a well-ventilated outdoor area. Carbon monoxide exhaust fumes can be lethal in a confined area.



WARNING: Avoid accidentally starting the unit. To avoid serious injury, the operator and the unit must be in a stable position when pulling the starter rope (Fig. 14).



WARNING: The cutting head will spin during the starting procedure. Wear protective clothing and observe all safety instructions to prevent serious personal injury.

STARTING INSTRUCTIONS

NOTE: There is no need to turn the unit on. The On/Off switch is in the **On (I)** position at all times (Fig. 11).

Before Starting the Unit

1. Mix gasoline with oil. Refer to *Oil and Fuel Mixing Instructions*.
2. Fill the fuel tank. Refer to *Fueling the Unit*.

Starting the Unit

1. Slowly press and release the primer bulb **10 times** (Fig. 13). If fuel cannot be seen in the primer bulb, press and release the primer bulb until fuel is visible.
2. Move the choke lever to **Position 1** (Fig. 13).
3. Crouch in the starting position (Fig. 14).
4. Squeeze and hold the throttle control (Fig. 12).

NOTE: Continue to **SQUEEZE and HOLD the throttle control for ALL further steps.**

5. Pull the starter rope with a controlled and steady motion **5 times** (Fig. 14).
6. Move the choke lever to **Position 2** (Fig. 13).
7. Pull the starter rope with a controlled and steady motion **3 to 5 times** to start the engine.
8. Allow the engine to warm up for 30 to 60 seconds.
9. Move the choke lever to **Position 3** (Fig. 13). Allow the engine to warm up for an additional 60 seconds. The unit may be used during this time.

NOTE: The engine is properly warmed up when it accelerates without hesitation.

IF... the engine hesitates, return the choke lever to **Position 2** and continue the warm-up.

IF... the engine does not start, repeat the starting procedure.

IF... the engine fails to start after a few attempts: Move the choke lever to **Position 3**. Squeeze and hold the throttle control. Pull the starter rope with a controlled and steady motion until the unit starts.

IF... the engine is already warm, begin the starting procedure with step 6.

STOPPING INSTRUCTIONS

1. Release the throttle control and allow the engine to idle.
2. Press and hold the On/Off switch in the **Off (O)** position until the engine comes to a complete stop (Fig. 11).

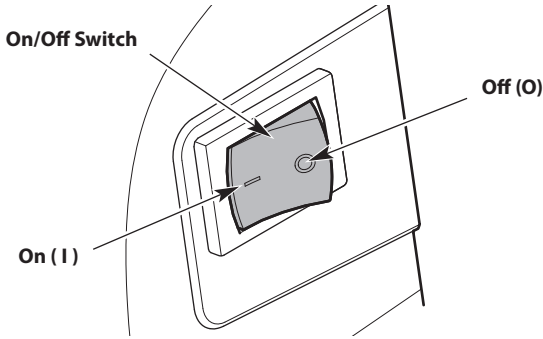


Fig. 11

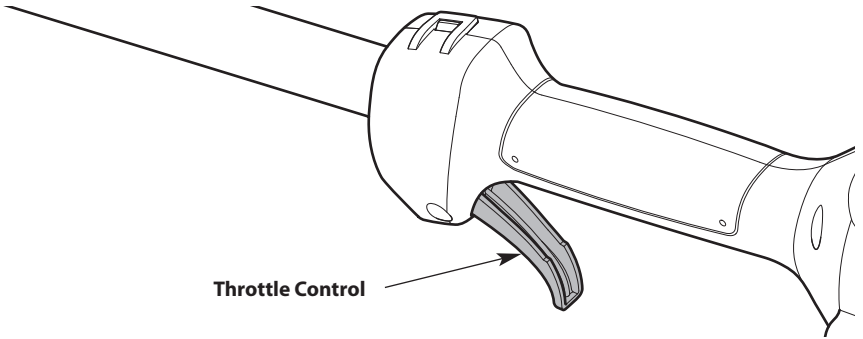


Fig. 12

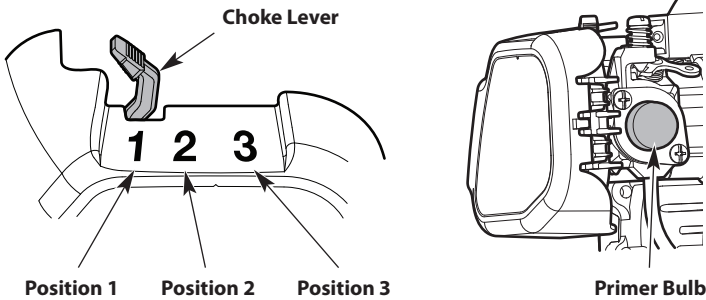


Fig. 13

Starter Rope Grip

Starting
Position

Throttle Control



Fig. 14

OPERATION

HOLDING THE UNIT



WARNING: Always wear eye, hearing, hand, foot and body protection to reduce the risk of injury when operating this unit.



WARNING: To prevent serious personal injury, avoid arm contact with the engine while operating the unit. The engine may be extremely hot.

- Stand in the operating position (Fig. 15). Stand up straight. Do not bend over.
- Keep feet apart and firmly planted.
- Hold the shaft grip with the right hand. Keep the right arm slightly bent.
- Hold the handle with the left hand. Keep the left arm straight.
- Hold the unit at waist level.
- Position the cutting head a few inches above the ground.



Fig. 15

ADJUSTING THE TRIMMING LINE LENGTH

(For units with bump heads)

If the unit is equipped with a bump head, trimming line can be released from the cutting head without stopping the engine. Before doing so, make sure the cutting head is loaded with line. Refer to the *Line Replacement Addendum*.


To release more line, lightly tap the bump knob on the ground (Fig. 16) while operating the unit at high speed. For best results, tap the bump knob on bare ground or hard soil. Attempting to release line in tall grass may stall the engine.

NOTE: Do not rest the cutting head on the ground while the unit is running.

Each time the bump knob is tapped, about 1 inch (25.4 mm) of trimming line is released.

NOTE: Always keep the trimming line fully extended. Line release becomes more difficult when the cutting line gets shorter.

A blade in the cutting head shield will cut the line to the proper length if any excess line is released.

	<p>WARNING: Do not remove or alter the line cutting blade assembly. Excessive line length will make the unit overheat. This may lead to serious personal injury or damage to the unit.</p>
--	---

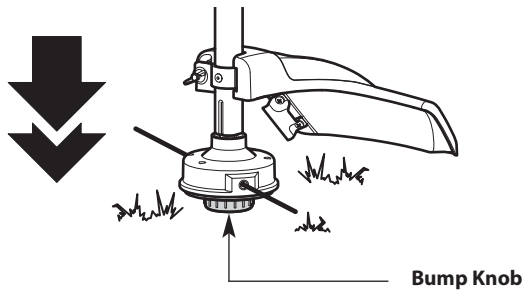


Fig. 16

TIPS FOR BEST RESULTS

- For most operations, cut from side to side.
- The direction that clippings are thrown depends upon the rotation of the cutting head. To direct clippings away from the operator:
 - **Clockwise rotation:** Tilt the cutting head slightly down to the left; cut from right to left whenever possible.
 - **Counterclockwise rotation:** Tilt the cutting head slightly down to the right; cut from left to right whenever possible.
- Cut tall grass (over 8 inches (20cm)) from the top down by lowering the cutting head onto the grass.
- Cut with the tip of the trimming line.
- Cut in small increments. Move slowly. Do not force the unit.

- Do not trim wet grass or weeds.

NOTE: Some line breakage will occur from:

- Entanglement with foreign matter
- Normal line fatigue
- Attempting to cut thick vegetation
- Forcing the line into objects such as walls or fence posts

DECORATIVE TRIMMING

When trimming around trees, posts, fences, etc., rotate the whole unit so that the cutting head is at a 30° angle to the ground (Fig. 17).

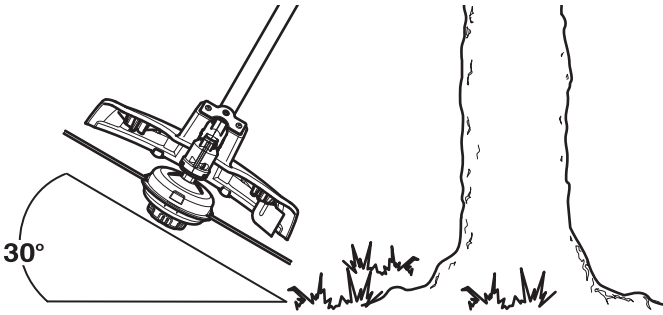


Fig. 17

MAINTENANCE



WARNING: To avoid serious personal injury, always stop the engine and allow it to cool before cleaning or maintaining the unit. Never perform cleaning or maintenance while the unit is running. Disconnect the spark plug wire to prevent the unit from starting accidentally.



WARNING: Wear protective clothing and observe all safety instructions to prevent serious personal injury.

MAINTENANCE SCHEDULE

Perform these required maintenance procedures at the frequency stated in the table. These procedures should also be a part of any seasonal tune-up.

NOTE: Some maintenance procedures may require special tools or skills. If you are unsure about these procedures, take the unit to an authorized service dealer. Refer to the *Service / Warranty Supplement* for more information.

NOTE: Maintenance, replacement, or repair of the emission control devices and system may be performed by an authorized service dealer. Refer to the *Service / Warranty Supplement* for more information.

NOTE: Please read the California/EPA statement that came with the unit for a complete listing of terms and coverage for the emissions control devices, such as the spark arrestor, muffler, carburetor, etc.

FREQUENCY	MAINTENANCE REQUIRED
Every 10 hours	<ul style="list-style-type: none">Clean and re-oil the air filter. Refer to <i>Maintaining the Air Filter</i>.
Every 25 hours	<ul style="list-style-type: none">Check the spark plug condition and gap. Refer to <i>Maintaining the Spark Plug</i>.

REPLACING THE TRIMMING LINE

Refer to the *Line Replacement Addendum* for complete instructions.

MAINTAINING THE AIR FILTER

Failure to maintain the air filter can result in poor performance or can cause permanent damage to the engine. Engine failure due to improper air filter maintenance is not covered by the product warranty.

Cleaning the Air Filter

1. Open the air filter cover: Hook your fingers behind the cover tab. To unlock the air filter cover, pull it to the left and away from the engine. This may require a firm pull. Swing the air filter cover to the right (Fig. 18).
2. Remove the air filter from inside the air filter cover (Fig. 18).

3. Wash the air filter in detergent and water. Rinse the air filter thoroughly and allow it to dry.
4. Lightly coat the air filter with clean SAE 30 oil.
5. Squeeze the air filter to spread and remove excess oil.
6. Reinstall the air filter inside the air filter cover (Fig. 18).

NOTE: Operating the unit without the air filter and air filter cover will VOID the warranty.

7. Close the air filter cover: swing the air filter cover to the left and press it closed until the lock tab snaps into place (Fig. 18).

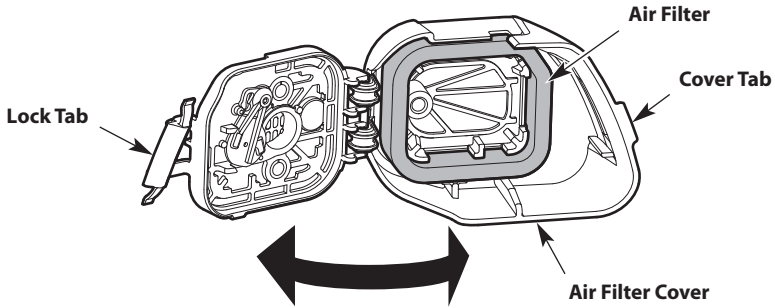


Fig. 18

ADJUSTING THE IDLE SPEED



WARNING: The cutting head will spin during idle speed adjustments. Wear protective clothing and observe all safety instructions to prevent serious personal injury.

If the engine will not idle properly:

1. Start the engine. Refer to *Starting and Stopping*.
2. Release the throttle control and let the engine idle.
 - If the engine stops, increase the idle speed. Use a small Phillips screwdriver to turn the idle speed screw clockwise, 1/8 of a turn at a time, until the engine idles smoothly (Fig. 19).

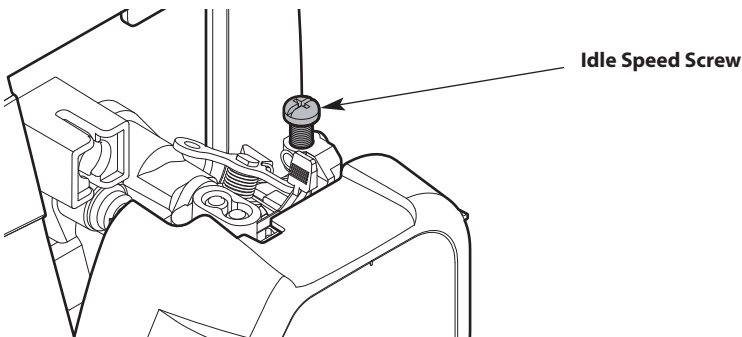


Fig. 19

MAINTAINING THE SPARK PLUG



WARNING: Do not sand blast, scrape or clean spark plug electrodes. Grit in the engine could damage the cylinder.

1. Stop the engine and allow it to cool. Grasp the spark plug boot firmly and pull it from the spark plug.
2. Clean around the spark plug. Remove the spark plug from the cylinder head with a 5/8-inch socket, turning counterclockwise.
3. Inspect the spark plug. If the spark plug is cracked, fouled or dirty, replace it with:
 - **USA:** replacement part #753-06847, a **Champion RDJ7J** or an equivalent spark plug.
 - **Canada:** replacement part #794-00097, a **Champion QDJ7J** or an equivalent spark plug.
4. Use a feeler gauge to set the air gap at **0.025 in. (0.635 mm)** (Fig. 20).
5. Install the spark plug in the cylinder head. Tighten the spark plug with a 5/8-inch socket, turning it clockwise until snug.

NOTE: If using a torque wrench, torque to:

110-120 in.-lb. (12.3-13.5 N·m). Do not over tighten.

6. Reattach the spark plug boot.

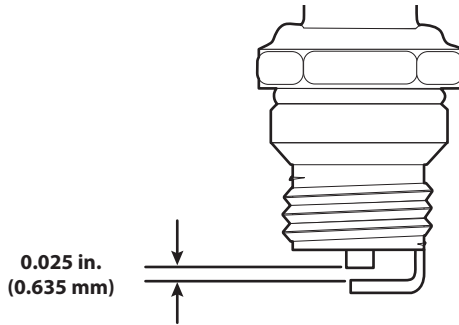


Fig. 20

CLEANING AND STORAGE

CLEANING



WARNING: To avoid serious personal injury, always stop the engine and allow it to cool before cleaning or maintaining the unit.

Use a small brush to clean the outside of the unit. Do not use strong detergents. Household cleaners that contain aromatic oils such as pine and lemon, and solvents such as kerosene, can damage plastic. Wipe off any moisture with a soft cloth.

STORAGE

- Never store a fueled unit where fumes may reach an open flame or spark.
- Allow the engine to cool before storing.
- Lock up the unit to prevent unauthorized use or damage.
- Store the unit in a dry, well-ventilated area.
- Store the unit out of the reach of children.

Short-term Storage (1-2 weeks)

1. Store the unit in a horizontal position. If this is not possible, store the unit vertically with the engine at the top.

Long-term Storage

1. Remove the fuel cap, tip the unit and drain the fuel into an approved container. Reinstall the fuel cap.
2. Start the engine and allow it to run until it stalls. This ensures that all fuel has been drained from the carburetor.
3. Allow the engine to cool. Remove the spark plug and put 5 drops of any high-quality motor oil or 2-cycle oil into the cylinder. Pull the starter rope slowly to distribute the oil. Reinstall the spark plug.
4. Thoroughly clean the unit and inspect it for any loose or damaged parts. Repair or replace damaged parts and tighten loose screws, nuts or bolts.

Preparing the Unit for Use after Long-term Storage

1. Remove the spark plug. Tip the unit and drain all of the oil from the cylinder into an approved container. Reinstall the spark plug.

NOTE: Do not use fuel that has been stored for more than 30 days. Dispose of old fuel and oil according to federal, state and local regulations.

TROUBLESHOOTING

PROBLEM	SOLUTION
THE ENGINE WILL NOT START	
The fuel tank is empty	Fill the fuel tank with properly-mixed fuel
The primer bulb was not pressed enough	Press the primer bulb 10 times or until fuel is visible
The engine is flooded	Move the choke lever to Position 3, squeeze the throttle control and pull the starter rope until the engine starts
The fuel is old (over 30 days) and/or improperly mixed	Drain the fuel tank and add fresh, properly-mixed fuel
The spark plug is fouled	Replace the spark plug

THE ENGINE WILL NOT IDLE	
The air filter is dirty	Clean or replace the air filter
The fuel is old (over 30 days) and/or improperly mixed	Drain the fuel tank and add fresh, properly-mixed fuel
The idle speed is incorrect	Adjust the idle speed

THE ENGINE WILL NOT ACCELERATE	
The fuel is old (over 30 days) and/or improperly mixed	Drain the fuel tank and add fresh, properly-mixed fuel
The cutting head is bound with grass	Stop the engine and clean the cutting head
The air filter is dirty	Clean or replace the air filter

THE ENGINE LACKS POWER OR STALLS	
The fuel is old (over 30 days) and/or improperly mixed	Drain the fuel tank and add fresh, properly-mixed fuel
The air filter is dirty	Clean or replace the air filter
The spark plug is fouled	Replace the spark plug

PROBLEM	SOLUTION
---------	----------

THE CUTTING HEAD WILL NOT ADVANCE LINE (FOR BUMP HEADS ONLY)	
The cutting head is bound with grass	Stop the engine and clean the cutting head
The cutting head is out of line	Refill the cutting head with new line
The inner reel is bound up	Rewind the line
The cutting head is dirty	Clean the inner reel and outer spool
The line is welded	Open the cutting head and remove the welded section
The line is twisted	Rewind the line
Not enough line is extended	Stop the unit, push the bump knob and pull the line until 4 inches (102 mm) is outside of the cutting head

THE CUTTING LINE ADVANCES UNCONTROLLABLY (FOR BUMP HEADS ONLY)	
There is oil, cleaner or lubricant in the cutting head	Clean and thoroughly dry the cutting head

If further assistance is required, contact an authorized service center.

TABLE DES MATIÈRES

Sécurité	32
Apprenez à connaître votre appareil.	40
Caractéristiques	41
Assemblage	41
Huile et carburant	47
Mise en marche et arrêt	49
Utilisation	51
Entretien	54
Nettoyage et entreposage	57
Dépannage.....	58

Toutes les informations, illustrations et spécifications contenues dans ce manuel tiennent compte des dernières informations techniques disponibles au moment de mettre sous presse. Nous nous réservons le droit d'y apporter des modifications à tout moment, sans préavis.

Le produit peut varier légèrement par rapport aux illustrations du présent manuel.

REMARQUE : Ce manuel de l'opérateur couvre plusieurs modèles. Les fonctionnalités peuvent varier selon le modèle. Les fonctionnalités figurant dans ce manuel ne sont pas toutes applicables à tous les modèles. Le modèle présenté peut différer du vôtre.

SÉCURITÉ

Les symboles de sécurité visent à attirer votre attention sur les dangers éventuels. Vous devez accorder une attention particulière aux symboles de sécurité afin de bien les comprendre. Les avertissements de sécurité n'éliminent pas les dangers en eux-mêmes. Les instructions ou mises en garde ne remplacent en rien les mesures de prévention appropriées contre les accidents.

SYMBOLE	SIGNIFICATION
---------	---------------



DANGER : indique un danger EXTRÊME.

Le non-respect d'un symbole de **DANGER** sur le plan de la sécurité **ENTRAÎNERA** des blessures graves, voire la mort pour vous ou pour autrui.



AVERTISSEMENT : indique un danger GRAVE.

Le non-respect d'un symbole d'**AVERTISSEMENT** sur le plan de la sécurité **PEUT** entraîner des blessures graves pour vous ou pour autrui.



ATTENTION : indique un danger MODÉRÉ.

Le non-respect d'un symbole de **ATTENTION** sur le plan de la sécurité **PEUT** entraîner des dommages matériels ou des blessures pour vous ou pour autrui.

REMARQUE : vous donne des informations ou des consignes essentielles pour l'utilisation ou l'entretien de l'équipement.

NOTE SUR LE PARE-ÉTINCELLES

REMARQUE : à l'intention des utilisateurs sur les terrains forestiers américains et dans les États de Californie, du Maine, de l'Oregon et de Washington. Tous les services des forêts américains et les États de Californie (codes des ressources publiques 4442 et 4443), de l'Oregon et de Washington exigent, au titre de la loi, que certains moteurs à combustion interne utilisés dans les broussailles de forêt et/ou les zones recouvertes d'herbe soient équipés d'un pare-étincelles, soient maintenus en bon état de marche, ou soient construits, équipés et entretenus en vue d'éviter tout risque d'incendie. Veuillez contacter les autorités nationales ou locales pour connaître les réglementations à cet égard. Le non-respect de ces exigences pourrait impliquer votre responsabilité ou entraîner une amende. **Cet appareil est équipé en usine d'un pare-étincelles.** Si un remplacement est nécessaire, communiquez avec votre distributeur local pour l'installation du silencieux approprié.

Veillez lire le manuel de l'opérateur et respecter tous les avertissements et consignes de sécurité. Dans le cas contraire, l'opérateur et/ou les passants peuvent subir des blessures graves.

• CONSIGNES DE SÉCURITÉ IMPORTANTES •

VEUILLEZ LIRE TOUTES LES INSTRUCTIONS AVANT



AVERTISSEMENT : Lorsque vous utilisez l'appareil, toutes les consignes de sécurité doivent être respectées. Veuillez lire ces consignes avant d'utiliser l'appareil pour assurer la sécurité de l'opérateur et de tous les passants. Veuillez conserver ces instructions pour référence ultérieure.

- Veuillez lire soigneusement ces instructions. Familiarisez-vous avec les commandes et l'utilisation correcte de l'appareil. Sachez comment arrêter l'appareil et désengager rapidement les commandes.
- Demeurer attentif. Ne faites pas fonctionner cet appareil lorsque vous êtes fatigué, malade ou sous l'influence d'alcool, de drogues ou de médicaments.
- Ne laissez jamais les enfants utiliser l'appareil. Les adolescents doivent être formés, accompagnés et guidés par un adulte. Ne permettez jamais aux adultes d'utiliser l'appareil sans avoir lu les instructions appropriées.
- Tous les carters et dispositifs de sécurité doivent être correctement installés avant l'utilisation de cet appareil.
- Inspectez l'appareil avant l'utilisation. Vérifier si des pièces sont endommagées. Détectez les fuites de carburant éventuelles. S'assurer que toutes les pièces fonctionnent correctement. Assurez-vous que toutes les fixations sont en place et bien serrées. S'assurer que toutes les pièces mobiles sont correctement alignées et ne sont pas liées. Remplacez les pièces fissurées, ébréchées ou endommagées d'une manière ou d'une autre. Faire réparer ou remplacer toutes les pièces endommagées fonctionnant mal par un atelier de réparation autorisé. N'utilisez pas l'appareil quand des pièces sont desserrées ou endommagées.
- Vous devez être conscient des risques de blessures à la tête, aux mains et aux pieds.
- Inspectez attentivement la zone de travail avant de démarrer l'appareil. Retirez les pierres, le verre cassé, les clous, les fils, les ficelles et autres objets qui peuvent être projetés ou s'enrouler dans l'appareil.
- Éloignez les enfants, les passants et les animaux domestiques ; ils doivent rester dans un rayon d'au moins 15 mètres (50 pieds). Même à cette distance, il existe néanmoins un risque de projectiles pour les personnes à proximité. Encouragez-les à porter des lunettes de sécurité. Si quelqu'un s'approche de vous, arrêtez immédiatement l'appareil.
- Appuyez sur la manette des gaz et vérifiez qu'elle revient automatiquement à la position de ralenti. Effectuez tous les réglages ou réparations avant d'utiliser l'appareil.
- Ne modifiez pas les réglages du régulateur et ne laissez pas le moteur s'emballer.
- Cet appareil est uniquement destiné à un usage domestique occasionnel.

AVERTISSEMENTS DE SÉCURITÉ POUR LES APPAREILS À GAZ



AVERTISSEMENT : l'essence est extrêmement inflammable et ses vapeurs peuvent exploser en présence d'une source d'inflammation. Prenez les précautions suivantes :

- Stockez le carburant uniquement dans des récipients spécifiquement conçus à cet usage et approuvés pour le stockage de telles substances.
- Arrêtez toujours le moteur et laissez-le refroidir avant de remplir le réservoir d'essence. N'enlevez jamais le bouchon du réservoir de carburant ou ne remplissez jamais ce dernier quand le moteur est chaud. Dévissez toujours lentement le bouchon du réservoir de carburant afin de relâcher toute pression présente avant de le remplir.
- Mélangez et ajoutez toujours le carburant dans une zone extérieure propre et bien aérée, en l'absence totale d'étincelles ou de flammes. NE fumez PAS.
- N'utilisez jamais l'appareil quand le bouchon du réservoir de carburant n'est pas correctement vissé.
- Évitez de créer une source d'inflammation en présence d'un déversement de carburant. Essuyez immédiatement tout carburant échappé du réservoir avant de démarrer l'appareil. Éloignez l'appareil à 9,1 mètres (30 pieds) au moins de la source de ravitaillement et du site avant de démarrer le moteur. NE fumez PAS.
- Ne démarrez jamais ou n'utilisez jamais l'appareil à l'intérieur d'un espace ou d'un bâtiment clos. L'inhalation des fumées d'échappement peut tuer. Utilisez cet appareil uniquement dans une zone extérieure bien aérée.

PENDANT L'UTILISATION

- Portez des lunettes de sécurité conformes aux normes ANSI / ISEA Z87.1 en vigueur et marquées comme telles. Portez une protection auditive pendant l'utilisation de cet appareil. Portez un écran facial ou un masque antipoussières si la tâche est poussiéreuse.
- Portez un pantalon long et épais, des bottes, des gants et une chemise à manches longues. Ne portez pas des vêtements amples, des bijoux, un pantalon court, des sandales et ne travaillez pas pieds nus. Attachez vos cheveux au-dessus des épaules.
- Ajustez la poignée pour procurer une meilleure prise, le cas échéant.
- Utilisez l'appareil uniquement en plein jour ou avec un bon éclairage artificiel.
- Évitez tout démarrage accidentel. Placez-vous dans la position de démarrage dès que vous tirez sur le câble de démarreur. L'opérateur et l'appareil doivent être dans une position stable pendant le démarrage. Consultez les sections *Mise en marche* et *Arrêt*.
- Utilisez le bon outil. Utilisez uniquement cet outil pour l'usage prévu. N'utilisez l'appareil que de la façon décrite dans ce manuel.
- Tenez toujours l'appareil à deux mains lorsqu'il est en marche. Tenez fermement les deux anses ou poignées.

- Ne vous penchez pas trop en avant. Conservez toujours une position stable et un bon équilibre. Redoublez de prudence lorsque vous travaillez dans des escaliers, des pentes ou des rampes abruptes. Pour éviter les blessures graves, n'utilisez pas l'appareil lorsque vous vous trouvez sur une échelle ou un toit.
- Éloignez vos mains, votre visage et vos pieds des pièces mobiles. Ne touchez pas ou n'essayez pas d'arrêter des pièces en mouvement.
- Ne touchez pas le moteur, le carter d'engrenage ou le pot d'échappement. Ces composants deviennent extrêmement chauds pendant l'utilisation, même après l'arrêt de l'appareil.
- N'utilisez pas l'appareil à une vitesse supérieure à celle nécessaire pour réaliser le travail. Ne faites pas fonctionner l'appareil à haute vitesse quand vous ne l'utilisez pas.
- Ne forcez pas l'appareil. Il sera plus efficace et plus sûr si vous l'utilisez à la vitesse pour laquelle il a été conçu.
- Éteignez toujours l'appareil lorsque le fonctionnement est retardé ou lorsque vous transportez l'appareil d'un endroit à un autre. Assurez-vous que toutes les pièces mobiles sont complètement arrêtées.
- Avant de déposer l'outil, assurez-vous toujours que le moteur est éteint et que toutes les pièces mobiles se sont immobilisées.
- Si l'appareil frappe un objet étranger ou s'y enchevêtre, arrêtez-le immédiatement. Vérifier la présence de dommages. S'il est endommagé, ne redémarrez pas ni n'utilisez l'appareil jusqu'à ce qu'il soit réparé. N'utilisez pas l'appareil quand des pièces sont desserrées ou endommagées.
- Arrêtez le moteur et débranchez la bougie pour les tâches d'entretien ou les réparations.
- Utilisez uniquement des pièces et des accessoires de rechange du fabricant d'origine pour cet appareil. Ils sont disponibles auprès de votre centre de réparation agréé. L'utilisation d'autres pièces ou accessoires pourrait entraîner de graves blessures de l'utilisateur ou endommager l'appareil, et annuler la garantie.
- L'appareil doit rester propre. Retirez avec précaution la végétation et autres débris qui pourraient bloquer les pièces mobiles.
- Pour réduire les risques d'incendie, remplacez un pot d'échappement et un pare-étincelles défectueux. Nettoyez l'herbe, les feuilles, les couches de graisse excessives ou les dépôts de carbone présents sur le moteur et le pot d'échappement.
- Si l'appareil commence à vibrer de façon anormale, arrêtez-le immédiatement. Inspectez l'appareil pour découvrir l'origine des vibrations. Les vibrations indiquent en général un problème.

SÉCURITÉ DU TAILLE-BORDURE

- Utilisez uniquement le fil de coupe décrit dans la section *Caractéristiques* de ce manuel. N'utilisez jamais de fils, de câbles, de chaînes ou de cordons à renfort métallique. Ils peuvent se casser et se transformer en projectiles dangereux.
- Ne pas remplacer la tête de coupe par des lames rigides ou en métal. Cela pourrait entraîner de graves blessures.
- Le carter de la tête de coupe doit toujours être en place pendant l'utilisation de l'appareil.

- N'utilisez pas l'appareil sans que les deux fils de coupe soient tendus et que le fil correct soit installé. Ne tirez pas le fil de coupe au-delà du carter de protection.
- La tête de coupe tourne pendant les réglages de ralenti. Portez des vêtements de protection et respectez toutes les consignes de sécurité pour éviter toute blessure grave.
- Assurez-vous que la tête de coupe n'est pas en contact avec tout autre élément avant de démarrer l'appareil.

AUTRES AVERTISSEMENTS DE SÉCURITÉ

- Maintenez l'unité avec soin. Suivez toutes les instructions d'entretien de ce manuel.
- N'effectuez pas de procédures de maintenance autres que celles décrites dans ce manuel. Toutes les réparations, autres que les procédures de maintenance décrites dans ce manuel, doivent être effectuées par un centre de réparations agréé.
- Ne retirez, modifiez ou rendez jamais inopérant tout dispositif de sécurité fourni avec l'appareil.
- Avant une inspection, un entretien, un nettoyage, un entreposage, un transport ou le remplacement d'une pièce de l'appareil :
 1. Arrêtez l'appareil. Consultez les sections *Mise en marche et Arrêt*.
 2. Assurez-vous que toutes les pièces mobiles se sont arrêtées.
 3. Laissez l'appareil refroidir.
 4. Débranchez le fil de la bougie.
- Assurez-vous que l'appareil est sécurisé pour les transports.
- Quand le réservoir contient du carburant, ne rangez jamais l'appareil à l'intérieur d'un bâtiment où des vapeurs d'essence pourraient atteindre une flamme nue (veilleuses, etc.) ou des étincelles (interrupteurs, moteurs électriques, etc.).
- Rangez l'appareil dans un endroit sec et sûr ou en hauteur pour éviter une utilisation non autorisée ou des dommages. Gardez toujours l'appareil hors de portée des enfants.
- Ne mouillez pas ou n'éclaboussez pas l'appareil avec de l'eau ou tout autre liquide. Gardez les poignées sèches et propres (sans débris, huile et graisse). Nettoyez l'appareil après chaque utilisation. Consultez la section *Nettoyage et entreposage*. N'utilisez pas de solvants ou de puissants détergents.
- Conservez ces instructions. Consultez-les souvent et utilisez-les pour former d'autres utilisateurs. Si vous prêtez cet appareil à d'autres personnes, remettez-leur également ces instructions.

CONSERVEZ CES INSTRUCTIONS

SYMBOLES DE SÉCURITÉ ET INTERNATIONAUX

Le présent manuel de l'opérateur décrit les symboles et pictogrammes de sécurité et internationaux, susceptibles d'apparaître sur ce produit. Veuillez lire le manuel de l'opérateur pour connaître les informations complètes sur la sécurité, l'assemblage, l'utilisation, l'entretien et la réparation.



SYMBOLE SIGNIFICATION

	SYMBOLE D'ALERTE DE SÉCURITÉ Indique un danger, un avertissement ou une mise en garde. Peut être utilisé conjointement avec d'autres symboles ou pictogrammes.
	LISEZ LE MANUEL DE L'OPÉRATEUR AVERTISSEMENT : Veuillez lire le(s) manuel(s) de l'opérateur et respecter tous les avertissements et consignes de sécurité. Dans le cas contraire, l'opérateur et/ou les passants peuvent subir des blessures graves.
	PORTEZ DES PROTECTIONS AUDITIVES ET OCULAIRES AVERTISSEMENT : La projection d'objets et les bruits forts peuvent provoquer des blessures oculaires graves et une perte auditive. Portez une protection oculaire conforme aux normes ANSI / ISEA Z87.1 en vigueur, ainsi qu'une protection auditive pendant l'utilisation de cet appareil. Utilisez un écran facial complet dès que nécessaire.
	PORTER DES CHAUSSURES PROTECTRICES En utilisant cet appareil, toujours porter de robustes chaussures antidérapantes.
	PORTER DES GANTS En utilisant cet appareil, toujours porter de robustes gants antidérapants.
	POSITION DE LA POIGNÉE S'assurer que la poignée est placée au-delà de l'extrémité de l'étiquette de sécurité.
	ESSENCE SANS PLOMB Utilisez toujours de l'essence sans plomb, propre et neuve.
	HUILE Consultez le manuel de l'opérateur pour connaître le type d'huile à utiliser.

	<p>N'UTILISEZ PAS UN CARBURANT E85 DANS CET APPAREIL</p> <p>ATTENTION : Il a été prouvé qu'un carburant contenant plus de 10 % d'éthanol est susceptible d'endommager ce moteur et d'annuler la garantie.</p>
	<p>COMMANDE DE MARCHÉ / ARRÊT</p> <p>ALLUMAGE / DÉMARRAGE / MARCHÉ</p>
	<p>COMMANDE DE MARCHÉ / ARRÊT</p> <p>ARRÊT</p>
	<p>POIRE D'AMORÇAGE</p> <p>Poussez complètement et lentement la poire d'amorçage à 10 reprises.</p>
	<p>COMMANDE DE L'ÉTRANGLEUR</p> <ol style="list-style-type: none"> 1. Position d'étranglement MAXIMUM 2. Position d'étranglement PARTIELLE 3. Position d'étranglement MARCHÉ
	<p>LES OBJETS PROJÉTÉS PEUVENT CAUSER DES BLESSURES GRAVES</p> <p>AVERTISSEMENT : Les petits objets peuvent être propulsés à des vitesses élevées, provoquant des blessures.</p>
<p>Min. 50 ft</p>  <p>15 m</p>	<p>ÉLOIGNEZ LES PASSANTS</p> <p>AVERTISSEMENT : Éloignez tous les passants, en particulier les enfants et les animaux domestiques, à 15 m (50 pieds) au moins de la zone de coupe.</p>
	<p>SURFACE CHAUDE</p> <p>AVERTISSEMENT : Ne touchez pas un pot d'échappement ou un cylindre chaud. Vous pourriez vous brûler. Ces éléments chauffent énormément lorsque l'appareil est en marche. Ils restent chauds pendant un court instant après l'arrêt.</p>
	<p>LAME TRANCHANTE</p> <p>AVERTISSEMENT : Une lame tranchante se trouve sur le bouclier de la tête de coupe. Pour éviter toute blessure grave, ne touchez pas la lame du coupe-fil.</p>

SYMBOLE

SIGNIFICATION

	<p>NE PAS REMPLACER LES TÊTES DE COUPE PAR DES LAMES*</p> <p>AVERTISSEMENT : Lorsque vous utilisez un taille-bordures, pour éviter des blessures graves, ne remplacez pas la tête de coupe par des lames rigides ou en métal.</p> <p><i>* Cet avertissement ne s'applique pas aux unités équipées de lames, telles que les coupe-bordures et les débroussailleuses.</i></p>
	<p>SERRAGE DES VIS</p> <p>AVERTISSEMENT : Pour éviter les dommages matériels ou corporels graves, serrez correctement les vis.</p>

APPRENEZ À CONNAÎTRE VOTRE APPAREIL

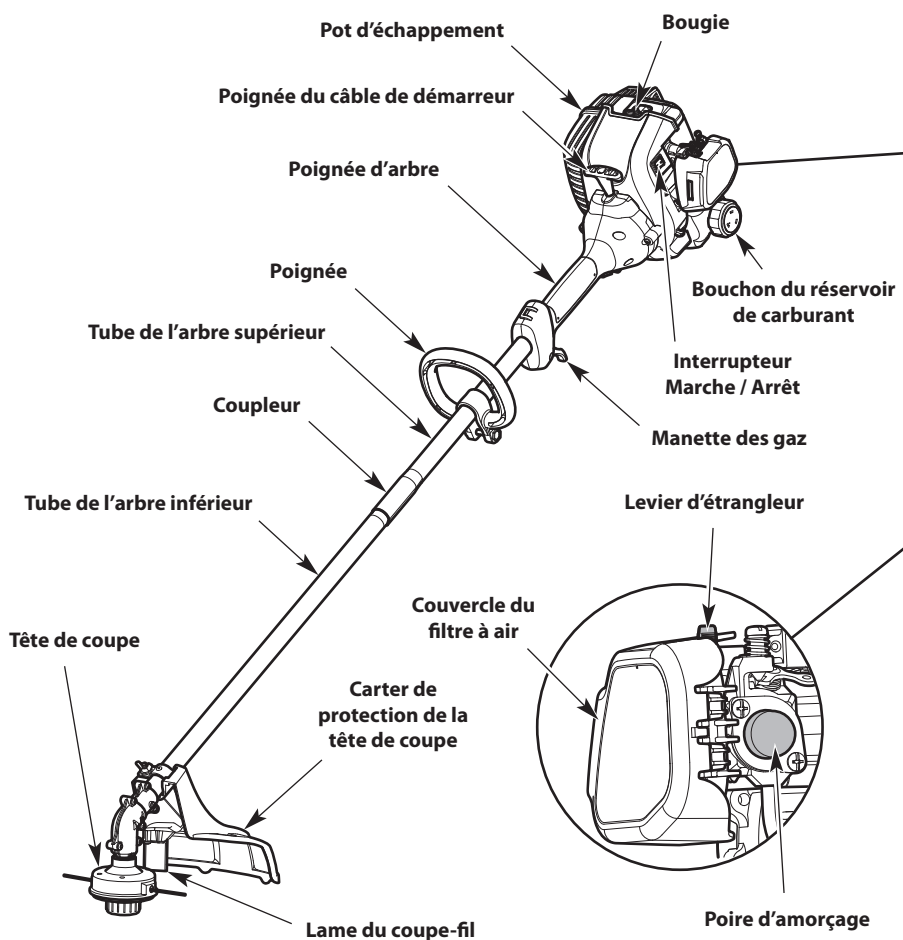
REMARQUE : Le modèle présenté peut différer du vôtre.

APPLICATIONS

- Coupe d'herbe et de mauvaises herbes
- Coupe de bordures
- Aille décorative autour des arbres, des clôtures, etc.

OUTILS REQUIS POUR L'ASSEMBLAGE

- Tournevis à tête cruciforme #2



CARACTÉRISTIQUES*

Type de moteur	Refroidi par air, 2 temps
Cylindrée	25 cc (1,52 po. cube)
Écartement des électrodes	0,635 mm (0,025 po.)
Bougie (États-Unis).....	Champion® RDJ7J ou équivalent
Bougie (Canada).....	Champion® QDJ7J ou équivalent
Lubrification	Mélange carburant/huile
Rapport carburant/huile.....	40:1
Capacité du réservoir de carburant.....	251 ml (8,5 onces liquides)
Poids approximatif de l'appareil (sans carburant) (varie selon le modèle)....	4,3 - 5,2 kg (9,5 - 11,5 livres)
Mécanisme de coupe (varie selon le modèle).....	Tête de butée ou tête de coupe de fil fixe
Diamètre du fil de coupe (tête de butée)	2,41 mm (0,095 po.)
Fil de coupe (tête de coupe de fil fixe).....	Fil précoupé de 2,41 mm (0,095 po) ou 2,67 mm (0,105 po)
Diamètre de la trajectoire de coupe (tête de butée)	40,6 cm (16 po.)
Diamètre de la trajectoire de coupe (tête de coupe de fil fixe).....	35,6 cm (14 po.)

Canada: Ce système d'allumage par étincelle de véhicule est conforme à la norme NMB-002 du Canada.

* Toutes les caractéristiques reposent sur les dernières informations disponibles sur le produit au moment de l'impression de ce manuel. Nous nous réservons le droit d'apporter à tout instant des modifications, sans préavis.

ASSEMBLAGE

INSTALLATION DU CARTER DE PROTECTION DE LA TÊTE DE COUPE

(Pour les unités à arbre courbé)



AVERTISSEMENT : Pour éviter toute blessure grave, n'utilisez jamais cet appareil quand le carter de protection de la tête de coupe n'est pas en place.

1. Retirez l'écrou à oreilles et la rondelle du carter de protection.
2. Insérez la patte courte (celle sans orifice) du support de fixation dans l'encoche du carter de protection (Fig. 1).
3. Faites tourner le carter de protection dans le sens horaire inverse afin d'aligner le trou du carter de protection avec le trou du support de fixation (Fig. 1).
4. Insérez le boulon à tête carrée dans le trou situé en-dessous du carter de protection (Fig. 2). Poussez le boulon à travers le carter de protection et le support de fixation.
5. Placez la rondelle sur le boulon carré (Fig. 2).
6. Vissez l'écrou à oreilles sur le boulon à tête carrée jusqu'à ce que le carter de protection soit correctement fixé en position (Fig. 2).

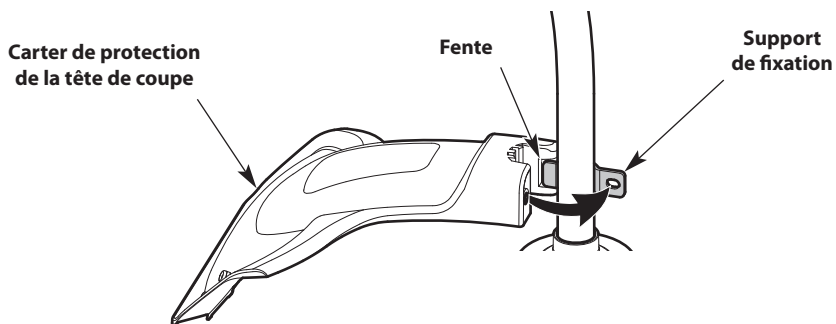


Fig. 1

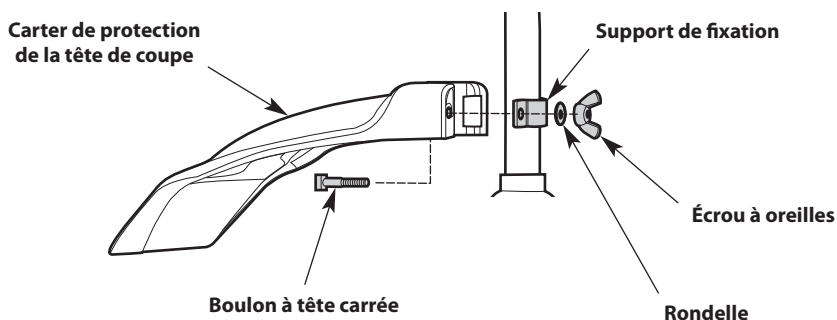


Fig. 2

INSTALLATION DU CARTER DE PROTECTION DE LA TÊTE DE COUPE

(Pour les unités à arbre droit)



AVERTISSEMENT : Pour éviter toute blessure grave, n'utilisez jamais cet appareil quand le carter de protection de la tête de coupe n'est pas en place.

1. Retirez l'écrou à oreilles et la rondelle du carter de protection.
2. Insérez la patte courte (celle sans orifice) du support de fixation dans l'encoche du carter de protection (Fig. 3).
3. Faites tourner le bouclier de la tête de coupe jusqu'à ce que les boulons du bouclier de la tête de coupe dépassent des orifices du support de fixation (Fig. 3).
4. Placez la rondelle sur le boulon (Fig. 4).
5. Vissez l'écrou à oreilles sur le boulon jusqu'à ce que le bouclier de la tête de coupe soit bien en place (Fig. 4).

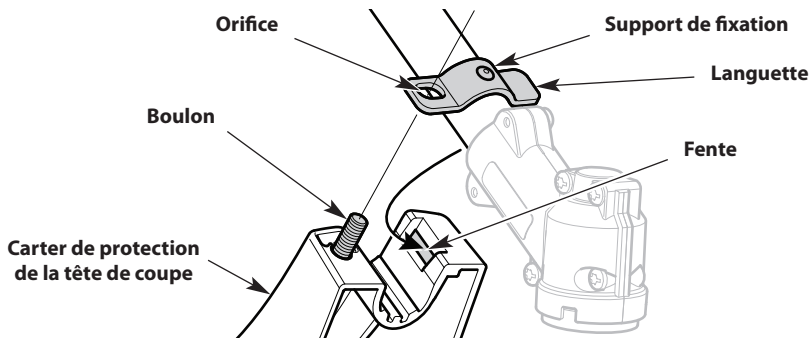


Fig. 3

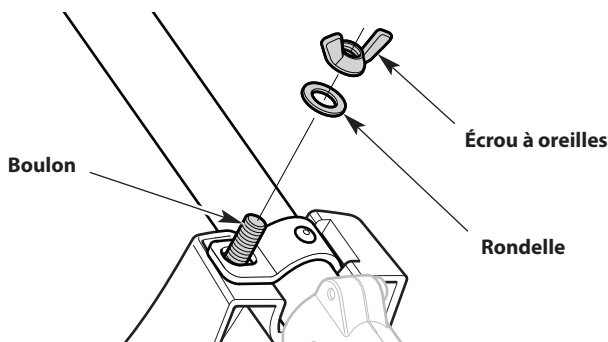


Fig. 4

RACCORDEMENT DES ARBRES SUPÉRIEUR ET INFÉRIEUR

1. Réglez l'appareil sur une surface plane.
2. Retournez la partie supérieure de l'unité. Les orifices situés sur le coupleur doivent être orientés vers le haut (Fig. 5).
3. Retournez la partie inférieure de l'unité. Les orifices situés sur le tube inférieur de l'arbre doivent être orientés vers le haut (Fig. 5).
4. Enfoncez le tube inférieur de l'arbre dans le coupleur (Fig. 5). Les orifices situés sur le tube inférieur de l'arbre devraient s'enligner avec ceux du coupleur (Fig. 6).

SI... le tube inférieur de l'arbre ne rentre pas complètement dans le coupleur et que les orifices ne s'enlignent pas, retirez le tube inférieur de l'arbre, tournez légèrement la tête de coupe (1/8e de tour) et répétez l'étape 4 (Fig. 7).

5. Insérez les vis (2) dans les orifices enlignés (Fig. 6).
6. Serrez correctement les vis avec un tournevis Phillips no 2.



AVERTISSEMENT : Pour prévenir les blessures graves et pour ne pas endommager l'unité, assurez-vous que les vis sont correctement serrées avant chaque utilisation.

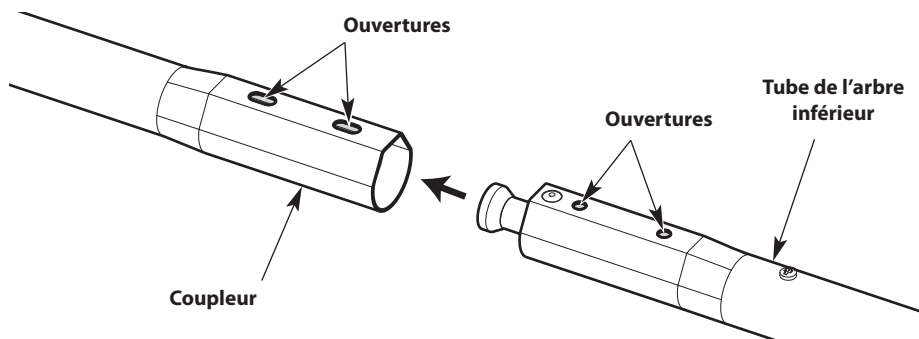


Fig. 5

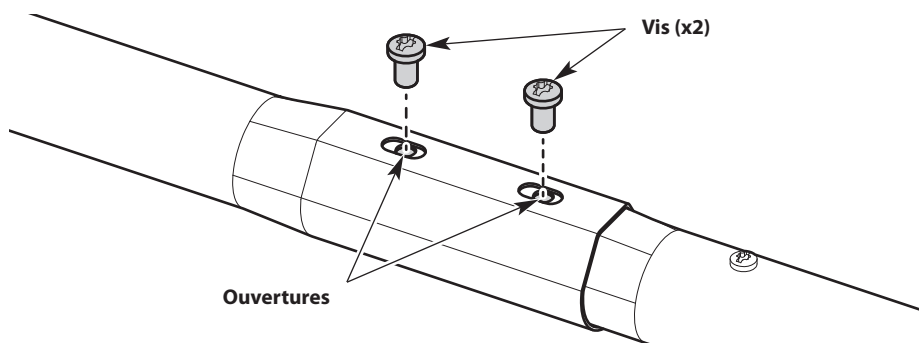


Fig. 6

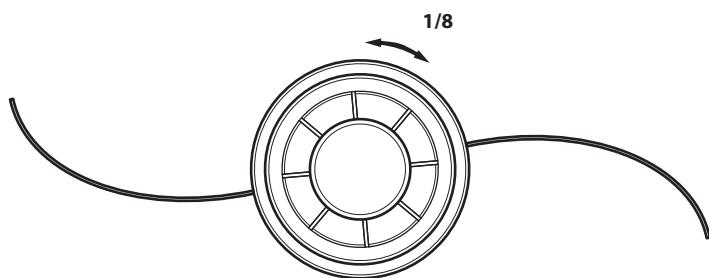


Fig. 7

ENSEMBLE DE POIGNÉE

Suivez les instructions qui s'appliquent à la poignée incluse avec votre appareil. Reportez-vous à *Installation et réglage de la poignée*.

INSTALLATION ET RÉGLAGE DE LA POIGNÉE

(Type de poignée A)

Installation de la poignée

1. Poussez le manche sur le tube supérieur de l'arbre (Fig. 8). Assurez-vous que les ouvertures du boulon hexagonal font face vers la gauche (Fig. 8).
2. Insérez le boulon dans le trou hexagonal et poussez-le à travers (Fig. 9). Placez la rondelle sur le boulon (Fig. 9). Vissez l'écrou à oreilles sur le boulon, mais sans le serrer complètement (Fig. 9).
3. Maintenez l'unité en position d'utilisation (Fig. 15). Déplacez le manche vers le haut ou le bas sur le tube supérieur pour trouver une position confortable (Fig. 9). S'assurer que la poignée est placée au-delà de l'extrémité de l'étiquette de sécurité (Fig. 9).
4. Serrez l'écrou à oreilles pour bien fixer la poignée en position.

Réglage de la poignée

Si la poignée doit être ajustée :

1. Desserrez l'écrou à oreilles (Fig. 9).
2. Maintenez l'unité en position d'utilisation (Fig. 15). Déplacez le manche vers le haut ou le bas sur le tube supérieur pour trouver une position confortable (Fig. 9). S'assurer que la poignée est placée au-delà de l'extrémité de l'étiquette de sécurité (Fig. 9).
3. Serrez l'écrou à oreilles pour bien fixer la poignée en position.

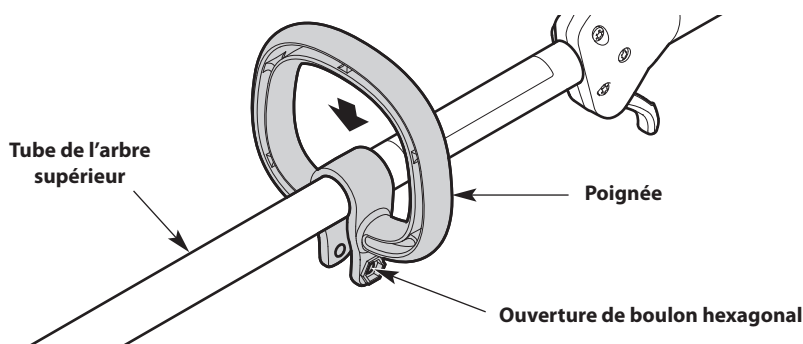


Fig. 8

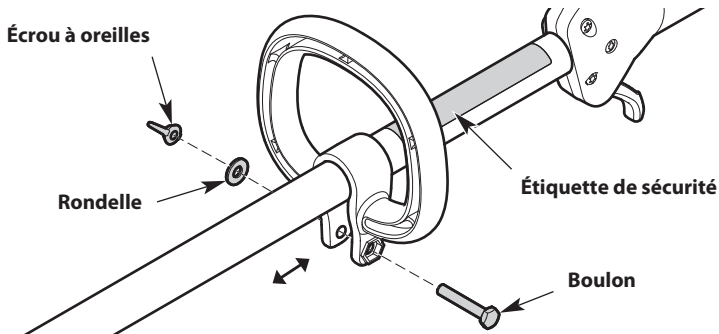


Fig. 9

INSTALLATION ET RÉGLAGE DE LA POIGNÉE

(Type de poignée B)

Installation de la poignée

1. Poussez le manche sur le tube supérieur de l'arbre (Fig. 10). Assurez-vous que l'ouverture du boulon font face vers la droite (Fig. 10).
2. Insérez le boulon dans son trou et poussez-le à travers (Fig. 10). Serrer la boulon avec un tournevis à tête plate, mais ne pas serrer la boulon complètement.
3. Maintenez l'unité en position d'utilisation (Fig. 15). Déplacez le manche vers le haut ou le bas sur le tube supérieur pour trouver une position confortable (Fig. 10). S'assurer que la poignée est placée au-delà de l'extrémité de l'étiquette de sécurité (Fig. 10).
4. Serrer la boulon avec un tournevis à tête plate jusqu'à ce que la poignée soit bien serrée.

Réglage de la poignée

Si la poignée doit être ajustée :

1. Desserrer le boulon avec un tournevis à tête plate (Fig. 10).
2. Maintenez l'unité en position d'utilisation (Fig. 15). Déplacez le manche vers le haut ou le bas sur le tube supérieur pour trouver une position confortable (Fig. 10). S'assurer que la poignée est placée au-delà de l'extrémité de l'étiquette de sécurité (Fig. 10).
3. Serrer la boulon avec un tournevis à tête plate jusqu'à ce que la poignée soit bien serrée.

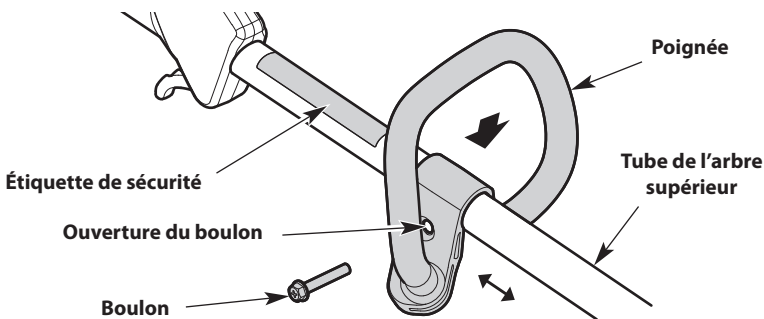


Fig. 10

INSTRUCTIONS DE MÉLANGE D'HUILE ET DE CARBURANT

L'utilisation d'un carburant vieux et/ou mal mélangé est la cause la plus courante des problèmes de performance. Utilisez uniquement une essence sans plomb neuve et propre. Respectez ces instructions à la lettre pour mélanger correctement l'essence et l'huile.

Définition des carburants mélangés

Les carburants d'aujourd'hui sont souvent un mélange d'essence et de produits oxygénés, comme l'éthanol, le méthanol ou l'éther méthyl-tertiobutylique. Un carburant mélangé à l'alcool absorbe l'eau. Il suffit de 1 % d'eau pour séparer le carburant et l'huile, ce qui formera des acides pendant l'entreposage. Utilisez TOUJOURS un carburant neuf (moins de 30 jours).

REMARQUE : Jetez le vieux carburant en respectant les réglementations fédérales, étatiques et locales.

Utilisation des carburants mélangés

Si vous utilisez un carburant mélangé :

- Utilisez toujours le mélange de carburant frais expliqué dans le manuel de l'opérateur
- Utilisez un additif pour carburant
- Agitez toujours le mélange de carburant avant de remplir l'appareil



ATTENTION : N'UTILISEZ PAS UN CARBURANT E85 DANS CET APPAREIL.

Il a été prouvé qu'un carburant contenant plus de 10 % d'éthanol est susceptible d'endommager ce moteur et d'annuler la garantie.

Utilisation d'additifs pour carburant

Le contenant d'huile à deux temps fourni avec cet appareil comprend un additif de carburant pour aider à empêcher la corrosion et réduire les dépôts de gomme. Utilisez toujours la marque d'huile pour moteur à 2 temps fournie avec cet appareil. En cas d'indisponibilité, utilisez une huile conçue pour les moteurs à 2 temps refroidis par air, en la mélangeant avec un additif pour carburant. Ajoutez 23 ml (2 oz.) d'additif pour 3,8 litres (1 gallon) de carburant selon les instructions du récipient. N'ajoutez JAMAIS des additifs directement dans le réservoir de l'appareil.



Mélange du carburant

REMARQUE : Cet appareil est livré avec un contenant d'huile à deux temps de 95 ml (3,2 oz). Pour obtenir le mélange de carburant adéquat décrit ci-dessous, versez le contenant complet dans 3,8 litres (1 gal) d'essence sans plomb.



ATTENTION : Pour assurer le fonctionnement adéquat du moteur et une fiabilité maximale, respectez scrupuleusement les instructions de mélange de l'essence et de l'huile figurant sur le contenant d'huile à deux temps. L'utilisation d'un carburant mal mélangé peut gravement endommager le moteur.

Mélanguez soigneusement l'essence sans plomb et l'huile pour moteur à 2 temps en respectant à la lettre les proportions. Ne les mélangez pas directement dans le réservoir de l'appareil. Utilisez un bidon séparé. Utilisez un rapport d'essence/huile de 40:1. Consultez le tableau ci-dessous pour connaître les rapports de mélange exacts de l'essence et de l'huile.

	
Essence sans plomb	Huile 2-temps
3,8 litres (1 gallon américain)	95 ml (3,2 oz.)
1 litre	25 ml

RAPPORT DE MÉLANGE - 40:1

REPLISSAGE DU RÉSERVOIR



AVERTISSEMENT : L'essence est extrêmement inflammable. Des vapeurs enflammées peuvent exploser. Arrêtez toujours le moteur et laissez-le refroidir avant de remplir le réservoir d'essence. Ne fumez pas pendant le remplissage du réservoir. Maintenez toute flamme nue et étincelle loin de la zone.



AVERTISSEMENT : Dévissez lentement le bouchon du réservoir pour éviter toute blessure due à un jet de carburant. N'utilisez jamais l'appareil quand le bouchon du réservoir de carburant n'est pas correctement vissé.



AVERTISSEMENT : Ajoutez l'essence dans une zone extérieure propre et bien aérée. Essuyez immédiatement tout carburant déversé. Évitez de créer une source d'inflammation en présence d'un déversement de carburant. Ne démarrez pas le moteur avant que les vapeurs d'essence ne se soient dissipées.

1. Placez l'appareil afin que le bouchon du réservoir soit tourné vers le haut.
2. Retirez lentement le bouchon du réservoir d'essence.
3. Placez le bec du réservoir de carburant dans l'orifice de remplissage du réservoir et remplissez le réservoir.

REMARQUE : NE REMPLISSEZ PAS le réservoir de manière excessive.

4. Essuyez la totalité du carburant échappé du réservoir.
5. Revissez le bouchon du réservoir.
6. Éloignez l'appareil à 9,1 mètres (30 pieds) au moins du bidon de carburant et du site de ravitaillement avant de démarrer le moteur.

MISE EN MARCHÉ ET ARRÊT



AVERTISSEMENT : Utilisez cet appareil uniquement dans une zone extérieure bien aérée. Des émanations de monoxyde de carbone dans un endroit confiné peuvent être mortelles.



AVERTISSEMENT : Évitez tout démarrage accidentel de l'appareil. Pour éviter toute blessure grave, l'opérateur et l'appareil doivent être tous deux en position stable quand l'opérateur tire sur le câble de démarreur (Fig. 14).



AVERTISSEMENT : La tête de coupe commence à tourner pendant la procédure de démarrage. Portez des vêtements de protection et respectez toutes les consignes de sécurité pour éviter toute blessure grave.

INSTRUCTIONS DE DÉMARRAGE

REMARQUE : il n'est pas nécessaire de démarrer l'appareil. L'interrupteur de marche/arrêt est constamment en position de **Marche (1)** (Fig. 11).

Avant de démarrer l'unité

1. Mélangez l'essence et l'huile. Consultez les *Instructions de mélange de l'huile et de l'essence*.
2. Remplissez le réservoir d'essence. Consultez la section *Remplissage du réservoir*.

Démarrage de l'unité

1. Appuyez lentement et relâchez la poire d'amorçage à **10 reprises** (Fig. 13). Si aucune quantité de carburant n'apparaît dans la poire d'amorçage, appuyez et relâchez la poire jusqu'à l'apparition de carburant.
2. Déplacez le levier d'étrangleur en **Position 1** (Fig. 13).
3. Accroupissez-vous en position de démarrage (Fig. 14).
4. Serrez la manette des gaz et maintenez-la enfoncée (Fig. 12).

REMARQUE : **Continuez d'APPUYER et MAINTENEZ ENFONCÉE la manette des gaz pendant TOUTES les étapes suivantes.**

5. Tirez sur la corde de démarrage en effectuant un mouvement contrôlé et ferme à **5 reprises** (Fig. 14).
6. Déplacez le levier d'étrangleur en **Position 2** (Fig. 13).
7. Tirez sur le câble de démarreur en un mouvement contrôlé et ferme à **3 ou 5 reprises** pour démarrer le moteur.
8. Laissez le moteur chauffer pendant 30 à 60 secondes.
9. Déplacez le levier d'étrangleur en **Position 3** (Fig. 13). Laissez le moteur se réchauffer pendant 60 secondes de plus. L'appareil peut être utilisé pendant ce laps de temps.

REMARQUE : Le moteur a correctement chauffé quand il accélère sans hésitation.

SI... le moteur hésite, remplacez le levier d'étrangleur en **Position 2** et laissez-le chauffer.

SI... le moteur ne démarre pas, reprenez toute la séquence de démarrage.

- SI...** le moteur ne démarre pas après quelques tentatives : Déplacez le levier d'étrangleur en **Position 3**. Serrez la manette des gaz et maintenez-la enfoncée. Tirez sur la corde de démarrage en effectuant un mouvement contrôlé et fermez jusqu'à ce que l'appareil démarre.
- SI...** le moteur est déjà chaud, commencez la procédure de démarrage à l'étape 6.

INSTRUCTIONS D'ARRÊT

1. Relâchez la manette des gaz et laissez le moteur tourner au ralenti.
2. Appuyez sur l'interrupteur de marche/arrêt et maintenez-le enfoncé en position **d'Arrêt (O)** jusqu'à ce que le moteur s'arrête complètement (Fig. 11).

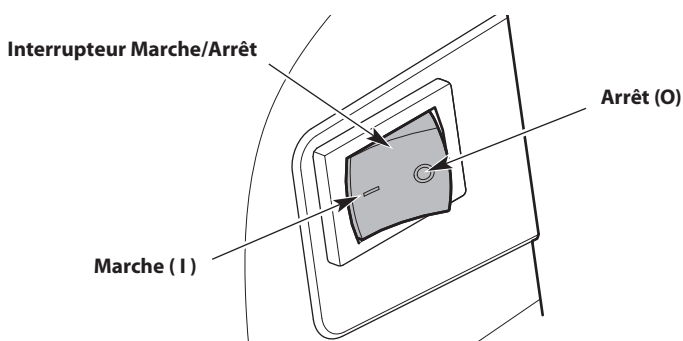


Fig. 11

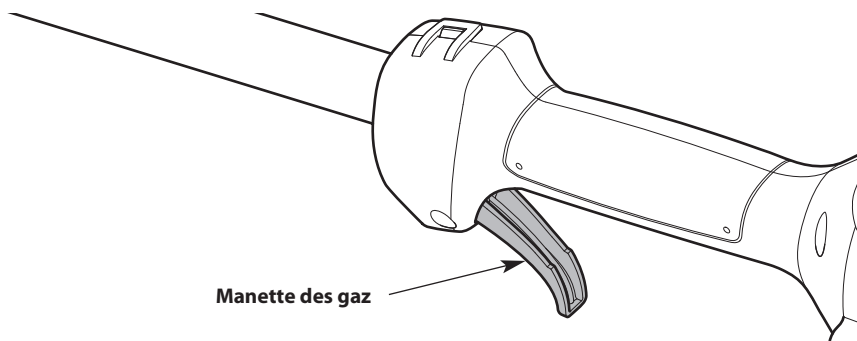


Fig. 12

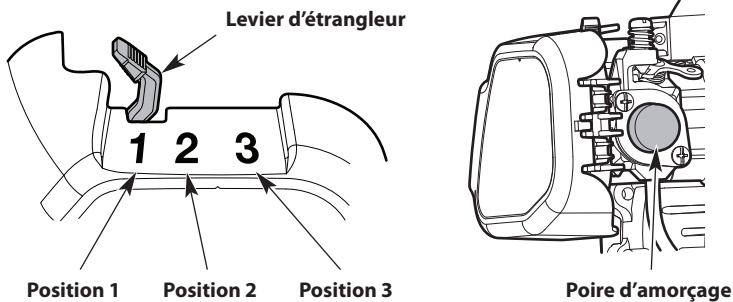


Fig. 13



Fig. 14

UTILISATION

TENUE DE L'APPAREIL



AVERTISSEMENT : Portez toujours une protection pour les yeux, les oreilles, les mains, les pieds et le corps afin de limiter les risques de blessure pendant l'utilisation de cet appareil.



AVERTISSEMENT : Pour éviter les blessures graves, évitez de mettre le bras en contact avec le moteur pendant le fonctionnement de l'appareil. Le moteur peut être très chaud.

- Placez-vous en position d'utilisation (Fig. 15). Tenez-vous bien droit. Ne vous penchez pas.
- Gardez les pieds écartés et fermement posés sur le sol.
- Tenez la poignée d'arbre avec la main droite. Le bras droit doit rester légèrement plié.
- Tenez la poignée avec la main gauche. Le bras gauche doit rester tendu.
- Tenez l'appareil au niveau de votre taille.
- Placez la tête de coupe à quelques centimètres au-dessus du sol.



Fig. 15

RÉGLAGE DE LA LONGUEUR DU FIL

(Pour les unités avec têtes de butée)

Si l'unité est équipée d'une tête de butée, le fil de coupe peut être libéré de la tête de coupe sans arrêter le moteur. Avant cela, assurez-vous que la tête de coupe est chargée de fil. Reportez-vous à *Addenda de remplacement de fil de coupe*.

Pour libérer davantage de fil, tapez légèrement le bouton de butée sur le sol (Fig. 16) en faisant fonctionner l'appareil à haut régime. Pour un résultat optimal, tapez le bouton de butée sur un sol nu ou dur. Toute tentative pour libérer du fil dans une herbe haute peut faire caler le moteur.

REMARQUE : Ne posez pas la tête de coupe sur le sol quand l'appareil est en marche.

Chaque fois que vous tapez le bouton de butée, vous libérez environ 25,4 mm (1 po.) de fil de coupe.

REMARQUE : Le fil de coupe doit toujours rester bien tendu. Il devient plus difficile de libérer du fil quand ce dernier raccourcit.

Une lame située dans le carter de protection de la tête de coupe coupera le fil à la longueur correcte si vous libérez une longueur de fil excessive.



AVERTISSEMENT : N'enlevez pas ou ne modifiez pas le coupe-fil. Une longueur excessive de fil entrainera une surchauffe de l'appareil, ce qui pourrait provoquer de graves blessures de l'opérateur ou endommager sérieusement l'appareil.

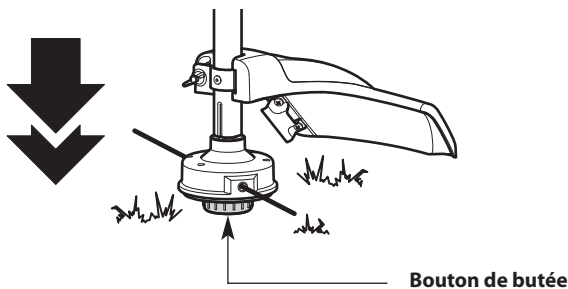


Fig. 16

CONSEILS POUR UN RÉSULTAT OPTIMAL

- Pour la plupart des opérations, coupez d'un côté à l'autre.
- La direction dans laquelle les coupures sont projetées dépend de la rotation de la tête de coupe. Pour diriger les accumulations à l'écart de l'opérateur :
 - **Rotation horaire** : Inclinez la tête de coupe légèrement vers la gauche et, lorsque cela est possible, coupez de droite à gauche.
 - **Rotation antihoraire** : Inclinez la tête de coupe légèrement vers la droite et, lorsque cela est possible, coupez de gauche à droite.
- Coupez l'herbe haute (plus de 20 cm [8 pouces]) de haut en bas en abaissant la tête de coupe sur l'herbe.
- Coupez avec le bout du fil de coupe.
- Coupez petit à petit. Bougez lentement. Ne forcez pas l'appareil.
- Ne coupez pas de l'herbe ou des mauvaises herbes mouillées.

REMARQUE : Le fil peut parfois se casser à cause de :

- Une matière étrangère qui s'enroule dans l'appareil
- Une usure normale du fil
- La coupe d'une végétation épaisse
- Le forçage du fil contre des objets comme des murs ou des poteaux de clôture

COUPE DE BORDURE DÉCORATIVE

Quand vous taillez autour des arbres, des poteaux, des clôtures, etc., faites tourner complètement l'appareil afin que la tête de coupe soit à un angle de 30° par rapport au sol (Fig. 17).

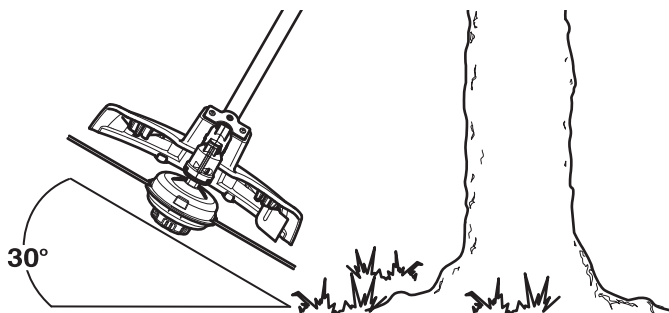


Fig. 17

ENTRETIEN



AVERTISSEMENT : Pour éviter toute blessure grave, arrêtez toujours le moteur et laissez-le refroidir avant de nettoyer ou de procéder à un entretien de l'appareil. N'effectuez jamais de nettoyage ou d'entretien lorsque l'appareil est en marche. Débranchez le fil de la bougie pour éviter un démarrage accidentel de l'appareil.



AVERTISSEMENT : Portez des vêtements de protection et respectez toutes les consignes de sécurité pour éviter toute blessure grave.

PROGRAMME D'ENTRETIEN

Effectuez ces procédures d'entretien obligatoires aux intervalles indiqués dans le tableau. Ces procédures doivent également faire partie d'une mise au point saisonnière.

REMARQUE : Certaines procédures d'entretien peuvent nécessiter des compétences ou des outils particuliers. Si vous avez des doutes concernant ces procédures, amenez l'appareil chez un revendeur agréé. Reportez-vous à *Supplément de service/garantie* pour en savoir plus.

REMARQUE : L'entretien, le remplacement ou la réparation du système et des dispositifs de contrôle des émissions peuvent être réalisés par un revendeur agréé. Reportez-vous à *Supplément de service/garantie* pour en savoir plus.

REMARQUE : Veuillez lire la déclaration de l'État de Californie / EPA (agence de protection de l'environnement) qui est livrée avec l'appareil pour obtenir une liste complète des conditions et de la couverture des dispositifs antipollution, tels que le pare-étincelles, le pot d'échappement, le carburateur, etc.

INTERVALLE	D'ENTRETIEN OBLIGATOIRE
Toutes les 10 heures	<ul style="list-style-type: none">Nettoyez et graissez le filtre à air. Consultez la section <i>Entretien du filtre à air</i>.
Toutes les 25 heures	<ul style="list-style-type: none">Vérifiez l'état de la bougie et l'écartement des électrodes. Consultez la section <i>Entretien de la bougie</i>.

REPLACEMENT DU FIL DE COUPE

Reportez-vous à *Addenda de remplacement du fil de coupe* pour consulter les instructions complètes.

ENTRETIEN DU FILTRE À AIR

Le non-entretien du filtre à air peut entraîner une mauvaise performance ou des dommages permanents du moteur. Une panne de moteur découlant d'un mauvais entretien du filtre à air n'est pas couverte par la garantie du produit.

Nettoyage du filtre à air

1. Ouvrez le couvercle du filtre à air : Faites un crochet avec vos doigts derrière la languette du couvercle. Pour déverrouiller le couvercle du filtre à air, tirez-le vers la gauche, en l'éloignant du moteur. Vous devrez peut-être tirer fortement. Faites basculer le couvercle du filtre vers la droite (Fig. 18).
2. Retirez le filtre à air de l'intérieur du couvercle du filtre (Fig. 18).
3. Nettoyez le filtre à air avec de l'eau et du détergent. Rincez le filtre soigneusement et laissez-le sécher.
4. Appliquez une légère couche d'huile SAE 30 propre sur le filtre à air.
5. Pressez le filtre à air pour répartir et éliminer l'excès d'huile.
6. Réinstallez le filtre à air à l'intérieur du couvercle (Fig. 18).

REMARQUE : Toute utilisation de l'appareil en l'absence du filtre à air et de son couvercle ANNULERA la garantie.

7. Fermez le couvercle du filtre à air : basculez le couvercle du filtre vers la gauche et appuyez dessus jusqu'à ce que la patte de verrouillage s'enclenche en position fermée (Fig. 18).

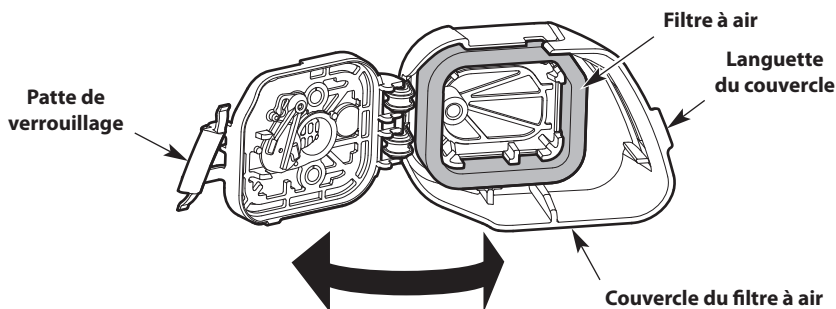


Fig. 18

RÉGLAGE DU RALENTI



AVERTISSEMENT : La tête de coupe tourne pendant les réglages de ralenti. Portez des vêtements de protection et respectez toutes les consignes de sécurité pour éviter toute blessure grave.

Si le moteur ne tourne pas correctement au ralenti :

1. Démarrez le moteur. Consultez les sections *Mise en marche et Arrêt*.
2. Relâchez la manette des gaz et laissez le moteur tourner au ralenti.
 - Si le moteur s'arrête, augmentez le régime de ralenti. Utilisez un petit tournevis cruciforme pour tourner la vis de ralenti vers la droite, de 1/8 de tour à la fois, et ce, jusqu'à ce que le moteur tourne bien au ralenti (Fig. 19).

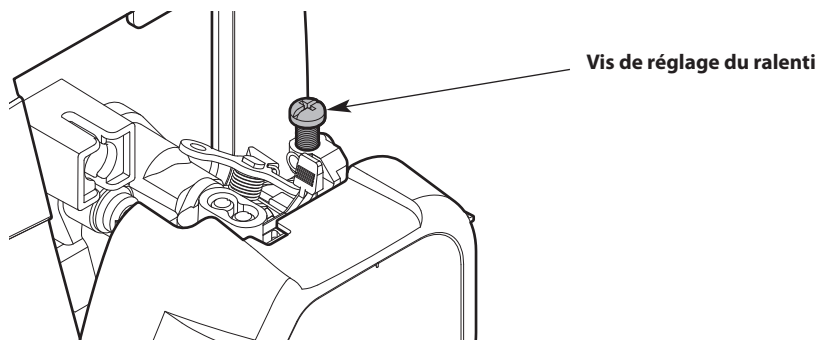


Fig. 19

ENTRETIEN DE LA BOUGIE



AVERTISSEMENT : Ne sablez pas, ne grattez pas ou ne nettoyez pas les électrodes de la bougie. La présence de grenailles dans le moteur pourrait endommager le cylindre.

1. Arrêtez le moteur et laissez-le refroidir. Saisissez fermement le chapeau de la bougie et retirez-le de la bougie.
2. Nettoyez tout autour de la bougie. Retirez la bougie de la culasse avec une douille de 16 mm (5/8 po.), en tournant dans le sens horaire inverse.
3. Inspectez la bougie. Si la bougie est fissurée ou encrassée, remplacez-la par :
 - **États-Unis :** une pièce de rechange n°753-06847, une bougie **Champion RDJ7J** ou équivalent.
 - **Canada :** une pièce de rechange n°794-00097, une bougie **Champion QDJ7J** ou équivalent.
4. Utilisez une jauge d'épaisseur pour régler l'écartement à **0,635 mm (0,025 po.)** (Fig. 20).
5. Installez la bougie dans la culasse. Serrez la bougie avec une douille de 16 mm (5/8 po.) en tournant dans le sens horaire jusqu'à ce qu'elle soit juste serrée.

REMARQUE : Si vous utilisez une clé dynamométrique, serrez à :

12,3-13,5 N·m (110-120 po.-livre). Ne serrez pas de manière excessive.

6. Refixez le chapeau de la bougie.

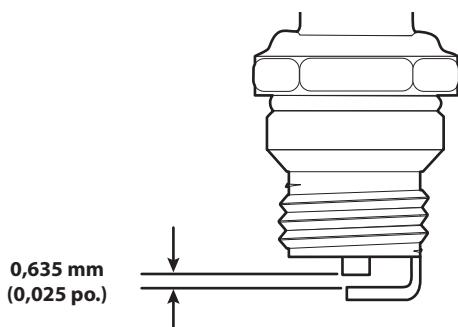


Fig. 20

NETTOYAGE



AVERTISSEMENT : Pour éviter toute blessure grave, arrêtez toujours le moteur et laissez-le refroidir avant de nettoyer ou de procéder à un entretien de l'appareil.

Utilisez une petite brosse pour nettoyer la partie externe de l'appareil. N'utilisez pas un détergent fort. Les produits ménagers contenant des huiles aromatiques, comme le pin et le citron, et les solvants comme le kérosène peuvent endommager le plastique. Essayez toute trace d'humidité avec un chiffon doux.

ENTREPOSAGE

- Ne rangez jamais l'appareil quand le réservoir contient encore de l'essence dont les vapeurs pourraient entrer en contact avec une flamme nue ou une étincelle.
- Laissez le moteur refroidir avant de ranger l'appareil.
- Rangez l'unité dans un endroit fermé à clé pour éviter toute utilisation non autorisée ou tout dommage.
- Rangez l'unité dans un endroit sec et bien aéré.
- Rangez l'appareil hors de portée des enfants.

Entreposage à court terme (1-2 semaines)

1. Rangez l'unité en position horizontale. En cas d'impossibilité, rangez l'appareil à la verticale, le moteur étant au sommet.

Entreposage de longue durée

1. Retirez le bouchon du réservoir d'essence, basculez l'appareil et vidangez le carburant dans un bidon approprié. Revissez le bouchon du réservoir.
2. Démarrez le moteur et laissez-le tourner jusqu'à ce qu'il cale. Ainsi, le carburateur sera totalement vidé de tout carburant.
3. Laissez le moteur refroidir. Retirez la bougie et versez dans le cylindre 5 gouttes d'une huile de moteur de haute qualité ou d'une huile pour moteur à 2 temps. Tirez lentement sur le câble de démarreur pour répartir l'huile. Réinstallez la bougie.
4. Nettoyez soigneusement l'appareil et vérifiez la présence de pièces desserrées ou endommagées. Réparez ou remplacez les éléments endommagés, et serrez les vis, les écrous ou les boulons desserrés.

Préparation de l'appareil après un entreposage de longue durée

1. Retirez la bougie d'allumage. Basculez l'appareil et vidangez toute l'huile du cylindre dans un récipient approuvé. Réinstallez la bougie.

REMARQUE : N'utilisez pas un carburant qui a été entreposé pendant plus de 30 jours. Jetez l'huile et l'essence usagées conformément à la réglementation fédérale, provinciale et locale.

DÉPANNAGE

PROBLÈME	SOLUTION
LE MOTEUR NE DÉMARRE PAS	
Le réservoir de carburant est vide	Remplissez le réservoir avec un carburant correctement mélangé
La poire d'amorçage n'a pas été comprimée suffisamment	Appuyez sur la poire à 10 reprises ou jusqu'à l'apparition du carburant
Le moteur est noyé	Déplacez le levier de l'étrangleur en Position 3, appuyez sur la manette des gaz et tirez sur la corde de démarrage jusqu'à ce que le moteur démarre
Le carburant est vieux (plus de 30 jours) et/ou mal mélangé	Vidangez le réservoir et ajoutez un mélange de carburant correct et neuf
La bougie est encrassée	Remplacez la bougie

LE MOTEUR NE SE MET PAS AU RALENTI	
Le filtre à air est sale	Nettoyez ou remplacez le filtre à air
Le carburant est vieux (plus de 30 jours) et/ou mal mélangé	Vidangez le réservoir et ajoutez un mélange de carburant correct et neuf
Le ralenti est mal réglé	Réglez le ralenti

LE MOTEUR N'ACCÉLÈRE PAS	
Le carburant est vieux (plus de 30 jours) et/ou mal mélangé	Vidangez le réservoir et ajoutez un mélange de carburant correct et neuf
La tête de coupe est engorgée d'herbe	Arrêtez le moteur et nettoyez la tête de coupe
Le filtre à air est sale	Nettoyez ou remplacez le filtre à air

LE MOTEUR MANQUE DE PUISSANCE OU CALE	
Le carburant est vieux (plus de 30 jours) et/ou mal mélangé	Vidangez le réservoir et ajoutez un mélange de carburant correct et neuf
Le filtre à air est sale	Nettoyez ou remplacez le filtre à air
La bougie est encrassée	Remplacez la bougie

PROBLÈME	SOLUTION
----------	----------

LA TÊTE DE COUPE NE FAIT PAS AVANCER LE FIL (POUR LES TÊTES DE BUTÉE UNIQUEMENT)	
La tête de coupe est engorgée d'herbe	Arrêtez le moteur et nettoyez la tête de coupe
Il n'y a plus de fil dans la tête de coupe	Rechargez la tête de coupe avec du fil neuf
Le moulinet est bloqué	Rembobinez le fil
La tête de coupe est sale	Nettoyez le moulinet et la bobine extérieure
Le fil est soudé	Ouvrez la tête de coupe et retirez la partie soudée
Le fil est tordu	Rembobinez le fil
La quantité de fil exposé est insuffisante	Arrêtez l'appareil, appuyez sur le bouton de butée et tirez sur le fil jusqu'à sortir 102 mm (4 po.) de la tête de coupe

LE FIL DE COUPE AVANCE DE MANIÈRE INCONTRÔLÉE (POUR LES TÊTES DE BUTÉE UNIQUEMENT)	
La tête de coupe est couverte d'huile, d'un nettoyant ou d'un lubrifiant	Nettoyez et séchez soigneusement la tête de coupe

Si une assistance supplémentaire est nécessaire, communiquer avec un atelier de réparation agréé.

REMARQUES

ÍNDICE

- Seguridad 62
- Conozca su unidad 70
- Especificaciones 71
- Ensamblaje 71
- Aceite y combustible 77
- Arranque y parada 79
- Operación 81
- Mantenimiento 84
- Limpieza y almacenamiento 87
- Solución de problemas 88

Toda la información, las ilustraciones y las especificaciones contenidas en este manual se basan en la información más reciente disponible en el momento de impresión del manual. Nos reservamos el derecho de hacer cambios en cualquier momento sin aviso previo.

El producto puede variar ligeramente de las ilustraciones contenidas en este manual.

NOTA: Este manual del operador cubre múltiples modelos. Las características pueden variar según los modelos. No todas las características de este manual son aplicables a todos los modelos. El modelo descrito puede diferir del suyo.

SEGURIDAD

El objetivo de los símbolos de seguridad es dirigir su atención hacia posibles peligros. Los símbolos de seguridad, así como sus explicaciones, necesitan su atención y comprensión completas. Las advertencias de seguridad no eliminan por sí mismas ningún peligro. Las instrucciones o advertencias que contienen no reemplazan a las medidas adecuadas de prevención de accidentes.

SÍMBOLOS	SIGNIFICADO
----------	-------------



PELIGRO: Indica un peligro EXTREMO.

Si no se respeta un símbolo de seguridad de **PELIGRO** usted mismo u otras personas sufrirán lesiones graves o la muerte.



ADVERTENCIA: Indica un peligro GRAVE.

Si no se respeta un símbolo de **ADVERTENCIA** de seguridad usted mismo u otras personas **PUEDEN** sufrir lesiones graves.



PRECAUCIÓN: Indica un peligro de GRAVEDAD MODERADA.

Si no se respeta un símbolo de seguridad de **PRECAUCIÓN** usted mismo u otras personas **PUEDEN** sufrir lesiones o se **PUEDEN** producir daños materiales.

NOTA: Proporciona información o instrucciones de vital importancia para el funcionamiento o el mantenimiento del equipo.

NOTA SOBRE EL AMORTIGUADOR DE CHISPAS

NOTA: Para usuarios de los territorios de bosques de EE. UU. y de los estados de California, Maine, Oregon y Washington. Todos los territorios de bosques de EE. UU. y los estados de California (Códigos de Recursos Públicos 4442 y 4443), Oregon y Washington exigen por ley, que determinados motores de combustión interna que se operan en zonas cubiertas por malezas de bosque y/o hierbas cuenten con un amortiguador de chispas que se deberá mantener en condiciones de uso adecuadas o que el motor se diseñe, equipe y mantenga para prevenir incendios. Corrobore con las autoridades estatales o locales cuáles son las normativas correspondientes a dichas exigencias. El incumplimiento de dichos requerimientos podría generarle una responsabilidad o una multa. **La presente unidad se equipa en la fábrica con un amortiguador de chispas.** Si requiere reemplazo, póngase en contacto con su representante local de servicio para instalar el conjunto de silenciador adecuado.

Lea el manual del operador y siga todas las advertencias e instrucciones de seguridad. Si no lo hace, el operador y/o los observadores pueden sufrir lesiones graves.

• INSTRUCCIONES DE SEGURIDAD IMPORTANTES •

LEA TODAS LAS INSTRUCCIONES ANTES DE USAR LA UNIDAD



ADVERTENCIA: Se deben respetar todas las instrucciones de seguridad al usar la unidad. Por favor, lea estas instrucciones antes de utilizar la unidad para garantizar la seguridad del operador y los observadores. Por favor, guarde estas instrucciones para su uso posterior.

- Lea las instrucciones con atención. Debe familiarizarse con los controles y con el uso apropiado de la unidad. Sepa cómo detener la unidad y desconectar los controles rápidamente.
- Manténgase alerta. No opere esta unidad si está cansado, enfermo o bajo la influencia de alcohol, drogas o medicamentos.
- Nunca permita a los niños operar la unidad. Los adolescentes deben ser entrenados, acompañados y supervisados por un adulto. Nunca permita a los adultos operar la unidad sin las instrucciones adecuadas.
- Se deben instalar correctamente todos los protectores y accesorios de seguridad antes de operar la unidad.
- Inspeccione la unidad antes de usarla. Verifique si hay piezas dañadas. Compruebe si hay pérdidas de combustible. Compruebe que todas las piezas funcionen correctamente. Compruebe que todas las sujeciones estén en su lugar y bien ajustadas. Compruebe que todas las piezas móviles queden adecuadamente alineadas y no se atasquen. Reemplace las piezas que estén agrietadas, astilladas o dañadas de cualquier manera. Haga reparar o reemplazar por un centro de servicio técnico autorizado todas las piezas que estén dañadas o que no funcionen adecuadamente. No utilice la unidad si hay piezas sueltas o dañadas.
- Tenga en cuenta el riesgo de lesiones en la cabeza, las manos y los pies.
- Inspeccione el área con atención antes de arrancar la unidad. Extraiga las rocas, los vidrios rotos, los clavos, los cables, cordeles y demás objetos que podrían ser arrojados o enredarse en la unidad.
- Despeje la zona de niños, observadores y mascotas; manténgalos fuera de un radio de 50 pies (15 m), como mínimo. Incluso a esa distancia, sigue el riesgo de ser alcanzados por los objetos arrojados por el aire. Sugíérales a los observadores que usen protección ocular. Si alguien se le aproxima, detenga la unidad de inmediato.
- Apriete el control del acelerador y verifique que vuelva automáticamente a la posición de ralentí. Realice todos los ajustes o las reparaciones antes de usar la unidad.
- No cambie la configuración del regulador del motor ni acelere demasiado el motor.
- Esta unidad está diseñada para uso ocasional, para el hogar únicamente.

ADVERTENCIAS DE SEGURIDAD PARA LAS UNIDADES A GASOLINA



ADVERTENCIA: La gasolina es sumamente inflamable y sus vapores pueden explotar si se encienden. Adopte las siguientes precauciones:

- Almacene el combustible únicamente en recipientes diseñados específicamente y aprobados para el almacenamiento de dichos materiales.
- Detenga siempre el motor y déjelo enfriar antes de llenar el depósito. Nunca retire la tapa del depósito de combustible ni agregue combustible cuando el motor esté caliente. Afloje siempre lentamente la tapa del depósito de combustible para descargar la presión que haya en el depósito antes de recargar combustible.
- Mezcle y agregue siempre combustible en una zona al aire libre, limpia y bien ventilada, en la que no haya chispas ni llamas. NO fume.
- Nunca opere la unidad si la tapa del combustible no está bien sujeta en su lugar.
- Evite que se genere una fuente de encendido para el combustible derramado. Limpie de inmediato el combustible derramado de la unidad, antes de encenderla. Mueva la unidad al menos 30 pies (9.1m) de la fuente de combustible y del sitio antes de arrancar el motor. NO fume.
- Nunca arranque ni use la unidad dentro de una habitación o de una construcción cerrada. La inhalación de humos de escape puede ser mortal. Opere esta unidad únicamente en una zona bien ventilada, al aire libre.

DURANTE LA OPERACIÓN

- Utilice anteojos o antiparras de seguridad que cumplan con las normas ANSI / ISEA Z87.1 vigentes y que tengan la identificación correspondiente. Utilice una protección auditiva al operar esta unidad. Utilice una máscara facial o para polvos si la máquina levanta polvo durante su funcionamiento.
- Use pantalones largos y gruesos, botas, guantes y camisa de mangas largas. No use ropa holgada, alhajas, pantalones cortos, sandalias ni ande descalzo. Sujétese el cabello a nivel de los hombros.
- Ajuste la manija para que brinde el mejor agarre, si corresponde.
- Use la unidad solamente con luz de día o con una buena luz artificial.
- Evite arranques accidentales. Permanezca en la posición de arranque siempre que tire de la cuerda de arranque. El operador y la unidad deben estar en una posición estable durante el arranque. Consulte *Arranque y Parada*.
- Utilice la herramienta apropiada. Use esta herramienta sólo para el propósito para el que fue diseñada. Sólo use la unidad como se indica en este manual.
- Sostenga siempre la unidad con ambas manos durante la operación. Sostenga firmemente ambas manijas o empuñaduras.

- No se extienda demasiado. Siempre debe estar bien afirmado y mantener el equilibrio adecuado. Tenga cuidado al trabajar sobre escalinatas, cuestas empinadas o pendientes. Para evitar lesiones graves, no haga funcionar la unidad desde una escalera de mano o un techo.
- Mantenga las manos, el rostro y los pies alejados de todas las piezas móviles. No toque ni intente detener las piezas móviles.
- No toque el motor, el alojamiento del engranaje ni el silenciador. Estas partes se ponen extremadamente calientes por el funcionamiento, incluso después de que se apaga la unidad.
- No opere la unidad a una velocidad mayor a la necesaria para la tarea. No haga funcionar la unidad a alta velocidad cuando no está en uso.
- No exija demasiado a la unidad. Si se usa a la velocidad para la que fue diseñada, realizará un trabajo más eficiente y seguro.
- Apague siempre la unidad cuando la operación se encuentre demorada o cuando la unidad se traslade de un lugar a otro. Compruebe que todas las piezas móviles se detengan completamente.
- Antes de apoyar la unidad, siempre asegúrese de que el motor esté apagado y que todas las piezas móviles se hayan detenido.
- Si la unidad golpea o se enreda con un objeto extraño, detenga la unidad de inmediato. Controle si la unidad está dañada. Si hay daño, no vuelva a arrancar o hacer funcionar la unidad hasta hacerlo arreglar. No utilice la unidad si hay piezas sueltas o dañadas.
- Apague el motor y desconecte la bujía para realizar tareas de mantenimiento o reparación.
- Use sólo piezas de reemplazo y accesorios del fabricante del equipo original (OEM) para esta unidad. Los puede adquirir al distribuidor de servicio autorizado. Si usa cualquier otra pieza o accesorio, el usuario podría lesionarse gravemente o la unidad podría dañarse y se anularía la garantía.
- Mantenga limpia la unidad. Quite con cuidado cualquier resto de vegetación u otros residuos que puedan bloquear las piezas móviles.
- A fin de reducir el riesgo de incendio, reemplace el silenciador y el amortiguador de chispas si están averiados. Mantenga el motor y el silenciador libres de hierbas, hojas y de la acumulación excesiva de grasa o de carbono.
- Si la unidad comienza a vibrar en forma anormal, deténgala de inmediato. Inspeccione la unidad para determinar la causa de la vibración. La vibración por lo general indica que hay algún problema.

SEGURIDAD DE LA DESBROZADORA

- Use únicamente el hilo de recorte que se describe en la sección *Especificaciones* de este manual. Nunca use un hilo, un cable, una cadena o una cuerda de metal reforzados. Podrían separarse y convertirse en proyectiles peligrosos.
- No cambie el cabezal de corte por cuchillas rígidas o de metal. Si lo hace, podría provocar lesiones graves.
- El protector del cabezal de corte siempre debe estar colocado mientras se opera la unidad.

- No utilice la unidad si no están extendidos ambos hilos de recorte y si no está instalado el hilo adecuado. No extienda el hilo de recorte más allá de la longitud del protector.
- El cabezal de corte girará durante los ajustes de la velocidad de ralentí. Utilice vestimenta de protección y respete todas las instrucciones de seguridad para evitar que se produzcan lesiones personales graves.
- Compruebe que el cabezal de corte no esté en contacto con nada antes de poner en marcha la unidad.

OTRAS ADVERTENCIAS DE SEGURIDAD

- El mantenimiento de la unidad debe ser minucioso. Siga todas las instrucciones de mantenimiento de este manual.
- No realice ningún procedimiento de mantenimiento que no figure en este manual. Todas las tareas de reparación, con excepción de los procedimientos de mantenimiento que se describen en este manual, deben ser realizados por un distribuidor de servicio autorizado.
- Nunca extraiga, modifique o deje inoperativo ningún dispositivo de seguridad que venga con la unidad.
- Antes de inspeccionar, mantener, limpiar, guardar, transportar o reemplazar alguna de las piezas en la unidad:
 1. Detenga la unidad. Consulte *Arranque y Parada*.
 2. Asegúrese de que se hayan detenido todas las piezas móviles.
 3. Deje que la unidad se enfríe.
 4. Desconecte el cable de la bujía.
- Sujete la unidad durante el transporte.
- Nunca almacene la unidad con combustible en el depósito, en el interior de una construcción donde las emanaciones puedan alcanzar una llama abierta (luces piloto, etc.) o chispas (interruptores, motores eléctricos, etc.).
- Almacene la unidad en un lugar seco, asegurada o a una altura que evite que se la use sin autorización o se la dañe. Mantenga la unidad lejos del alcance de los niños.
- Nunca rocíe ni arroje chorros de agua ni de ningún otro líquido a la unidad. Mantenga las manijas secas y limpias (sin residuos, aceite ni grasa). Limpie la unidad luego de cada uso. Consulte *Limpieza y almacenamiento*. No utilice solventes o detergentes fuertes.
- Guarde estas instrucciones. Consúltelas con frecuencia y úselas para capacitar a otros usuarios. Si le presta esta unidad a otras personas, también debe prestarles estas instrucciones.










GUARDE ESTAS INSTRUCCIONES



SÍMBOLOS INTERNACIONALES Y DE SEGURIDAD

Este manual del operador describe símbolos de seguridad e internacionales, así como pictogramas, que pueden aparecer en este producto. Lea el manual del operador para obtener información completa sobre seguridad, montaje, funcionamiento, mantenimiento y reparaciones.

SÍMBOLOS SIGNIFICADO

	SÍMBOLO DE ALERTA DE SEGURIDAD Indica peligro, advertencia o precaución. Puede utilizarse junto con otros símbolos o pictogramas.
	LEA EL MANUAL DEL OPERADOR ADVERTENCIA: Lea el (los) manual(es) del operador y cumpla todas las advertencias e instrucciones de seguridad. Si no lo hace, el operador y/o los observadores pueden sufrir lesiones graves.
	UTILICE PROTECCIÓN OCULAR Y AUDITIVA ADVERTENCIA: Los objetos que son arrojados por el aire y los ruidos fuertes pueden provocar graves lesiones oculares y pérdidas de audición. Cuando opere esta unidad, utilice protección ocular que cumpla con las normas ANSI / ISEA Z87.1 vigentes y protectores auditivos. Utilice una máscara que cubra todo el rostro si es necesario.
	UTILICE PROTECCIÓN DE PIES Siempre utilice calzado reforzado, antideslizante, cuando haga funcionar esta unidad.
	UTILICE PROTECCIÓN DE MANOS Siempre utilice guantes reforzados, antideslizantes, cuando manipule esta unidad.
	POSICIÓN DE MANIJA Compruebe que la manija esté ubicada más allá del extremo de la etiqueta de seguridad.
	COMBUSTIBLE SIN PLOMO Utilice siempre combustible limpio, nuevo y sin plomo.
	ACEITE Consulte el manual del operador para conocer el tipo adecuado de aceite.

	<p>NO UTILICE COMBUSTIBLE E85 EN ESTA UNIDAD</p> <p>PRECAUCIÓN: Se ha demostrado que el combustible que contiene más de un 10% de etanol es probable que dañe este motor y anule la garantía.</p>
	<p>APAGADO / ENCENDIDO DE CONTROL DE PARADA</p> <p>ENCENDIDO / ARRANQUE / MARCHA</p>
	<p>APAGADO / ENCENDIDO DE CONTROL DE PARADA</p> <p>APAGADO o PARADA</p>
	<p>BULBO DEL CEBADOR</p> <p>Presione por completo el bulbo del cebador lentamente 10 veces.</p>
	<p>CONTROL DEL ESTRANGULADOR</p> <ol style="list-style-type: none"> 1. Posición FULL (máximo) del estrangulador 2. Posición PARTIAL (parcial) del estrangulador 3. Posición RUN (funcionamiento) del estrangulador
	<p>LOS OBJETOS ARROJADOS PUEDEN PROVOCAR LESIONES GRAVES</p> <p>ADVERTENCIA: Es posible que se arrojen objetos pequeños por el aire a alta velocidad, lo cual puede provocar lesiones.</p>
<p>Min. 50 ft</p>  <p>15 m</p>	<p>MANTENGA ALEJADOS A LOS OBSERVADORES</p> <p>ADVERTENCIA: Mantenga a todos los observadores, especialmente a los niños y las mascotas, al menos a 50 pies (15 m) de la zona de trabajo.</p>
	<p>SUPERFICIE CALIENTE</p> <p>ADVERTENCIA: No toque el silenciador o el cilindro cuando estén calientes. Puede quemarse. Estas piezas se calientan extremadamente durante el funcionamiento. Una vez apagadas, continúan calientes durante un período breve.</p>
	<p>CUCHILLA AFILADA</p> <p>ADVERTENCIA: Hay una cuchilla afilada sobre el protector del cabezal de corte. A fin de evitar lesiones graves, no toque la cuchilla de corte del hilo.</p>

	<p>NO REEMPLAZAR LAS CABEZAS DE CORTE CON CUCHILLAS*</p> <p>ADVERTENCIA: Cuando use un desbrozadora, para evitar lesiones graves, no reemplace el cabezal de corte por cuchillas rígidas o de metal.</p> <p><i>*Esta advertencia no se aplica a las unidades equipadas con cuchillas, como bordeadores y desmalezadoras.</i></p>
	<p>AJUSTE LOS TORNILLOS</p> <p>ADVERTENCIA: Para evitar lesiones graves y daños a la unidad, ajuste bien los tornillos.</p>

CONOZCA SU UNIDAD

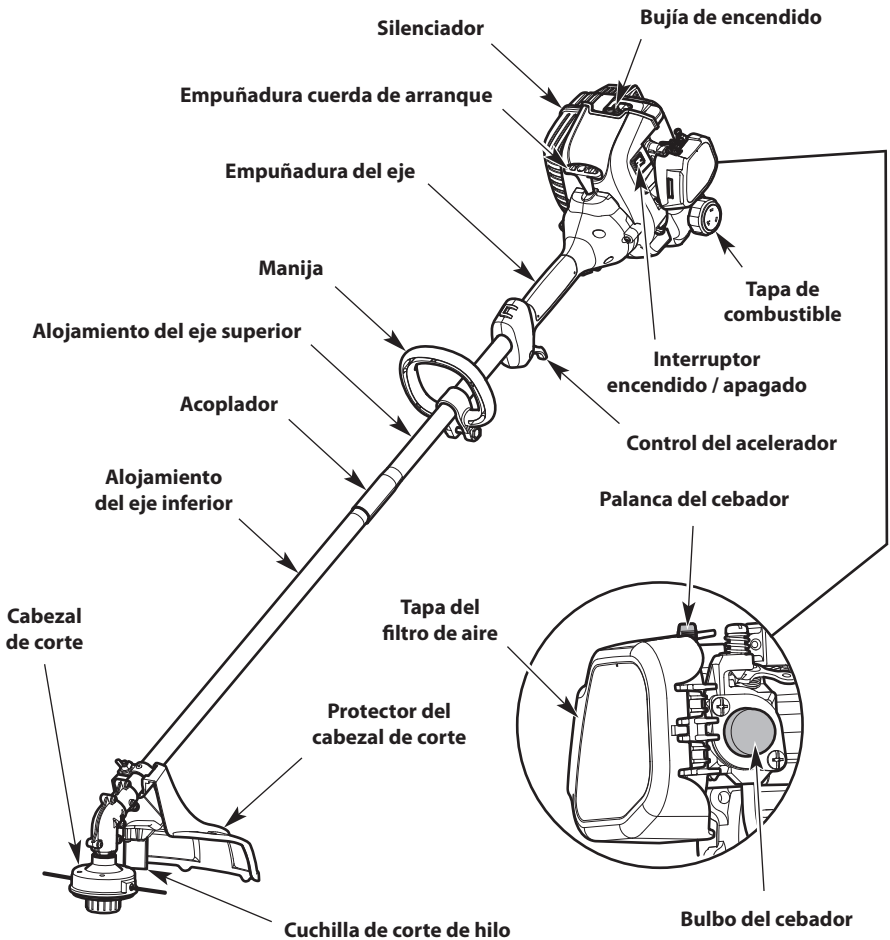
NOTA: El modelo descrito puede diferir del suyo.

APLICACIONES

- Corta hierbas y malezas ligeras.
- Bordeado
- Recorte decorativo alrededor de árboles, vallas, etc.

HERRAMIENTAS NECESARIAS PARA EL ENSAMBLAJE

- Destornillador Phillips n.º 2



ESPECIFICACIONES*

Tipo de motor	Refrigerado por aire, de 2 tiempos
Desplazamiento	25 cc (1.52 pulgadas cúbicas)
Separación de las bujías	0.025 pulgadas (0.635 mm)
Bujía de encendido (Estados Unidos)	Champion® RDJ7J o bujía equivalente
Bujía de encendido (Canadá)	Champion® QDJ7J o bujía equivalente
Lubricación	Mezcla de combustible y aceite
Relación combustible/aceite	40:1
Capacidad del depósito de combustible	8.5 onzas fluidas (251 ml)
Peso aproximado de la unidad (sin combustible) (varía según el modelo)	9.5 - 11.5 libras (4.3 - 5.2 kg)
Mecanismo de recorte (varía según el modelo)	Cabezal de impacto o cabezal de corte de hilo fijo
Diámetro del hilo de recorte (cabezal de impacto)	0.095 pulgadas (2.41 mm)
Línea de Corte (cabezal de corte de hilo fijo) ..	Hilo precortado de 0.095 pulg (2.41 mm) o 0.105 pulg (2.67 mm)
Diámetro de la senda de corte (cabezal de impacto)	16 pulgadas (40.6 cm)
Diámetro de la senda de corte (cabezal de corte de hilo fijo)	14 pulgadas (35.6 cm)

Canada: Este sistema de encendido por chispa cumple con la Directiva Canadiense ICES-002.

* Todas las especificaciones están basadas se basan en la información más reciente sobre el producto disponible al momento de la impresión. Nos reservamos el derecho a realizar cambios en cualquier momento sin previo aviso.

ENSAMBLAJE

INSTALACIÓN DEL PROTECTOR DEL CABEZAL DE CORTE

(Para unidades de eje curvo)



ADVERTENCIA: A fin de evitar que se produzcan lesiones personales graves, no opere nunca la unidad sin el protector del cabezal de corte en su lugar.

1. Extraiga la tuerca de mariposa y la arandela del protector del cabezal de corte.
2. Inserte la lengüeta corta (la que no tiene orificio) en el soporte de montaje dentro de la ranura del protector del cabezal de corte (Fig. 1).
3. Rote el protector del cabezal de corte en el sentido contrario a las agujas del reloj para alinear el orificio del protector del cabezal de corte con el orificio del soporte de montaje (Fig. 1).
4. Inserte el perno cuadrado dentro del orificio que está debajo del protector del cabezal de corte (Fig. 2) Oprima el perno cuadrado para que pase a través del protector del cabezal de corte y el soporte de montaje.
5. Coloque la arandela sobre el perno cuadrado (Fig. 2).
6. Atornille la tuerca de aleta en el perno cuadrado hasta que el protector del cabezal de corte quede firme en su lugar (Fig. 2).

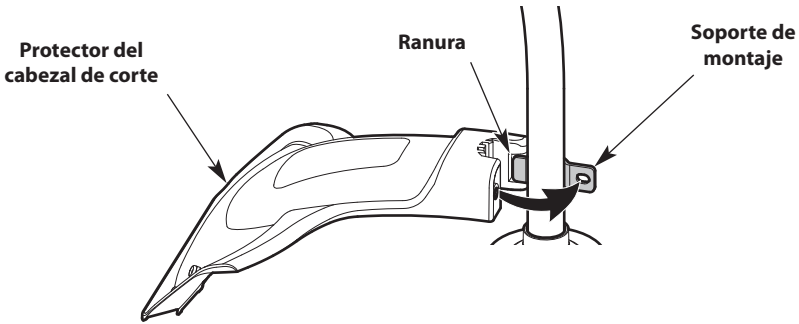


Fig. 1

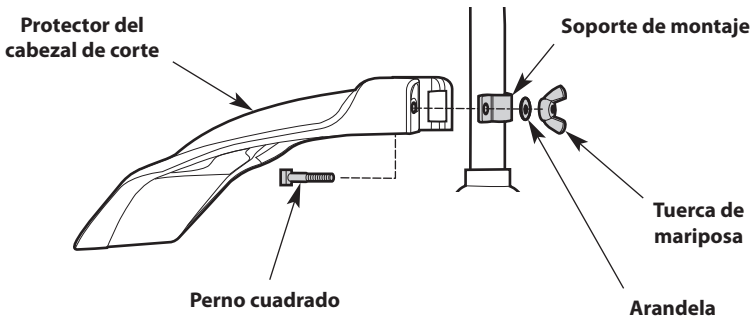


Fig. 2

INSTALACIÓN DEL PROTECTOR DEL CABEZAL DE CORTE

(Para unidades de eje recto)



ADVERTENCIA: A fin de evitar que se produzcan lesiones personales graves, no opere nunca la unidad sin el protector del cabezal de corte en su lugar.

1. Extraiga la tuerca de mariposa y la arandela del protector del cabezal de corte.
2. Inserte la lengüeta corta (la que no tiene orificio) en el soporte de montaje dentro de la ranura del protector del cabezal de corte (Fig. 3).
3. Rote el protector del cabezal de corte hasta que el perno en el protector del cabezal de corte sobresalga a través del orificio del soporte de montaje (Fig. 3).
4. Coloque una arandela sobre el perno (Fig. 4).
5. Atornille la tuerca mariposa sobre el perno hasta que el protector del cabezal de corte esté firmemente colocado en su lugar (Fig. 4).

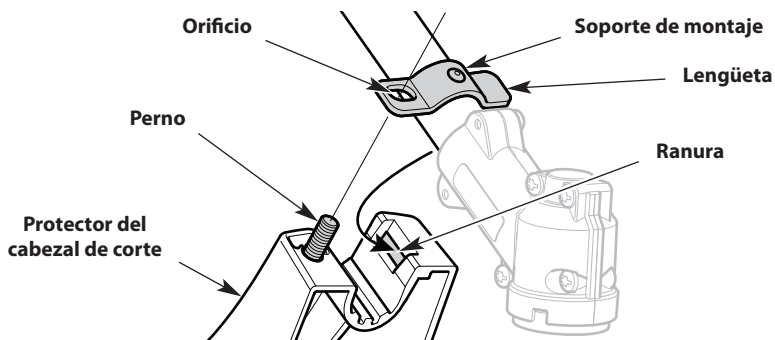


Fig. 3

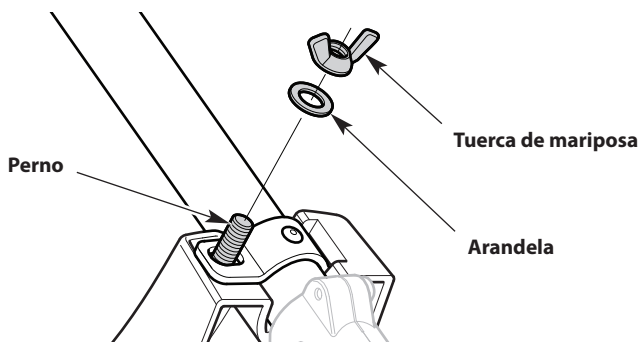


Fig. 4

CONEXIÓN DEL EJE SUPERIOR E INFERIOR

1. Coloque la unidad en una superficie plana y nivelada.
2. Invierta el segmento superior de la unidad. Los orificios del acople deben quedar hacia arriba (Fig. 5).
3. Invierta el segmento inferior de la unidad. Los orificios del alojamiento del eje inferior deben quedar hacia arriba (Fig. 5).
4. Empuje el alojamiento del eje inferior dentro del acople (Fig. 5). Los orificios del alojamiento deben estar alineados con los orificios del acople (Fig. 6).

SI... El alojamiento del eje inferior no entra completamente en el acople y los orificios no están alineados, retire el alojamiento del eje inferior, gire ligeramente el cabezal de corte (1/8 de vuelta) y repita el paso 4 (Fig. 7).

5. Inserte los tornillos (x2) en los orificios alineados (Fig. 6).
6. Ajuste bien los tornillos con un destornillador Phillips N°2.



ADVERTENCIA: Para evitar lesiones personales graves o daños a la unidad, verifique siempre que los tornillos estén bien apretados antes de cada uso.

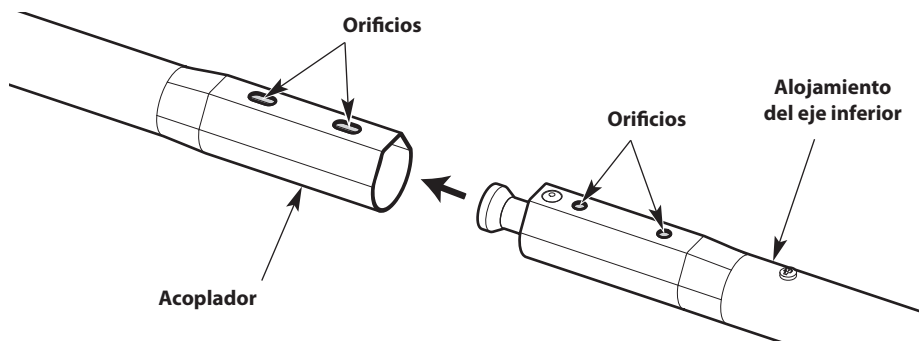


Fig. 5

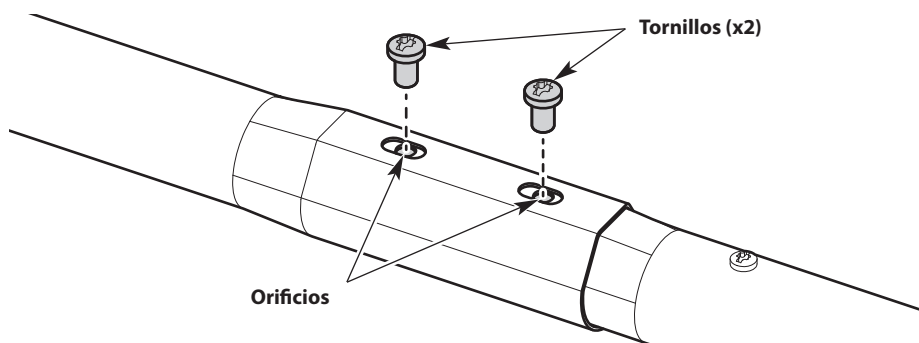


Fig. 6

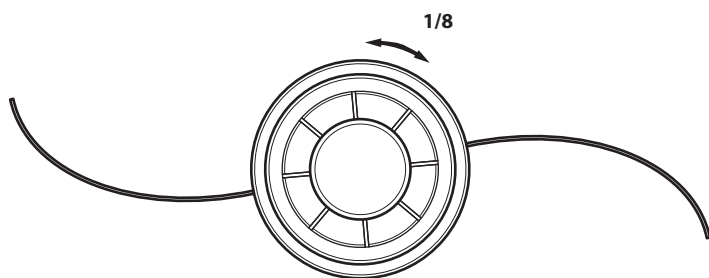


Fig. 7

MONTAJE DE LA MANIJA

Siga las instrucciones que se aplican a la manija incluida con la unidad. Consulte *Instalación y ajuste de la manija*.

INSTALACIÓN Y AJUSTE DE LA MANIJA

(Tipo de manija A)

Instalación de la manija

1. Oprima la manija hacia abajo sobre el alojamiento del eje superior (Fig. 8). Asegúrese de que el orificio del perno hexagonal mire hacia la izquierda (Fig. 8).
2. Inserte el perno en el orificio del perno hexagonal y presione para que pase a través de él (Fig. 9). Coloque la arandela en el perno (Fig. 9). Enrosque la tuerca de mariposa en el perno, pero no la ajuste completamente (Fig. 9).
3. Mantenga la unidad en la posición de funcionamiento (Fig. 15). Mueva la manija hacia arriba o abajo del alojamiento del eje superior hasta que esté en una posición cómoda (Fig. 9). Compruebe que la manija esté ubicada más allá del extremo de la etiqueta de seguridad (Fig. 9).
4. Apriete la tuerca de mariposa hasta que la manija quede segura.

Ajuste de la manija

Si la manija requiere ajustes:

1. Afloje la tuerca de mariposa (Fig. 9).
2. Mantenga la unidad en la posición de funcionamiento (Fig. 15). Mueva la manija hacia arriba o abajo del alojamiento del eje superior hasta que esté en una posición cómoda (Fig. 9). Compruebe que la manija esté ubicada más allá del extremo de la etiqueta de seguridad (Fig. 9).
3. Apriete la tuerca de mariposa hasta que la manija quede segura.

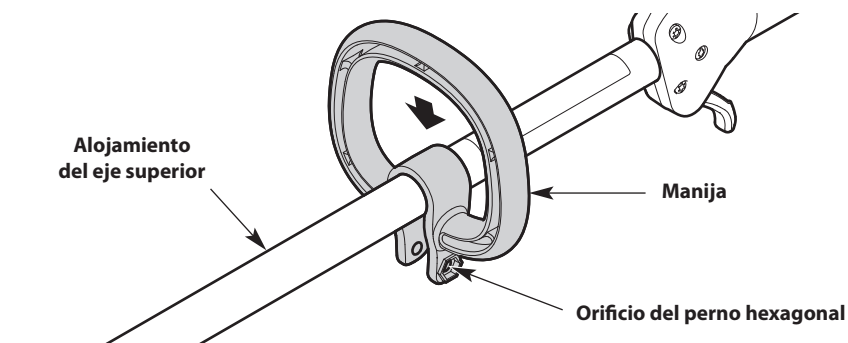


Fig. 8

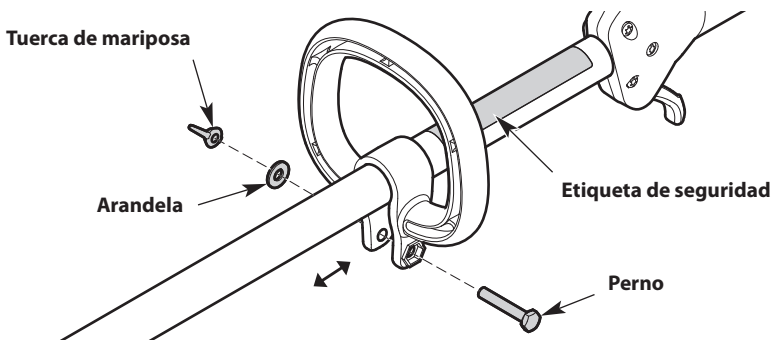


Fig. 9

INSTALACIÓN Y AJUSTE DE LA MANIJA

(Tipo de manija B)

Instalación de la manija

1. Oprima la manija hacia abajo sobre el alojamiento del eje superior (Fig. 10). Asegúrese de que el orificio del perno mire hacia la derecha (Fig. 10).
2. Inserte el perno en el orificio del perno y oprímalo para que pase a través de él (Fig. 10). Ajuste el perno con un destornillador de cabeza plana, pero no lo ajuste completamente.
3. Mantenga la unidad en la posición de funcionamiento (Fig. 15). Mueva la manija hacia arriba o abajo del alojamiento del eje superior hasta que esté en una posición cómoda (Fig. 10). Compruebe que la manija esté ubicada más allá del extremo de la etiqueta de seguridad (Fig. 10).
4. Ajuste el perno con un destornillador de cabeza plana hasta que la manija quede segura.

Ajuste de la manija

Si la manija requiere ajustes:

1. Afloje el perno con un destornillador de cabeza plana (Fig. 10).
2. Mantenga la unidad en la posición de funcionamiento (Fig. 15). Mueva la manija hacia arriba o abajo del alojamiento del eje superior hasta que esté en una posición cómoda (Fig. 10). Compruebe que la manija esté ubicada más allá del extremo de la etiqueta de seguridad (Fig. 10).
3. Ajuste el perno con un destornillador de cabeza plana hasta que la manija quede segura.

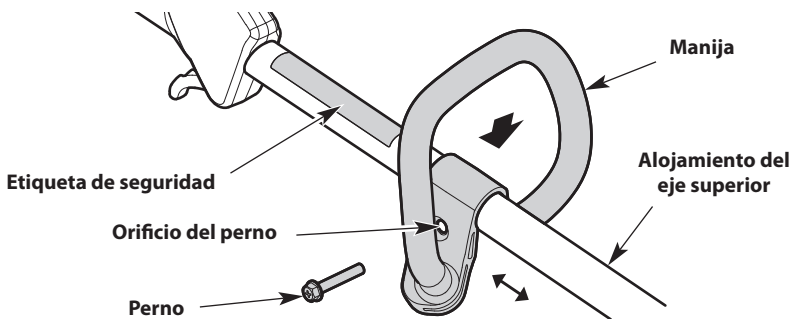


Fig. 10

INSTRUCCIONES PARA LA MEZCLA DEL ACEITE Y EL COMBUSTIBLE

El uso de combustible viejo y/o mal mezclado es la causa más frecuente de los problemas de rendimiento. Sólo se debe utilizar gasolina nueva, limpia y sin plomo. Siga atentamente las instrucciones para que la mezcla de gasolina/aceite sea adecuada.

Definición de combustibles mezclados

Actualmente los combustibles con frecuencia son una mezcla de gasolina y oxigenatos como etanol, metanol o éter (éter metílico terciario-butílico, MTBE). Los combustibles con mezcla de alcohol absorben el agua. Con tan solo un 1% de agua en el combustible es posible que el combustible y el aceite se separen, formando ácidos cuando se almacenan. SIEMPRE debe usar combustible nuevo (con menos de 30 días de antigüedad).

NOTA: Deseche el combustible usado de acuerdo con las normativas federales, estatales y locales.

Uso de combustibles mezclados

Si utiliza un combustible mezclado:

- Utilice siempre la mezcla de combustible nueva según se explica en este manual del operador
- Use un aditivo para combustible
- Agite siempre la mezcla de combustible antes de recargar combustible en la unidad



PRECAUCIÓN: NO UTILICE COMBUSTIBLE E85 EN ESTA UNIDAD.

Se ha demostrado que el combustible que contiene más de un 10% de etanol es probable que dañe este motor y anule la garantía.

Uso de aditivos para el combustible

El recipiente de aceite de 2 ciclos que se suministra con esta unidad contiene un aditivo para combustible que ayuda a inhibir la corrosión y minimiza la formación de depósitos de goma. Utilice siempre la marca de aceite de 2 ciclos que vino con esta unidad. Si no está disponible, utilice un aceite de 2 ciclos que esté diseñado para motores enfriados por aire y mézclelo con un aditivo para combustible. Agregue 0.8 onzas (23 ml) de aditivo para combustible por galón de combustible según las instrucciones del recipiente. NUNCA agregue aditivos para el combustible directamente al depósito de combustible de la unidad.


Mezcla del combustible

NOTA: La presente unidad viene con un recipiente de 3.2 onzas (95 ml) de aceite de 2 ciclos. Para obtener la mezcla de combustible correcta que se describe a continuación, vierta todo el recipiente dentro de un galón de gasolina sin plomo.






PRECAUCIÓN: Para el funcionamiento correcto del motor y la máxima confiabilidad, preste mucha atención y siga estrictamente las instrucciones para la mezcla de la gasolina y el aceite que figuran en el recipiente de aceite de 2 ciclos. El uso de combustible que se mezcló incorrectamente puede dañar gravemente el motor.

Mezcle completamente la proporción adecuada de gasolina sin plomo con el aceite para motor de 2 ciclos. No los mezcle directamente en el depósito de combustible de la unidad. Use una lata de combustible separada. Utilice una proporción de 40:1 de gasolina/aceite. Consulte la tabla a continuación para conocer las proporciones específicas para mezclar la gasolina y el aceite.

	
Gasolina sin plomo	Aceite de 2 ciclos
1 galón EE. UU. (3.8 litros)	3.2 onzas líquidas (95 ml)
1 liter	25 ml

PROPORCIÓN DE LA MEZCLA - 40:1

CARGA DE COMBUSTIBLE EN LA UNIDAD

	ADVERTENCIA: La gasolina es extremadamente inflamable. Los vapores encendidos pueden explotar. Detenga siempre el motor y déjelo enfriar antes de llenar el depósito de combustible. No fume mientras llena el depósito. Mantenga las chispas y llamas abiertas a una distancia de la zona.
	ADVERTENCIA: Retire la tapa del combustible lentamente a fin de evitar lesiones ocasionadas por salpicaduras de combustible. Nunca opere la unidad si la tapa del combustible no está bien sujeta en su lugar.
	ADVERTENCIA: Agregue combustible en una zona al aire libre, limpia y bien ventilada. Limpie de inmediato la gasolina que se haya derramado. Evite que se genere una fuente de encendido para el combustible derramado. No arranque el motor hasta que se hayan disipado los vapores del combustible.

1. Ubique la unidad con la tapa del combustible orientada hacia arriba.
2. Extraiga lentamente la tapa de combustible.
3. Ubique el pico del recipiente de combustible dentro del orificio de llenado del depósito de combustible y llene el depósito.

NOTA: **NO** llene en exceso el depósito de combustible.

4. Limpie el combustible que se pueda haber derramado.
5. Vuelva a colocar la tapa del combustible.
6. Mueva la unidad al menos 30 pies (9.1m) del recipiente de combustible y del sitio de carga de combustible antes de arrancar el motor.

ARRANQUE Y PARADA



ADVERTENCIA: Opere esta unidad únicamente en una zona bien ventilada, al aire libre. Los humos de escape de monóxido de carbono pueden ser mortales en un lugar cerrado.



ADVERTENCIA: Se debe evitar arrancar accidentalmente la unidad. A fin de evitar que se produzcan lesiones graves, el operador y la unidad deben estar en una posición estable cuando se jala la cuerda de arranque (Fig. 14).



ADVERTENCIA: El cabezal de corte girará durante el procedimiento de arranque. Utilice vestimenta de protección y respete todas las instrucciones de seguridad para evitar que se produzcan lesiones personales graves.

INSTRUCCIONES DE ARRANQUE

NOTA: No es necesario encender la unidad. El interruptor de encendido/apagado está en la posición **Encendido (I)** en todo momento (Fig. 11).

Antes de hacer arrancar la unidad

1. Mezcle gasolina con aceite. Consulte las *Instrucciones para la mezcla de aceite y combustible*.
2. Cargue el depósito de combustible. Consulte *Carga de combustible en la unidad*.

Arranque de la unidad

1. Presione y luego suelte el bulbo del cebador lentamente **10 veces** (Fig. 13). Si no puede ver combustible en el bulbo del cebador, oprima y suelte el bulbo del cebador hasta que se vea combustible.
2. Coloque la palanca del estrangulador en la **Posición 1** (Fig. 13).
3. Agacharse en la posición de arranque (Fig. 14).
4. Apriete y mantenga oprimido el control del acelerador (Fig. 12).

NOTA: Continúe **APRETANDO** y **MANTENGA APRETADO** el control del acelerador para **TODOS** los pasos subsiguientes.

5. Tire de la cuerda de arranque con un movimiento firme y controlado **5 veces** (Fig. 14).
6. Coloque la palanca del estrangulador en la **Posición 2** (Fig. 13).
8. Tire de la cuerda de arranque con un movimiento controlado y firme entre **3 y 5 veces** para que arranque el motor.
8. Deje que el motor se caliente durante 30 a 60 segundos.
9. Coloque la palanca del estrangulador en la **Posición 3** (Fig. 13). Deje que el motor se caliente 60 segundos más. Se puede usar la unidad durante este período.

NOTA: El motor se calentó adecuadamente cuando acelera sin problemas.

SI... el motor no funciona de manera uniforme, regrese la palanca del estrangulador a la **Posición 2** y siga calentándolo.

SI... el motor no arranca, repita el procedimiento de arranque.

SI... el motor no arranca al cabo de algunos intentos: Coloque la palanca del estrangulador en la **Posición 3**. Apriete y mantenga apretado el control del acelerador. Tire de la cuerda de arranque con un movimiento controlado y firme hasta que arranque la unidad.

SI... el motor ya está caliente, comience el procedimiento de arranque con el paso 6.

INSTRUCCIONES DE PARADA

1. Suelte el control del acelerador y deje que el motor funcione en ralentí.
2. Oprima y mantenga apretado el interruptor de encendido/apagado en la posición **Apagado (O)** hasta que el motor se pare por completo (Fig. 11).

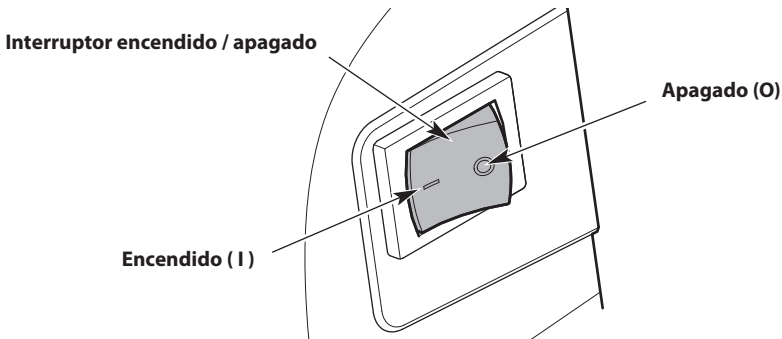


Fig. 11

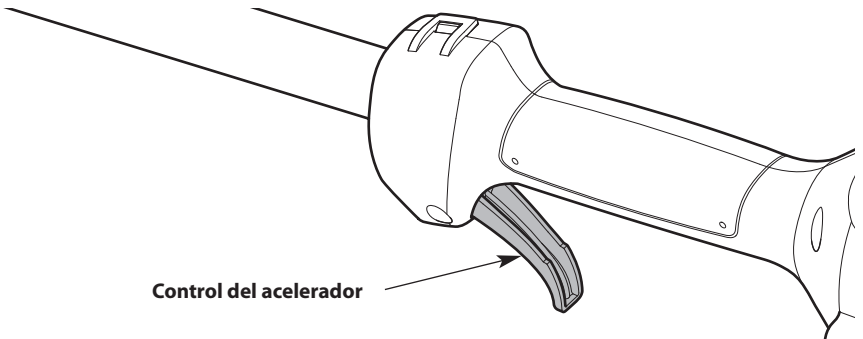
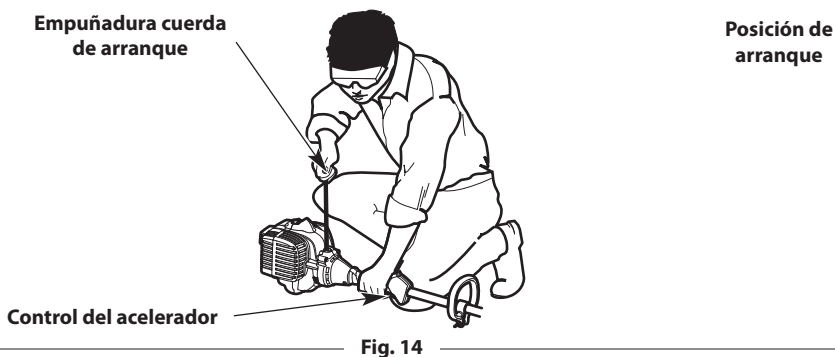
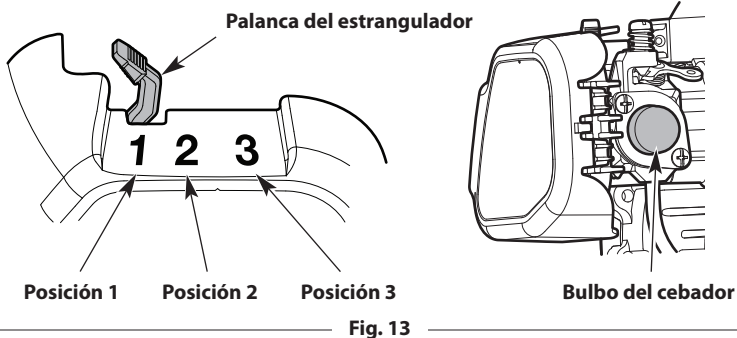


Fig. 12



OPERACIÓN

CÓMO SOSTENER LA UNIDAD



ADVERTENCIA: Utilice siempre protección ocular, auditiva, de manos, pies y corporal para reducir el riesgo de sufrir lesiones durante la operación de esta unidad.



ADVERTENCIA: A fin de evitar lesiones personales graves, evite el contacto del brazo con el motor mientras opere la unidad. El motor puede estar muy caliente.

- Párese en la posición de arranque (Fig. 15). Párese derecho. No se incline sobre el aparato.
- Mantenga los pies alejados y apoyados firmemente sobre el suelo.
- Sujete la empuñadura del eje con la mano derecha. Mantenga el brazo derecho ligeramente doblado.
- Sostenga la manija con la mano izquierda. Mantenga el brazo izquierdo bien derecho.
- Mantenga la unidad al nivel de la cintura.
- Coloque el cabezal de corte a algunas pulgadas del suelo.



Fig. 15

AJUSTAR LA LONGITUD DE LA LÍNEA DE CORTE

(Para unidades con cabezal de impacto)

Si la unidad está equipada con un cabezal de impacto, el hilo de corte se puede liberar del cabezal de corte sin parar el motor. Antes de hacerlo, asegúrese de que el cabezal de corte esté cargado con hilo. Consulte el *Anexo de Reemplazo del hilo*.

Para soltar más línea cuando opera la unidad a alta velocidad, golpee ligeramente la perilla percusiva contra el suelo (Fig. 16). Para obtener mejores resultados, golpee la perilla percusiva sobre terreno limpio o suelo duro. Intentar soltar línea en césped alto podría ahogar el motor.

NOTA: No apoye el cabezal de corte en el piso cuando la unidad esté funcionando.

Cada vez que se golpea la perilla de impacto, se suelta aproximadamente 1 pulgada (25.4 mm) de hilo de recorte.

NOTA: Mantenga siempre la línea de corte completamente extendida. Resulta más difícil soltar línea al acortarse la línea de corte.

Una cuchilla en el protector del cabezal de corte cortará la línea a la longitud correcta si se suelta demasiada línea.



ADVERTENCIA: No quite ni altere el conjunto de la cuchilla de corte de la línea. Una línea demasiado larga hará que el motor se recaliente. Esto puede provocar graves lesiones personales o dañar la unidad.

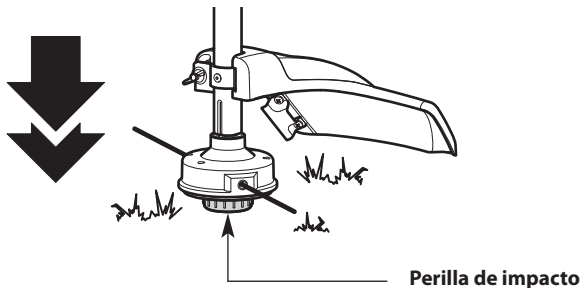


Fig. 16

CONSEJOS PARA OBTENER LOS MEJORES RESULTADOS

- Para la mayoría de las operaciones, realice cortes de lado a lado.
- La dirección hacia la que salgan los recortes de césped dependerá de la rotación del cabezal de corte. Para alejar los recortes del operador:
 - **Rotación en sentido de las agujas del reloj:** Incline levemente el cabezal de corte hacia abajo a la izquierda; corte de derecha a izquierda siempre que sea posible.
 - **Rotación en sentido contrario a las agujas del reloj:** Incline levemente el cabezal de corte hacia abajo a la derecha; corte de izquierda a derecha siempre que sea posible.
- Corte el pasto alto (de más de 20 cm [8 in]) de arriba hacia abajo bajando el cabezal de corte hacia el pasto.
- Corte con la punta del hilo de recorte.
- Corte en pequeños incrementos. Muévase lentamente. No exija demasiado a la unidad.
- No recorte césped o malezas que estén húmedos.

NOTA: El hilo puede romperse:

- Si se enreda con objetos extraños
- Por la fatiga normal del hilo
- Si se intenta cortar plantas gruesas
- Si se empuja el hilo contra objetos como paredes o cercas

RECORTE DECORATIVO

Cuando recorte alrededor de árboles, postes, vallas, etc., rote toda la unidad de manera que el cabezal de corte quede en un ángulo de 30° en relación con el suelo (Fig. 17).

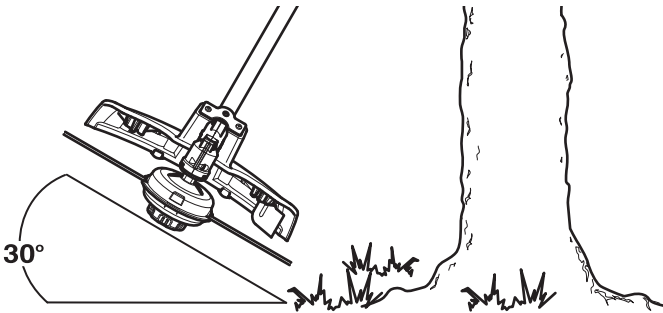


Fig. 17

MANTENIMIENTO



ADVERTENCIA: A fin de evitar lesiones personales graves, siempre pare el motor y deje que se enfríe antes de limpiar o mantener la unidad. No realice ninguna tarea de limpieza o mantenimiento mientras la unidad esté en funcionamiento. Desconecte el cable de la bujía para evitar que la unidad arranque accidentalmente.



ADVERTENCIA: Utilice vestimenta de protección y respete todas las instrucciones de seguridad para evitar que se produzcan lesiones personales graves.

PLAN DE MANTENIMIENTO

Lleve a cabo los procedimientos necesarios de mantenimiento con la frecuencia indicada en la tabla. Estos procedimientos deberán también formar parte de cualquier ajuste de temporada.

NOTA: Es posible que algunos procedimientos de mantenimiento requieran herramientas o habilidades especiales. Si no está seguro acerca de estos procedimientos, lleve la unidad a un distribuidor de servicio autorizado. Consulte el *Suplemento de servicio/garantía* para obtener más información.

NOTA: Los trabajos de mantenimiento, reemplazo o reparación de los dispositivos y los sistemas de control de emisiones puede realizarlos un distribuidor de servicio autorizado. Consulte el *Suplemento de servicio/garantía* para obtener más información.

NOTA: Para ver la lista completa de términos y la cobertura de los dispositivos de control de emisiones como parachispas, silenciador, carburador, etc., lea la declaración de California/ EPA que viene junto con la unidad.

FRECUENCIA	MANTENIMIENTO REQUERIDA
Cada 10 horas	<ul style="list-style-type: none">• Limpie y vuelva a lubricar el filtro de aire. Consulte <i>Mantenimiento del filtro de aire</i>.
Cada 25 horas	<ul style="list-style-type: none">• Controle el estado y la separación de la bujía de encendido. Consulte <i>Mantenimiento de la bujía de encendido</i>.

REEMPLAZO DEL HILO DE RECORTE

Consulte el *Anexo de Reemplazo del hilo* para obtener las instrucciones completas.

MANTENIMIENTO DEL FILTRO DE AIRE

Si no se mantiene el filtro de aire se puede obtener un rendimiento insuficiente o se puede dañar el motor de manera permanente. Las averías del motor ocasionadas por un mantenimiento inadecuado del filtro de aire no están cubiertas por la garantía del producto.

Limpieza del filtro de aire

1. Abra la cubierta del filtro de aire: Enganche sus dedos detrás de la lengüeta de la tapa. Para destrabar la tapa del filtro de aire, jale hacia la izquierda y lejos del motor. Es posible que deba jalar firmemente. Gire la cubierta del filtro de aire hacia la derecha (Fig. 18).
2. Extraiga el filtro de aire del interior de la cubierta del filtro de aire (Fig. 18).
3. Lave el filtro de aire con agua y detergente. Enjuague minuciosamente el filtro de aire y déjelo secar.
4. Cubra el filtro de aire con una capa ligera de aceite SAE 30 limpio.
5. Apriete el filtro de aire para distribuir y eliminar el exceso de aceite.
6. Reinstale el filtro de aire dentro de la cubierta del filtro de aire (Fig. 18).

NOTA: Si se opera la unidad sin el filtro de aire y sin la cubierta del filtro de aire se ANULARÁ la garantía.

7. Cierre la cubierta del filtro de aire: Gire la cubierta del filtro de aire hacia la izquierda y oprímala para cerrarla hasta que la lengüeta de fijación entra a presión en su lugar (Fig. 18).

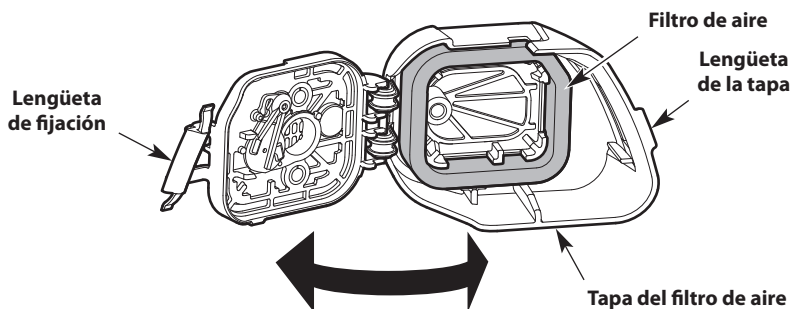


Fig. 18

AJUSTE DE LA VELOCIDAD DE RALENTÍ



ADVERTENCIA: El cabezal de corte girará durante los ajustes de la velocidad de ralentí. Utilice vestimenta de protección y respete todas las instrucciones de seguridad para evitar que se produzcan lesiones personales graves.

Si el motor no funciona al ralentí correctamente:

1. Arranque el motor. Consulte *Arranque y Parada*.
2. Suelte el control del acelerador y deje que el motor funcione en ralentí.
 - Si el motor se para, aumente la velocidad de ralentí. Use un destornillador Phillips pequeño para girar el tornillo de velocidad de ralentí en el sentido de las agujas del reloj, 1/8 de giro cada vez hasta que el motor funciona al ralentí de manera uniforme (Fig. 19).

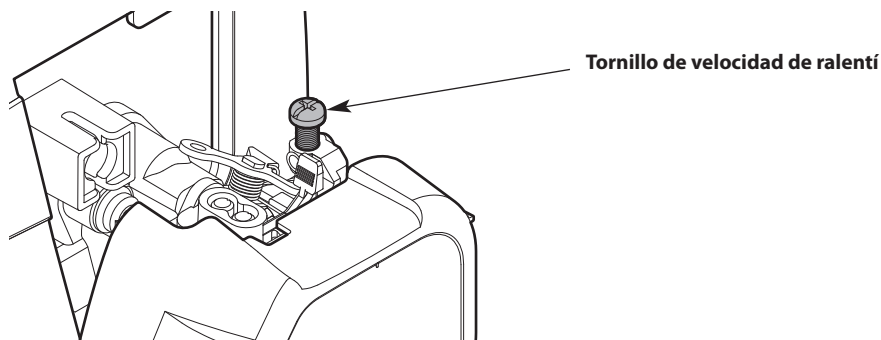


Fig. 19

MANTENIMIENTO DE LA BUJÍA



ADVERTENCIA: No limpie de forma abrasiva ni raspe o limpie los electrodos de las bujías. La presencia de polvo abrasivo en el motor podría dañar el cilindro.

1. Detenga el motor y deje que se enfríe. Sujete con firmeza la funda de la bujía y tire para sacarla de la bujía.
2. Limpie alrededor de la bujía. Retire la bujía de la tapa del cilindro con una llave de cubo de 5/8 pulgadas, girando en sentido contrario a las agujas del reloj.
3. Inspeccione la bujía. Si la bujía está agrietada, averiada o sucia, reemplácela por:
 - **Estados Unidos:** una pieza de reemplazo n.º 753-06847, una **Champion RDJ7J** o una bujía equivalente.
 - **Canadá:** una pieza de reemplazo n.º 794-00097, una **Champion QDJ7J** o una bujía equivalente.
4. Use un calibrador de separación para ajustar una separación de aire de **0.025 pulgadas (0.635 mm)** (Fig. 20).
5. Instale la bujía dentro de la tapa del cilindro. Apriete la bujía con una llave de cubo de 5/8 pulgadas, girando en el sentido de las agujas del reloj hasta que quede ajustada.

NOTA: Si se usa una llave de par, apriete hasta:

110-120 pulgada-libra (12.3-13.5 N·m). No ajuste demasiado.

6. Vuelva a colocar la funda de la bujía.

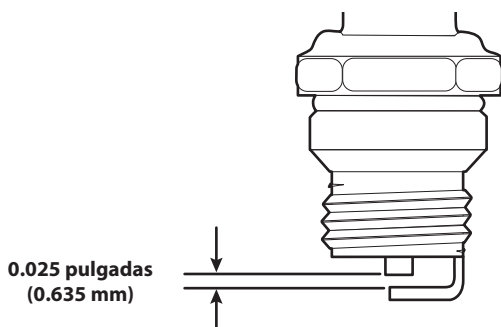


Fig. 20

LIMPIEZA



ADVERTENCIA: A fin de evitar lesiones personales graves, siempre pare el motor y deje que se enfríe antes de limpiar o mantener la unidad.

Use un cepillo pequeño para limpiar el exterior de la unidad. No utilice detergentes fuertes. Los productos de limpieza para el hogar que contienen aceites aromáticos como pino y limón, y los disolventes como el queroseno, pueden dañar el plástico. Limpie todo rastro de humedad con una tela suave.

ALMACENAMIENTO

- Nunca almacene la unidad con combustible en lugares donde las emanaciones pueden alcanzar llamas abiertas o chispas.
- Deje que se enfríe el motor antes de almacenar la unidad.
- Trabe la unidad para evitar que se la utilice sin permiso o que se provoquen daños.
- Almacene la unidad en una zona seca y bien ventilada.
- Almacene la unidad lejos del alcance de los niños.

Almacenamiento a corto plazo (1-2 semanas)

1. Almacene la unidad en posición horizontal. Si esto no es posible, almacene la unidad de manera vertical con el motor arriba.

Almacenamiento a largo plazo

1. Retire la tapa de combustible, incline la unidad y drene el combustible en un recipiente aprobado. Vuelva a colocar la tapa del combustible.
2. Arranque el motor y déjelo correr hasta que se detenga. Esto asegura que todo el combustible se haya drenado del carburador.
3. Deje que el motor se enfríe. Quítele la bujía y eche 5 gotas de cualquier aceite de motor de 2 tiempos de alta calidad en el cilindro. Jale la cuerda de arranque para distribuir el aceite. Coloque nuevamente la bujía.
4. Limpie minuciosamente la unidad e inspeccione si hay alguna pieza suelta o dañada. Repare o reemplace las piezas dañadas y ajuste los tornillos, tuercas o pernos que estén flojos.

Preparación de la unidad para su uso luego del almacenamiento a largo plazo

1. Retire la bujía de encendido. Incline la unidad para drenar todo el aceite del cilindro en un recipiente adecuado. Coloque nuevamente la bujía.

NOTA: No use combustible que haya estado guardado durante más de 30 días. Deseche el combustible viejo y aceite de acuerdo con las normativas federales, estatales y locales.

SOLUCIÓN DE PROBLEMAS

PROBLEMA	SOLUCIÓN
----------	----------

EL MOTOR NO ARRANCA

El tanque de combustible está vacío	Llene el tanque de combustible con la mezcla adecuada
La pera del cebador no se oprimió lo suficiente	Oprima el bulbo del cebador 10 veces o hasta que se vea combustible
El motor está rebosado	Mueva la palanca del estrangulador a la Posición 3, apriete el control del acelerador y tire de la cuerda de arranque hasta que se ponga en marcha el motor
El combustible está viejo (tiene más de 30 días) y/o mal mezclado	Vacíe el tanque de combustible y eche combustible nuevo bien mezclado
La bujía está corroída	Reemplace la bujía

EL MOTOR NO TRABAJA EN VACÍO

El filtro de aire está sucio	Limpie o cambie el filtro de aire
El combustible está viejo (tiene más de 30 días) y/o mal mezclado	Vacíe el tanque de combustible y eche combustible nuevo bien mezclado
La marcha en vacío no es la correcta	Ajuste la velocidad de marcha en vacío

EL MOTOR NO ACELERA

El combustible está viejo (tiene más de 30 días) y/o mal mezclado	Vacíe el tanque de combustible y eche combustible nuevo bien mezclado
El cabezal de corte está atascado de hierba	Apague el motor y limpie el cabezal de corte
El filtro de aire está sucio	Limpie o cambie el filtro de aire

AL MOTOR LE FALTA POTENCIA O SE PARA

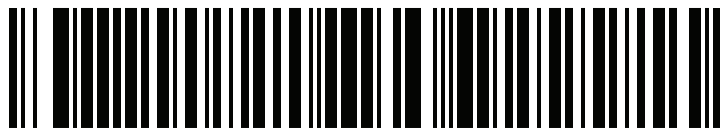
El combustible está viejo (tiene más de 30 días) y/o mal mezclado	Vacíe el tanque de combustible y eche combustible nuevo bien mezclado
El filtro de aire está sucio	Limpie o cambie el filtro de aire
La bujía está corroída	Reemplace la bujía

PROBLEMA	SOLUCIÓN
----------	----------

EL CABEZAL DE CORTE NO HACE AVANZAR EL HILO (SOLO PARA CABEZALES DE IMPACTO)	
El cabezal de corte tiene césped atascado	Pare el motor y limpie el cabezal de corte
El cabezal de corte está desalineado	Recargue hilo nuevo en el cabezal de corte
El carretel interior se traba	Rebobine el hilo
El cabezal de corte está sucio	Limpie el carrete interior y la bobina exterior
El hilo está soldado	Abra el cabezal de corte y extraiga la sección que se haya soldado
El hilo está torcido	Rebobine el hilo
No se extiende hilo suficiente	Pare la unidad, oprima la perilla de impacto y tire del hilo hasta que salgan 4 pulgadas (102 mm) fuera del cabezal de corte

EL HILO DE CORTE AVANZA SIN CONTROL (SOLO PARA CABEZALES DE IMPACTO)	
Hay aceite, producto de limpieza o lubricante en el cabezal de corte	Limpie y seque completamente el cabezal de corte

Si necesita asistencia adicional, comuníquese con un centro de servicio autorizado.



769-25562-00