

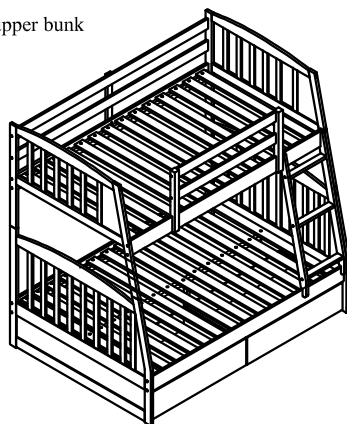
# ASSEMBLY INSTRUCTIONS

ITEM # : WF287229/WF287230

## SAFETY WARNINGS

- This bed is designed for use only mattress(es) meeting the following specifications on the upper bunk, and lower bunk:

Bed Type	Length	Width	Thickness
<i>Twin Standard</i>	74" - 75"	38 1/2"	6" max
<i>Full Standard</i>	74" - 75"	53 1/2"	6" max
- Replacement parts, including additional guardrails, may be obtained from any of our GIGACLOUD TECHNOLOGY (USA) INC
- Follow the information on the warnings appearing on the upper bunk bed end structure and on the carton. Do not remove warning label from bed.
- Always use the recommended size mattresses or mattress supports, or both, to help prevent the likelihood of entrapment or falls.
- Surface of the mattress must be at least 5 in. (127 mm) below the upper edge of guardrails.
- Do not allow children under 6 years of age to use the upper bunk.
- Periodically check and ensure that the guardrail, ladder, and other components are in their proper position, free from damage, and that all connectors are tight.
- Do not allow horseplay on or under the bed and prohibit jumping on the bed
- Always use the ladder for entering and leaving the upper bunk.
- Do not use substitute parts. Contact the manufacturer or dealer for replacement parts.
- Use of a night light may provided added safety precaution for a child using the upper bunk.
- Always use guardrails on both long sides of the upper bunk. If the bunk bed will be placed next to the wall, the guardrail that runs the full length of the bed should be placed against the wall to prevent entrapment between the bed and wall.
- The use of water or sleep flotation mattresses is prohibited.
- STRANGULATION HAZARD** – Never attach or hang items to any part of the bunk bed that are not designed for use with the bed; for example, but not limited to, hook, belts and jump ropes.
- Keep these instructions for future reference
- We recommend assembling your bunk bed on a shipping carton to protect your floor or carpet
- Be certain all staples are out of the box before beginning assembly on the shipping carton
- Prohibit more than one person on upper bunk



page 1

## SAFETY WARNINGS AND GENERAL NOTES :

Follow the information on the warnings on the bunk bed end structure and on the carton. Do not remove the warning label from the bed. Always use the recommended size mattress on mattress support, or both, to help prevent the likelihood of entrapment or falls.

The top surface of the mattress must be at least 5\*inch (127mm) below the upper edge of the guardrail.

Do not allow children under 6 years of age to use the upper bunk.

Periodically check and ensure the guardrail, ladder and other components are in their proper position, free from damage, and all connectors are tight.

Do not allow horseplay on or under beds.

Always prohibit jumping on the bed.

Prohibit more than one person on upper bunk.

Always use the ladder for entering and leaving the upper bunk.

Do not use substitute parts. Contact the manufacturer or dealer for replacement parts.

Use of a night-tight may provide added safely precaution for a child using the upper bunk.

Always use guardrails on both long sides of the upper bunk.

If the bunk bed will be placed next to a wall, the guardrail that runs the full length of the bed should be placed against the wall to prevent entrapment between the bed and the wall.

The use of water or sleep flotation mattresses is prohibited.

**STRANGULATION HAZARD**-Never attach or hang items to any part of the bunk bed that are not

designed for use with the bed.

Keep these instructions for future reference.

We recommend assembling your bunk bed on the shipping carton to protect your floor or carpet.

Be certain all staples are out of the box before beginning assembly on the shipping carton.

**USE ONLY MATTRESSES WHICH ARE 74"-75" LONG AND 37 1/2" - 38 1/2" WIDE ON UPPER AND ON LOWER BUNKS. ENSURE THICKNESS OF MATTRESS DOES NOT EXCEED 6".**

**SURFACE OF MATTRESS MUST BE AT LEAST 5" (127MM) BELOW THE UPPER EDGE OF GUARDRAILS.**

Replacement Parts:

Replacement Parts, including additional guardrails, may be obtained from any of our (COMPTREE INC.) dealers

page 2

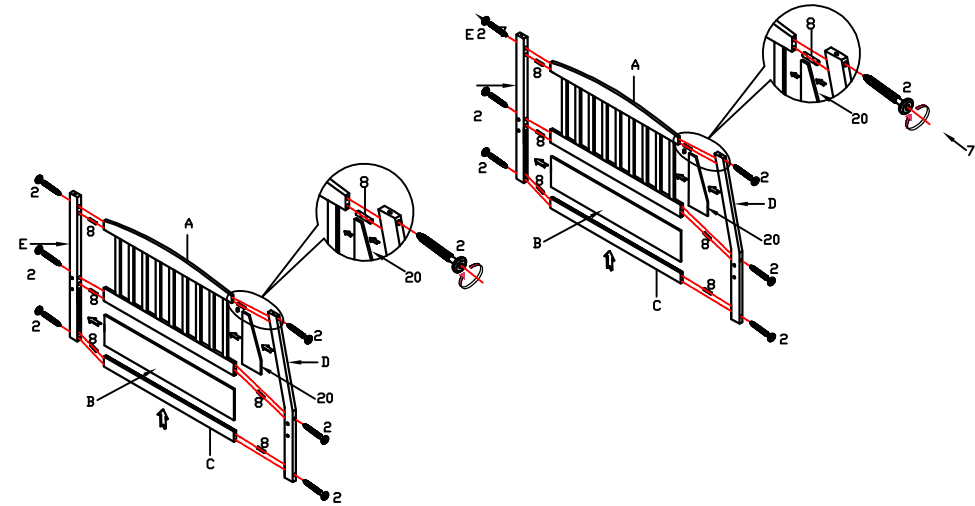
# ASSEMBLY INSTRUCTIONS

## PART LISTS

No.	PHOTO	PART NAME	Q'TY	No.	PHOTO	PART NAME	Q'TY
<b>PART LIST: WF287229</b>				<b>PART LIST: WF287230</b>			
A		Bottom Frame	2pcs	B		Bottom panel	2pcs
D		Bottom front leg (L&R)	2pcs	C		Bottom rail	2pcs
O		Upper Frame	2pcs	E		Bottom back leg (L&R)	2pcs
15		Upper slats	14pcs	F		Bottom back side rail	1pcs
16		Bottom slats	14pcs	G		Bottom front side rail	1pcs
V2		Drawer side panels	4pcs	H		Back Guardrail reinforce bar	1pcs
V4		Bottom drawer	2pcs	I		Back upper side rail	2pcs
W		Center support leg	3pcs	K		Guardrail front posts (L&R)	2pcs
20		Bottom panel	2pcs	L		Front upper side rails	2pcs
21		Bottom panel	2pcs	M		Front upper side rail	1pcs
17		Wood block	3pcs	N		Back upper side rail	1pcs
<b>HARDWARE LISTS - BOX WF287229</b>				P		Upper front leg (L&R)	2pcs
No.	PHOTO	HARDWARE NAME	Q'TY	Q		Upper back leg (L&R)	2pcs
1		LONG BOLT: 1/4" x 65mm	4pcs	R		Ladder rail L/R	2pcs
2		BOLT SCREWS: 1/4" x 110mm	20pcs	S		Ladder steps	3pcs
3		BOLT SCREWS: 1/4" x 30mm	3pcs	V1		Drawer front	2pcs
4		LONG BOLT: 1/4" x 85mm	20pcs	V3		Drawer back panels	2pcs
5		Hole bolt Ø 1/4"x15mm	24pcs	V5		Center support drawer	2pcs
6		BOLT SCREWS: 1/4" x 50mm	10pcs	X		Center support leg	1pcs
7		ALLEN KEY 4mm	1pcs				
8		Wood dowel Ø10 x 30mm	56pcs				
9		Metal dowel Ø10 x 90mm	4pcs				
10		Screw Ø4 x 30mm	73pcs				
11		Screw Ø4 x 25mm	16pcs				
12		SCREW Ø3 x 15mm	20pcs				
13		LONG BOLT: 1/4" x 35mm	3pcs				
14		Wheels Ø26	8pcs				
18		Hex-Head bolt: Ø1/4" x 30mm	4pcs				
19		Knot: Ø1/4"	4pcs				

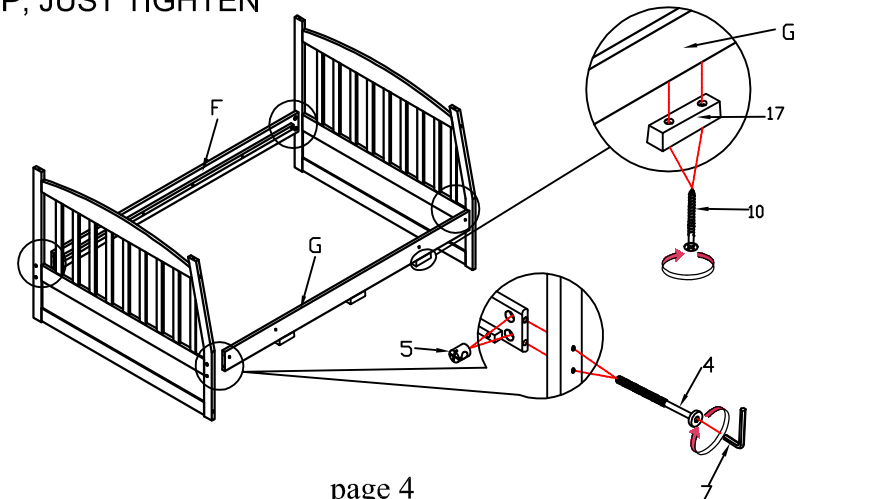
# ASSEMBLY INSTRUCTIONS

## Step 1



## Step 2

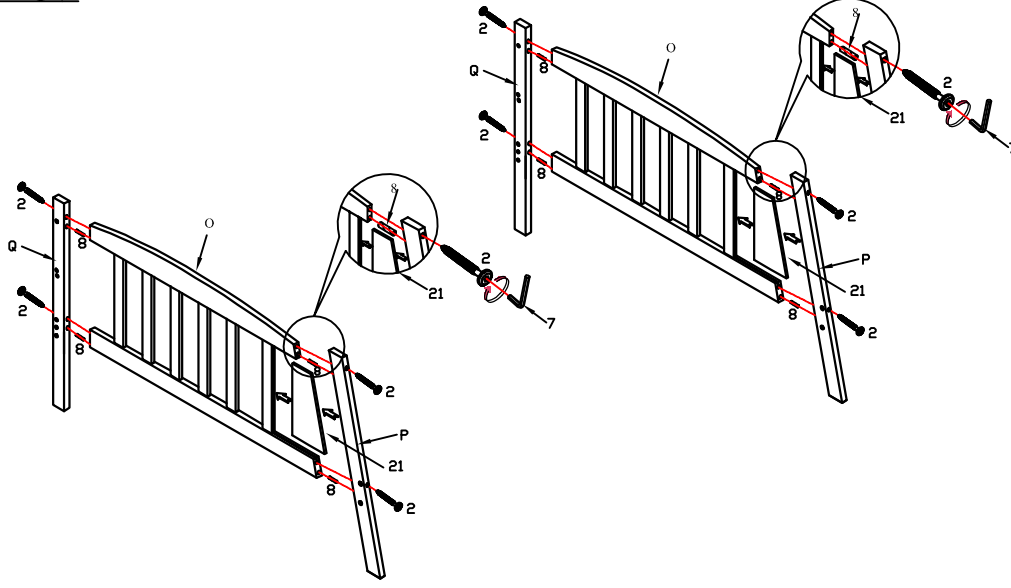
ATTENTION: PLEASE DON'T TIGHTEN ALL BOLTS IN THIS STEP, JUST TIGHTEN 80%



# ASSEMBLY INSTRUCTIONS

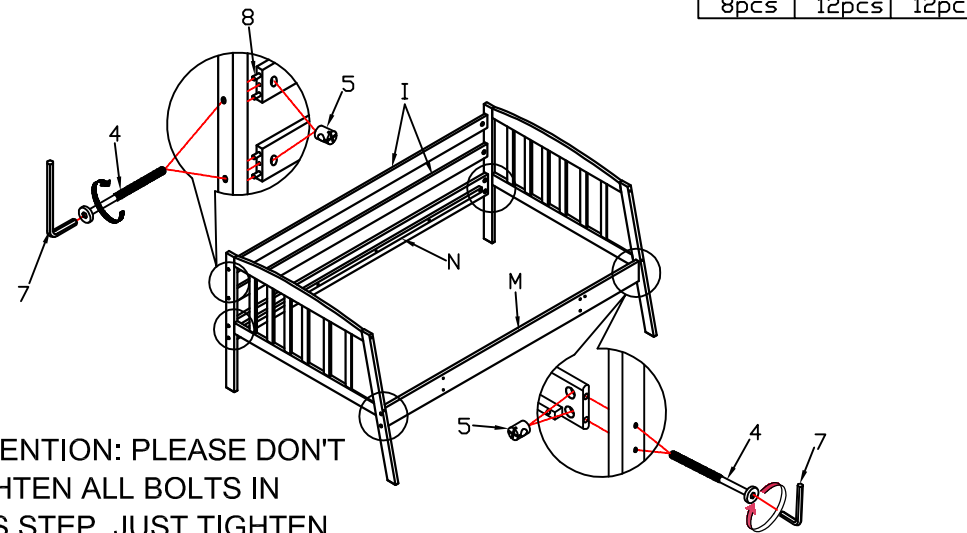
8	2
8pcs	8pcs

## Step 3



## Step 4

8	4	5
8pcs	12pcs	12pcs

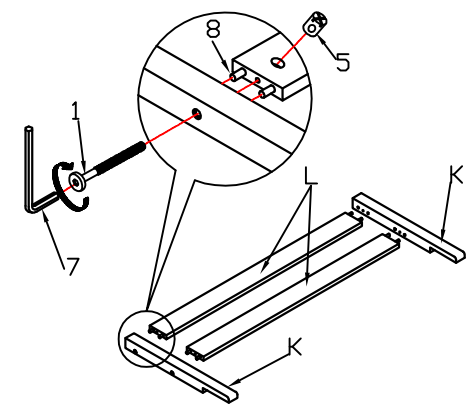


ATTENTION: PLEASE DON'T  
TIGHTEN ALL BOLTS IN  
THIS STEP, JUST TIGHTEN  
80%

# ASSEMBLY INSTRUCTIONS

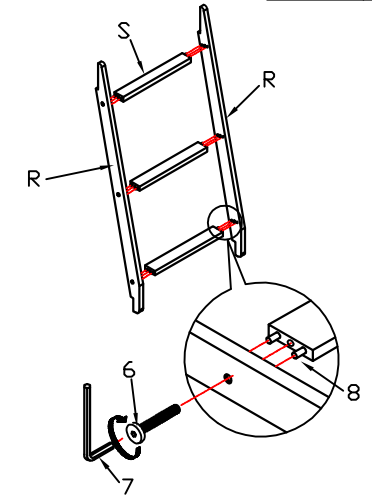
## Step 5

5	8	1
4pcs	8pcs	4pcs



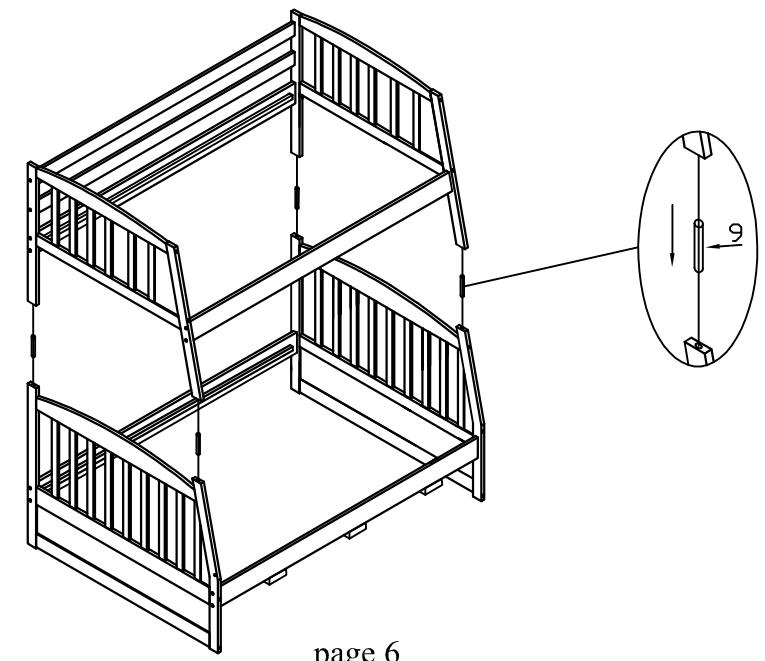
## Step 6

6	8
6pcs	12pcs



## Step 7

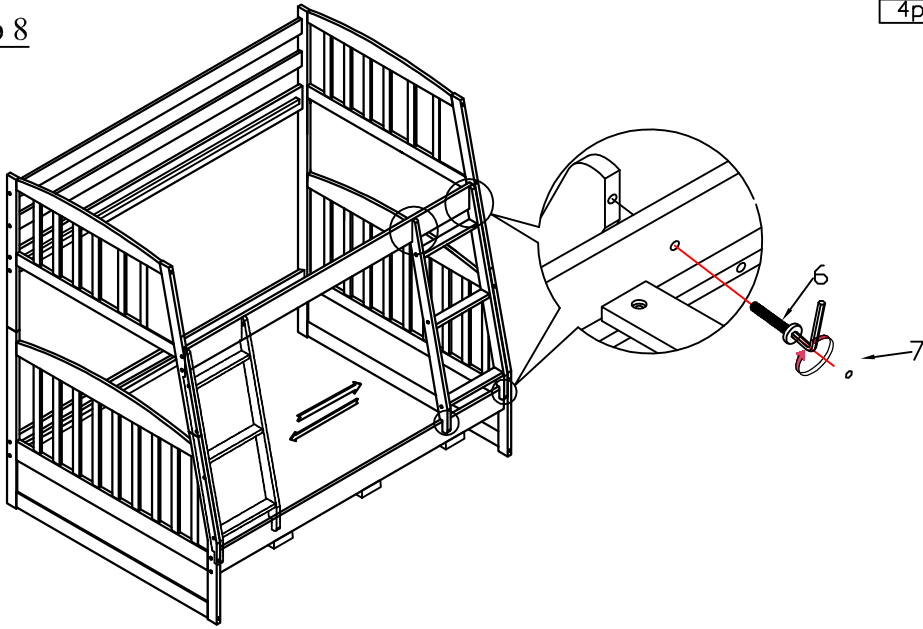
9
4pcs



# ASSEMBLY INSTRUCTIONS

6  
4pcs

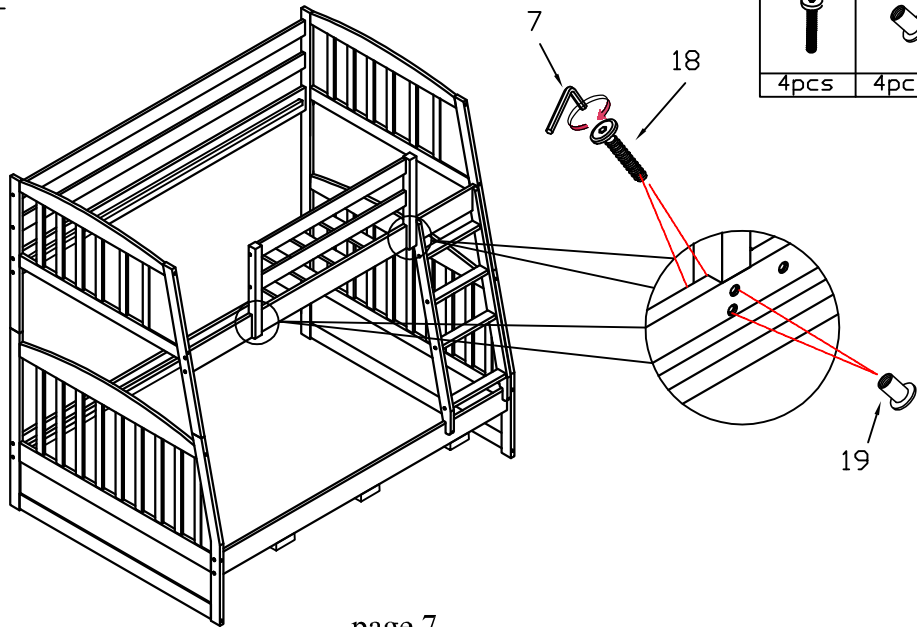
Step 8



Step 9

18  
4pcs

19  
4pcs

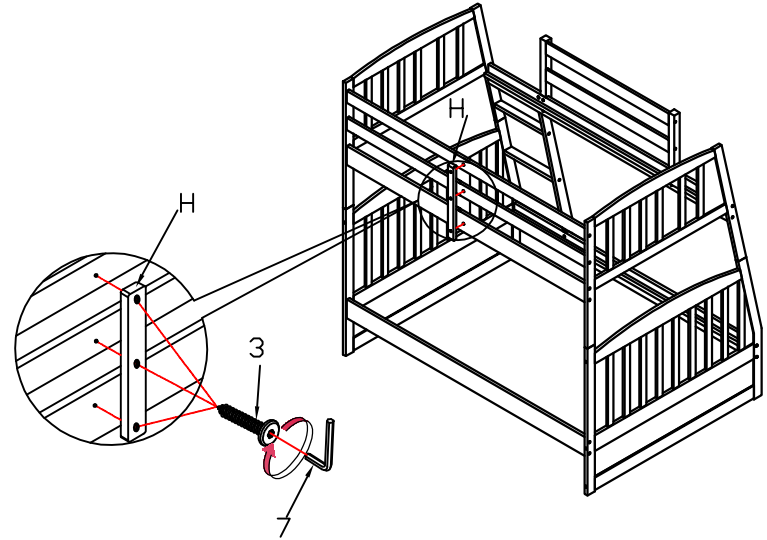


page 7

# ASSEMBLY INSTRUCTIONS

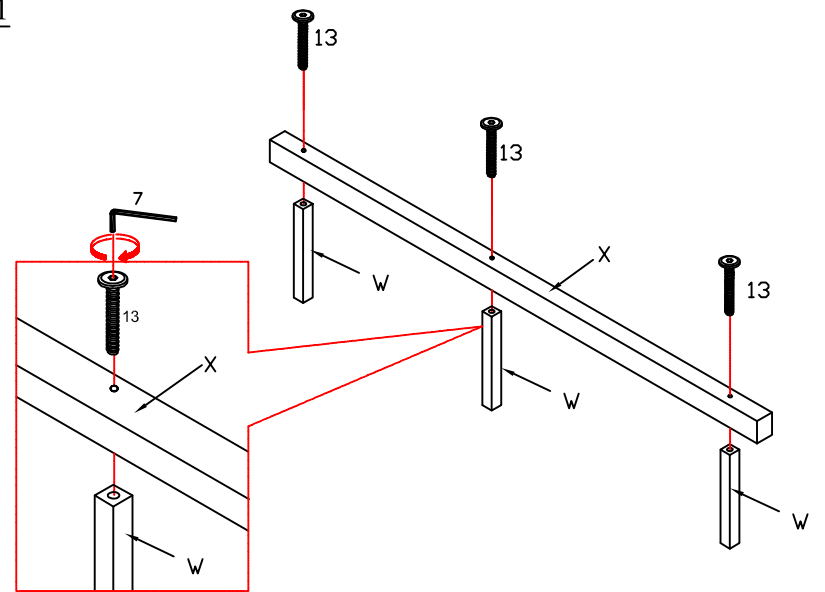
3  
3pcs

Step 10



Step 11

13  
3pcs



page 8

# ASSEMBLY INSTRUCTIONS

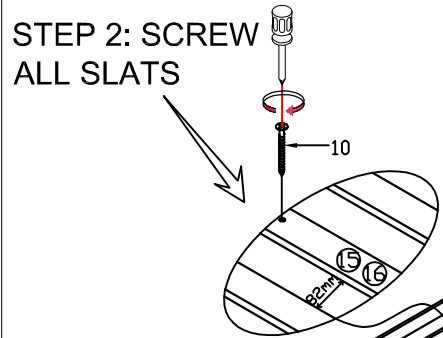
10



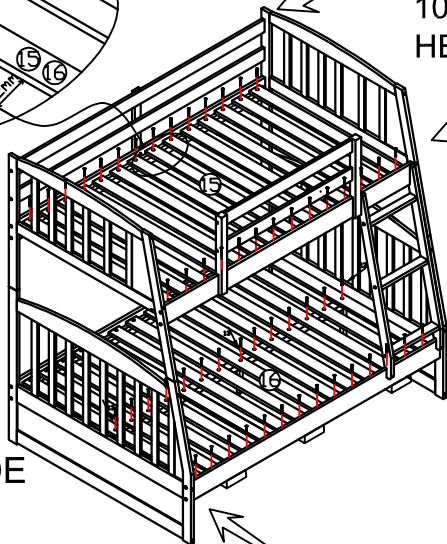
67pcs

## Step 12

STEP 2: SCREW ALL SLATS



STEP 3: TIGHTEN 100% ALL HEXAGON BOLTS



STEP 1: PULL SIDE RAIL CLOSE TOGETHER ENOUGH TO FIT THE SLATS

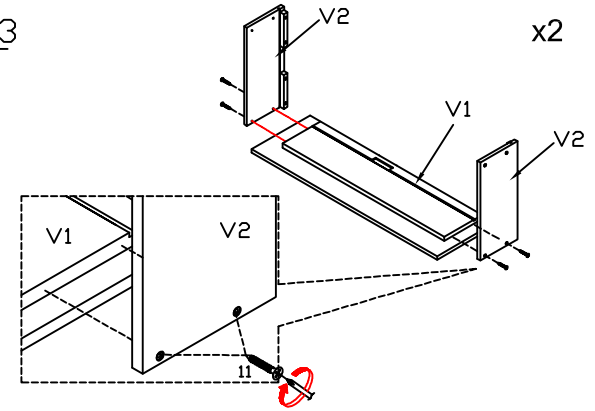
# ASSEMBLY INSTRUCTIONS

11

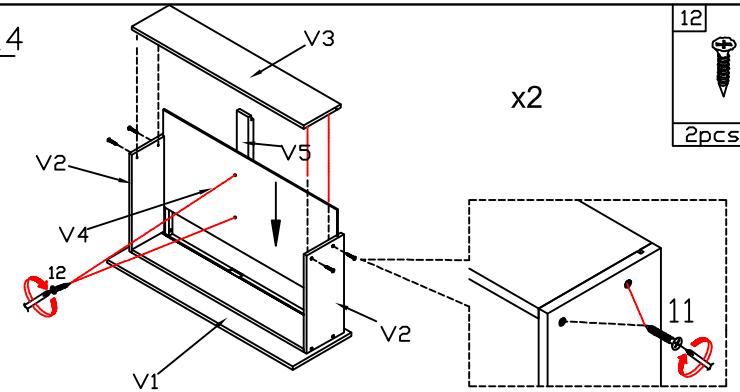


4pcs

## STEP 13



## STEP 14



12



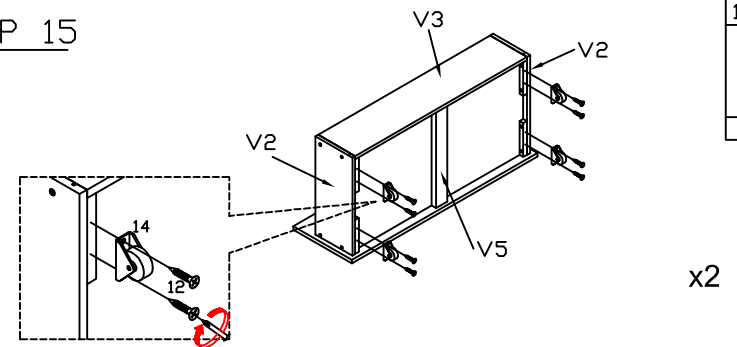
2pcs

11



4pcs

## STEP 15



14



4pcs

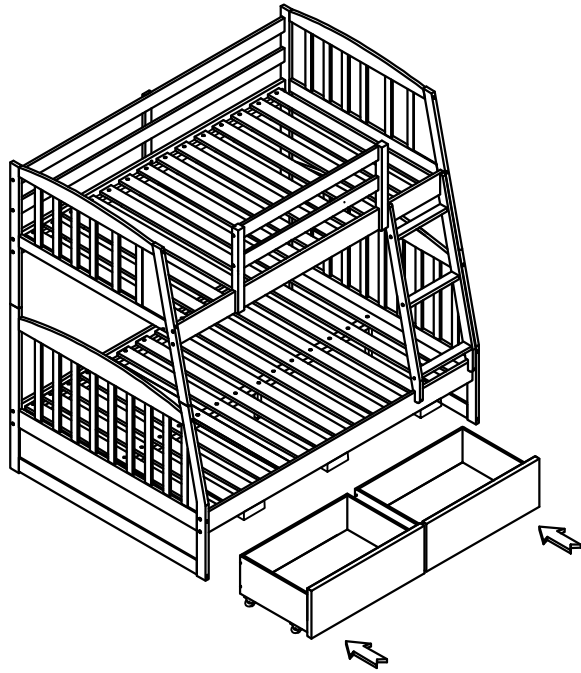
12



8pcs

# ASSEMBLY INSTRUCTIONS

Step 16



Completed

