

# INSTALLATION

## Product Overview

The images in this guide may be different from the actual components and accessories, which are subject to change by the manufacturer without prior notice for product improvement purposes.

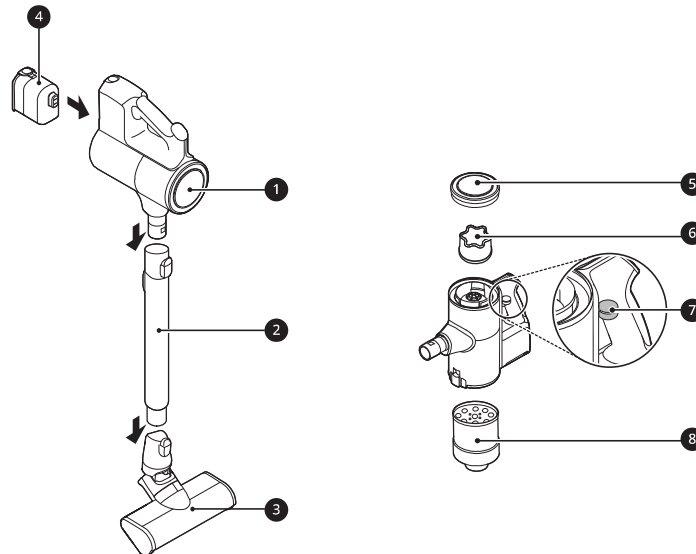
ENGLISH

### NOTE

- For your safety and for extended product life, use only authorized components. The manufacturer is not responsible for product malfunction, property damage or bodily injury caused by the use of separately purchased unauthorized components, parts, or non-LG products.

### Front View

† This feature is only available on some models.



- ① Product Body
- ② Extension Pipe
- ③ Nozzle
- ④ Battery (Dual Battery†)
- ⑤ Exhaust Filter
- ⑥ Pre-filter
- ⑦ Kompressor Lever
- ⑧ Cyclonic Mesh Filter

## 10 INSTALLATION

---

---

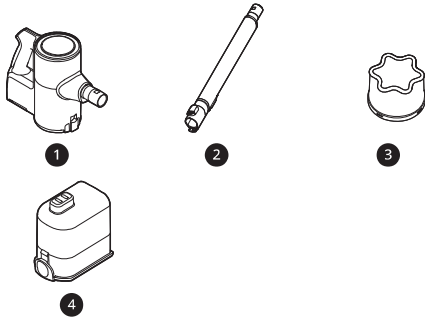
### NOTE

- Use the vacuum cleaner only with the provided charging station. Using a charging station other than the one designed to be used with the vacuum cleaner may result in improper sealing of the product and failure to empty dust from the vacuum cleaner.
-

## Accessories

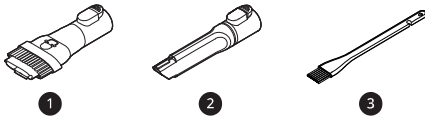
† This accessory is only available on some models.

### Included Accessories



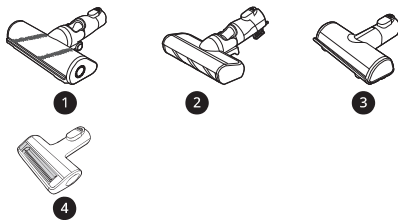
- ❶ Product Body
- ❷ Extension Pipe
- ❸ Pre-filter
- ❹ Battery (Dual Battery†)

### Basic Accessories



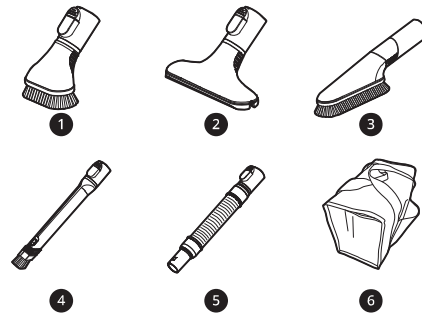
- ❶ Combination Tool
- ❷ Crevice Tool
- ❸ Cleaning Brush

### Nozzles



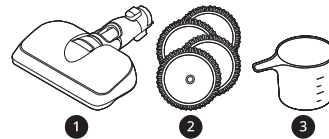
- ❶ Universal Nozzle†
- ❷ Slim Hard Floor Nozzle†
- ❸ Bedding Nozzle†
- ❹ Pet Nozzle†

## Tools and Accessory Bag



- ❶ Hard Dirt Tool†
- ❷ Mattress Tool†
- ❸ Multi-angle Tool†
- ❹ Flexible Crevice Tool†
- ❺ Flexible Hose Extension†
- ❻ Accessory Bag†

## Mop Kit



- ❶ Mop Nozzle†
- ❷ Mop Pads for General Cleaning†
- ❸ Water Tank Filler†

### NOTE

- The mop pads, batteries, exhaust filter and the pre-filter will eventually need to be replaced. Contact an LG Electronics customer service center.

## Specifications

### Appliance

<b>Model</b>	A9*****	
<b>Dimensions (Width X Depth X Height)</b>	10.2 in X 10.6 in X 44.1 in 260 mm X 270 mm x 1120 mm	
<b>Weight</b>	Approximately 5.95 lb (2.7 kg)	
<b>Power Consumption</b>	370 W in <b>Turbo Mode</b> (Maximum 590 W) 120 W in <b>Power Mode</b> 68 W in <b>Normal Mode</b>	
<b>Battery Run Time (Using two battery)</b>	<b>Using with the Nozzle<sup>†</sup></b> Up to 12 minutes in <b>Turbo Mode</b> Up to 40 minutes in <b>Power Mode</b> Up to 80 minutes in <b>Normal Mode</b>	<b>Using with the Tool</b> Up to 14 minutes in <b>Turbo Mode</b> Up to 60 minutes in <b>Power Mode</b> Up to 120 minutes in <b>Normal Mode</b>
<b>Battery Run Time (Using one battery)</b>	<b>Using with the Nozzle<sup>†</sup></b> Up to 6 minutes in <b>Turbo Mode</b> Up to 20 minutes in <b>Power Mode</b> Up to 40 minutes in <b>Normal Mode</b>	<b>Using with the Tool</b> Up to 7 minutes in <b>Turbo Mode</b> Up to 30 minutes in <b>Power Mode</b> Up to 60 minutes in <b>Normal Mode</b>

- Dimensions are given for the assembled product body, extension pipe and nozzle.
- Battery run time is the result of using a fully charged battery according to the LG Electronics test standard. Results may be different depending on actual use environment and period of use.
- Recommended maximum run time when using the mop nozzle is 80 minutes. Otherwise, the motor may overheat.

† The Nozzle contains the direct drive motor that rotates the nozzle cleaning head directly.

### Charging Station

<b>Model</b>	VDS-ST1****
<b>Input</b>	120 V~ 60 Hz
<b>Output</b>	DC 28.3 V / 1.15 A
<b>Power Consumption</b>	9 A (Cleaning) 0.6 A (Charging)

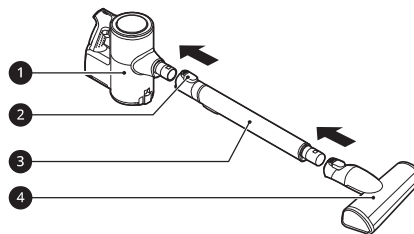
## Storing the Accessories

### Assembling and Storing the Appliance

Follow these steps to safely assemble the appliance.

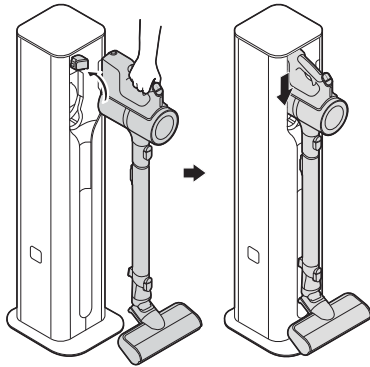
- 1** Firmly attach the extension pipe **3**, nozzle **4**, or tool onto the product body **1**.

- To detach the extension pipe, press the extension pipe release button **2**.



- 2** Put the product body on the charging station.
  - If the vacuum cleaner fits properly inside the charging station, the alarm will sound. Wait several seconds and if the alarm does

not sound, reinsert the vacuum cleaner, making sure that the nozzle is horizontal.



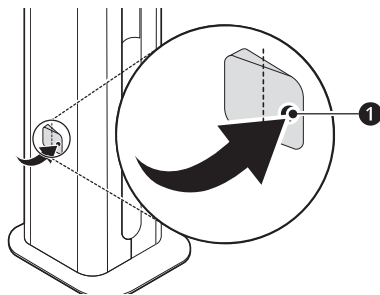
### Storing the Tools

Use the product to store the inlet and components provided with the vacuum cleaner.

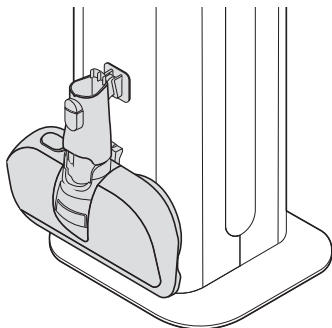
The components may differ depending on the vacuum cleaner model.

### Using the Nozzle Hooks

- 1 Open the nozzle hook ① on both sides of the product.
  - To open the nozzle hooks, press on the right side. Be careful not to pinch fingers when opening.

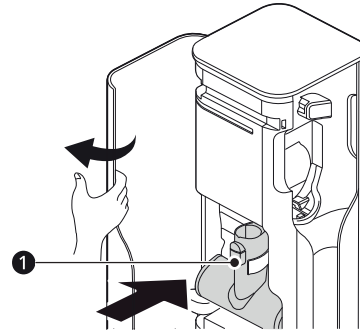


- 2 Hang the nozzle on the nozzle hook.

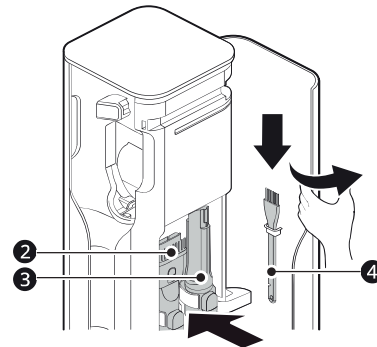


### Storage Inside

- 1 Open the left door of the product and insert the bedding nozzle or the pet nozzle ① for storage.



- 2 Open the right door and insert the combination tool ②, the crevice tool ③ and the cleaning brush ④ for storage.



### NOTE

- Before moving the product, unplug it and remove the vacuum cleaner, nozzles, and accessories.
- To carry the product, open both doors and hold the areas shown.

