

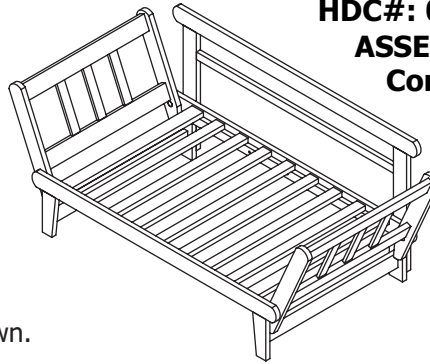
Care and Maintenance

The care required for your new Convertible Lounge is no different from any other piece of fine furniture in your home. A soft damp cloth will easily clean your furniture. Avoid excessive moisture (especially from condensation forming on cold drinks). As with all fine furniture, exposure to direct sunlight, over time, will lighten the finish.

Please contact Home Decorators Collection Customer Service at (800) 240-6047 for parts or other product issues.

HOME
DECORATORS
COLLECTION

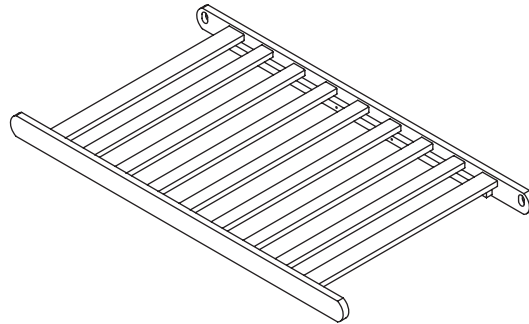
HDC#: 02180 MFG#: 411-9X
ASSEMBLY INSTRUCTION
Convertible Lounge



CAUTION : Assembly required two or more persons.
Avoid sitting beyond the legs when arms are folded down.

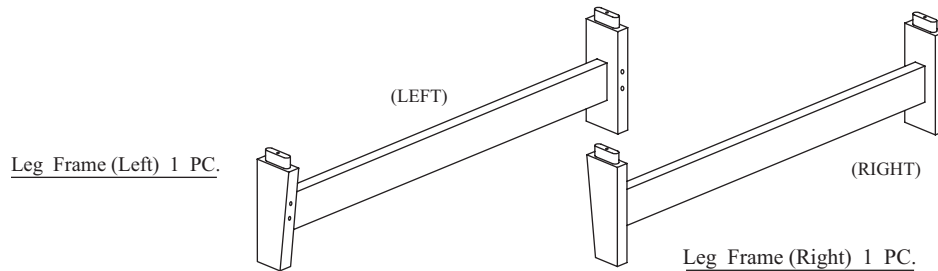
PART LIST

Platform Frame (Part A)



Platform Frame 1 PC.

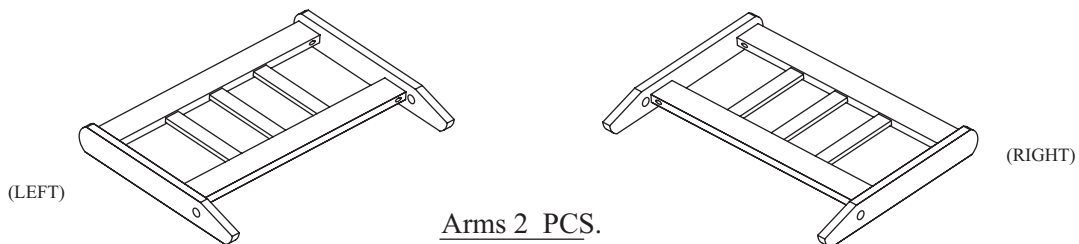
Leg Frame (Part B)



Leg Frame (Left) 1 PC.

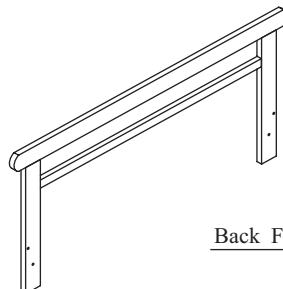
Leg Frame (Right) 1 PC.

Arm (Part C)



Arms 2 PCS.

Back Frame (Part D)



Back Frame 1 PC.

HARDWARE LIST



SC10081
Screws JCA 1/4" x 38 mm
4 PCS.



SC10004
Screws F6 x 5/8"
8 PCS.



RF40216
Pin
4 PCS.



TL40015
Allen Wrench
1 PC.

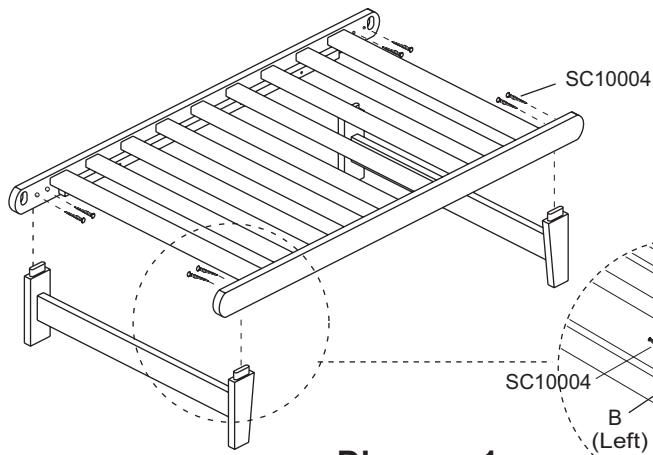


Diagram 1.

Step 1 : Attach leg frames to the underside of the platform using 8 pcs screws F6 x 5/8" (SC10004). See Diag 1.

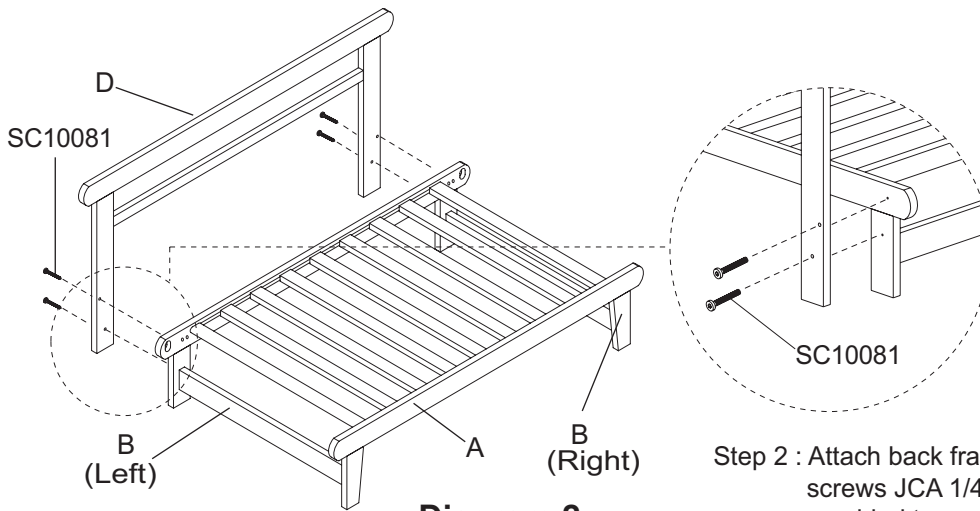


Diagram 2.

Step 2 : Attach back frame to the platform using 4 pcs screws JCA 1/4" x 38 (SC10081). Use the Allen key provided to secure the connections. See Diag 2.

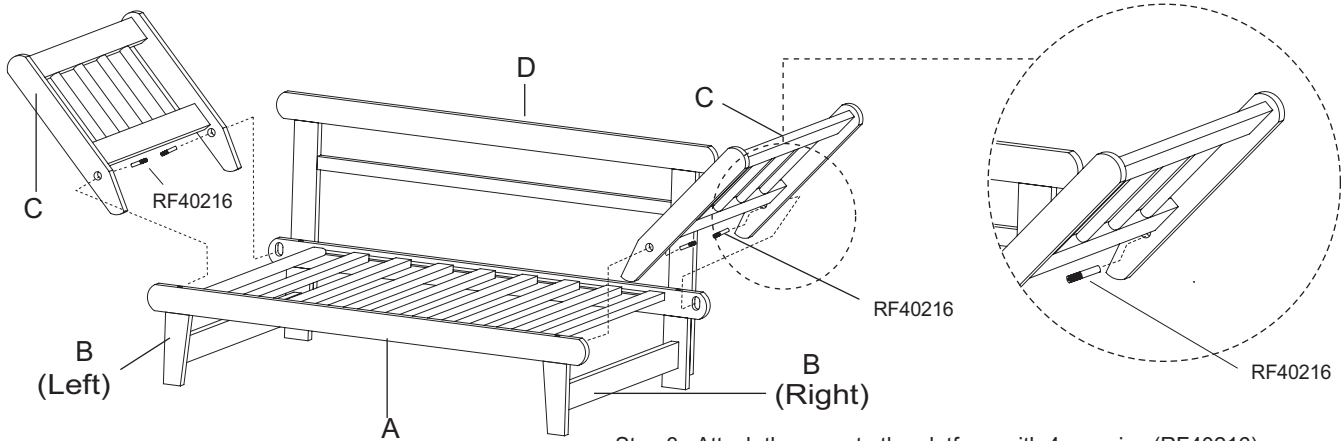


Diagram 3.

Step 3 : Attach the arms to the platform with 4 pcs pins (RF40216). Making sure that the arms are correctly positioned with the angled ends facing upwards, as indicated by stickers on unit "THIS SIDE UP". Use the Allen key provided to tighten pins. Tighten only until the pins sit flush with the wood surface. See Diag 3.

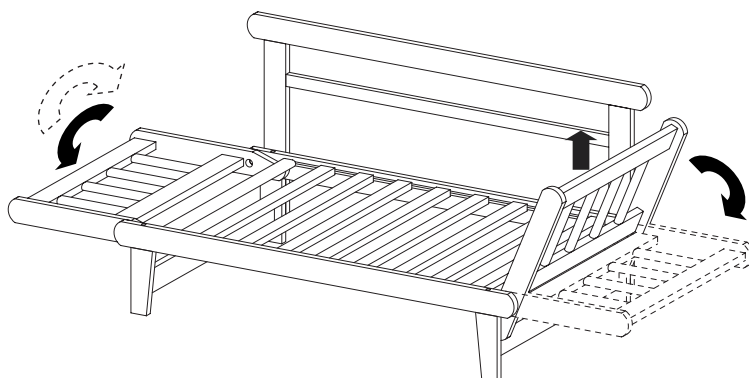


Diagram 4.

Step 4 : Your unit is now fully assembled. You may raise and lower the arms as shown in Diag 4.