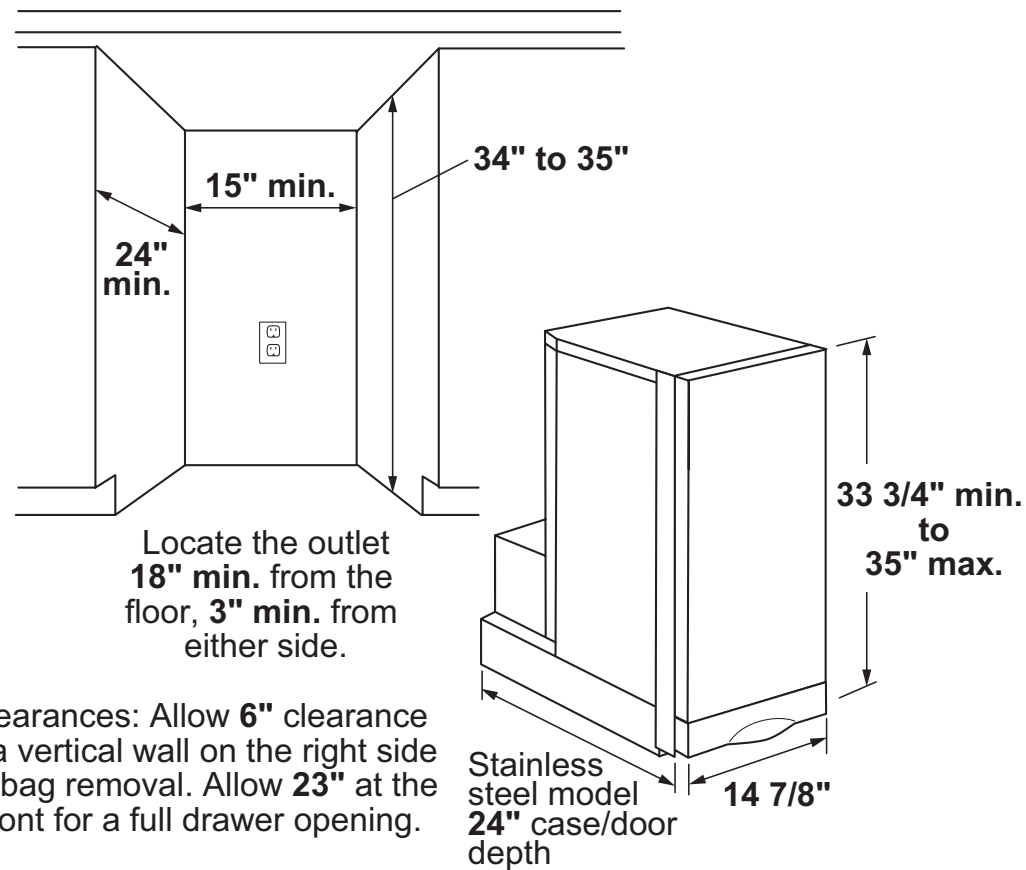


UCG1600/50/80L

Universal 15" Built-In Compactor

DIMENSIONS AND INSTALLATION INFORMATION (IN INCHES)



For answers to your Monogram, GE Café™ Series, GE Profile™ Series or GE Appliances product questions, visit our website at geappliances.com or call GE Answer Center® Service, 800.626.2000.



Specification Revised 3/17

UCG1600/50/80L

Universal 15" Built-In Compactor

FEATURES AND BENEFITS

Hidden Controls - The controls are hidden behind the compactor door, lending a beautiful designer appearance

Built-In Only - The compactor is built-in to adjacent cabinetry for an upscale appearance

1.4 Cu. Ft. Capacity - Provides plenty of room for waste items or recyclables

1/3 HP Motor - Powerful motor provides maximum compacting power

Removable Key Lock - Provides added safety by assuring the drawer remains locked during use

Toe Pedal Opener - Hands-free toe pedal drawer makes it easy to open and load

Automatic Anti-Jam - Operation is easy and reliable, even with a challenging load

Rear Wheels - Allow easy movement and installation

Removable Drawer - Makes it simple to empty and clean

Model UCG1600LWW - White on white

Model UCG1600LBB - Black on black

Model UCG1680LSS - Stainless steel

Model UCG1650LII - Custom panel

