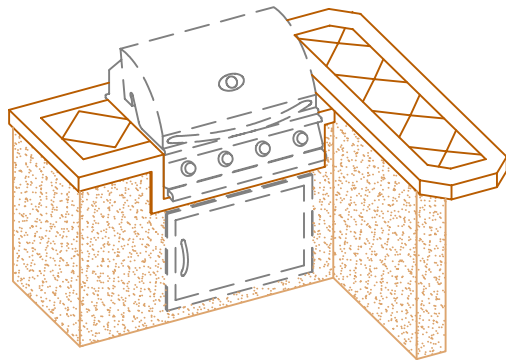
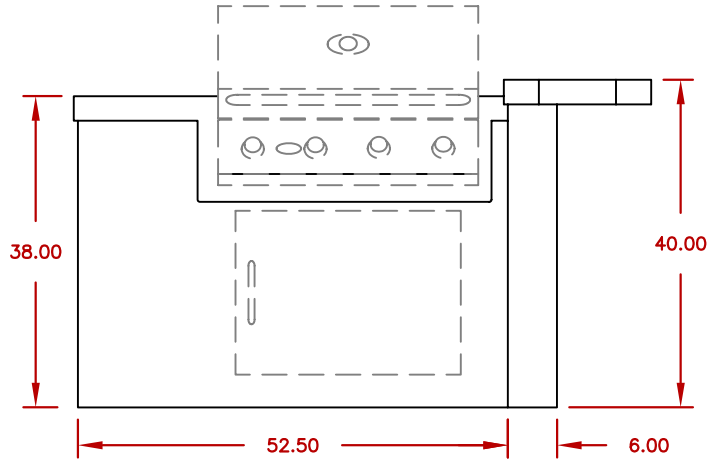
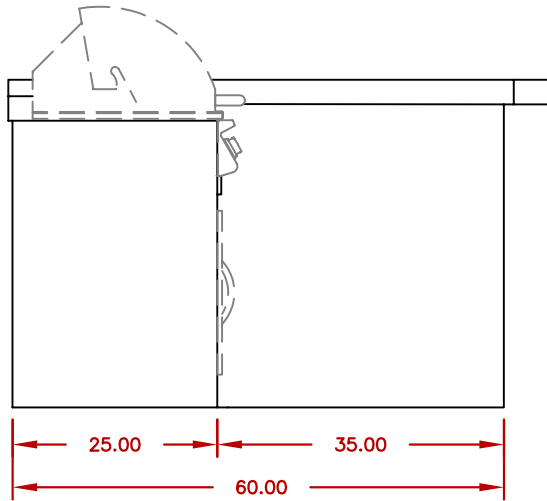
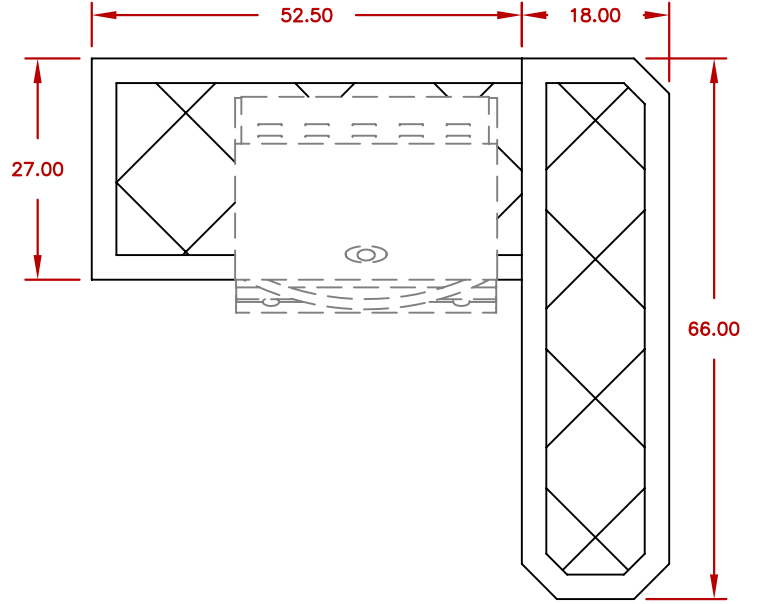



LINE	BBQ LINE
MODEL	LBK401R-A
REF.	



LBK401R-A



STANDARD FEATURES		
QTY.	SYMB.	DESCRIPTION
-	(A)	PORCELAIN TILE 12 X 12 (FIELD) (BORDER)
-	(B)	AMERISTONE STUCCO
1	(D)	4 BURNER G4 LP
1	(F)	27" ACCESS DOOR

	TITLE 2016 BARBECUE LINE LBK SERIES LBK401R-A	
	SCALE:	DWG NO.
REVISED	REV. DESCR.	DWG BY G.GARCIA
		DATE 2/3/16

NOTE:  
DUE TO OUR CONTINUOUS IMPROVEMENT PROGRAM, ALL MODELS  
AND SPECIFICATIONS ARE SUBJECT TO CHANGE WITHOUT NOTICE.