

# Deck Tile Planter Box Installation Guide

v20191125US



**NewTechWood**

# CONTENTS

<b>Important Note</b>	<b>2</b>
<b>Deck Tile Planter Box Components for 1x3</b>	<b>3</b>
<b>Single Layer Installation</b>	<b>4 - 5</b>

**IMPORTANT:**

## **Read All Sections Before You Start**

For the most up to date information, please visit our website @ [www.newtechwood.com](http://www.newtechwood.com)

Prior to installing any composite product, it is recommended that you check with local building codes for any special requirements or restrictions. The diagrams and instructions outlined in this guide are for illustration purposes only and are not meant or implied to replace a licensed professional. Any construction or use of NewTechWood must be in accordance with all local zoning and/or building codes. The consumer assumes all risks and liability associated with the construction and use of this product.

### **Safety**

When dealing with any type of construction project, it is necessary to wear appropriate safety equipment to avoid any risk of injuries. NewTechWood recommends but is not limited to the following safety equipment when handling, cutting, and installing the product: gloves, a respiratory protection, long sleeves, pants, and safety glasses.

### **Tools**

Standard woodworking tools may be used. It is recommended that all blades have a carbide tip.

### **Environment**

A clean, smooth, flat, and strong surface is needed to install the Deck Tile Planter Box correctly. Please check with local building codes before ever installing any type of decking. If installation does not occur immediately, NewTechWood's products need to be put on a flat surface at all times. It should NEVER be put on a surface that is NOT flat.

### **Static**

Static can also be more prevalent in areas that are of higher altitude because the humidity is lower. For these areas, be careful of using conducive objects such as metal railing and chairs as static shocks might occur more often. A potential way to lower the amount of static shocks occurring is to apply Staticide ([www.aclstaticide.com](http://www.aclstaticide.com)) on your deck or use anti-static mats before doorways.

### **Layout**

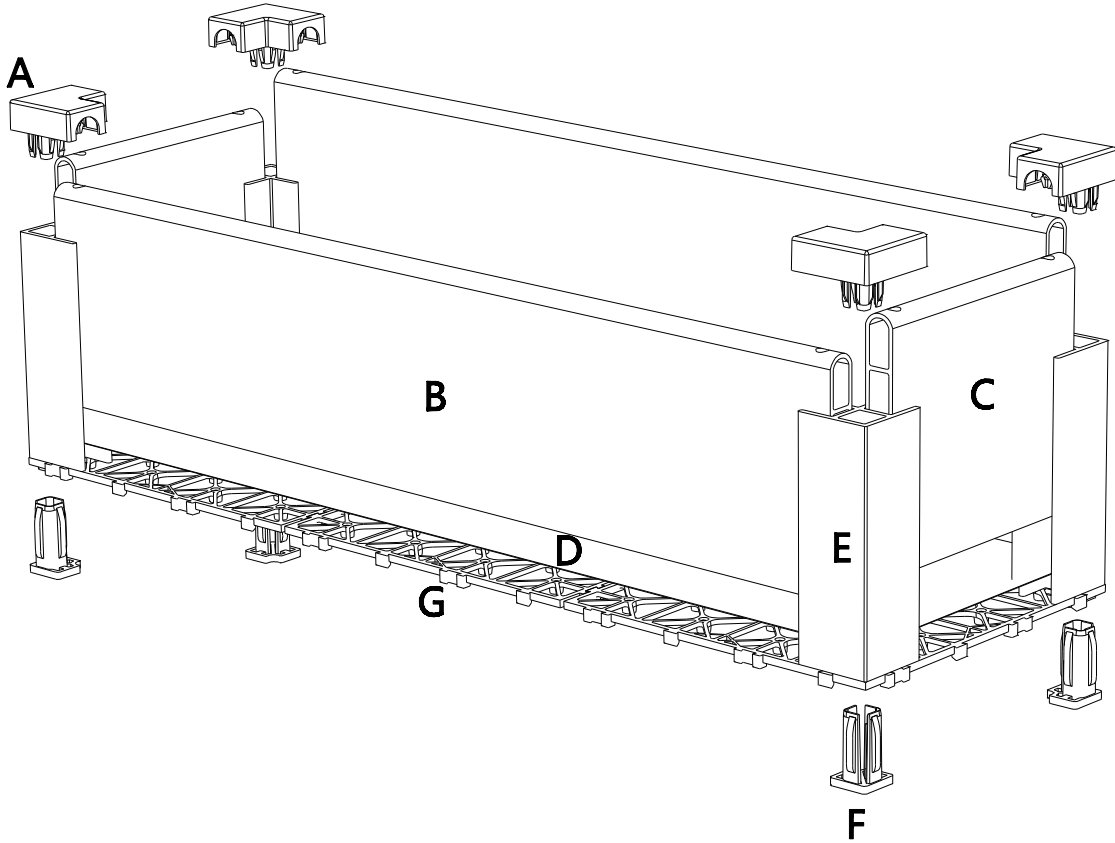
Before installing the Deck Tile Planter Box, always make sure that you are installing it on a clean smooth flat surface.

The Deck Tile Planter Box CANNOT be installed on places such as dirt, soil, or raised structure. It must be laid out on a flat solid surface.

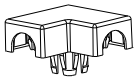
# Deck Tile Planter Box Components for 1x3

## IMPORTANT POINTS:

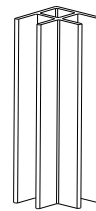
- Parts B, C, D will be different depending on the planter box kit model.
- Parts D, G quantity will be different depending on the planter box kit model.



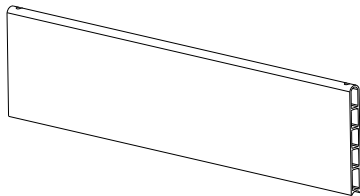
A - QD0101  
(X4)



E - UH36  
(X4)



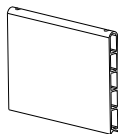
B - UH08-832  
(X2)



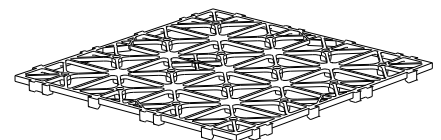
F - QD0102  
(X4)



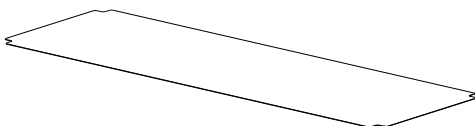
C - UH08-224  
(X2)



G - QDG  
(X3)



D - QD0104  
(X1)



## Single Layer Installation

The following installation is for the 1x3 planter box. Other planter boxes will be installed in the same manner, the only difference being the length of the boards (B-UH08-832, C-UH08-224) and the size of the perforated sheet (D-QD0104).

- 1 Lay & connect the grids (G-QDG) on a flat surface as shown in Diagram 1, 2.

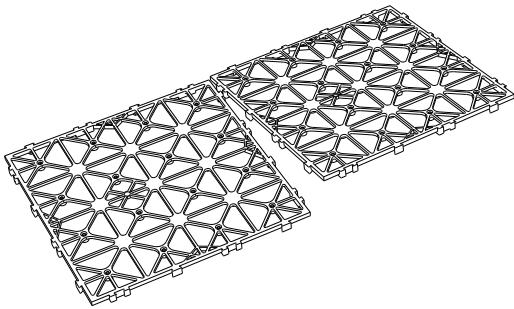


DIAGRAM 1

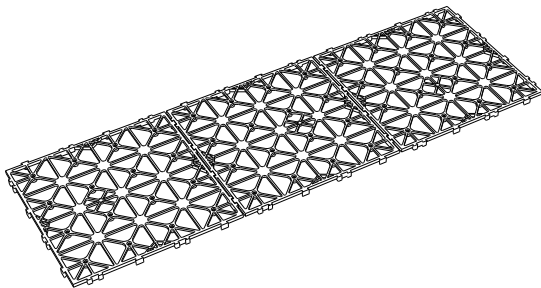


DIAGRAM 2

- 2 Insert the post legs (F-QD0102) on the 4 corners from the bottom of the grids as shown in Diagram 3, 4.

**Note:** The side with the arc of the post legs should be facing inward.

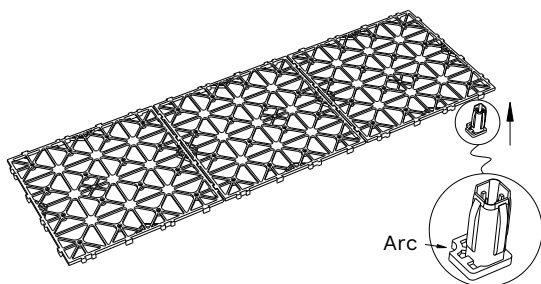


DIAGRAM 3

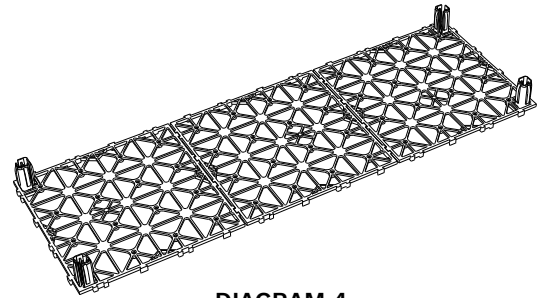


DIAGRAM 4

- 3 Lay the perforated sheet (D-QD0104) on the grids as shown in Diagram 5 and 6.

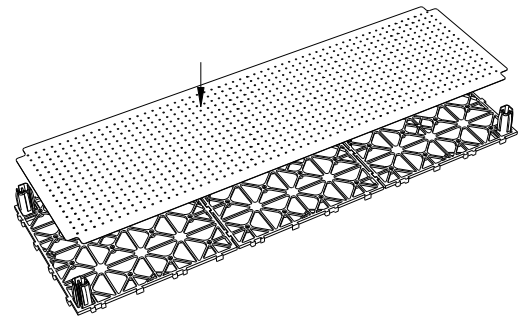


DIAGRAM 5

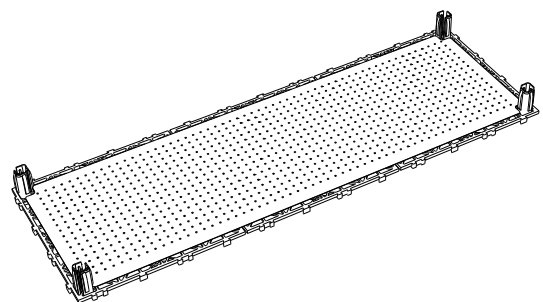


DIAGRAM 6

- 4 Insert the posts (E-UH36) into the post legs as shown in Diagram 7, 8.

**Note:** The groove side of the post should be facing inward for inserting the boards.

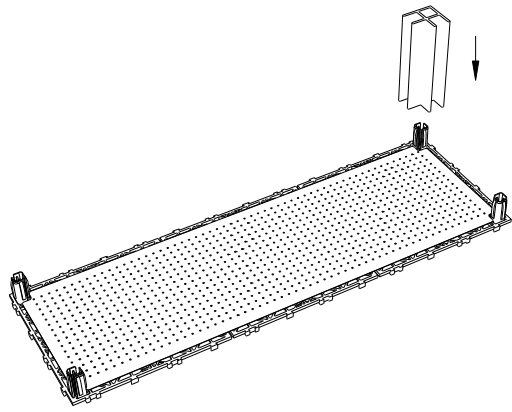


DIAGRAM 7

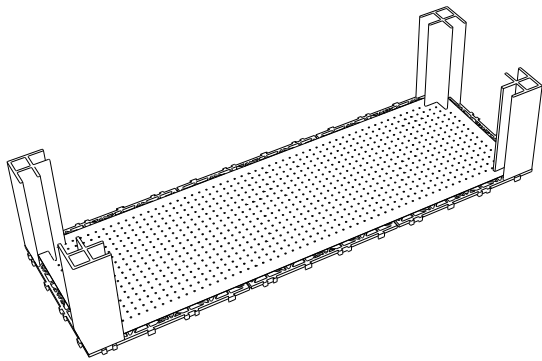


DIAGRAM 8

5 Insert the boards (B-UH08-832, C-UH08-224) between the posts as shown in Diagram 9, 10.

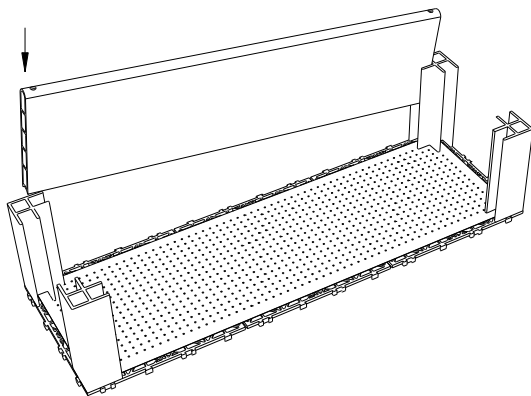


DIAGRAM 9

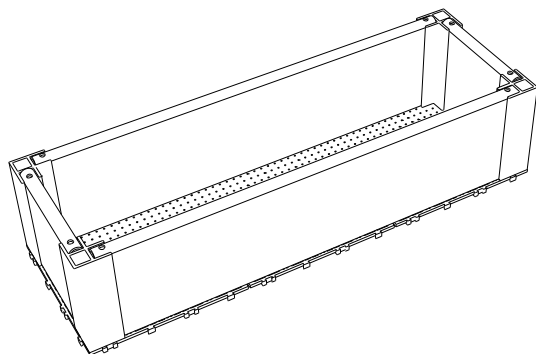


DIAGRAM 10

6 Place and press down to fix the post caps (A-QD0101) as shown in Diagram 11, 12.

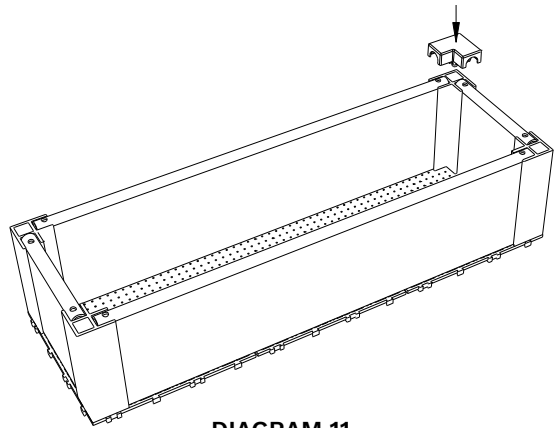


DIAGRAM 11

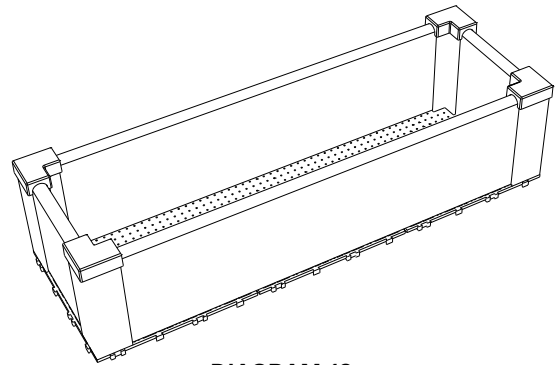


DIAGRAM 12

Notice: Planter box can be used in conjunction with Deck Tiles.

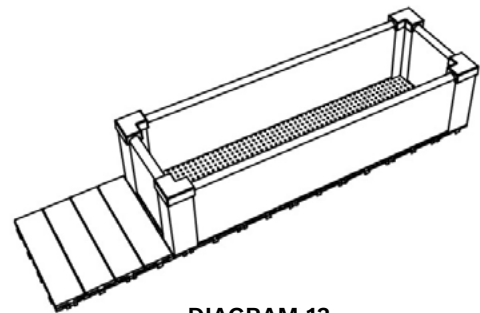


DIAGRAM 13

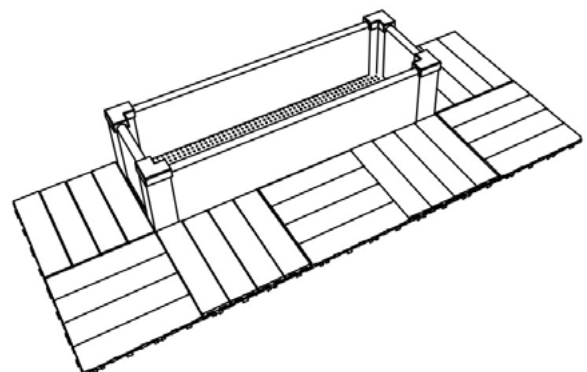
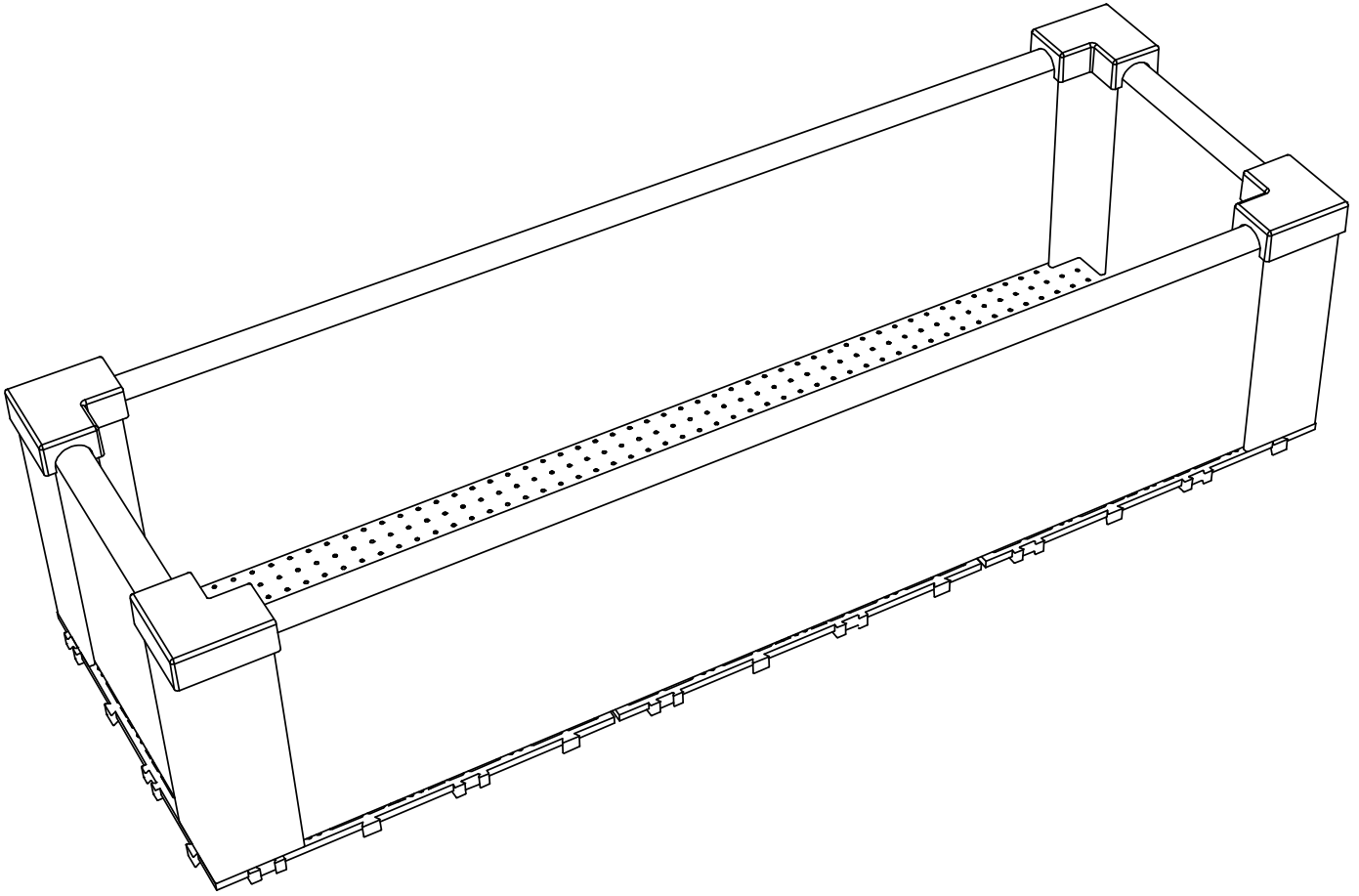


DIAGRAM 14



## Deck Tile Planter Box Installation Guide

v20191125US

©2019 Huidong Meixin Plastic Lumber Products Manufacturing Co., Ltd.  
NewTechWood® is a registered trademark of Huidong Meixin Plastic Lumber Products Manufacturing Co., Ltd. To obtain a copy of the most current version of this installation guide, visit us online at [www.newtechwood.com](http://www.newtechwood.com).

