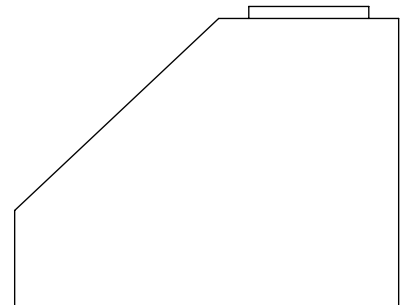
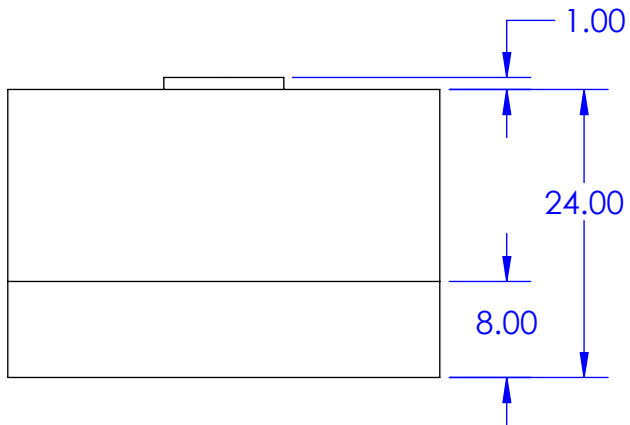
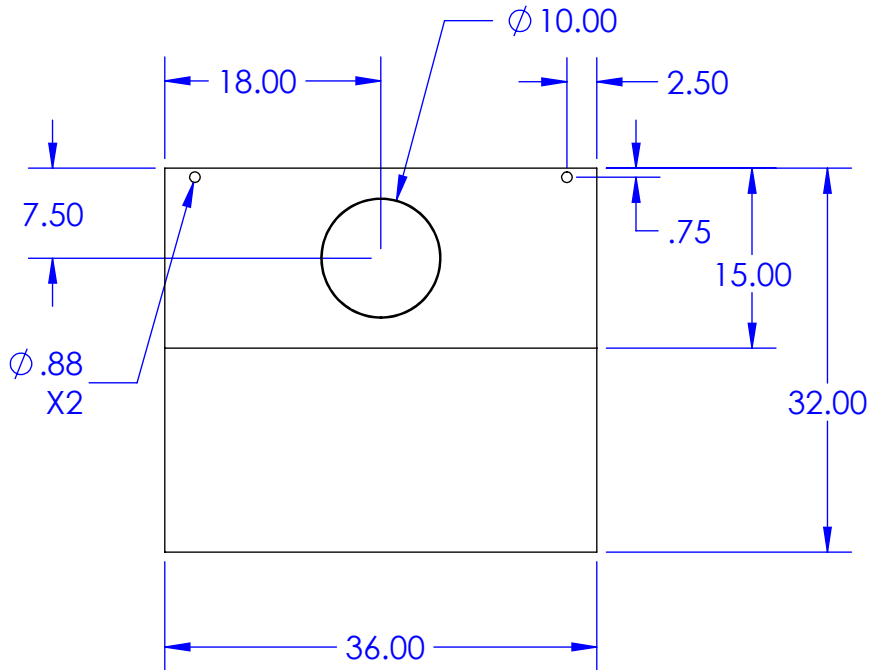
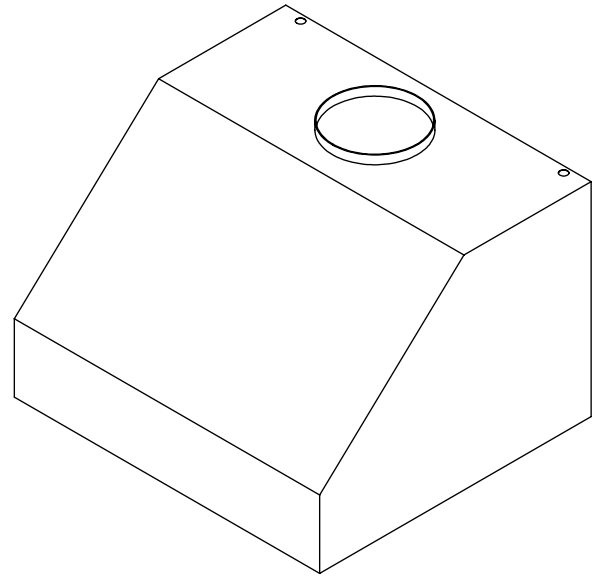




VENT HOOD
SPEC SHEET
PN# 66009



NOTES:
1. SCALE: 1:16
2. REVISED 3/2017