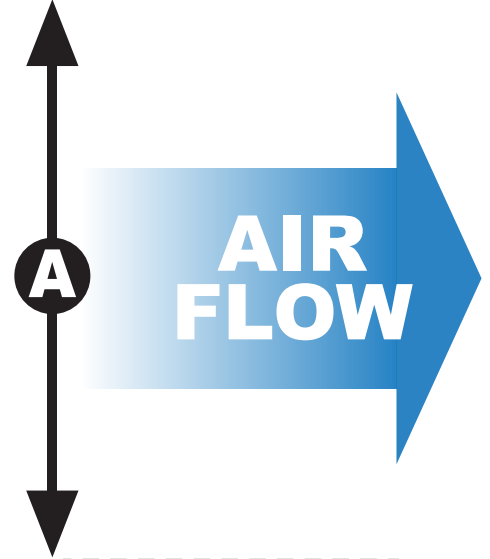
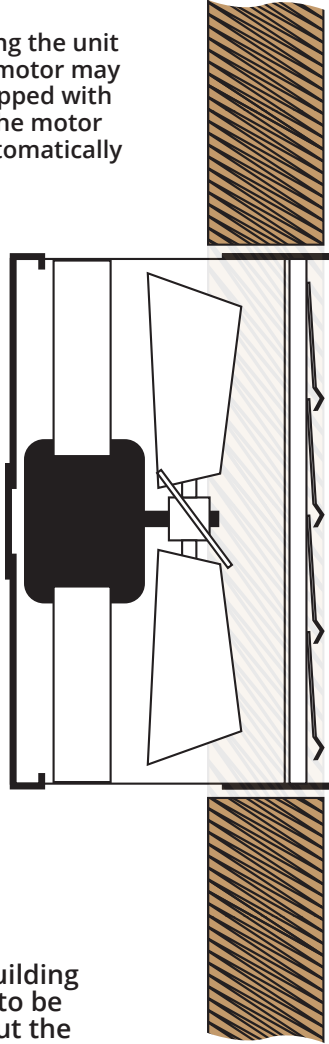
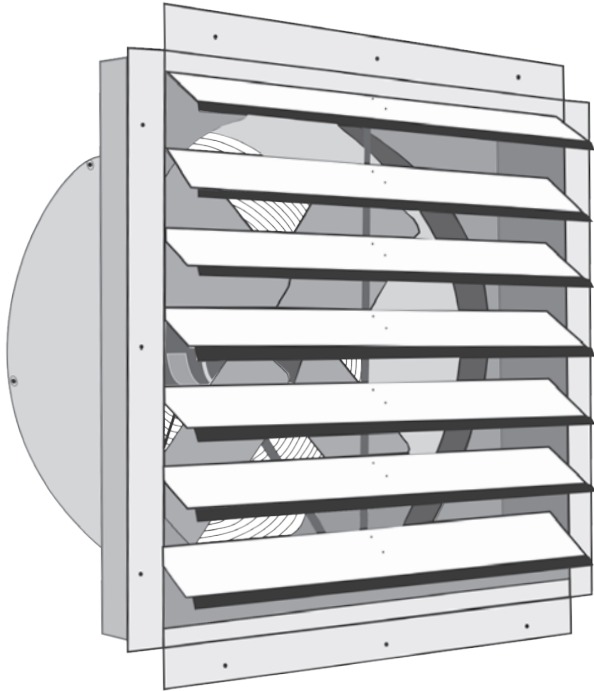


**WARNING**

**WARNING:**

Turn off all power to fan before cleaning the unit or performing any maintenance. The motor may start automatically. The motor is equipped with an automatic overload protection. If the motor overheats and stops, it will re-start automatically when it cools.



**LOCATION OF FANS:**

The fan should be located in the side or end of the building away from prevailing winds. If more than one fan is to be installed, the fans should be placed evenly throughout the building so that a balanced flow of air is established.

**CAUTION**

**AIR INTAKES:**

Adequate air intake (Net Free Area\*) is required for proper operation of this fan. Air intakes should be sufficient to allow as much air to enter the building as the fan exhausts (see NFZ Required for each model on the chart below).

\*Net Free Area (NFA) is a measurement of the unobstructed area through which air can pass freely. Adequate air intake is essential for the fan to operate properly.

**SPECIFICATIONS SUMMARY**

MODEL	SIZE	VOLTS	AMPS	CFM	NFA (INTAKE) REQUIRED	ROUGH OPENING
IF14	14"	120	2.65	1400	4.5 sq ft	17 1/4 x 17 1/4
IF18	18"	120	5.34	3000	10 sq ft	20 3/4 x 20 3/4
IF24	24"	120	4.35	4100	13.5 sq ft	28 1/4 x 28 1/4
IF30	30"	120	6.3	5500	18 sq ft	34 1/4 x 34 1/4
IF36	36"	120	5.15	9000	30 sq ft	40 1/4 x 40 1/4

Due to our continuing program of product improvement, specifications may change without notice.