



SPADE SPACED 1.5" PICKET FENCE INSTALLATION INSTRUCTIONS



Kit contents

- 3 - posts
- 3 - 18" wooden stakes
- 4 - rails
- 12 - 1.5" spade pickets
- 3 - post caps
- 3 - 7/8" screws

Items needed

- Soapy water
- Non-marring rubber mallet
- Wooden wedge
- Drill with square bit

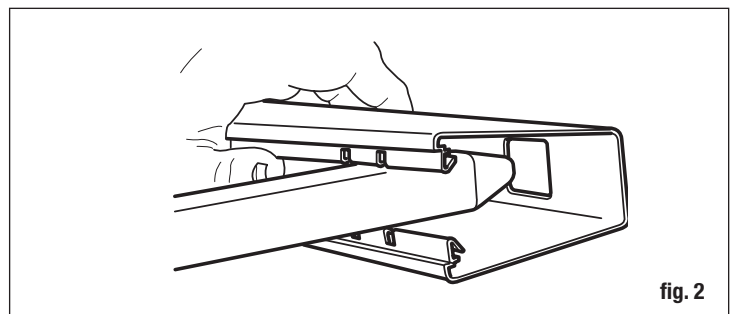
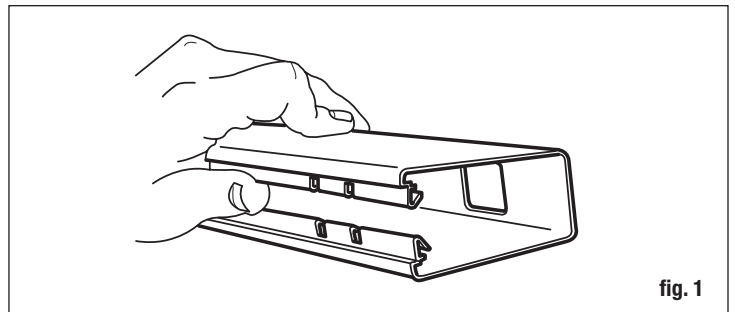
Note: PicketLock™ is a patent-pending technology that provides a glue- and fastener-free connection between the pickets and rails. You may spray soapy water onto components to help them slide more easily into their corresponding channels. A non-marring rubber mallet may also be used to gently tap components more firmly into place.

Preparation

Check local ordinances and regulations before building your fence. Before construction, contact your local utility companies to mark any underground cables and pipelines. In addition, it is a good idea to discuss plans with any neighbors along your proposed fence line.

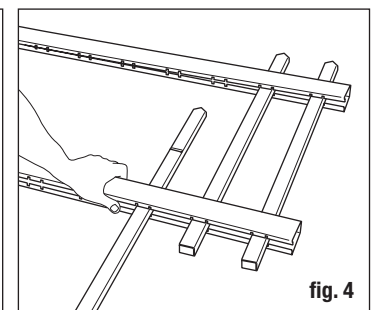
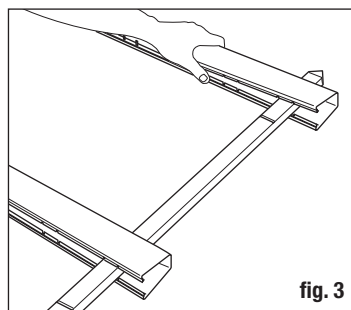
Step 1

- You will assemble the panel by starting at one end of your panel, working toward the opposite end.
- Take one of the rails and gently open up the throat with your hand or a wooden wedge (fig. 1). This will become the bottom rail of the assembly.
- Insert a picket into the throat of the rail, and proceed through the routed hole as shown. **DO NOT SNAP INTO PLACE** (fig. 2).



Step 2

- Continue to push the picket through the bottom rail into the throat and hole of the second rail (fig. 3). The second rail becomes the top rail of the assembly. Stop when the tab in the bottom rail and the notch on the picket align. **DO NOT SNAP INTO PLACE.**
- Continue this process until all pickets are inserted into the rails with the tabs and notches aligned (fig. 4).



SPADE SPACED 1.5" PICKET FENCE INSTALLATION INSTRUCTIONS, CONT.

Step 3

- Once all the pickets are in place, snap the rails into all the picket notches using your hands or gently tap with a rubber mallet (fig. 5).

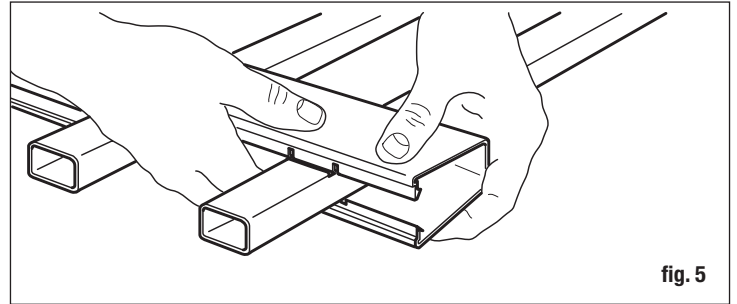


fig. 5

Step 4

- Slide one end of the top and bottom rail into the corner routed post. Slide the other end of the fence rail into the routed end post. Repeat steps 1-4 on the other side of the fence.

Step 5

- Set fence in desired install location. Drive stakes into the ground, leaving six inches of the stake above the ground, at the outside edge of each post (about 1" offset).
- Pick up fence assembly and reposition posts so that stakes are located inside of posts (fig. 6).
- Attach each post to its corresponding stake by drilling through the post and into the wooden stake using a 7/8" screw (fig. 7).
- Finish by adding post caps to posts.

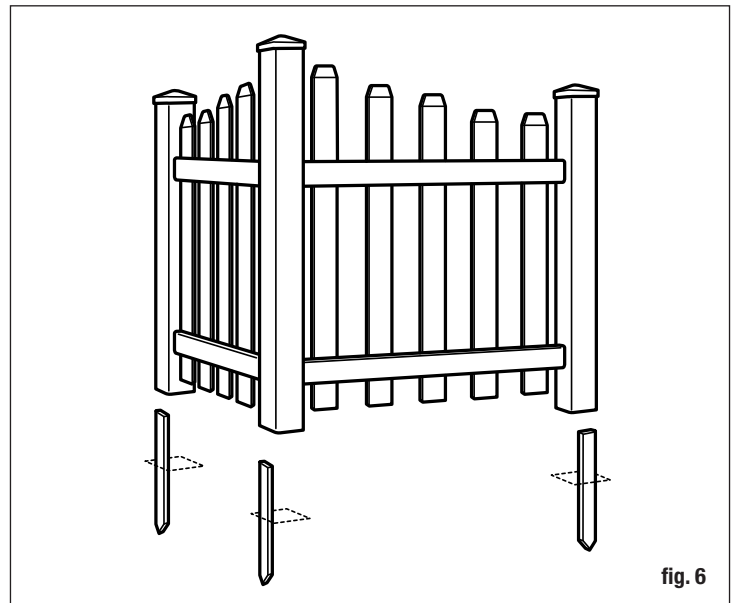


fig. 6

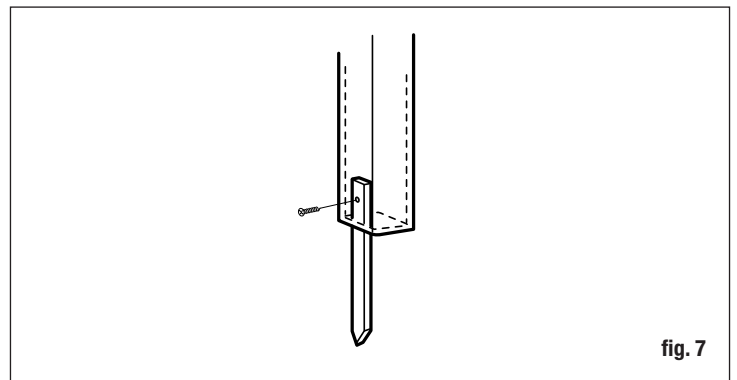


fig. 7

THE DIAGRAMS AND INSTRUCTIONS IN THIS BROCHURE ARE FOR ILLUSTRATION PURPOSES ONLY AND ARE NOT MEANT TO REPLACE A LICENSED PROFESSIONAL. ANY CONSTRUCTION OR USE OF THE PRODUCT MUST BE IN ACCORDANCE WITH ALL LOCAL ZONING AND/OR BUILDING CODES. THE CONSUMER ASSUMES ALL RISKS AND LIABILITY ASSOCIATED WITH THE CONSTRUCTION OR USE OF THIS PRODUCT. THE CONSUMER OR CONTRACTOR SHOULD TAKE ALL NECESSARY STEPS TO ENSURE THE SAFETY OF EVERYONE INVOLVED IN THE PROJECT, INCLUDING, BUT NOT LIMITED TO, WEARING THE APPROPRIATE SAFETY EQUIPMENT. EXCEPT AS CONTAINED IN THE WRITTEN LIMITED WARRANTY, THE WARRANTOR DOES NOT PROVIDE ANY OTHER WARRANTY, EITHER EXPRESS OR IMPLIED, AND SHALL NOT BE LIABLE FOR ANY DAMAGES, INCLUDING CONSEQUENTIAL DAMAGES.