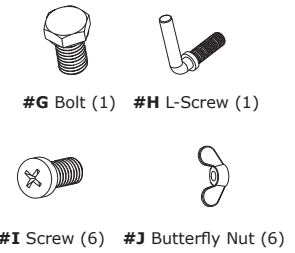
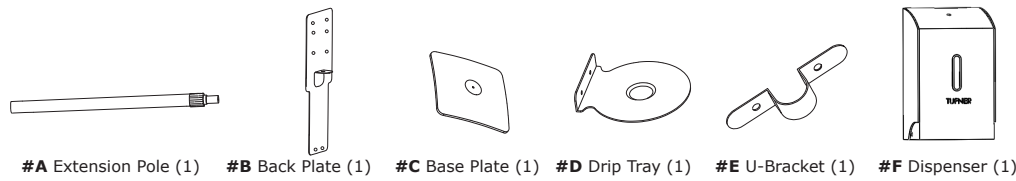


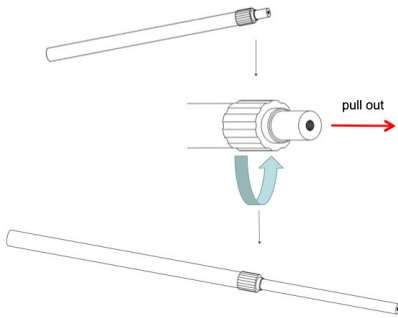
STAND ASSEMBLY GUIDE

Package includes:



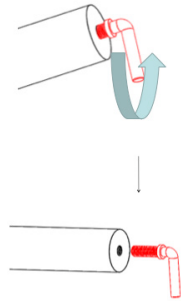
Step 1

Extend **#A** extension pole by unscrewing and pulling out. Secure by tightening again.



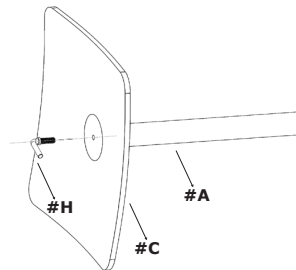
Step 2

Remove **#H** L-screw from bottom of **#A** extension pole



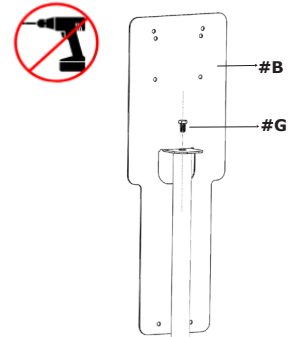
Step 3

Attach **#A** extension pole to **#B** base plate with **#H** L-screw



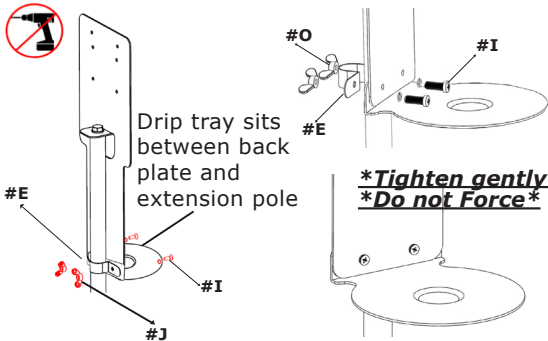
Step 4

Secure **#B** back plate to top of **#A** extension pole with **#G** bolt located on the top of **#A** extension pole.



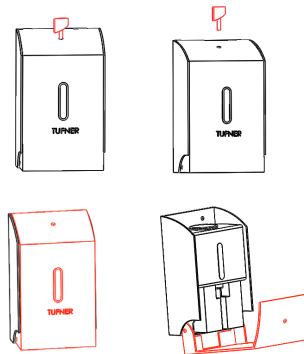
Step 5

Secure the **#D** drip tray between **#B** back plate and **#A** extension pole via **#I** screws, **#E** U-bracket, and **#J** butterfly nuts



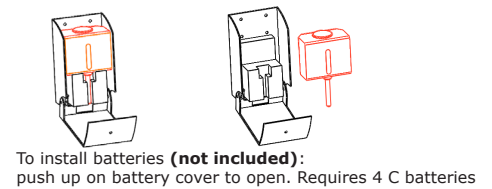
Step 6

Open **#F** dispenser with the key provided or any flat object

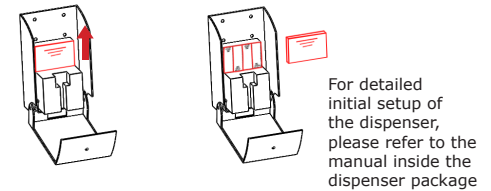


Step 7

Remove the reservoir from **#F** dispenser



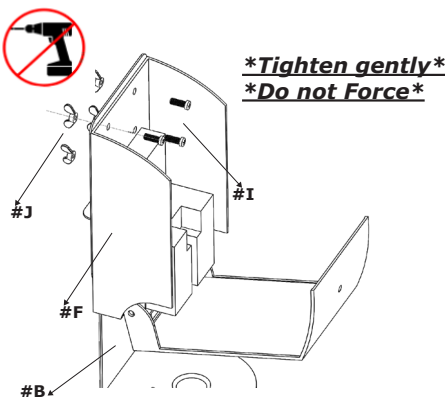
To install batteries (not included): push up on battery cover to open. Requires 4 C batteries



For detailed initial setup of the dispenser, please refer to the manual inside the dispenser package

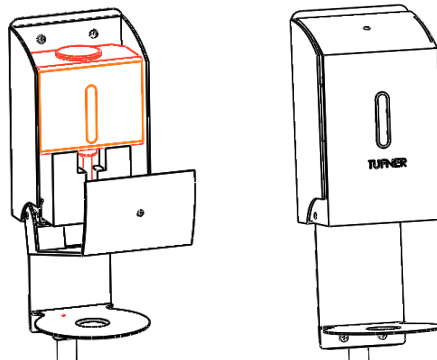
Step 8

Install **#F** dispenser on **#B** back plate via **#I** screws, and **#J** butterfly nuts



Step 9

Put the reservoir back into the **#F** dispenser and close the front side



Step 10

Dispenser stand completed



TUFNER INC.

HEADQUARTERS
9030 BRIDGEPORT PLACE RANCHO CUCAMONGA, CA 91730
MANUFACTURING FACILITY
1800-1900 NORTH COLLINS FWY. HOWE, TX 75459

888.688.4833
SALES@TUFNER.COM
WWW.TUFNER.COM