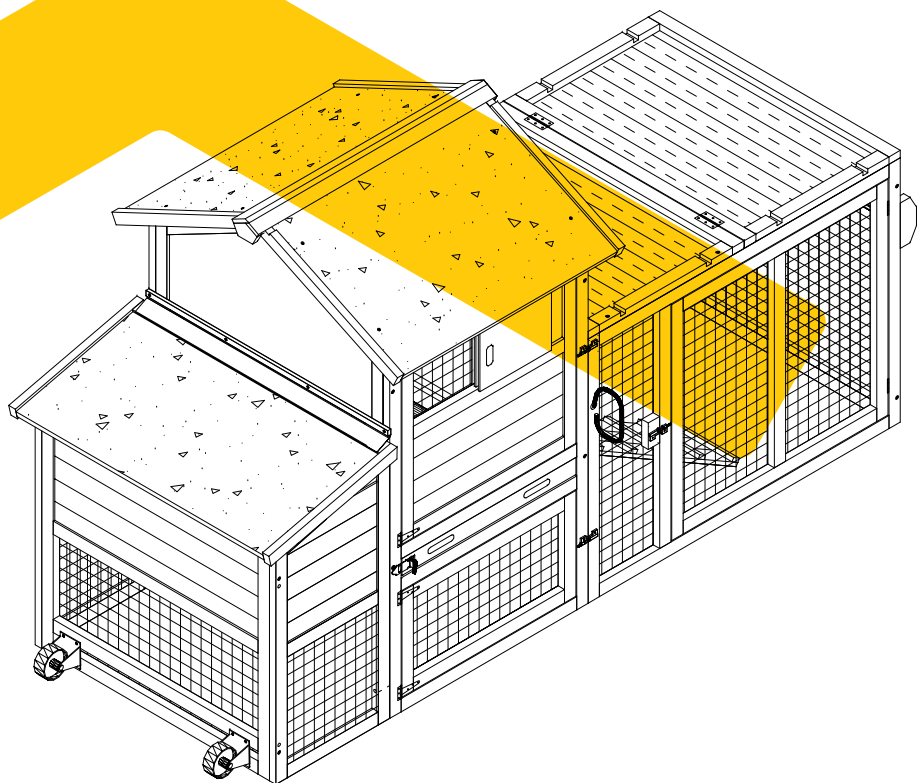


INSTRUCTION MANUAL

AIR 27



aivotuin

www.aivotuin.com



NOTICE

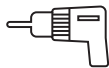
Please retain these instructions for future reference.

- Firmly secure all bolts,screws and knobs before use.
- Reconfirm that all bolts,screws,and knobs are secure every 90 days.
- Fasten screws loosely during initial assembly. Do not fully tighten screws until the item is completely assembled.
- Do not use or store this item in the proximity of open flame or flammable/combustible chemicals.
- Be aware that some parts are heavy and have sharp edges.
- Be aware that moving parts can injure,crush and cut.
- If any parts are missing,broken,damaged,or worn,stop using this product until repairs are made and/or factory replacement parts are installed.
- Do not use this item in a way inconsistent with the manufacturer's instructions as this could void the product warranty.

TOOLS REQUIRED //



PHILLIPS
SCREWDRIVER



DRILL
(RECOMMENDED)



2PERSON
ASSEMBLY



APPROXIMATELY
45MIN. ASSEMBLY

HARDWARE //

M6.0x30mm BOLT
8PCS+1spare



P1

M3.5x60mm SCREW
10PCS+1spare



P2

M3.5x45mm SCREW
2PCS+1spare



P3

M3.5x35mm SCREW
30PCS+1spare



P4

M3.5x25mm SCREW
7PCS+1spare



P5

M3.0x16mm SCREW
36PCS+1spare



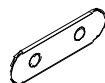
P6

M4.0x30mm BOLT
2PCS



P7

Connect pieces
2PCS

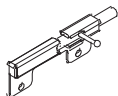


P8

(Only for 2 coops combination.
not available for one coop owner)

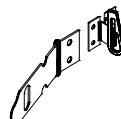
HARDWARE

Spring latch
3PCS



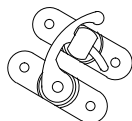
P9

Lock
2PC

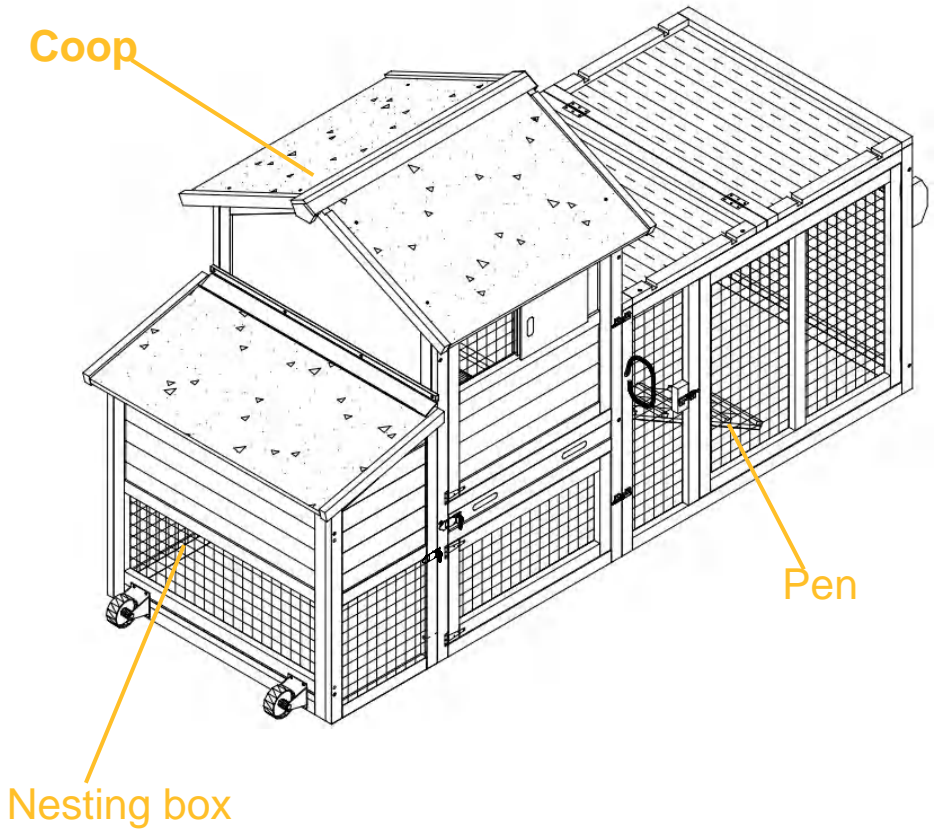


P10

Lock
1PC



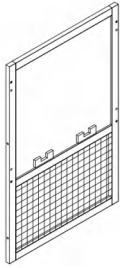
P11



PARTS

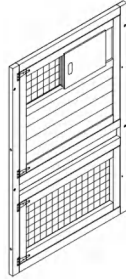
CARTON 1/2

Back panel of coop
1PC



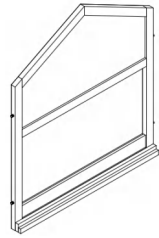
A

Front panel of coop
1PC



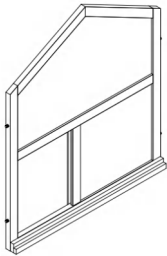
B

Left panel of coop
1PC



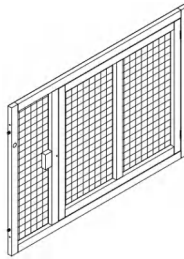
C

Right panel of coop
1PC



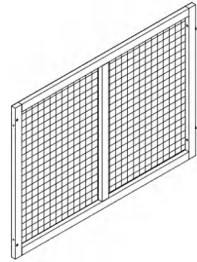
D

Front panel of pen
1PC



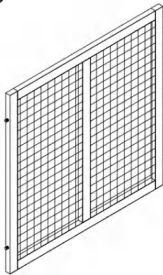
F

Back panel of pen
1PC



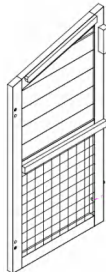
G

Side panel of pen
1PC



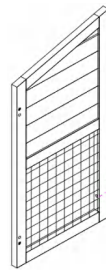
H

Left panel of nest box
1PC



J

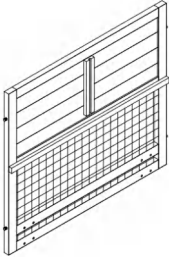
Right panel of nest box
1PC



K

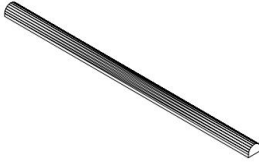
PARTS //

Front panel of nest box
1PC



L

Perch
2PCS



O

Metal ramp support
1PC



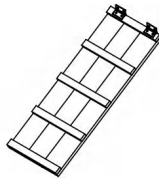
V

Casters
2PCS



U

Ramp
1PC

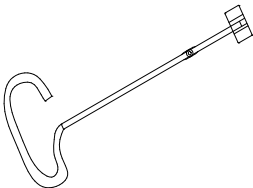


N

Hardware bag



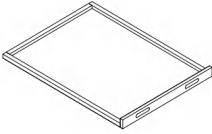
Metal Rod



PARTS

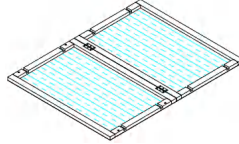
CARTON 2/2

Metal tray
1PC



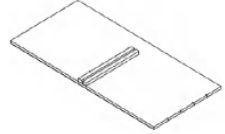
E

Roof of pen
1PC



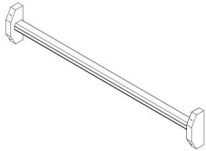
I

Bottom panel of nest box
1PC



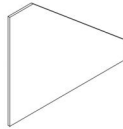
M

Push handle
1PC



Q

Divider of nest box
1PC



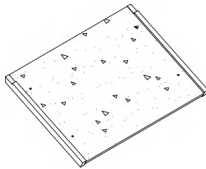
P

Roof of nest box
1PC



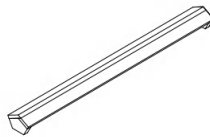
R

Roof of coop
2PCS



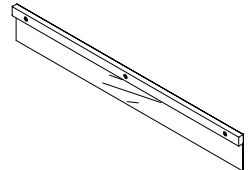
S

Roof cap
1PC



T

PVC Waterproof Strip
1PC

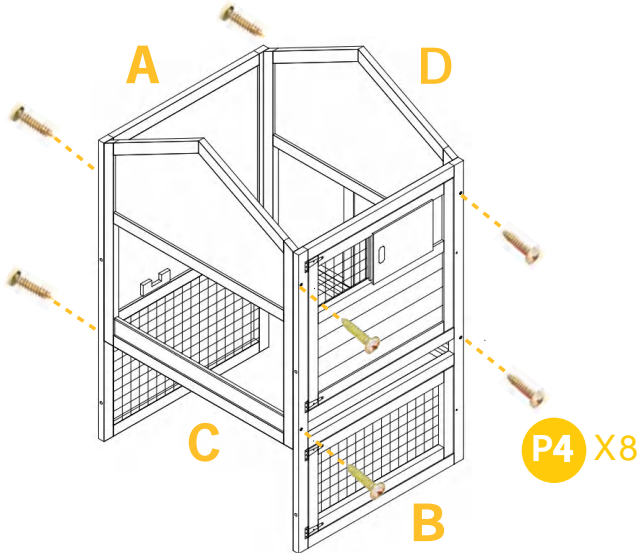


W

PRODUCT ASSEMBLY //

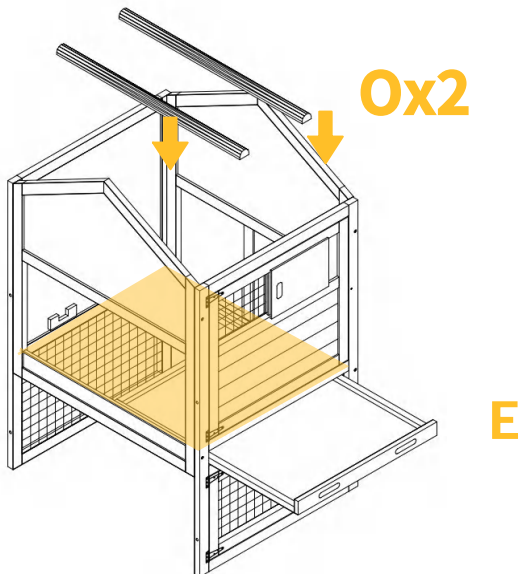
01

Attach the front Part B, the back Part A to the Part C & D by 8xP4.
Notice to align with the dowels.



02

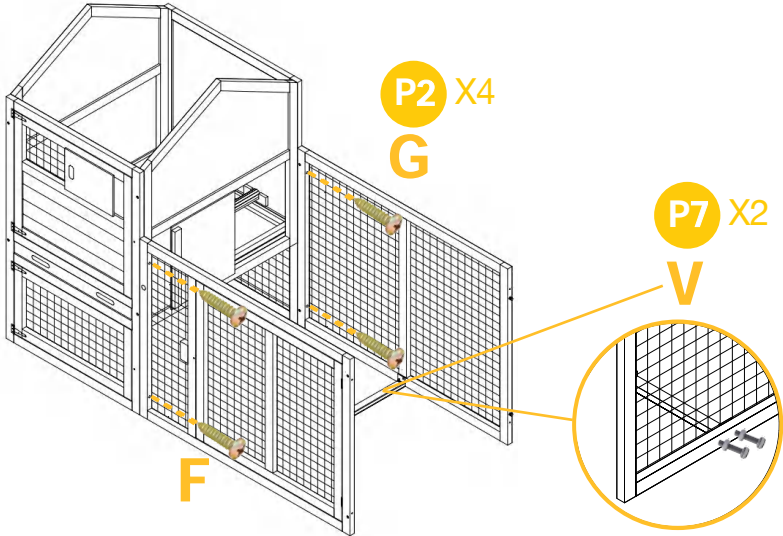
Insert perch Part O into slots inside Part A & B.
Slide in metal tray Part E.



PRODUCT ASSEMBLY //

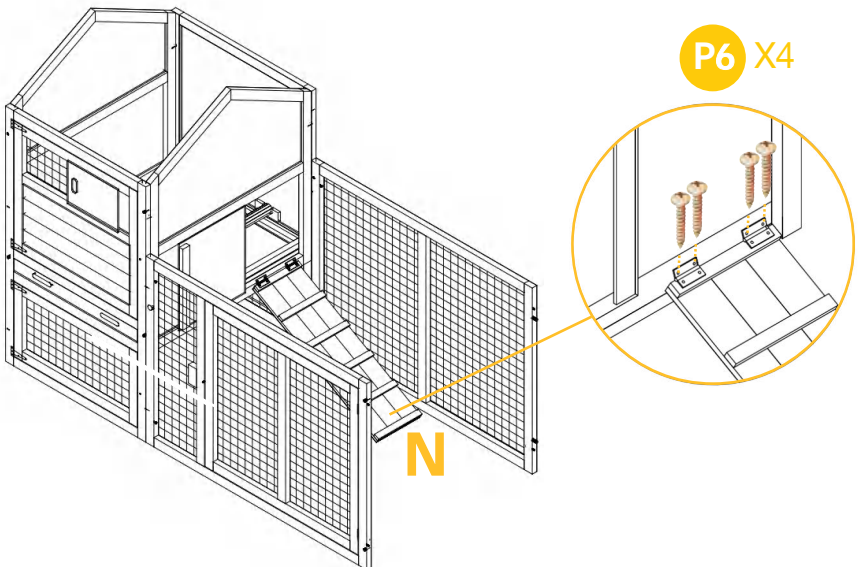
03

Ensure that all pen-panels have stapled-wire facing inside.
Attach Part F & G to coop by 4xP2.
Attach metal ramp support Part V to the back panel by 2xP7.



04

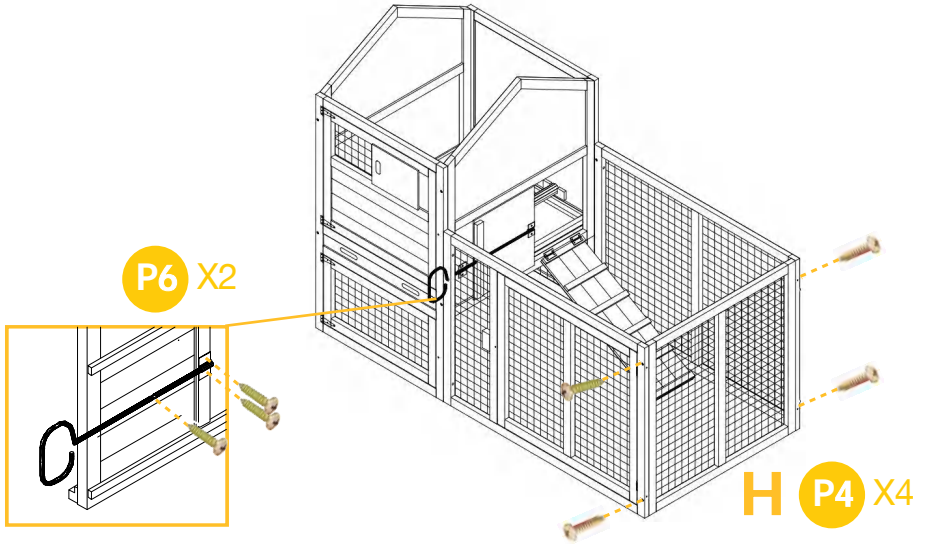
Screw ladder Part N to the bottom half of lower panel on Part D by 4xP6.
Notice not to block with the sliding door.



PRODUCT ASSEMBLY //

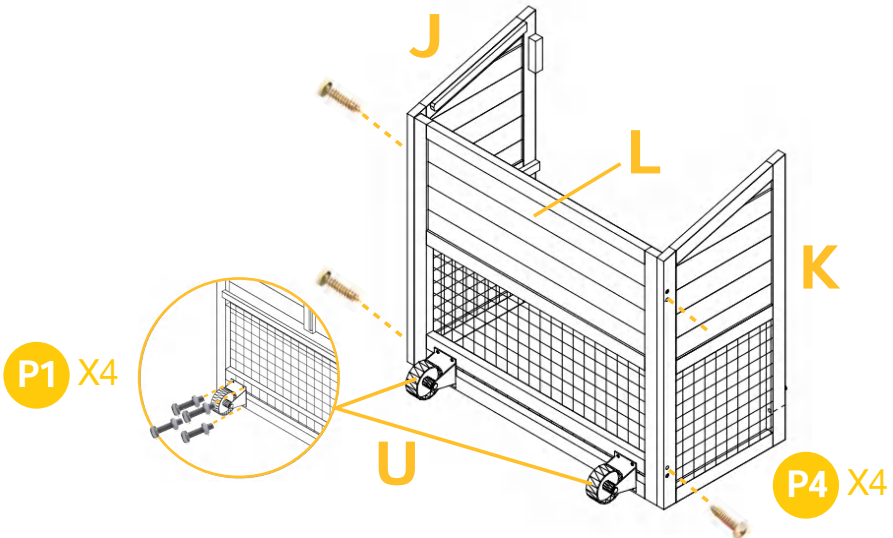
05

Attach Part H to the pen sides by 4xP4.
Notice to align with the dowels.
Attach metal rod to the slide door of panel Part D by 2xP6.



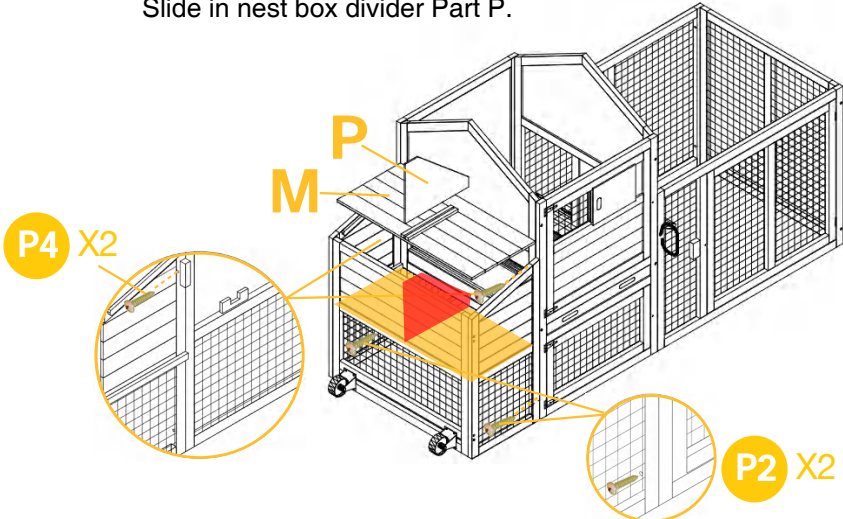
06

Attach Part L to Part J & K by 4xP4.
Attach the caster Part U to the nesting box by 4xP1 each.
(If you buy 2 coops, you do not need to assemble casters)

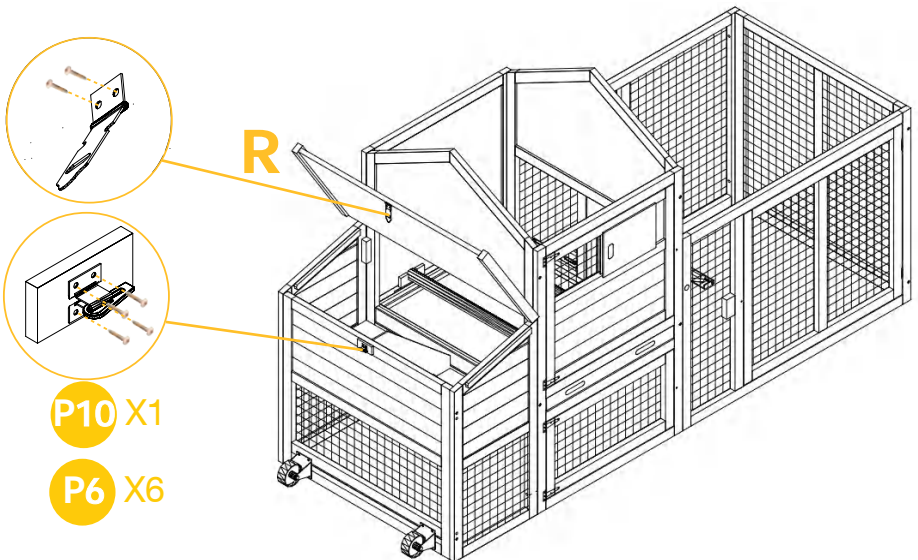


PRODUCT ASSEMBLY //

- 07** Attach the nesting box to the coop by 1xP4 & 1xP2 each side.
(Notice screw the P4 from inside in the upper position, screw the P2 from outside in the down position)
Drop in nest box floor Part M.
Slide in nest box divider Part P.

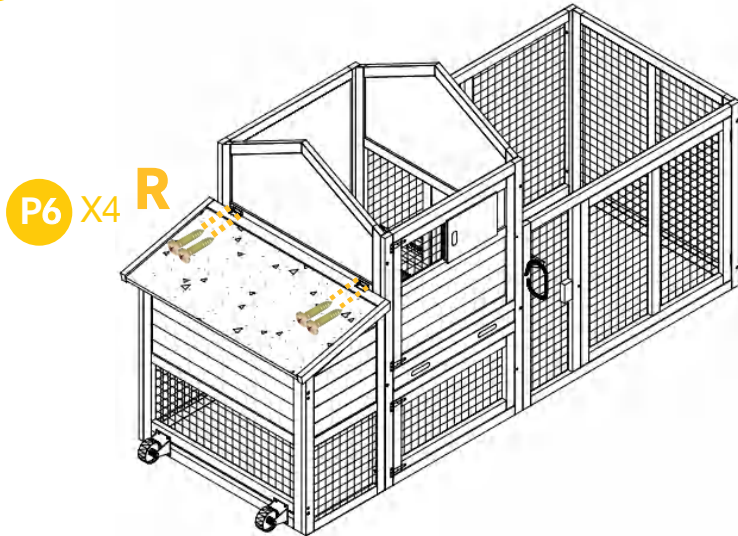


- 08** Attach the lock P10 to the nesting box by 6XP6.
Make sure the lock is functioning properly before locking the roof.

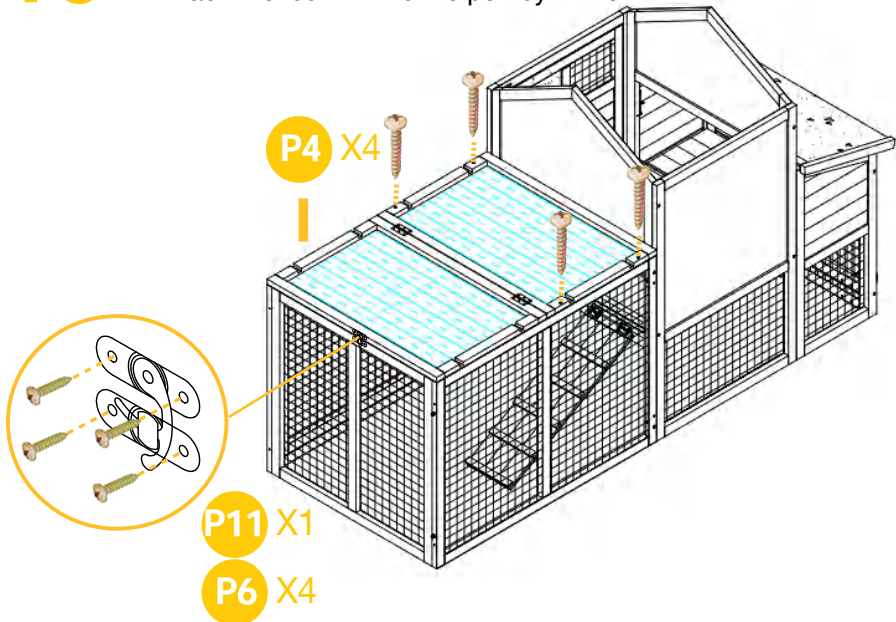


PRODUCT ASSEMBLY //

09 Attach roof of nesting box Part R to the coop by 4XP6.

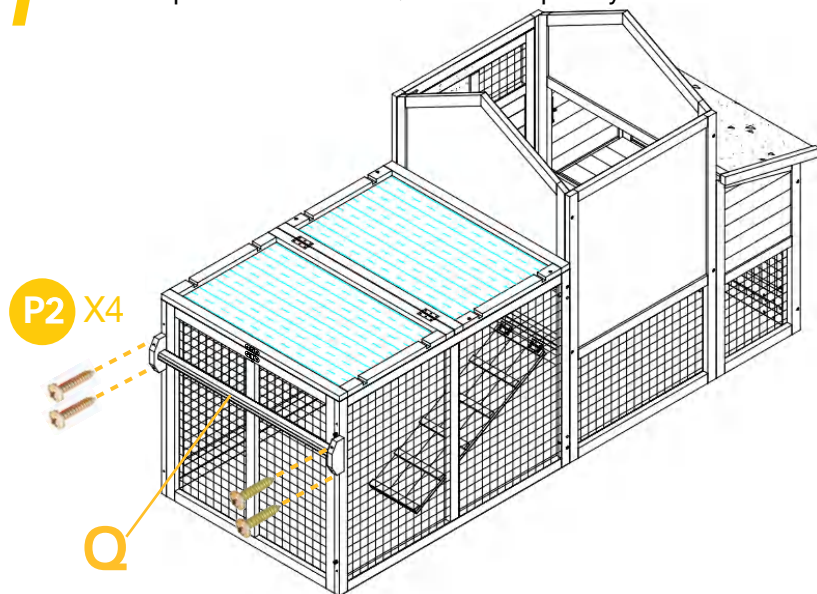


10 Attach the roof Part I by 4xP4 to complete side pen. Attach the lock P11 to the pen by 4XP6.

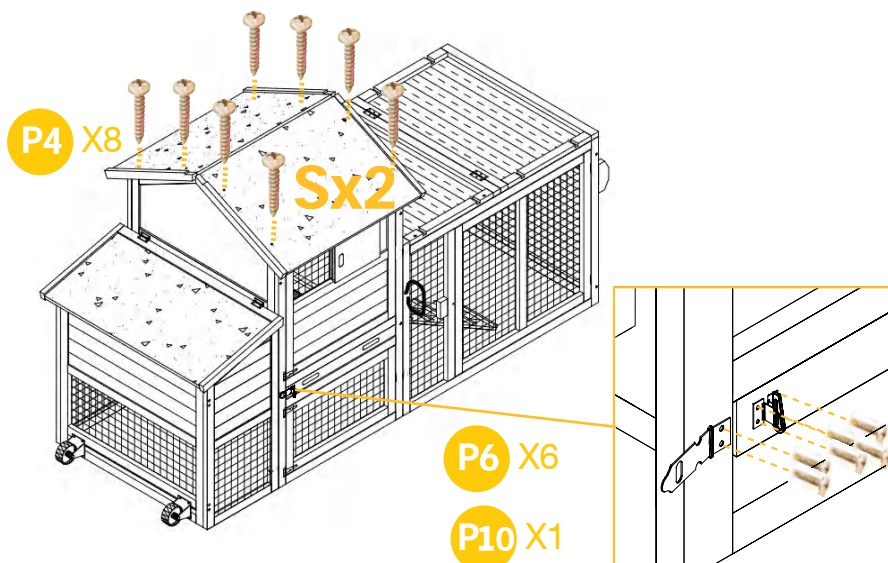


PRODUCT ASSEMBLY //

- 11** Screw the push handle Part Q to the side pen by 4xP2.

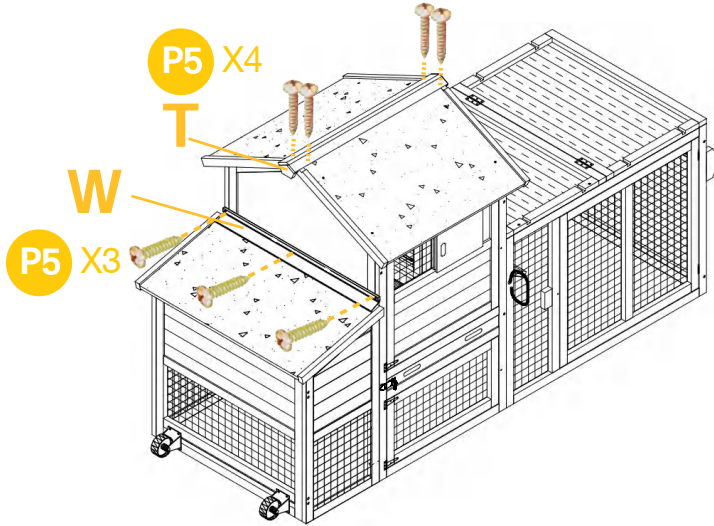


- 12** Screw roof panels Part S to the coop by 8xP4.
Attach the lock P10 to the tray by 6xP6.

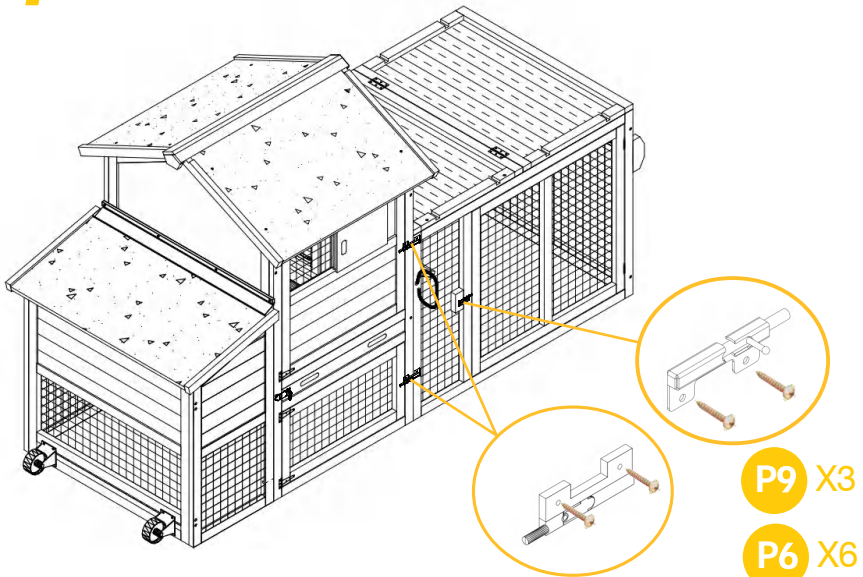


PRODUCT ASSEMBLY //

- 13** Ensure top roof panels line up with each other before screwing Part T by 4xP5.
Attach PVC Waterproof Strip Part W to the nesting box by 3XP5.



- 14** Attach spring latch P9 by 2xP6 each. Notice the direction of spring latch.

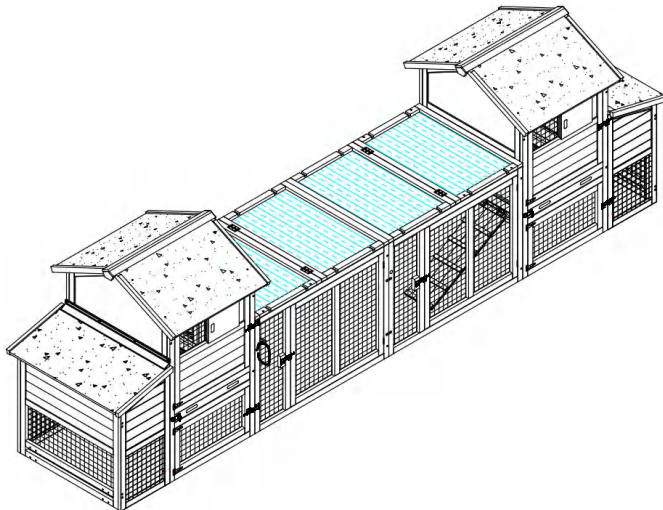
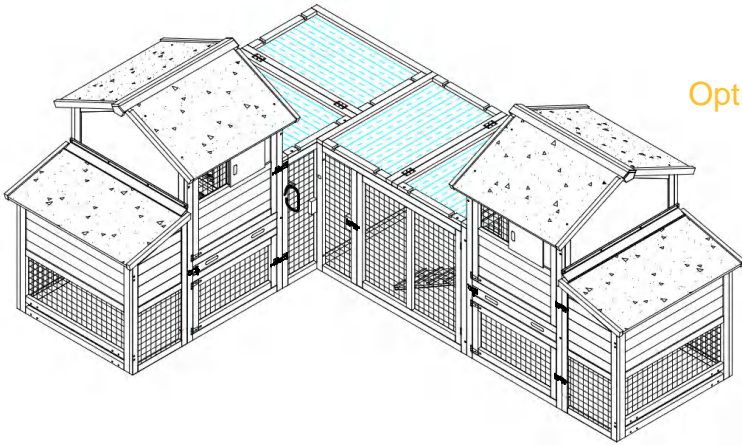


Finish here for only buying one coop

Notice

Read Before Assemble!

Pls ignore the following for only one coop owner !
The caster, the side pen panel Part H, the push handle Part Q, the metal rod ,the pen lock P11 are not needed in 2nd coop.
There are 2 different combinations for your optional choice.

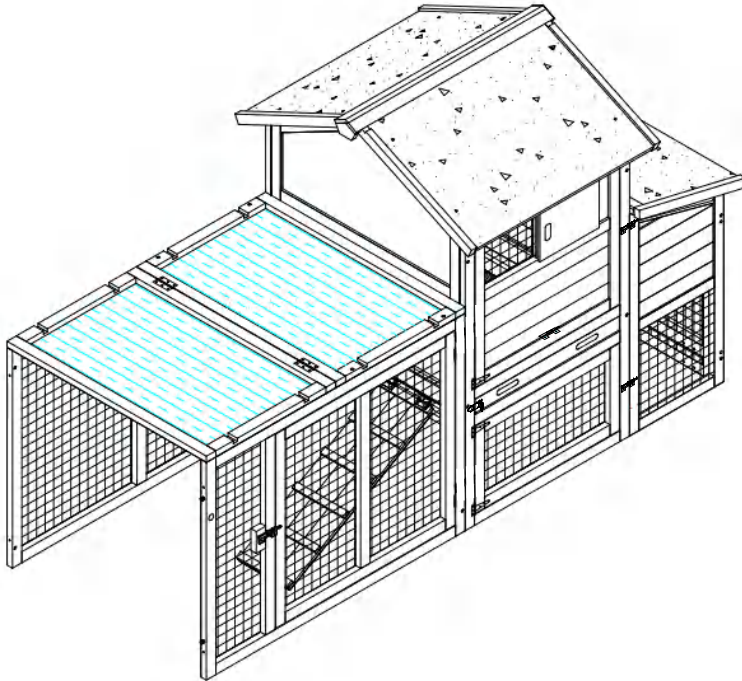


Notice

Read Before Assemble!

From Step 15 to Step 16 are assemble step for 2nd coop.

The caster, the side pen panel Part H, the push handle Part Q, the metal rod are not needed in 2nd coop.

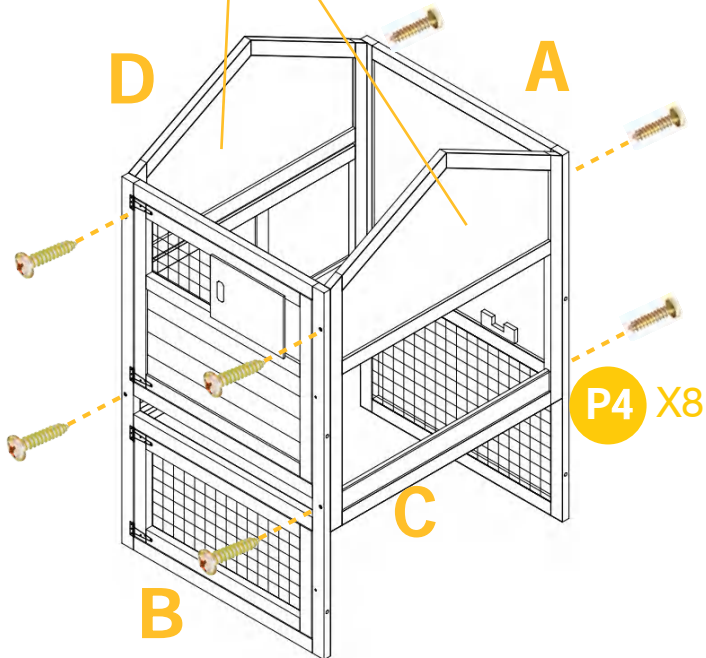


PRODUCT ASSEMBLY //

15

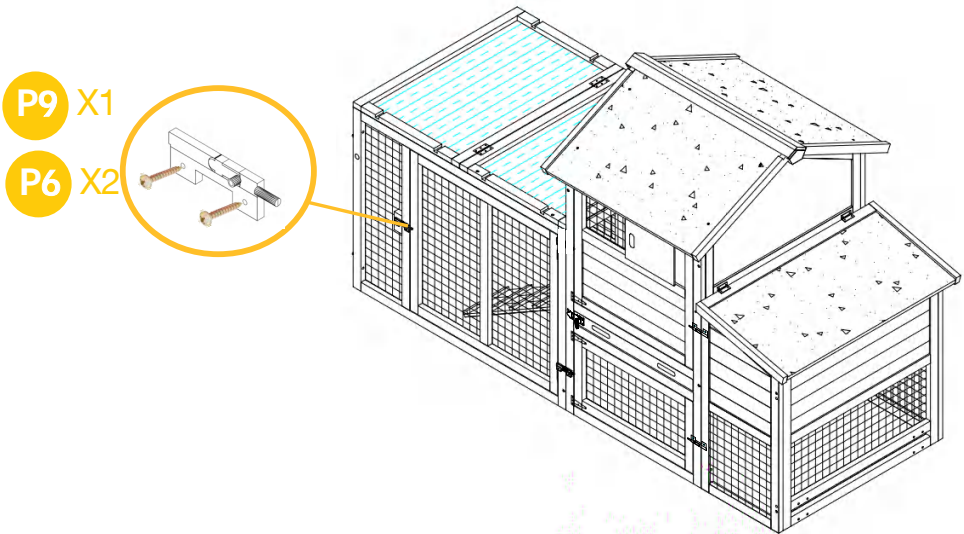
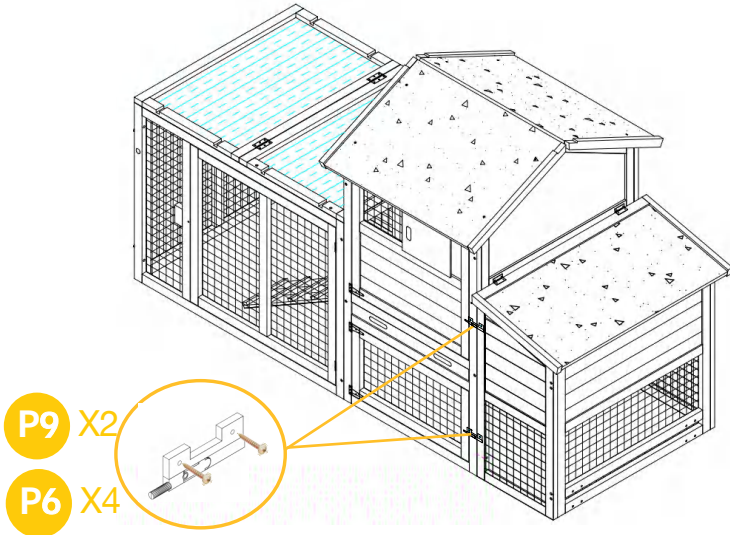
Attach the front Part B, the back Part A to the Part C & D by 8xP4.
Notice the direction of Part C & D is different with the 1st coop.
(Very important)
Repeat the same assembly ways from step 2-step13 the same as the 1st coop.

!
Notice the direction of
Part C & D is different
with the 1st coop.
(Very important !)



PRODUCT ASSEMBLY //

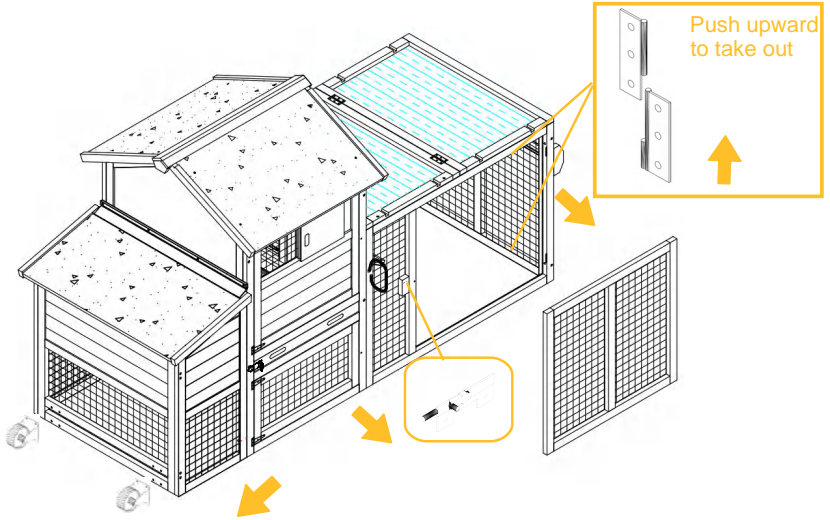
16 Attach spring latch P9 by 2xP6 each. Notice the direction of spring latch.



OPTION 1

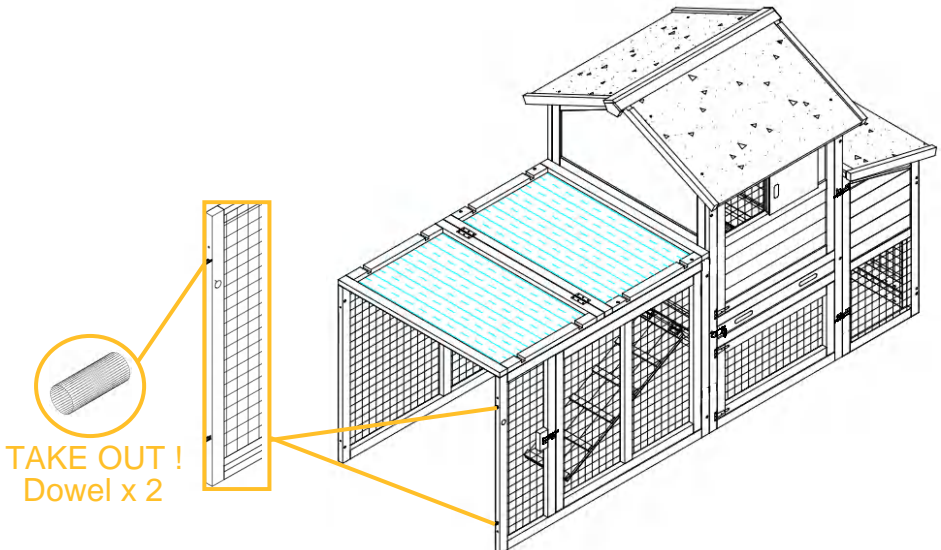
17

Take out the casters for the first coop.
Push upward the hinge to take out the door of the front pen of the 1st coop.
Take out the spring latch on the pen of the 1st coop.



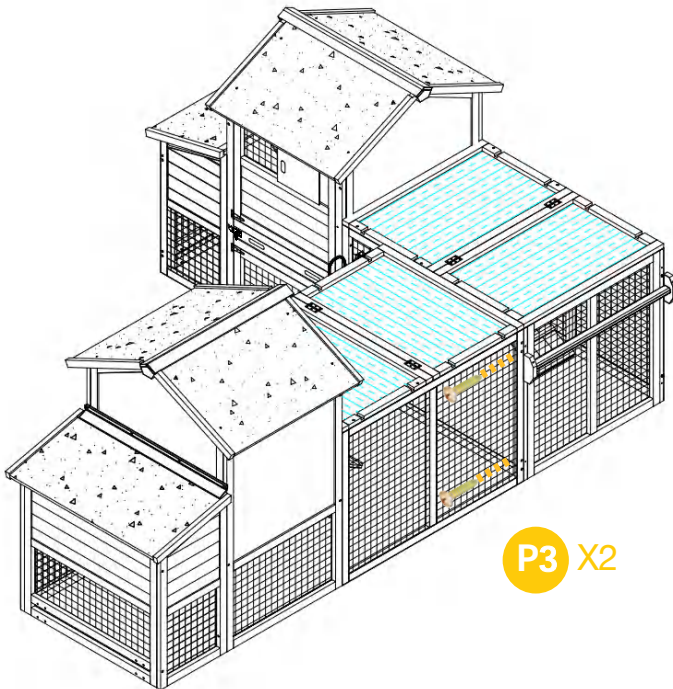
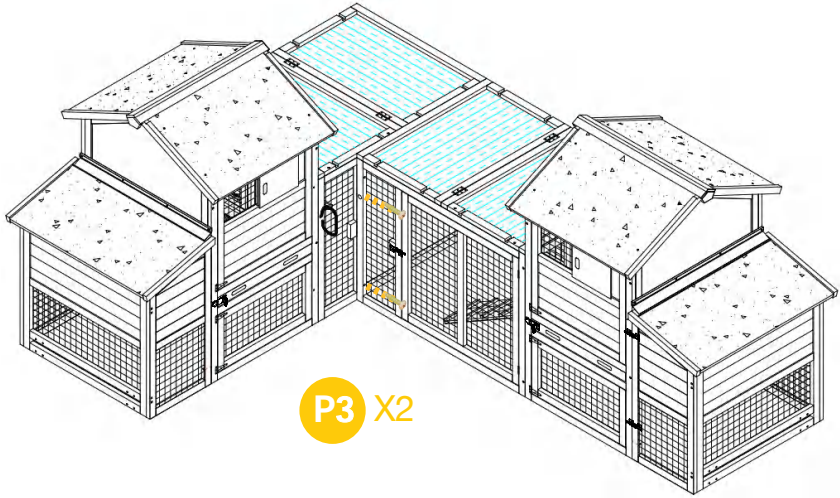
18

Take out 2xDowel on the left side of front pen panel of the 2nd coop.
(Suggest to use pliers)



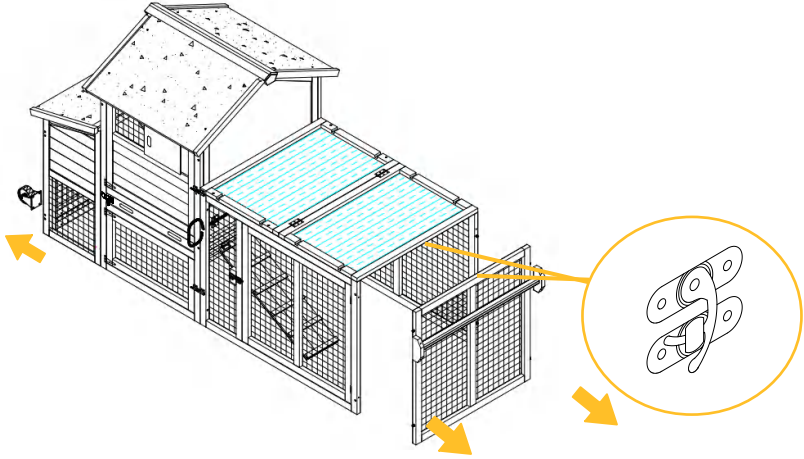
PRODUCT ASSEMBLY //

19 Attach second coop to the first coop by 2xP3 each side.

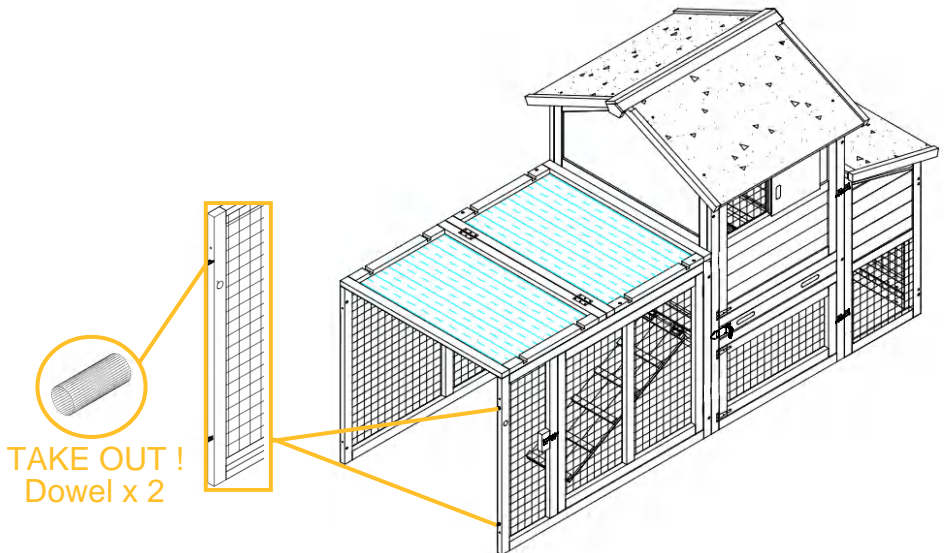


OPTION 2

- 20** Take out the casters of the first coop.
Take out the side pen panel Part H of the first coop.
Take out the pen lock of the first coop.

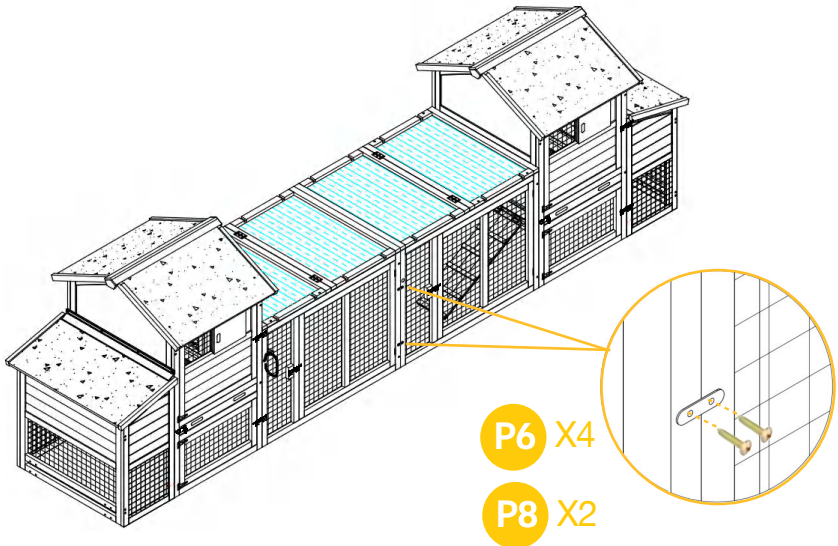
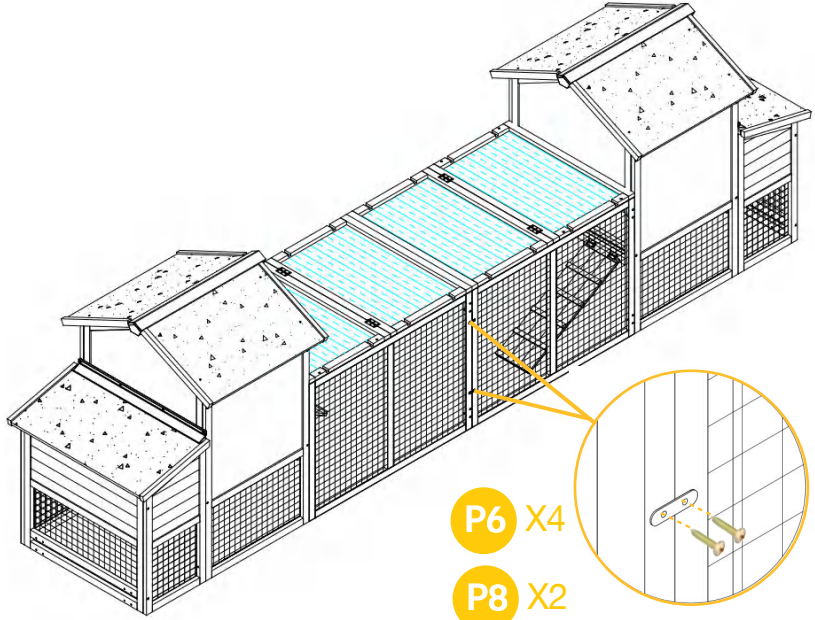


- 21** Take out 2xDowel on the left side of front pen panel of the 2nd coop.
(Suggest to use pliers)



PRODUCT ASSEMBLY //

22 Screw the Connect Piece 2xP8 to the middle frame of the 2 coops by 4xP6 each side.





WARNING

Manufacturer and seller expressly disclaim any and all liability for personal injury, property damage or loss, whether direct, indirect, or incidental, resulting from the incorrect attachment, improper use, inadequate maintenance, or neglect of this product.