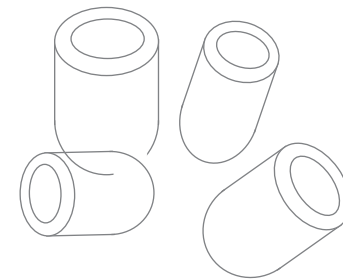




Ice Maker

Instruction Manual

Model: EP23409



Thank you for selecting our Automatic Ice-Maker!
To ensure the proper operation of this ice maker, please read the instruction carefully before use and please keep it for inspection in case troubles occur.

CONTENT

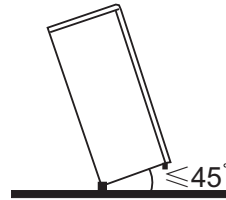
FEATURES	1
NOTES BEFORE OPERATION.....	1
STRUCTURE.....	2
OPERATION PROCEDURES.....	3
MAINTENANCE.....	4
TECHNICAL PARAMETERS.....	4
CIRCUIT DIAGRAM.....	5
TROUBLE AND SHOOTING.....	6

FEATURES:

Our ZB series Automatic ice makers are designed in cubic shape with the curved front panel and curved door (or stainless steel flat front panel and flat door) for nice appearance. Many advantages of the ice maker are available, such as ice making quickly, great ice making capacity, nice ice shape and ice dropping quickly. Water inlet ~ water filling ~ ice making ~ water releasing and ice dropping, all these processes are automatically controlled for ice making continuously. In case of water shortage or ice full in cabinet, the indicator on the operation board will light on accordingly and the ice maker will stop operation automatically. The ice storage cabinet is PU foamed, so it is insulated well and it could prevent the ice from melting.

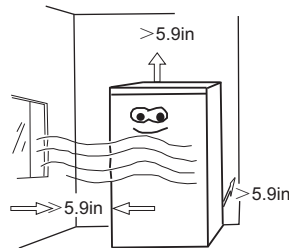
NOTES BEFORE OPERATION:

1. The incline angle of the cabinet could not be over 45 during transportation. Don't make ice maker upside-down in case the compressor or refrigerating system troubles occur.



2. When use for the first time or when restart after long period of unused, the ice made for the first two times is not edible, it is the self-cleaning process of the ice making system.

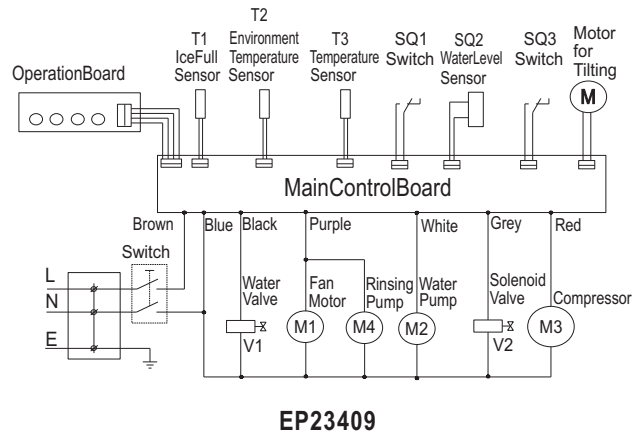
3. The ice make should be placed on horizontal and structurally sound ground and away from heat source and corrosive gas. EP23409 ice Maker At least about 5.9in room should be left around the ice maker to ensure the fine ventilation.



TROUBLE AND SHOOTING (for reference of users and technicians)

TROUBLE	CAUSE	REMEDY
The ice maker does not work	1 The voltage is out of the limitation. 2 The ambient temperature is lower than 50°F	1 Stop the ice maker and restart it until the voltage is normal. 2 Try again when the ambient temperature higher than 50°F
Water shortage indicator lights on.	1 Water shortage from the water supply system. 2 Water valve damaged 3 Tap water pressure too low.	1 Check the water supply. If it is OK, restart the maker. 2 Check the water valve. 3 Be sure the tap water pressure is higher than 0.07ibs/in ²
Compressor doesn't work	1 Water shortage. 2 Ice full.	1 Check the water supply system (water valve and water supply tube). 2 Take out some ice.
Compressor works, but no ice is made.	1 Refrigerant leakage. 2 The refrigerating system is blocked.	1 Recharge the refrigerant and check the leakage again. 2 Charging N ₂ to check whether the system is blocked and replace the dryer-filter. 3 Replace the solenoid valve 4 Check whether the fan is running.
It is difficult for ice dropping or ice can not be dropped.	1 Water temperature or ambient temperature is too low. 2 The solenoid valve is damaged.	1 Check whether the ambient temperature is too low. (Lower than 50°F) or water temperature is too low (lower than 44.6°F) 2 Replace the solenoid valve.
Trouble indicator lights on.	The water box does not tilt.	Unplug the power, check the tilting motor and the relative system. 3~5 minutes later restart the machine.

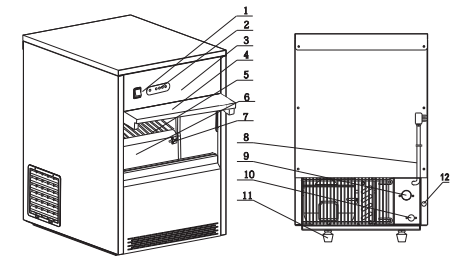
CIRCUIT DIAGRAM



Please make sure nothing covers the ventilation holes of the ice makers.

4. Please adjust the feet when placing the ice maker some where, otherwise the water level will be effected and so do the ice shape. Before using the ice maker for the first time, you should wait about 12 hours after positioning it in a proper place.
5. The outlet of drainage tube should be lower than cabinet so as to drain water easily.
6. The separate three-pole outlet should be used and the grounding must be good.
7. If the ice maker will be unused for long periods of time, please screw off the plastic drainage connector screw on the back of the ice maker so as to drain the surplus water in the water groove. Then screw it on. Wipe the inner liner of the ice storage container with a clean rag.

STRUCTURE:



EP23409

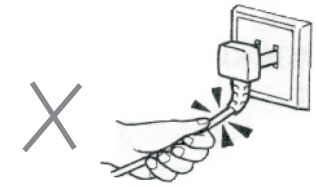
- | | |
|-----------------------|--------------------------|
| 1. Power Switch | 2. Display panel |
| 3. Front Panel | 4. Door |
| 5. Ice Bouncing Shelf | 6. Ice Storage Container |
| 7. Ice Lever Sensor | 8. Power Cord |
| 9. Water inlet Valve | 10. Drainage Tube |
| 11. Bottom Foot | 12. Drainage valve |

OPERATION PROCEDURES:

1. Unpack the ice maker from its carton, then remove the ice shovel, inlet/outlet tubes, and sealing washers, from the container in the ice maker where they are packed for transit.
2. Position the ice maker on a well ventilated place, leaving at least a 5.9in gap between the ice maker and the walls/ceiling etc. The ice maker must be level, and situated away from any heat source.
3. Attach one end of the $\phi 0.47$ in flexible plastic corrugated pipe to the water outlet on back of machine. The other end of the pipe should be inserted into a plumbed in stand waste pipe, or a suitable container for the collection of the waste water.
4. connect the 3/4" water inlet hose, supplied with the ice maker, to a drinking water supply and then connect the other end to the water inlet on the back of the machine. When connecting this hose, use the sealing washers supplied with the ice maker to eliminate the risk of a water leak. The water pressure must be a minimum of 0.07lbs/in² or 14.7 psi and a maximum of 0.56 lbs/in² or 117psi.
5. Plug the power lead in to the supply socket, then press the green on/off switch on the ice maker to start it, the green "run" light will be lit. The ice maker will start to operate.
6. The operation of the ice maker is completely automatic unit the ice is removed from the container. Water supply-ice making-ice transfer-ice storage.
7. If the storage container is full with ice, the "ice full" indicator on the display panel will light, and the ice maker will stop automatically. Remove the ice from the storage container, wait for five minutes, then restart the ice maker.
8. Should the water supply be restricted or fail, the "water low" light will be lit. The ice maker will stop automatically. When the water supply is restored, wait for at least five minutes then re-start the ice maker.

MAINTENANCE:

1. If the compressor stops for any reasons like water shortage, too much ice, power off, etc., Don't restart it right away. You can restart it 5 minutes later to protect compressor.
2. Check regularly the connectors of the water inlet and outlet tubes and drain the little surplus water that may occur.
3. If the ice maker will be unused for long periods of time, please screw off the plastic drainage connector screw on the back of the ice maker so as to drain the surplus water in the water groove. Then screw it on. Wipe the inner liner of the ice storage container with a clean rag.
4. When plugging or unplugging, the plug should be held by hand and the wires should not be dragged heavily.
5. Please clean the ice maker and its water supply system for one time every month. The ice maker should be unplugged before cleaning.



TECHNICAL PARAMETERS

(tested under the conditions of ambient temperature 59°F and tap water temperature 50°F)

Model	Ice Making Capacity (LBS/24h)	Electric Shock Protection Class	Voltage (V)	Power Input (W)	Ambient temperature °F	Dimensions LXDHX (inch)	Decibel
EP23409	≥70	I	115V/60Hz	290	50°F~109.4°F	16.5X20.2X25.8	55db

The specifications are subject to be changed without notice. Please check the nameplate for sure.