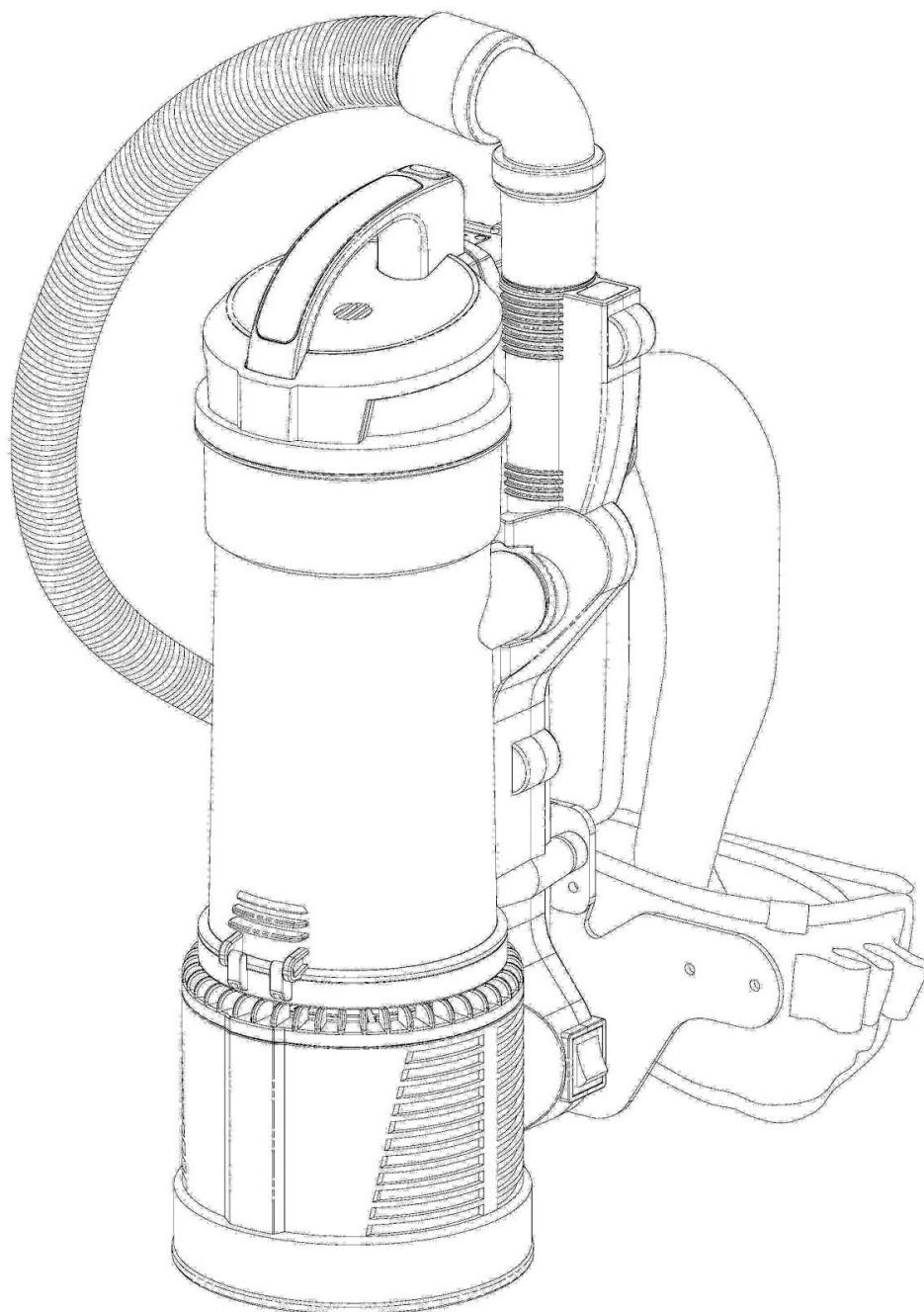


PROLUX 2.0 BAGLESS BACKPACK VACUUM CLEANER

MODEL: 2.0-B

Operation Manual

Read all instructions before using this appliance



For your safety please read the owner's manual in its entirety before use.

Congratulations on purchasing your very own Prolux 2.0 Bagless Backpack Vacuum! The Prolux 2.0 is the world's ONLY bagless backpack vacuum. Because backpack vacuums can cut cleaning time in half, many companies use them to clean commercial buildings. Now you too can enjoy up to 50% less cleaning time! Weighing only 9lbs., and with 125 CFM, this vacuum is over 40% lighter and more powerful than the competition! The Prolux 2.0 comes with a 5-year motor warranty, and thanks to its state-of-the-art Motor Bypass Technology, you won't have to worry about overheating due to a clogged hose. With its simple-to-use design, and easily attachable cleaning accessories, the Prolux 2.0 will surely become your favorite appliance to use!



Table of contents

Specifications	3
Safety Precautions	4
Assembly	
Getting To Know Your Vacuum	6
Using The Accessories & Tools	9
Operation	
Operating Instructions/Adjusting The Harness	12
Maintenance	
Charging The Battery Pack	13
Emptying The Dust/Dirt Container	16
Changing/Cleaning The Intake Vortex Filter	16
Changing/Cleaning The HEPA Exhaust Filter	17
Cleaning The Housing	17
Troubleshooting	18
Warranty	19

Specifications

- Lightweight – Only weighs 9 lbs.
- Powerful 1400 Watt, 12 amp motor
- Amazing 75 Cubic Feet per Minute of Airflow! (Most battery-powered vacuums only have 45 CFM)
- 95 Inches of Water Lift
- Motor Bypass valve, which adds years of life to the Motor
- 5 Year motor Warranty and 3 Year body Warranty. (90 days on the motor and body if used commercially)
- Cleans twice as fast as standard Upright Vacuums.
- 3-Stage filtration:
 - HEPA H13 Filter, which keeps the air clean with 99.95% efficiency
 - Patented Prolux Cyclonic Filtration Technology ©
 - Micron Filter
- Two (2) 30 minute 25.2V Li-ion batteries for up to one hour of cleaning time
- 1.5L dust bin capacity.
- Commercial grade 1-1/2” attachment set.

IMPORTANT SAFETY INSTRUCTIONS

READ ALL INSTRUCTIONS IN THIS OPERATING MANUAL BEFORE USING THIS APPLIANCE.

When using an electrical appliance, basic precautions should always be followed, including the following:

Keep the operating manual for reference. Include the operating manual if you pass the appliance to third parties. **Violations of the operating instructions can lead to severe injuries as well as damage to the appliance.** Prolux takes no responsibility for damages due to violations of these operating instructions.

Notices Given:

Notices for your safety are specially marked. Always observe these notices to avoid any damage to the appliance.

WARNING: Warning concerning health hazards describing possible risks of injury.

ATTENTION: Warning concerning possible dangers to the appliance or other objects.

NOTE: Highlights tips for you.

WARNING - To reduce the risk of fire, electric shock, or injury:

1. Remove the battery from the vacuum when not using.
2. Use only as described in this manual. Use only the recommended attachments, battery, charger, and replacement parts.
3. To reduce the risk of electric shock, do not use outdoors, on wet surfaces, and do not use for wet pickup/cleanup.
4. If the vacuum cleaner is not working as it should, has been dropped, damaged, left outdoors, or dropped into water, take it to a service center before use.
5. Do not handle the vacuum cleaner with wet hands.
6. Do not put any object into the openings of the vacuum. Do not use the vacuum with any openings blocked. Keep openings free of dust, lint, hair and anything that may reduce airflow.
7. Keep hair, loose clothing, fingers and all body parts away from openings and moving parts of the vacuum.
8. Use extra care when cleaning on stairs.
9. Do not use to pick up flammable or combustible liquids, such as gasoline, or use in areas where they may be present.
10. Do not pick up anything that is burning or smoking, such as cigarettes, matches, or hot ashes.
11. Do not use without dust bag and/or filter in place.
12. If the battery or charger is damaged, the manufacturer or an authorized service center must replace it, in order to avoid a hazard.
13. This appliance is not intended for use by persons (including children) with reduced physical, sensory or Mental capabilities, or lack of experience and knowledge, unless they have been given supervision or instructions concerning the use of the appliance by a person responsible for their safety.
14. Children should be supervised to ensure they do not play with the appliance.

Do not vacuum or clean:

- Hair and other parts of the body. They could be sucked in and cause injury.
- Pieces of Clothing (e, g, shoe laces, scarves, etc.). They could be sucked in and cause injury.
- Water and other liquids, especially moisture from carpet cleaning agents. Moisture inside the appliance can lead to short-circuiting.
- Toner dust (from laser printers, copying-machines, etc.). There is danger of fire or explosion.
- Hot ash, burning cigarettes or matches. This could cause a fire.
- Pointed objects such as glass shards, nails, etc. Such objects destroy the filters.
- Plaster, cement, and fine drilling-dust, makeup, etc. The filters may clog causing damage to the appliance.

Never use the appliance near flammable or explosive materials -- there is danger of fire or explosion.

Never use the appliance outdoors -- there is danger of rain and dirt destroying the appliance.

Never stick objects into the appliance's openings -- it could cause the appliance to overheat.

Cord Connection

The vacuum and battery charger run on electricity, that means there is always a risk of electric shock, so please observe the following:

- Never touch the plug with wet hands.
- Always pull the plug directly to disconnect the appliance from the outlet. Never pull on the cord, as it might break.
- Make sure the power cord is not bent, pinched, rolled over, or makes contact with heat sources.
- Only use extension cords suited to the power requirements of the appliance.
- Never immerse the appliance in water or other liquids.
- Only operate the appliance if your outlet voltage is the same as indicated on the appliance's nameplate. Using the wrong voltage can destroy the appliance.
- If the power cord of this appliance is damaged it must be replaced by the manufacturers, their authorized service representative, or a similarly qualified person to avoid danger to the user.

Never use a defective appliance or operate an appliance with a defective power cord. There is major risk of injury.

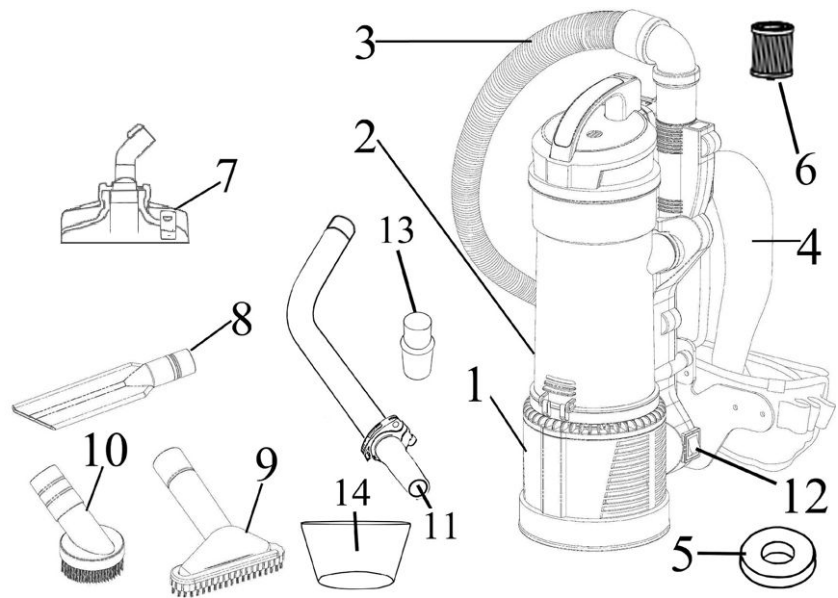
Children

Never leave the appliance unattended, and use with special precaution if children or persons who cannot judge dangers are nearby.

Persons (including children) who are unable to safely operate the appliance on account of physical, sensory, or mental abilities, or lack of experience or knowledge should only use this appliance under supervision or instruction of a responsible person. Packing materials are not toys. There is danger of suffocation. KEEP OUT OF REACH OF CHILDREN.

GETTING TO KNOW YOUR BACKPACK VACUUM

1. Main Motor Unit
2. Dust Container
3. Flexible Hose
4. Shoulder Straps
5. Exhaust HEPA Filter
6. Air Inlet Vortex Filter
7. Carpet/Floor Brush
8. Crevice Tool
9. Upholstery/Pet Hair tool
10. Dusting Brush
11. Quick Adjusting Telescoping Wand
12. ON/OFF Power Switch
13. Tool Adapter
14. Self-Cleaning Filter Cone



ASSEMBLY AND OPERATING INSTRUCTIONS

NOTE: Always remove the power plug from the wall outlet before assembling or removing accessories.

ATTACHING THE FLEXIBLE HOSE & TELESCOPIC WAND TO THE VACUUM

The flexible hose should be connected before strapping the unit on.

1. To connect the flexible hose to the unit, slide the hose connector over the air inlet (Fig 1).
2. To connect the flexible hose to the telescopic wand, slide the attachment end of the hose connection over the lower end of the telescopic wand (Fig 2).
3. To adjust the wand, locate the blue clamp and pull up on the release lever to release tension from the clamp. Once tension has been released, you can adjust the wand to desired length. If the wand still does not move, locate and loosen the small set screw on the opposite side of the lever.
4. To remove the flexible hose, turn the vacuum off and pull the hose connector from the air inlet.
5. Pull the handle out from the telescopic wand (Fig 2).

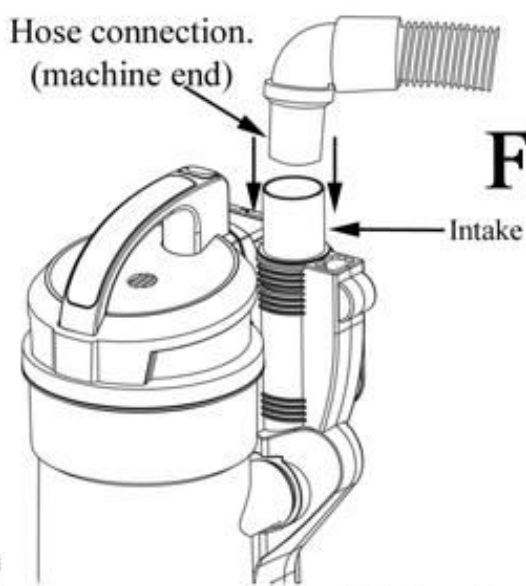


Fig 1

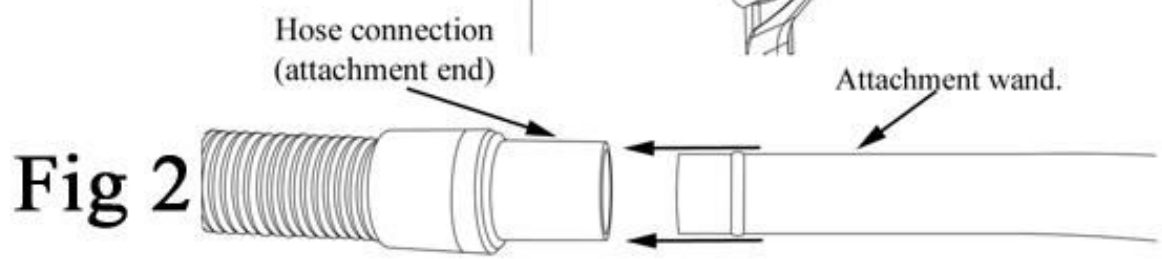
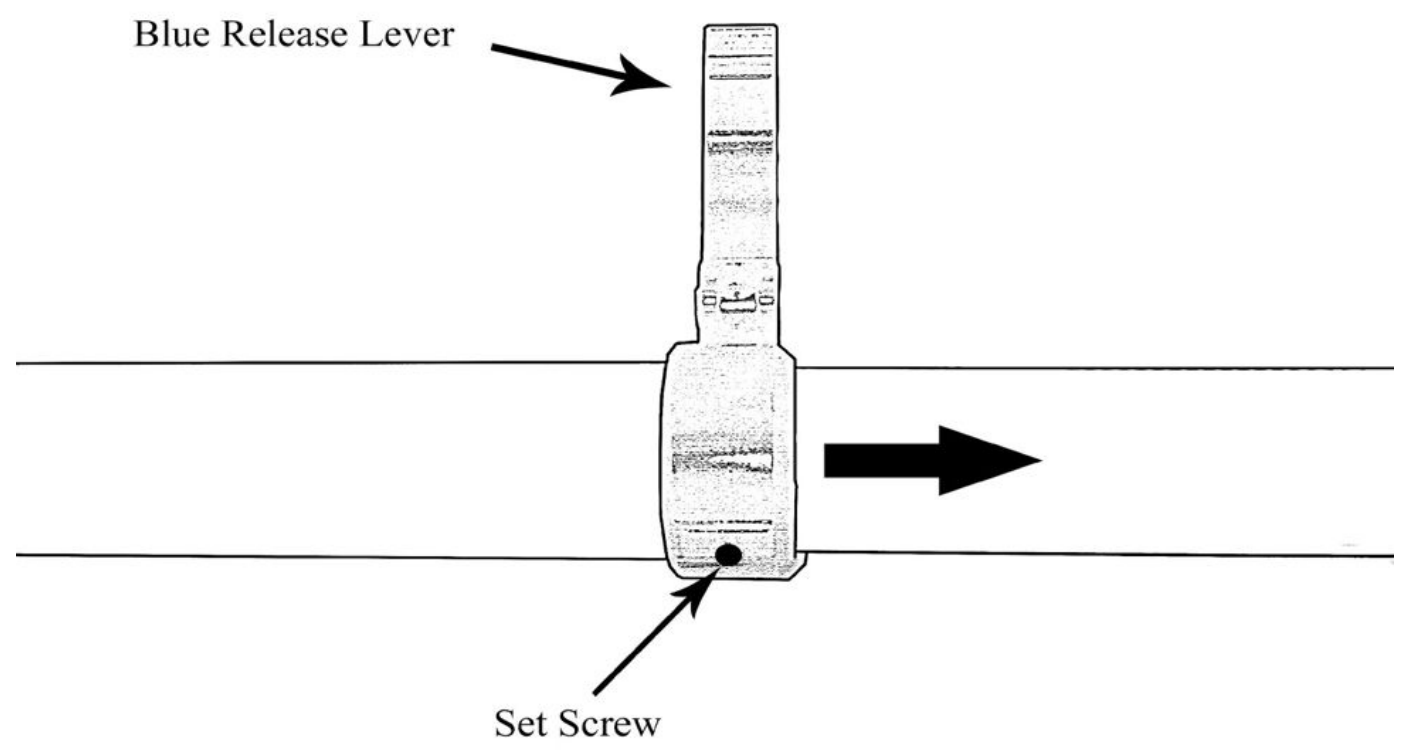


Fig 2



USING THE ATTACHMENTS

DUSTING BRUSH

The Dusting Brush is used for all types of furniture. (Fig 3)

CREVICE TOOL

Use for cleaning radiators, cracks & crevices along corners, baseboards, and in-between cushions. (Fig 4)

PET HAIR REMOVAL BRUSH

The unique design makes it an excellent tool for removing unwanted pet hair from virtually any surface. (Fig 5)

NOTE: This tool is not a grooming tool and should not be used on animals.

Caution: DO NOT use the Pet Hair Removal Brush on delicate or woven fabrics that may snag.

DO NOT use the Pet Hair Removal Brush on wooden floors as this accessory may cause mild scratching or scarring of the surface. Always test a surface in an area that cannot be seen before use.

CARPET/FLOOR BRUSH

The ProLux 2.0 includes a specially designed floor tool that can be used on any surface without switching attachments. Easily transition between high pile carpets, low pile carpets, and hard floor surfaces. (Fig 6)

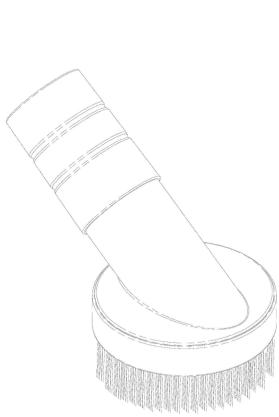


Fig 3

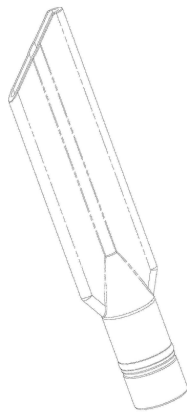


Fig 4

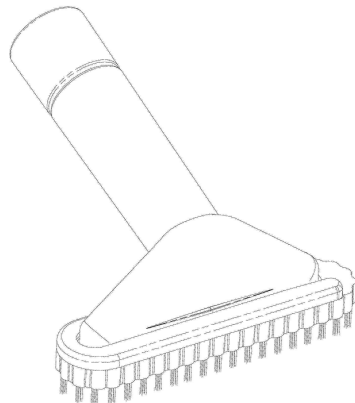


Fig 5

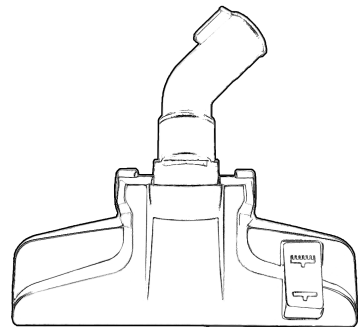


Fig 6

CONNECTING THE ATTACHMENTS TO YOUR WAND

NOTE: When using the Duster, Crevice, and Upholstery Tool, make sure to use the adapter provided with your Backpack Vacuum Cleaner.

Connecting the tools to your telescopic wand is quick and easy. The tools use a Friction Fit Connection which means you push the tool on to the wand (or adapter if applicable) and twist in either direction. (Fig 7)

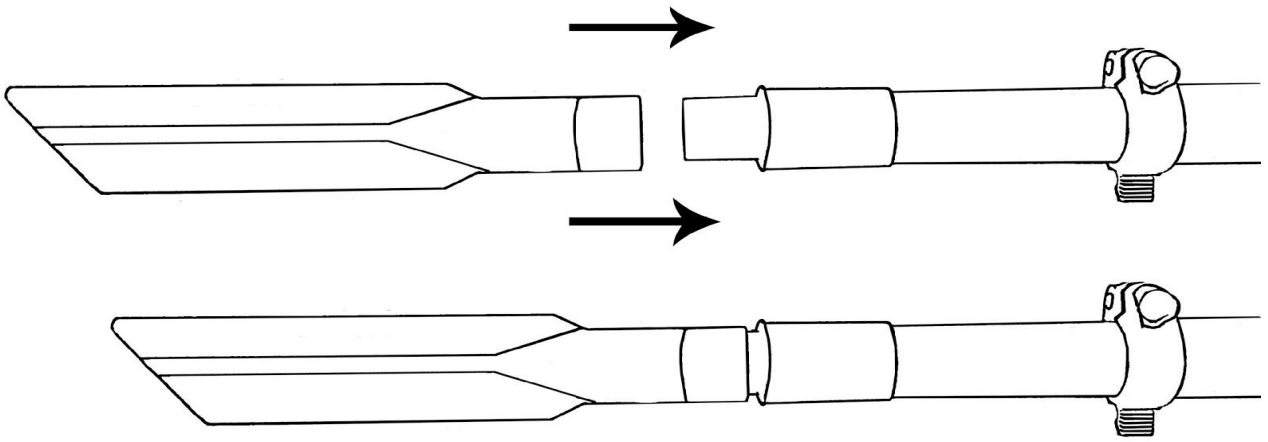


Fig 7

PROPER VACUUMING TECHNIQUE WITH THE PROLUX 2.0 FLOOR TOOL

When vacuuming with your Prolux 2.0, you may vacuum using the standard forward and backwards vacuuming motion as you would with standard vacuum cleaners. However, because of the new Prolux 2.0 floor tool design, you can vacuum an area by vacuuming in half circle motions and vacuum the same area twice as fast.

- Start by holding the wand as seen in (Fig A).
- Now twist at the waist in a side-to-side motion creating large “half circles” with the floor tool as you walk forward or backward. Vacuuming this way exerts less energy, which creates less fatigue on the arms and upper body, and is two times faster than vacuuming using the traditional forward and backward motions.

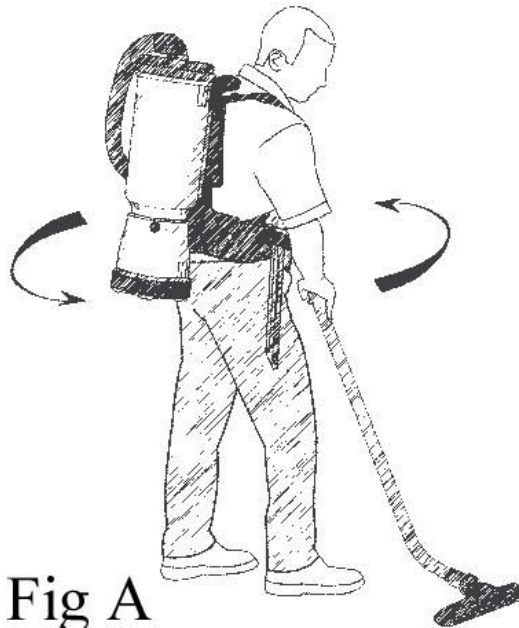


Fig A

USING YOUR VACUUM

1. Insert the battery into the vacuum
2. Connect hose and telescopic tube if desired.
3. Correctly place shoulder straps on each shoulder and secure the waistband strap. (Fig 8 through Fig 8b)

Caution: If the waistband and both shoulder straps are not properly and securely in place, the unit could fall off your back, causing damage or injury.

4. Turn the unit on/off by pressing the switch located near the base of the unit. (Fig 9)

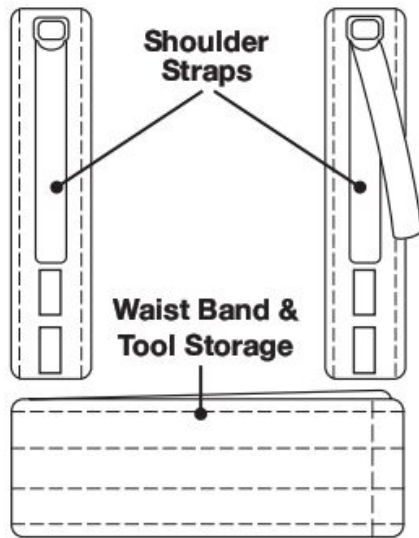


Fig 8



Fig 8A



Fig 8B

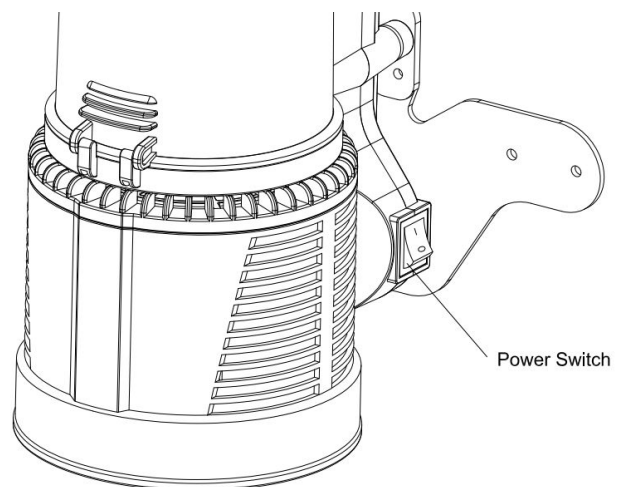


Fig 9

HOW TO CHARGE THE BATTERY PACK

When using the charger, basic precautions should always be followed, including the following:

BATTERY AND CHARGING SAFETY



To reduce the risk of electric shock, fire, battery explosion, or injury:

Basic information and warning for the Battery and Charger are contained below. For detailed usage and warning information, read the **HOW TO CHARGE THE BATTERY PACK** carefully before using this unit.

1. DO NOT expose battery pack to temperatures above 122°F (50°C). Never leave battery packs in automobiles on hot days, where temperatures can be much higher than the outside temperature.
2. DO NOT use or store vacuum or batteries in wet or moist conditions, or with flammable or combustible materials.
3. DO NOT charge batteries or store battery for extended periods (1 month or more) in temperatures above 90°F (32°C) or below 40°F (5°C).
4. When charging, make sure that the charger has at least 6 inches of clearance on all sides. Adequate airflow is required to cool the charger when use.
5. DO NOT use a damaged cord or plug for charging.
6. DO NOT pull on the charger's cord to unplug. Grasp and pull the plug, not the cord.
7. DO NOT handle the charger's cord plug with wet hands when inserting into electrical outlet.
8. Keep sparks and flames away from batteries. Do not smoke near batteries or charger.
9. DO NOT charge the unit outdoors.
10. DO NOT attempt to repair, service, or modify the battery system or charger. Contact the service center with any issues.
11. DO NOT short-circuit the battery or charger terminals with conductive items such as paper clips. This can deliver high current, resulting in heat and fire.
12. DO NOT crush, drop, incinerate or damage the battery pack.
13. DO NOT use a battery pack that has been damaged in any way. DO NOT incinerate the battery even if it is severely damaged or non-working. The battery can explode in a fire.

SPECIFICATIONS AND PARTS

Charger Specification:

Charger input: 120V 50/60Hz AC only

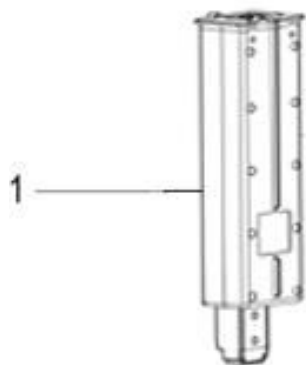
Charger output: 30V 1A

Battery Specification:

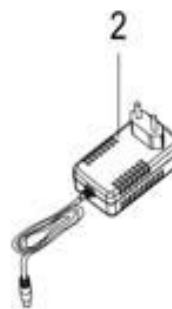
Lithium Polymer chemistry 25.2V

Approximate charge time: 8 hours

Approximate run time for new battery: 30 minutes.



(1 - Battery pack)



(2 - Charger)

OPERATION

WARNING

Charge in a well ventilated area. DO NOT block charger vents. Keep them clear to allow proper ventilation.

CHARGING LITHIUM POLYMER BATTERY PACKS

Lithium Polymer batteries deliver fade-free power for their entire run time. The vacuum will not gradually lose power due to decreasing battery charge. The vacuum will perform at its normal performance level until the battery has been depleted. Once this happens, recharging of the battery is required. It is not necessary to drain the battery pack completely before recharging.

If the charger's light is not lit at any point during the charging process, remove the battery pack from the charger to avoid damaging the product. DO NOT insert another battery.

Contact the service center with any issues.

BATTERY PROTECTION FEATURE

The 25.2-volt Lithium Polymer batteries are designed with features that protect the Lithium Polymer cells and maximize battery life. When the battery has reached its minimum voltage level the electronics will shut off the battery. Once the battery shuts off, it must be recharged.

PREPARING BATTERY PACK FOR CHARGING

1. Turn off the power switch. Confirm the switch is in the off position.
2. Unlock the battery pack from the vacuum by pulling up on the metal battery hook located on the top of the battery, and take the battery pack out from the vacuum. (Fig 17)
3. Plug the round connector on the charger's cord into the battery pack. (Fig 18)
4. Plug the charger's power cord into 120V wall outlet (Fig 19)
5. The Battery pack may require up to 8 hours to fully charge.

Note: Battery pack may get warm while charging.

! WARNING

Before you assemble the battery pack back into the vacuum, please check the on/off switch is in the off position.

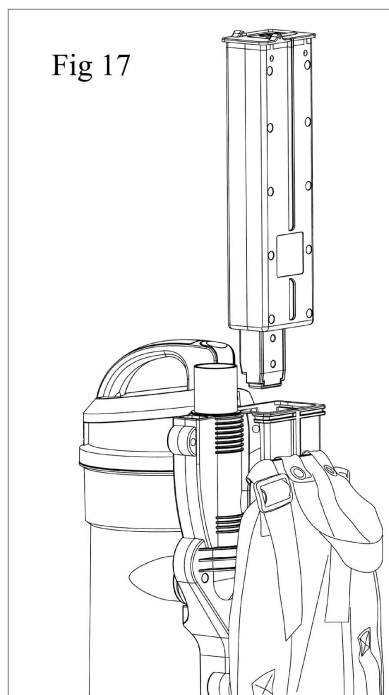


Fig 18

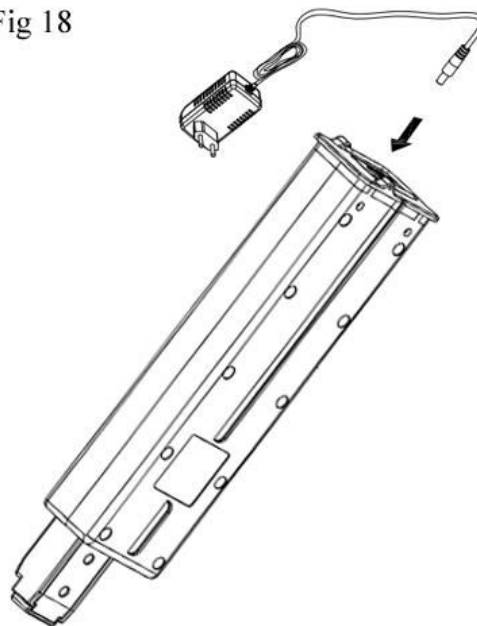
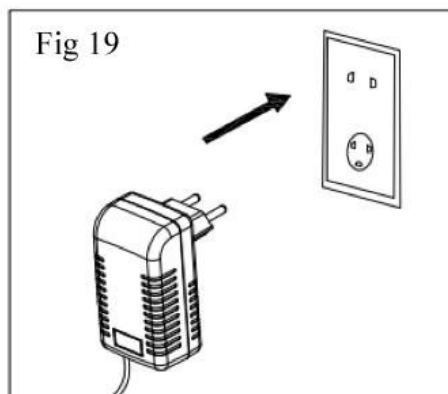


Fig 19



HOW TO EMPTY THE DUST CONTAINER

The dust container must be emptied as soon as it reaches the “MAX” mark indicated on the outside of the tank, or if the suction power has dropped. To empty the Dust Container, please follow the instructions below:

1. Switch the vacuum cleaner to the “Off” position and disconnect the plug from the wall outlet.
2. Release the dust container by pressing down the release button. (Fig 10)
3. Pull the dust container away from the vacuum cleaner.
4. Hold the dust container low over your trash receptacle, to avoid dust falling onto your floors.
5. Press the release button. When the release button is pressed, the bottom cover will open and the dust will drop into your trash receptacle. (Fig 11)

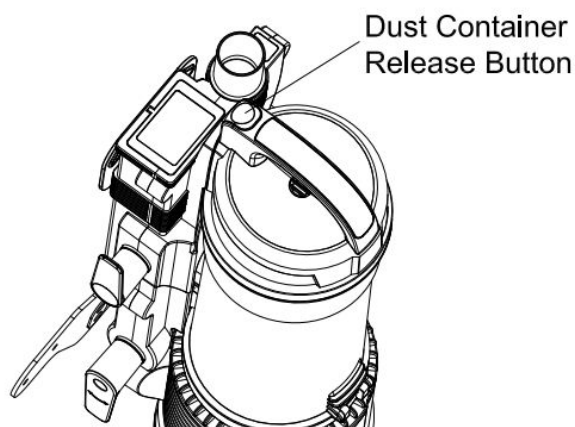


Fig 10

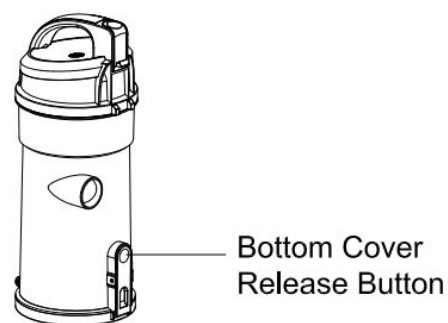


Fig 11

HOW TO CLEAN AND REPLACE THE Vortex & HEPA FILTERS

There are two filters in this unit - the intake Self-Cleaning Vortex filter, and the exhaust HEPA filter. When the filters are too dirty, and the suction power is reduced, you must clean or replace the filters.

TO CLEAN AND REPLACE THE VORTEX INLET PRE-MOTOR FILTER:

1. Open the top Vortex chamber cover by rotating the cover counterclockwise. (Fig 12)
2. Pull the Self-Cleaning Vortex filter from the chamber by rotating it counterclockwise to unlock it, and then pull it up and out of the unit. (Fig 12)
3. Clean the filter using warm water, then allow the filter to air dry completely. Once the filter has completely air dried, then place the filter back into the Vortex chamber. Or, if the filter is too dirty, or in an unusable condition, replace the filter with a new one.

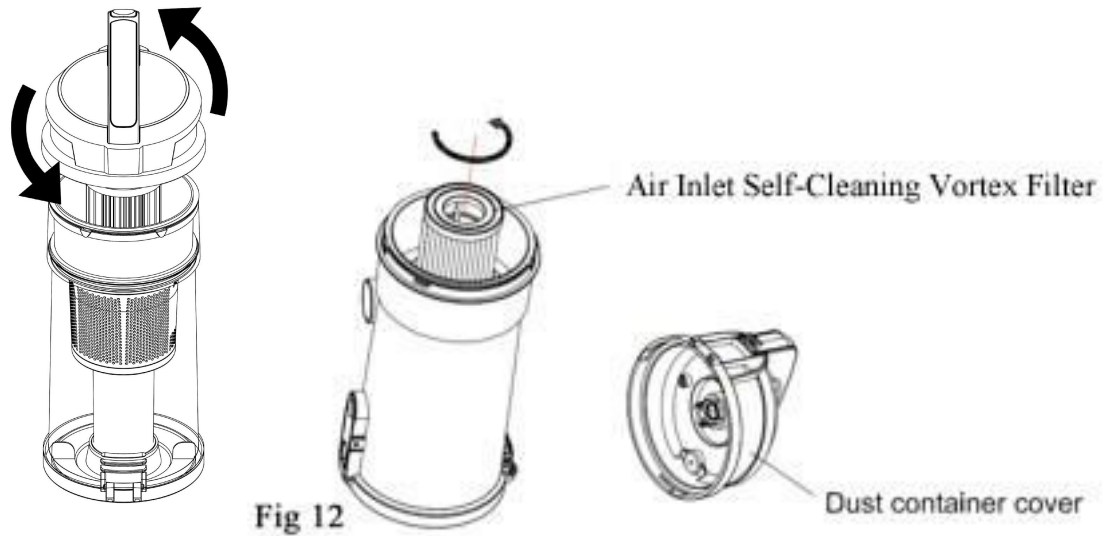


Fig 12

NOTE: The Prolux Self-Cleaning Vortex filter only needs to be cleaned when the entire surface of the filter becomes dirty. Due to its highly efficient design the Self-Cleaning Vortex filter is three times more efficient than standard filters and will have the same amount of airflow whether it's dirty or clean. The entire surface of the filter will have to be covered in debris before the performance of the vacuum is affected, and the filter needs to be cleaned.

TO CLEAN AND REPLACE THE EXHAUST HEPA FILTER:

1. Open the exhaust cover by rotating it counter clockwise. (Fig 13)
2. Pull the exhaust HEPA out of the unit. (Fig 13)
3. Clean the filter using warm water, and allow air-drying completely, and then place the filter back into the unit. Or, if the filter is too dirty, or in an unusable condition, replace the filter with a new one.

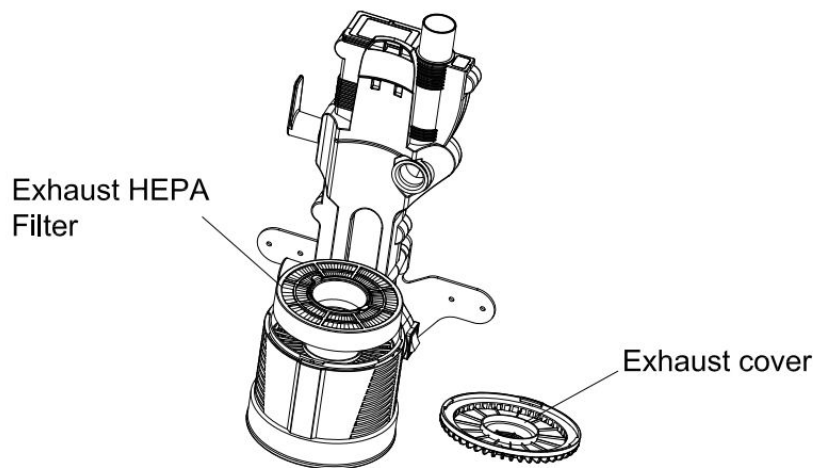


Fig 13

CLEANING THE HOUSING:

WARNING: Always switch off the appliance and disconnect it from the outlet before cleaning it. See section "Switching Off and Retracting Power Cord."

ATTENTION: Do not use Alcohol, cleaning, or scouring agents to clean your machine, as these may damage the appliance. Clean the outside of the housing using only a slightly damp washcloth with mild soap.

Troubleshooting

WARNING: Never use a defective appliance. Always switch off the appliance and disconnect it from the outlet or remove the battery before you start to troubleshoot.

Fault	Possible Cause(s)	Solution
The vacuum will not turn on.	The battery is not charged.	Make sure the battery is fully charged by plugging the battery into the charger, then plug the charger into your wall outlet and keep the battery plugged into the charger until the charger light turns Green.
	The battery is not fully inserted into the vacuum.	Make sure to insert the battery into the vacuum, making sure the raised center channel of the battery aligns with the notch inside the battery compartment of the vacuum. Place battery all the way down into the vacuum and press firmly until top of battery is flush with the top of the battery compartment.
	Switch is in the “off” position.	Turn the on/off switch to the “on” position.
Suction power is low.	The Dust/Dirt bin is full or clogged.	Empty/clean the Dust/Dirt bin.
	The telescopic wand or suction hose is clogged.	Remove the debris that is causing the clog. If necessary, use a long wooden stick (e.g. a broomstick) or coat hanger to do this.
	The Dirt/Dust container is installed incorrectly.	Remove the Dirt/Dust container and reinstall; making sure the container is locked into place when reinstalling.
	The “carpet/hard floor” switch (Fig 7) is in the wrong position for the particular type of floor.	Set the “carpet/hard floor” switch to the correct position for the particular type of floor.
	The tool attachment being used does not work properly on the surface you are vacuuming.	Attach the appropriate tool for the surface you are vacuuming. See page 10.
	Dirty filter(s).	Change/clean the filter(s). See page 17.
The vacuum makes unusual noises, or is louder than usual.	The power nozzle, attachment wand, suction hose, or filters are clogged.	Remove any clogs. If necessary, use a long wooden stick (e.g. a broomstick) or coat hanger to do this.

FIVE (5) YEAR LIMITED WARRANTY

(90 days on the motor and body if used commercially)

Prolux warrants this product's motor free from defects in material and workmanship for a period of five (5) years on the motor, and three (3) years on the body of the vacuum, free from manufacturer defects in material and workmanship from the original date of purchase, when utilized for normal household use (90 days on the motor and body if used commercially). Prolux also warrants the battery and charger for 90 days.

Subject to the following conditions, exclusions, and exceptions:

What is Not Covered by the Prolux Warranty - Warranty Exclusions. This limited warranty does not extend to and expressly excludes:

1. Normal wear and tear and/or replacement attachments or accessories, including, without limitation, extension cords, hoses, filters, switches, carbon motor brushes and other attachments to the Backpacks.
2. Damage or burnout of the Backpack or Canister motor resulting from failure to clear a blockage occurring during the normal course of use.
3. Loss or damage to the Backpack or Canister resulting from conditions beyond the control of Prolux including without limitation, misuse, accidents, abuse, neglect, negligence from the customer, overuse beyond the capacity of the vacuum, or unauthorized modification and/or alteration.
4. Loss or damage to the Backpack or Canister resulting from failure to follow the required maintenance schedule, or failure to use the Backpack or canister in accordance with written instructions from Prolux, guidelines or the terms of its Owner's Manual.
5. Battery and Charger Warranty Exclusions:
 - a. Leaving the vacuum in too cold or too hot of an area
 - b. charging the battery over 24 hours
 - c. dropping the battery or vacuum
 - d. getting the battery, charger, or vacuum wet.

If your appliance fails to operate properly while in use under normal household conditions within the warranty period, please contact your authorized PROLUX dealer you purchased the unit from. Non-durable parts including, without limitation, filters, accessories, brushes, belts, and electrical parts, which normally require replacement, are specifically excluded from warranty.

This warranty is limited solely to the cost of the repair or replacement of the unit at Prolux's option. This warranty does not cover normal wear of parts and does not apply to any unit that has been tampered (by unauthorized user) with or used for commercial purposes. This limited warranty does not cover damage caused by shipping damage, misuse, abuse, negligent handling, or damage due to faulty packaging or mishandling in transit.

This warranty is extended to the original purchaser of the unit only and is not transferable.

***IMPORTANT: Before sending unit back for warranty work, contact your authorized PROLUX retailer first. Unauthorized warranty claims may be sent back.**

Authorized Warranty claims: PROLUX shall be responsible for all parts and labor and the customer shall be responsible for all shipping charges to and from the PROLUX service center.

Prolux is constantly striving to improve our products. Therefore, the specifications contained herein are subject to change without notice.

Product Warranty Registration

Please follow the link below to register your Prolux product:

<https://proluxcleaners.com/pages/warranty>

For more information on this product, including warranty info and to contact Prolux Customer Service, follow the link below:

<https://proluxcleaners.com/collections/backpack-vacuum/products/2018-prolux-2-0-cordless-bagless-backpack-vacuum-with-lithium-ion-battery>

Environmental tips

Once any electronic product is no longer functional, it should be disposed of in such a way as to cause minimum environmental impact, in accordance with the regulations of your local authority. In most cases you can take such products to your local recycling station.

