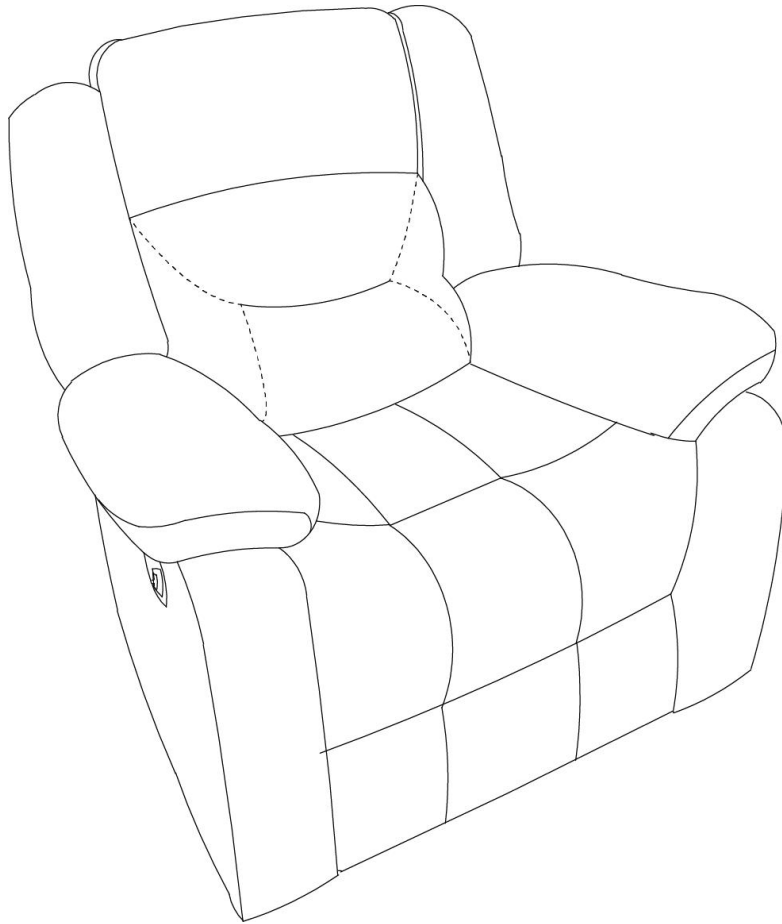


# **Operation Instructions**

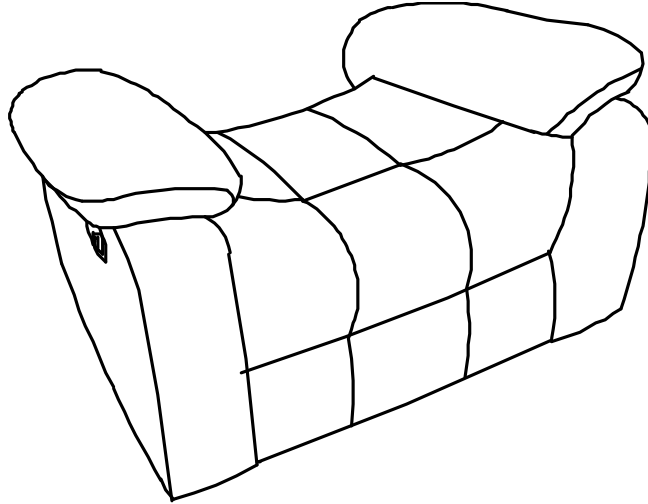


**PP196514**

**Manual Recliner**

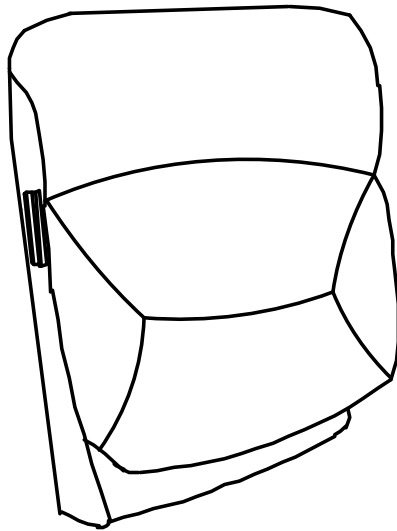
## Parts List

**A**



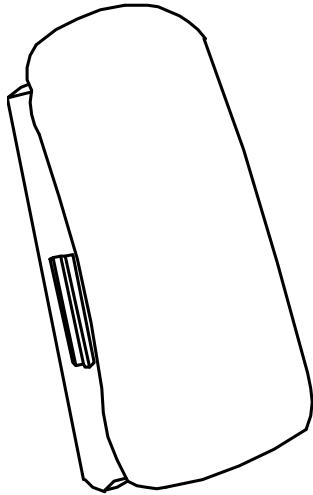
QTY 1 pc

**B**



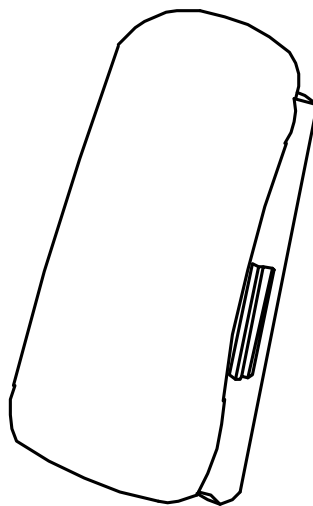
QTY 1 pc

**C**



QTY 1 pc

**D**



QTY 1 pc

**E**



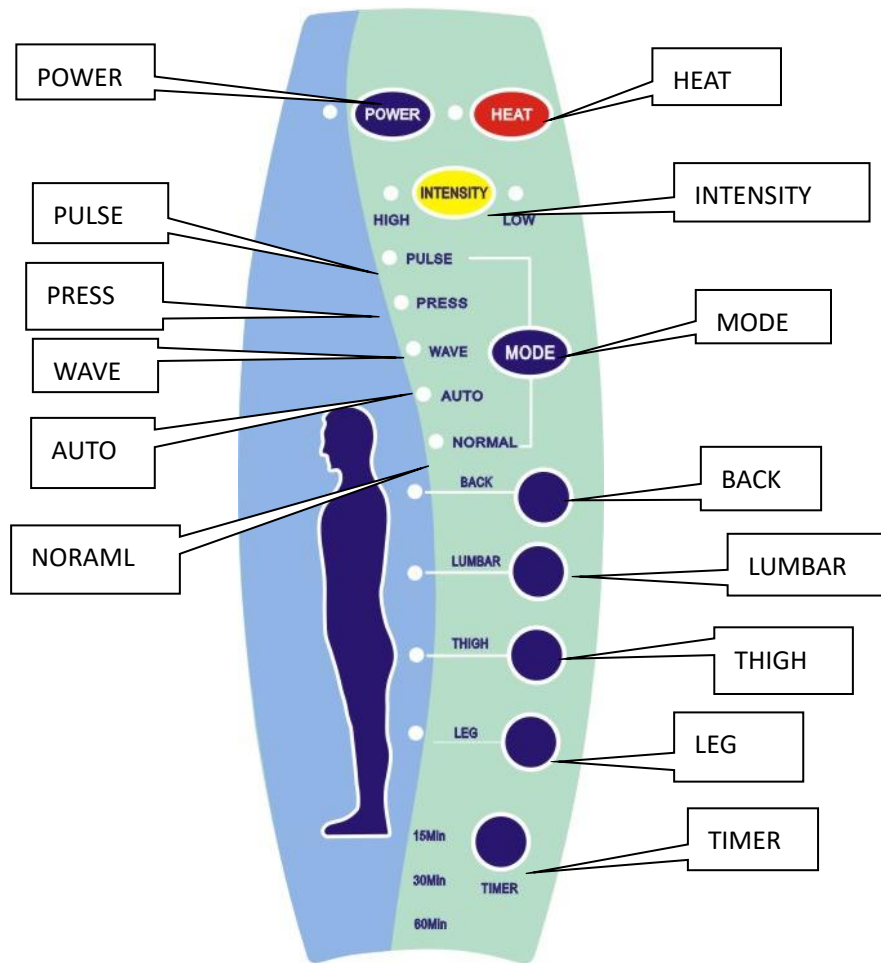
QTY 1 pc

**F**



QTY 1 pc

## Functional Description of Massager



This massager is in 8-point, composed of a manual control board, wire rod and motor. It is available in 5 functional modes, and is provided with manual/automatic function, heat, time control and strong/weak control function.

### I. Specification of Massager

1. The required input voltage of the massager is 220V,50Hz.
2. The required output voltage of the massager is DC12v, 1.2A.

### II. Graphic presentation of Controller

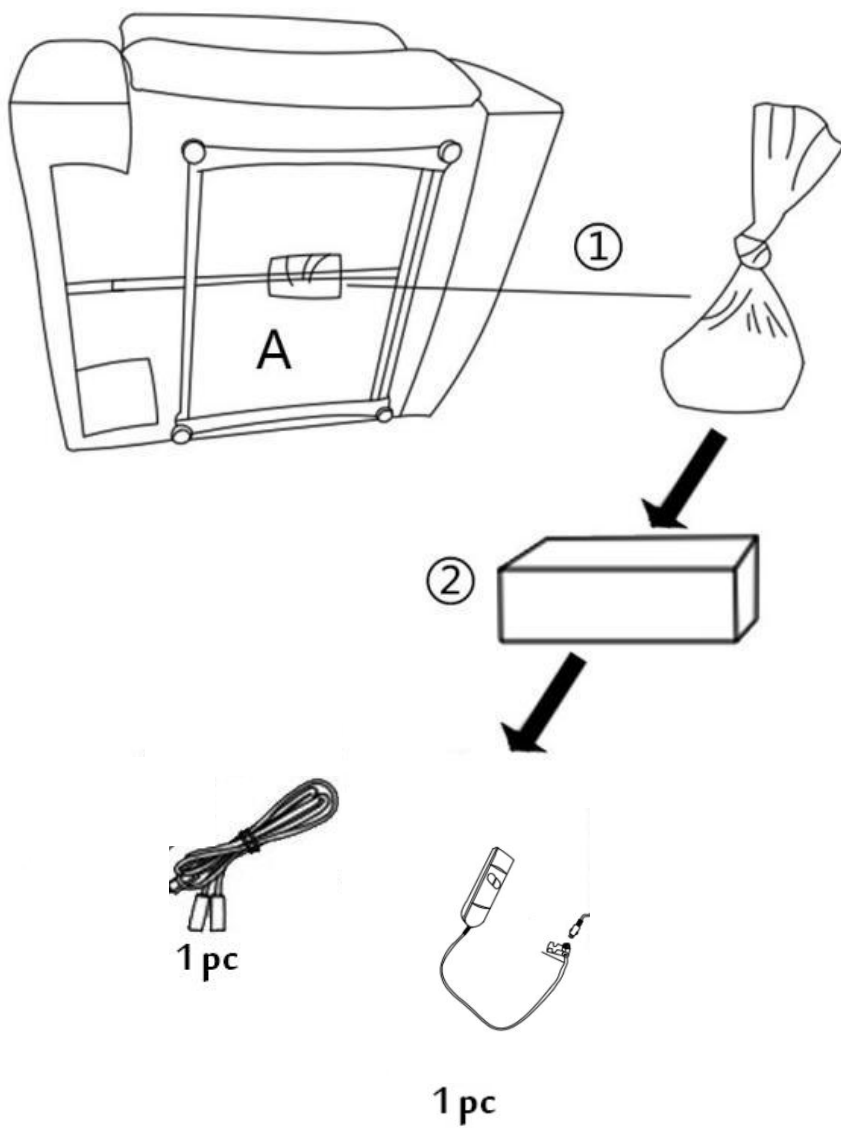
1. POWER: turn on/off selection key

2. HEAT: heating on/off key
3. INTENSITY: strong/weak selection key.
4. MODE: working mode selection key
5. BACK: back massage function selection key
6. LUMBAR: lumbar massage function selection key
7. THIGH: thigh massage function selection key
8. LEG: leg massage function selection key
9. TIMER: set working time key

### **III. Operating Instructions**

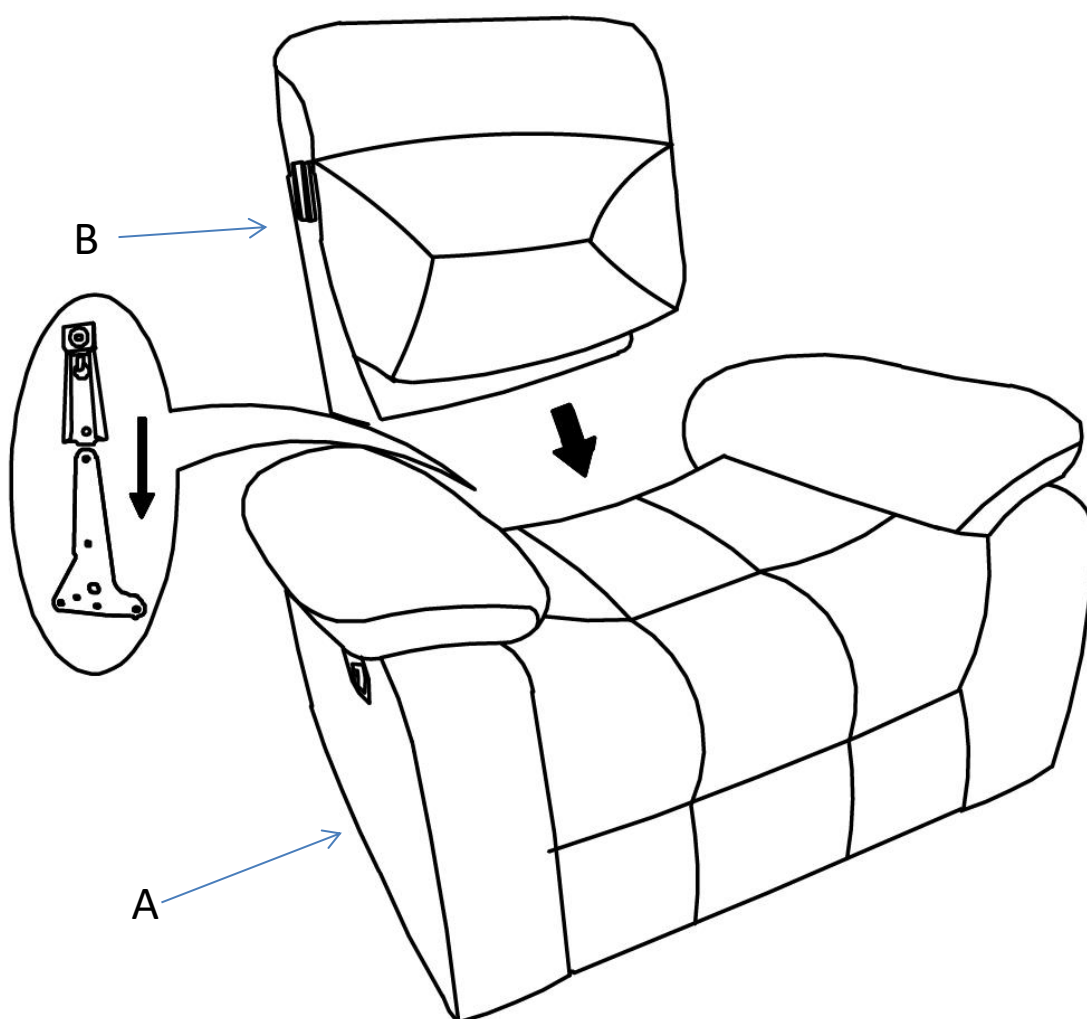
1. Insert the power into the DC socket
2. Press the POWER key to start the unit, when the unit will enter the first mode to run for 15min in the medium step, with all the corresponding indicators illuminated.
3. Press the HEAT to turn on the heating function.
4. Press the TIMER key, the unit's control time will switch between 15min, 30min and 60min.
5. Press the FUNCTION key to select different working modes (PULSE, PRESS, WAVE, AUTO, NORMAL)
6. Press the INTENSITY key to select the high and low the intensity of vibration.
7. Press the BACK, LUMBAR and THIGH key will to massage the different places of the body .

# Step 1



## Step 2

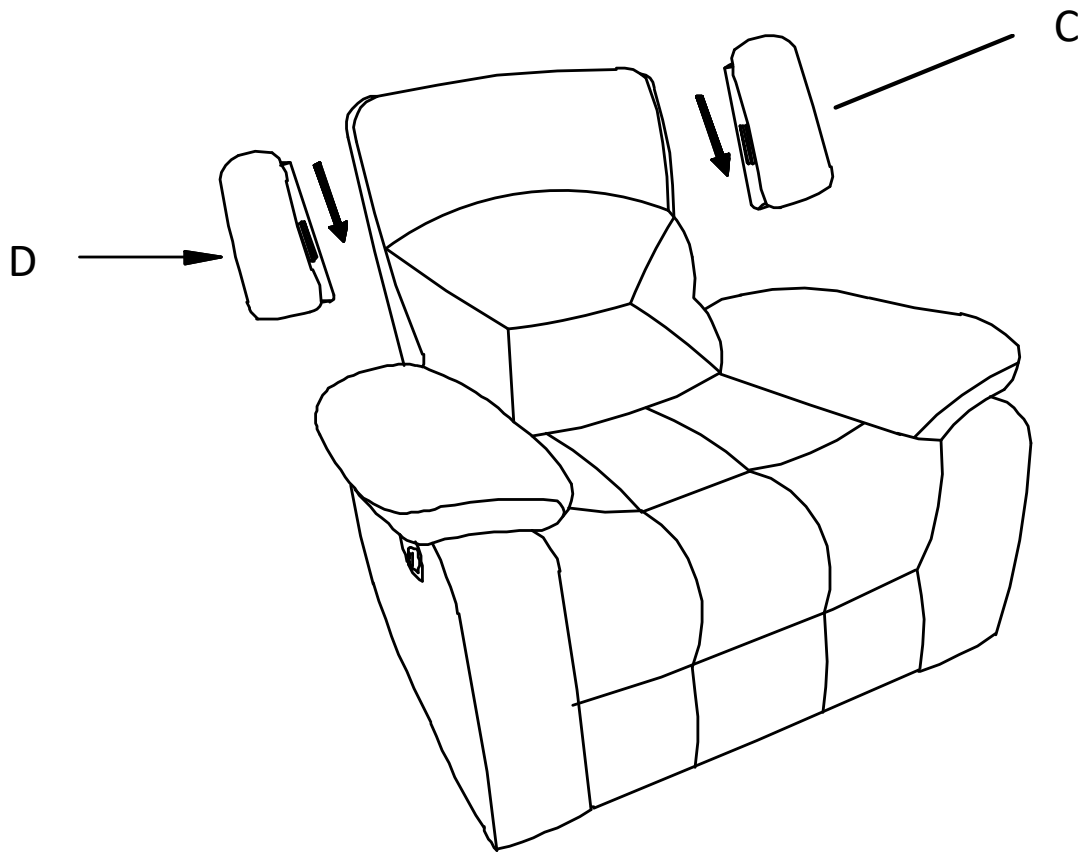
Place Back(B) on the Seat(A)





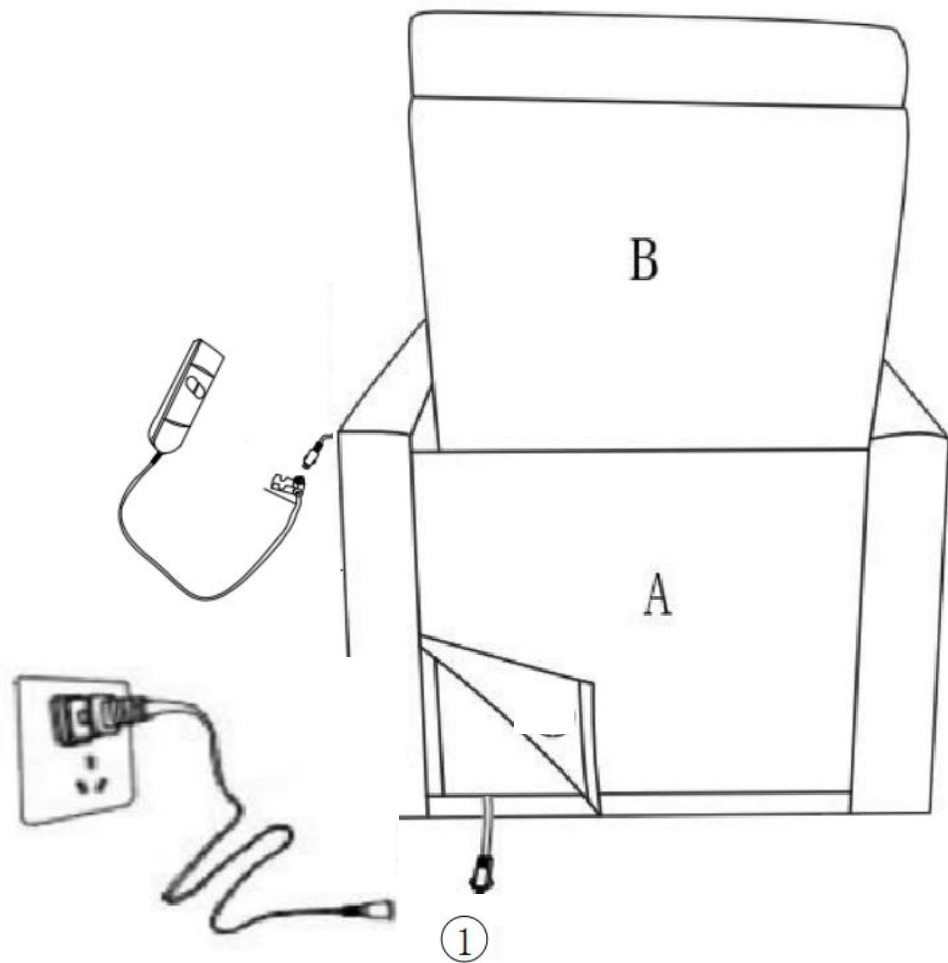
## Step 3

Place Ear (C&D) on the Backrest (B)



## Step 4

- ① Connect the wire plug (F) to Seat (B) and insert the wire plug into a wall outlet for power.
- ② Attach the remote control(E) to the plug in the pocket.



## How to Disassemble

Please find a strong tool to prod the small piece of metal grooves, then the backrest will be pulled out. The tool is not included.

