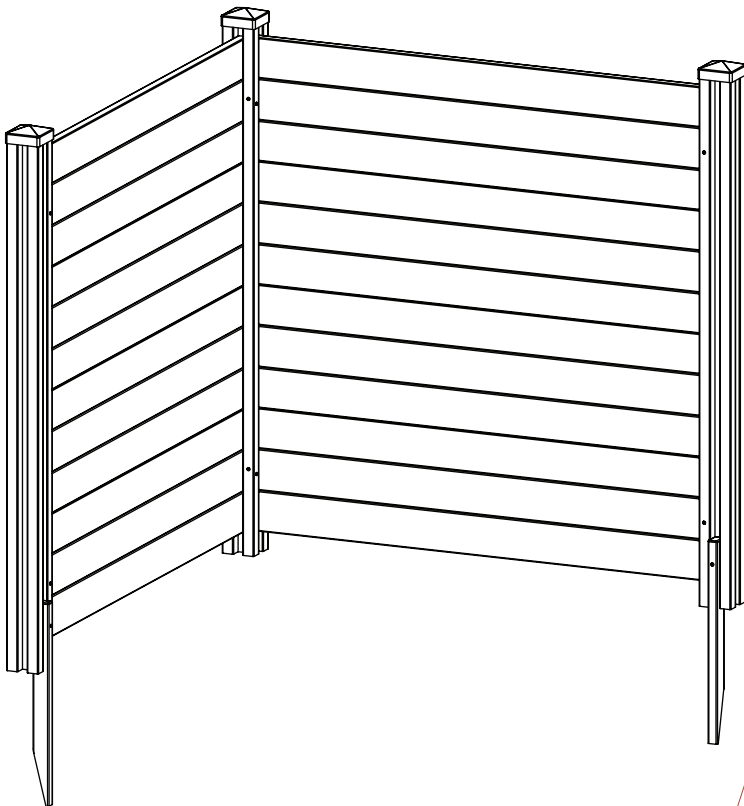


ENCLO

HIDE IT WITH STYLE



Premium Vinyl Privacy Screen 48" W x 48" H

60 min
Approximate assembly
time for 2 screens



Scan the QR code
for an assembly video



ASSEMBLY INSTRUCTIONS

ZP19014

www.encloscreens.com

VER. 090221

GENERAL INFORMATION



IMPORTANT

- Check the inside of the larger pieces in your box for other materials packed inside.
- When assembling components, place on a non-abrasive surface (i.e. shipping box) to avoid scratching.
- We recommend an area approximately 5'x 8' for unobstructed assembling.
- You should not need to use excessive force when assembling components.

MISSING OR DAMAGED PARTS?

VISIT OUR WEBSITE FIRST, SO WE CAN HELP YOU RIGHT AWAY!

Although great care has been taken to ensure proper packaging and handling of this product, occasionally problems occur. If you discover any missing, damaged or defective parts, please visit our website to order replacement parts. If you experience any further trouble with your product, please contact our customer service department.

 parts.nychbrands.com

 support@encloscreens.com

 **704-892-5222 / 877-234-6196**

Customer service agents are available to take calls weekdays from 9am-5pm EST. If you call outside of business hours, please leave a voicemail.

To help you quickly and accurately, please have reference item number **ZP19014** and the specific part name which can be found on page 4. It is helpful if you can provide the batch lot which is a stamped number on the end of the box.

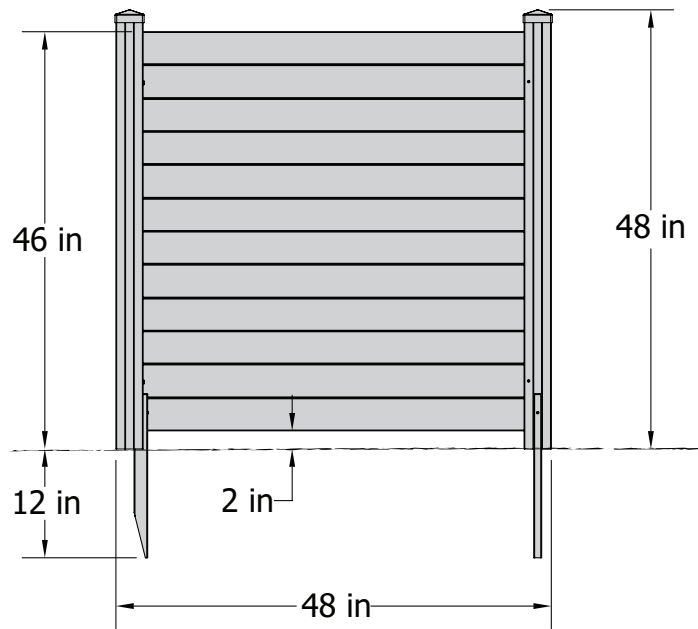
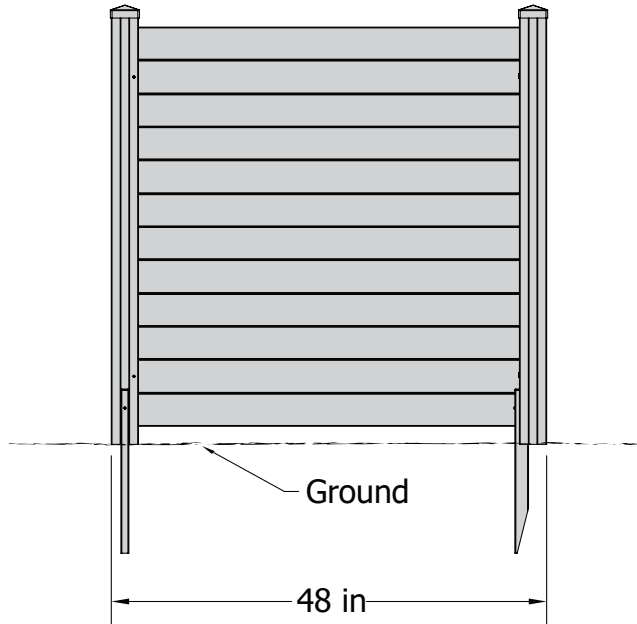
NEED ASSEMBLY HELP?

If you are having problems with the assembly or installation of this product, we are happy to assist you with the process, **so please give us a call at 704-892-5222 / 877-234-6196**

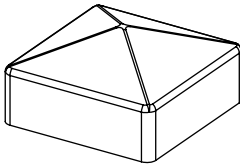
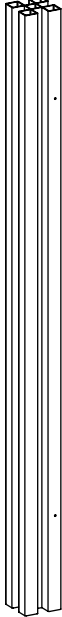
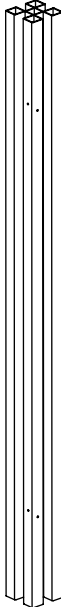
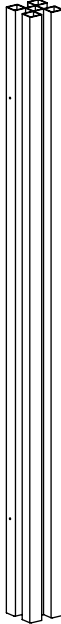
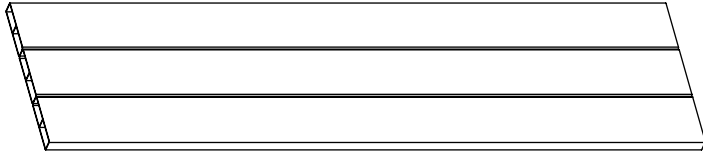


NEED TO RETURN?

If for some reason you need to return this product, please allow us to help resolve your issues first. If you still decide to return the product, **you will need to initiate the return from the company you originally purchased from.**

Detailed Product Dimensions & Specifications



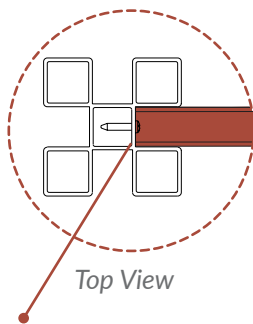
STEP 1: LAY OUT MATERIALS

<p>A</p>  <p>Post Cap (3)</p>	<p>B</p>  <p>Left Post (1) 3" x 3" x 47½"</p>	<p>C</p>  <p>Center Post (1) 3" x 3" x 47½"</p>	<p>D</p>  <p>Right Post (1) 3" x 3" x 47½"</p>
<p>E</p>  <p>Board Wall (8) 7/8" x 11" x 44"</p>	<p>F</p>  <p>Ground Stake (2)</p>		
<p>G</p>  <p>2½" Self-Drilling Stainless Steel Screw (10)</p>			

STEP 2: ASSEMBLE FULL PANEL

STEP 2.1

Identify the Left Post (B) and Center Post (C) as illustrated. With a helper, slide a Board Wall (E) down the grooves until the board wall hits the factory installed screws (roughly 2" from the bottom).

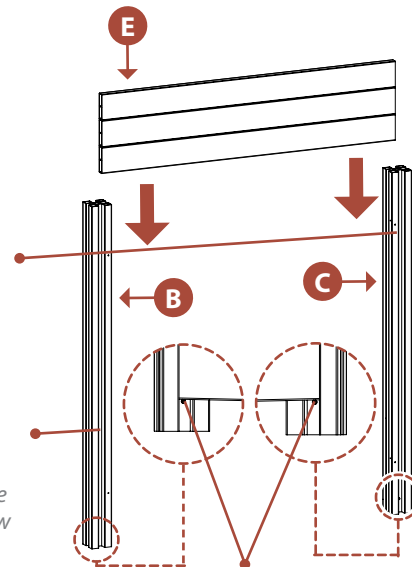


Top View

Note: Make sure the board is tight to the back of the groove in the post.

Center Post will have four pre-drilled holes at one corner and two factory installed screws at the bottom.

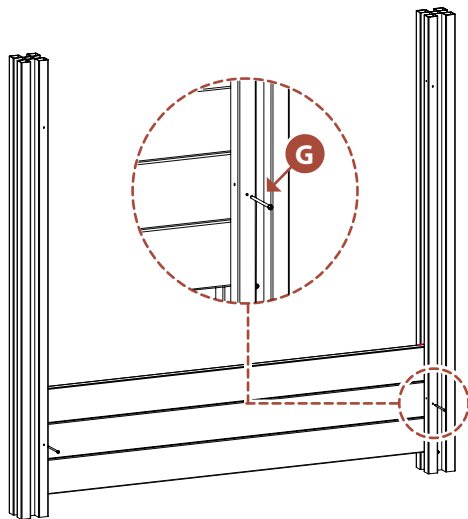
Left Post will have two pre-drilled holes at one corner and one factory installed screw at the bottom.



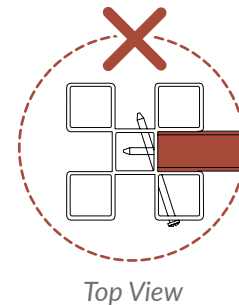
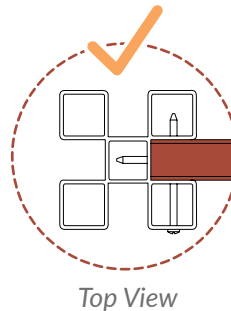
Note: Factory installed screws should be facing inward.

STEP 2.2

Fasten each post to the board walls using (2) 2½" Self-Drilling Stainless Steel Screws (G).

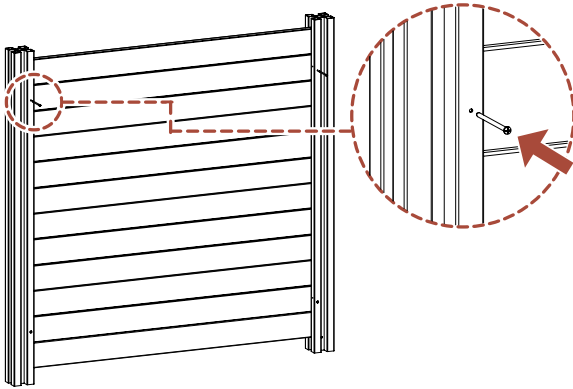


Note: Make sure you install the 2½" self-drilling stainless steel screws straight through and not at an angle



STEP 2.3

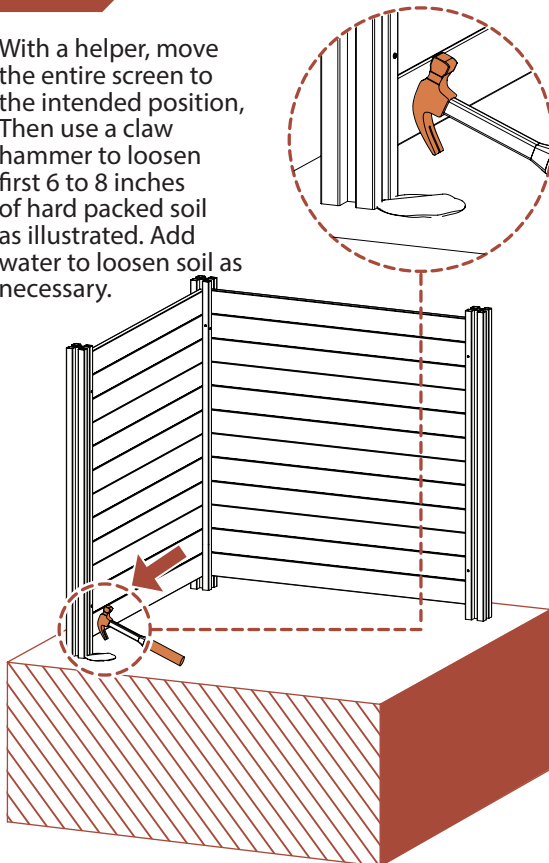
Add three more board walls, and fasten the top board wall into the left and center posts as illustrated.

**STEP 2.4**

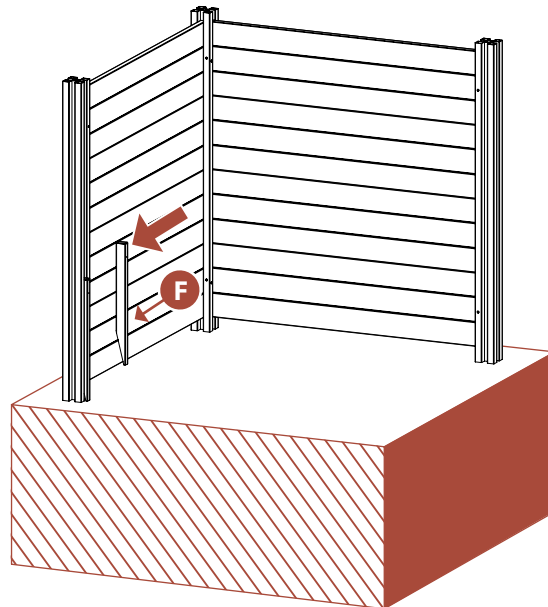
Repeat steps 2.1 through 2.3 with the center post and Right Post (D) for the second panel as shown.

STEP 3: INSTALL SCREEN INTO THE GROUND**STEP 3.1**

With a helper, move the entire screen to the intended position. Then use a claw hammer to loosen first 6 to 8 inches of hard packed soil as illustrated. Add water to loosen soil as necessary.

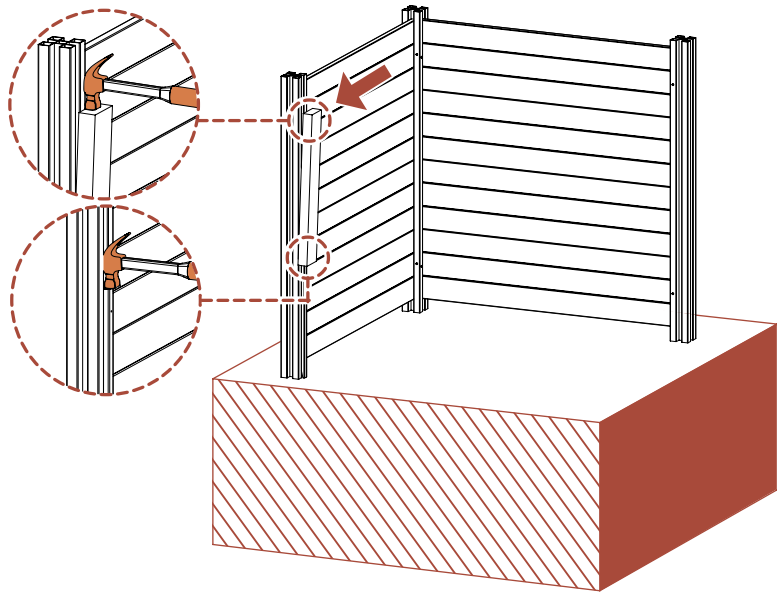
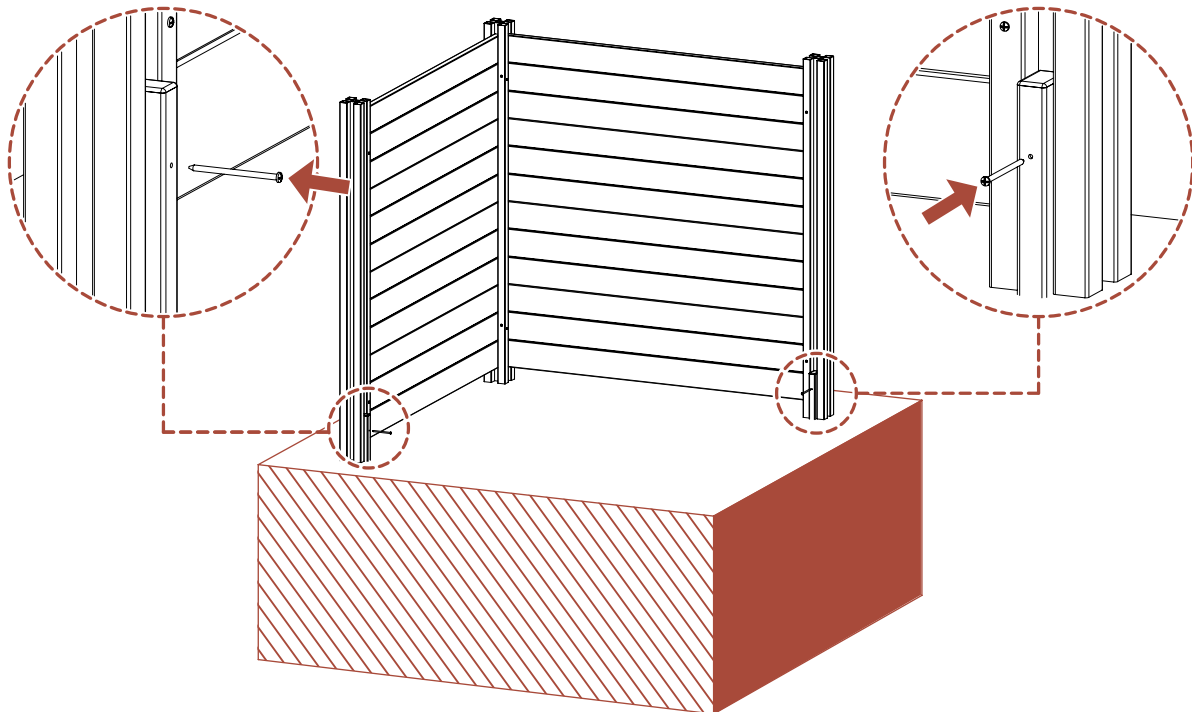
**STEP 3.2**

Insert the Ground Stakes (F) with the blade down into the grooves of the left and right posts as illustrated



STEP 3.3

Using a piece of 2x4 (or equivalent), attempt to manually push the ground stake 12" into the ground. You can also lightly tap the top of the stake or the top of the 2x4 with a hammer. Repeat for the other ground stake.

**STEP 3.4**

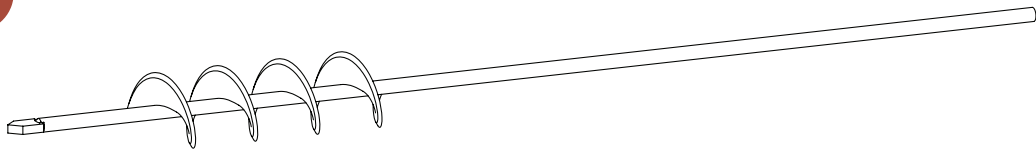
- ▶ Fasten both ground stakes to the left and right posts using the pre-drilled holes and the (2) 2½" self-drilling stainless steel screws.

STEP 3.5

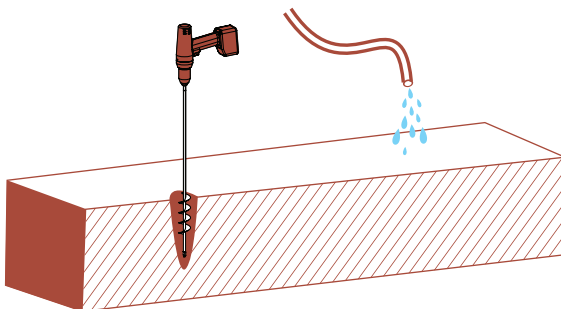
Optional in hard ground: If your ground is too hard, or you have more than 3 or 4 panels to install, please consider these options:

1. Use a 1 $\frac{3}{4}$ " diameter auger bit (commonly used for planting tulips) as illustrated (\$15-\$20 on Amazon.com).
2. Drill a hole about 12" to 16" deep at the desired location, and fill the holes with water as illustrated.
3. Push the panel posts into the holes.

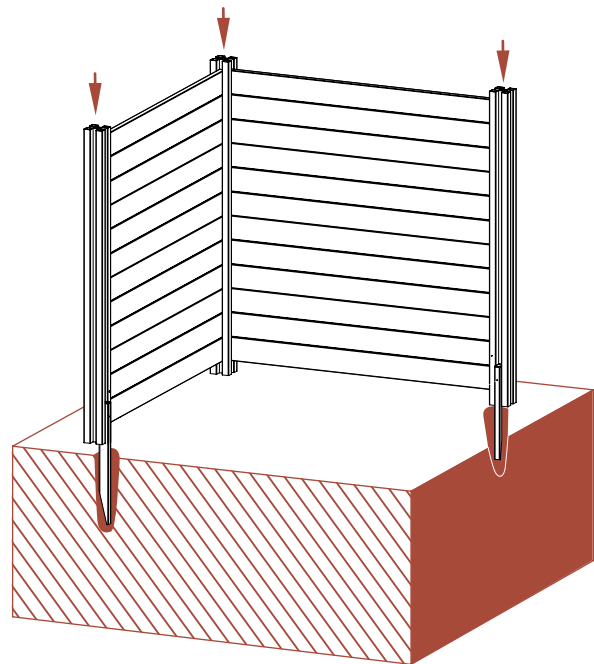
1



2

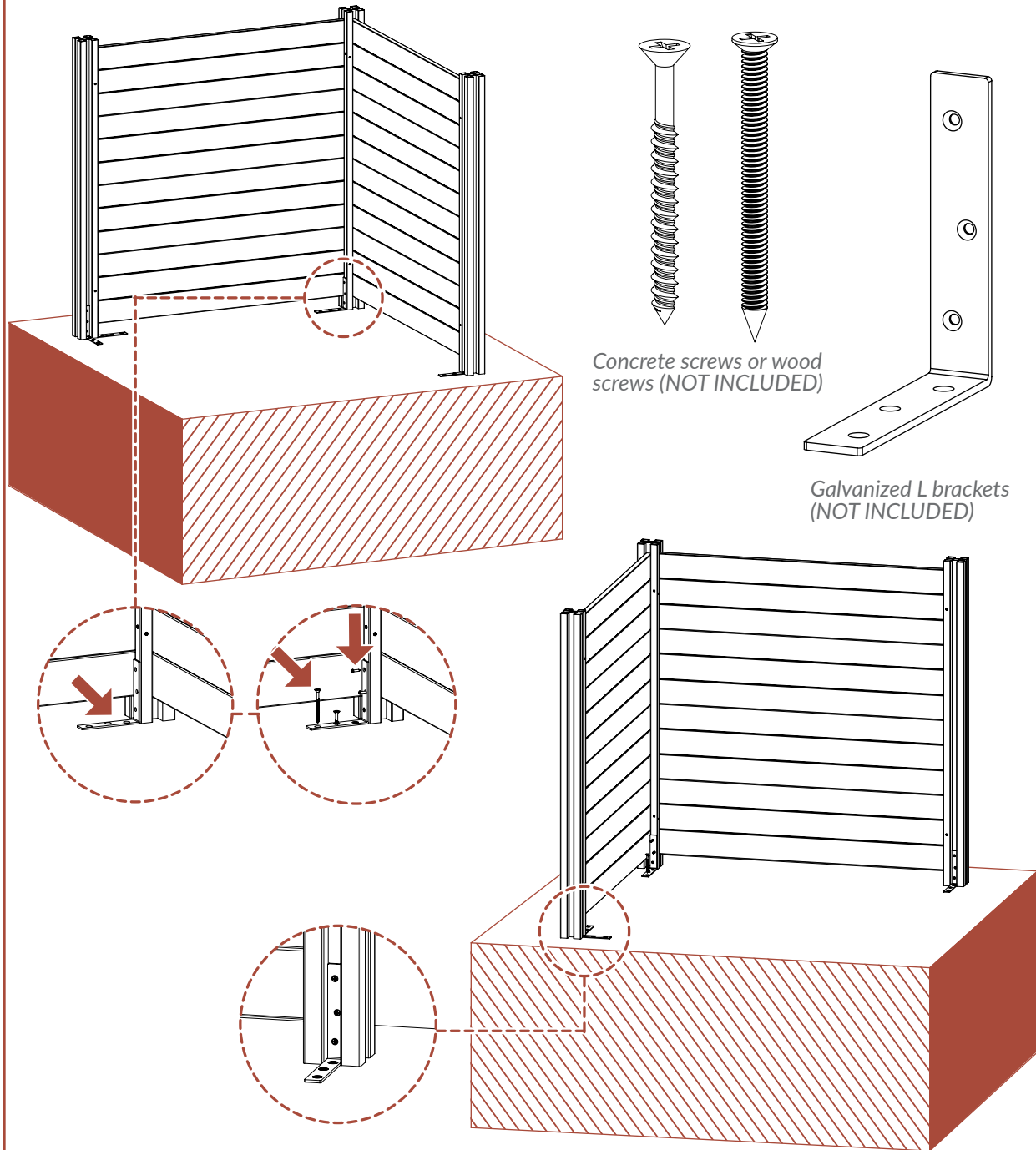


3



ALTERNATIVE STEP 3: MOUNT TO PRE-EXISTING CONCRETE OR WOOD SURFACE

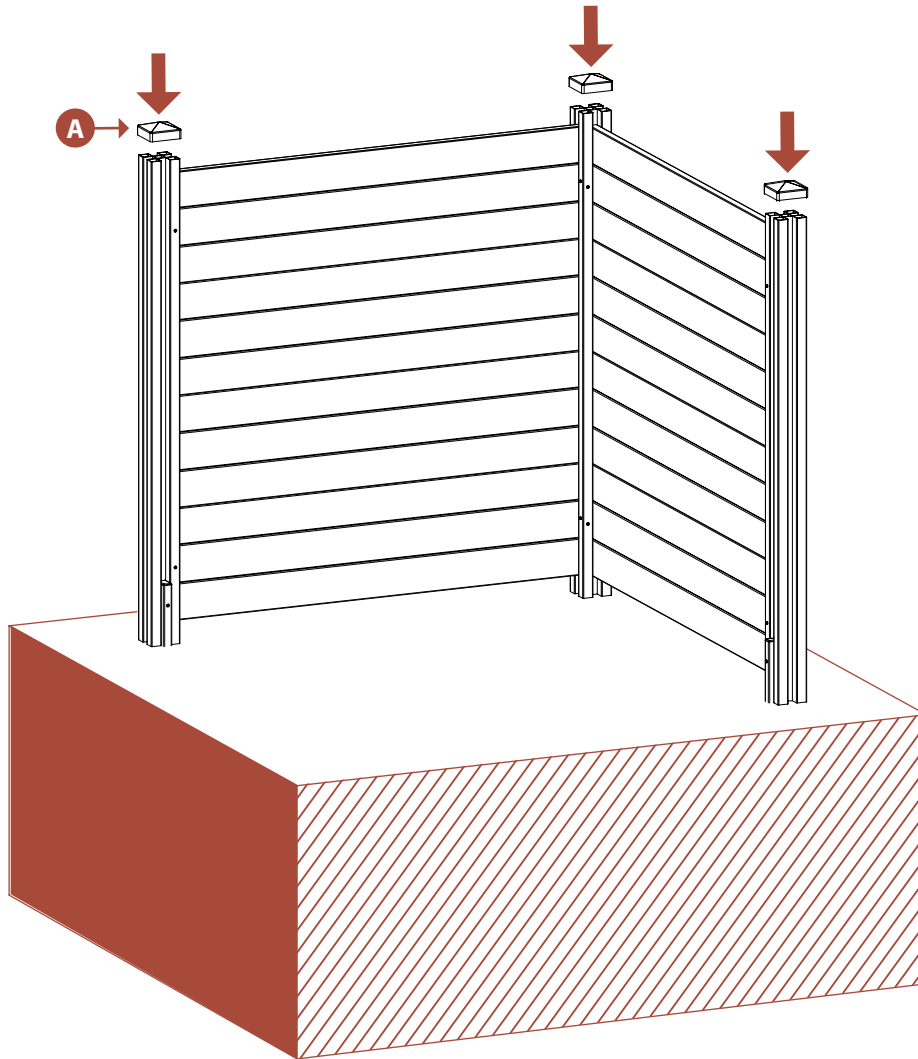
- ▶ Use galvanized steel L brackets as illustrated. Purchase both brackets and necessary hardware for mounting to a concrete or wood surface from your local hardware store.



STEP 4: INSTALL POST CAPS

STEP 4.1

Finish the assembly by pushing the Post Caps (A) down over the top of the posts as illustrated.



ENCLO

HIDE IT WITH STYLE

www.encloscreens.com

support@encloscreens.com



704-892-5222
877-234-6196



6935 Reames Rd. Ste. K.
Charlotte, NC 28216



ASSEMBLY
INSTRUCTIONS
ZP19014