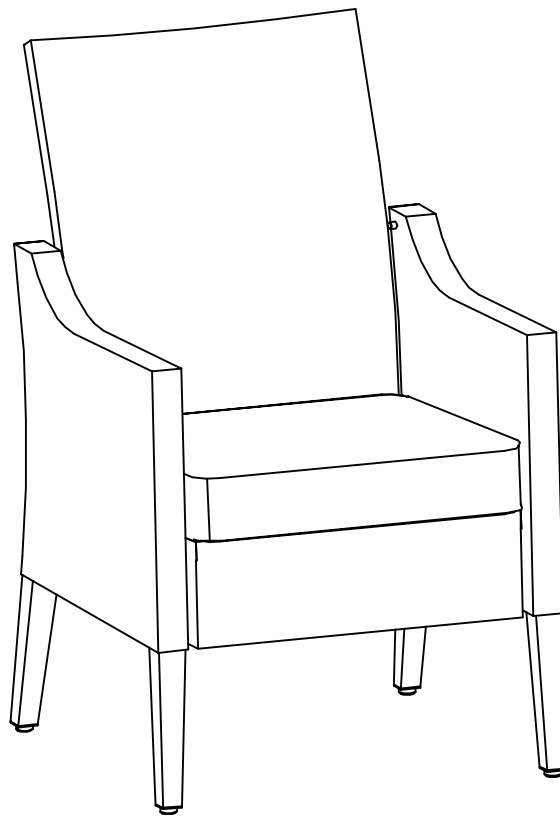


Item # 1005 440 866
Model # FRS81146-2PKB

HAMPTON BAY®

USE AND CARE GUIDE

ROCK CLIFF STEEL WICKER 2PK CAPTAIN DINING CHAIR - BARE



Questions, problems, missing parts? Before returning to the store,
call Hampton Bay Customer Service
8 a.m. - 7 p.m., EST, Monday – Friday, 9 a.m. – 6 p.m., EST, Saturday

1-855-HD-HAMPTON

HAMPTONBAY.COM

THANK YOU


We appreciate the trust and confidence you have placed in Hampton Bay through the purchase of this chair. We strive to continually create quality products designed to enhance your home. Visit us online to see our full line of products available for your home improvement needs. Thank you for choosing Hampton Bay!


Table of Contents

Table of Contents	2	Pre-Assembly	3
Important Safety Instructions	2	Planning Assembly	3
Save These Instructions	2	Hardware Included	4
Read All Instructions before Use	2	Package Contents	4
Warranty	3	Assembly	5
What is covered	3	Care and Cleaning	7
What is not covered	3		

Important Safety Instructions

SAVE THESE INSTRUCTIONS


 **WARNING:** THIS CHAIR WAS MADE FOR THE EXPLICIT PURPOSE OF PROVIDING OUTDOOR FUNCTIONS AND IS NOT TO BE USED AS A TOY. THIS PRODUCT IS INTENDED FOR NORMAL OUTDOOR USE; HOWEVER, THE MANUFACTURER RECOMMENDS STORING AND/OR COVERING THIS PRODUCT WHEN ANY FORMIDABLE/SEVERE WEATHER IS APPROACHING.

 **WARNING:** DO NOT LOCATE THIS PRODUCT NEAR OPEN FLAMES. DO NOT USE THIS PRODUCT AS A SUPPORT. DO NOT SHAKE, LEAN OR CLIMB ON THE PRODUCT. CHILDREN UNDER THE AGE OF 10, NEAR THE PRODUCT, SHOULD BE SUPERVISED BY A COMPETENT ADULT AT ALL TIMES. THIS PRODUCT IS NOT INTENDED FOR COMMERCIAL USE AND WILL VOID THE WARRANTY.


READ ALL INSTRUCTIONS BEFORE USE

To reduce the risk of injury to persons:


1. Close supervision is necessary when this furnishing is used by or near children, or disabled persons, if applicable.
2. Use this furnishing only for its intended use as described in these instructions. Do not use attachments not recommended by the manufacturer.
3. Do not move the chair while it is occupied. Failure to obey this caution could result in injury.
4. Do not rock in the chair as you may fall and cause serious injury.
5. Please keep children out of the assembly area before assembly.

 **CAUTION:** When not in use, secure the product in a cool and covered location.

 **CAUTION:** Do not locate the product near any heat sources.

 **WARNING:** Weight limit for the chair is 250lbs (113.39Kg).

 **WARNING:** This chair unit is heavy, and may require two adults for safe assembly.

 **WARNING:** Never use this product as a support. Do not shake, lean, or climb on the product at any time.

 **WARNING:** Do not place heavy objects on the chair.

Warranty

3 YEAR FRAME LIMITED WARRANTY

WHAT IS COVERED

We warrant the frames to be free of manufacturing defects to the original purchaser for three years.

WHAT IS NOT COVERED

It remains the customer's responsibility for freight and packaging charges to and from our service center. This warranty does not cover commercial use, hardware, acts of nature, fire, freezing and abusive use. In addition, purchased parts are not covered under this warranty. We reserve the right to make substitutions with similar merchandise, if the model in question is no longer in production.

Contact the Customer Service Team at 1-855-HD-HAMPTON or visit www.HAMPTONBAY.com.

Pre-assembly

PLANNING ASSEMBLY

Read all instructions before assembly.

To avoid damaging this product, assemble it on a soft, non-abrasive surface such as carpet or cardboard.



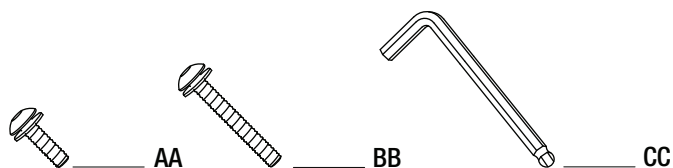
NOTE: More than one person may be required to assemble this product.

Pre-assembly (continued)

HARDWARE INCLUDED

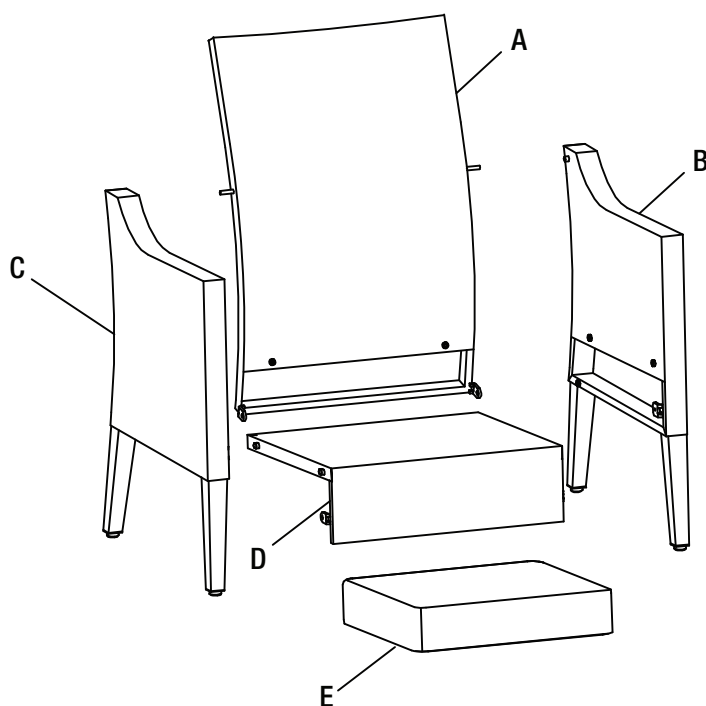


NOTE: Hardware not shown to actual size.



Part	Description	Quantity
AA	M6x20 Combination Bolt	8+1
BB	M6x40 Combination Bolt	12+1
CC	Hex Wrench	1

PACKAGE CONTENTS



Part	Description	Quantity
A	Chair Back	2
B	Left Arm	2
C	Right Arm	2
D	Chair Seat	2
E	Seat Cushion	2

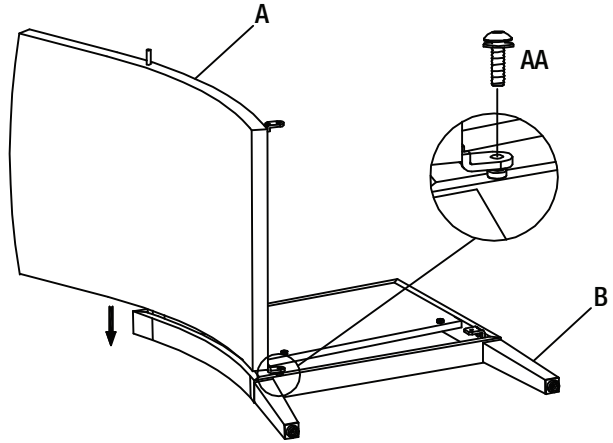
Assembly

1 Connecting The Chair Back To The Left Arm



NOTE: Loosely tighten all bolts using the hex wrench (CC).

- Place the left arm (B) on a soft surface.
- Insert the chair back (A) into the left arm (B).
Tighten using an M6x20 combination bolt (AA).

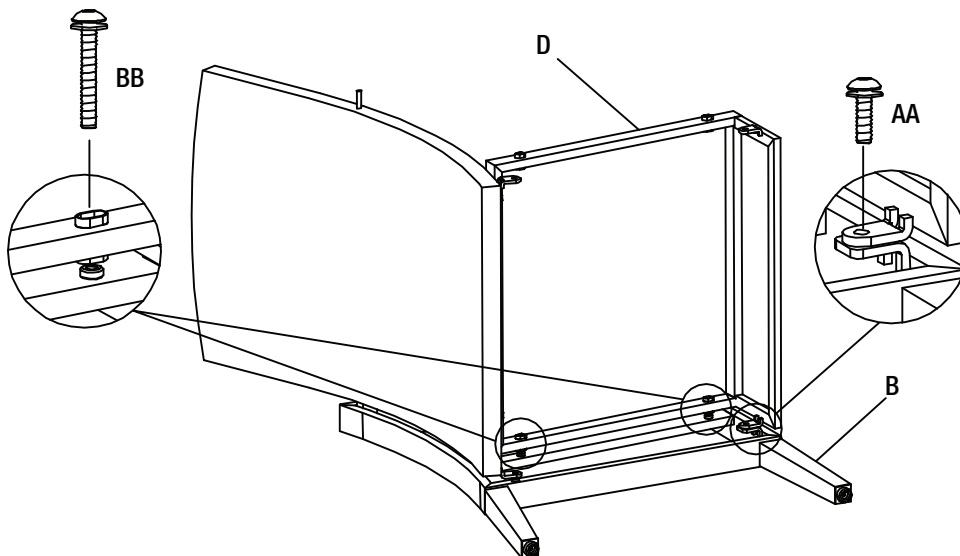


2 Attaching The Chair Seat To The Left Arm



NOTE: Loosely tighten all bolts using the hex wrench (CC).

- Attach the chair seat (D) to the left arm (B) using M6x20 combination bolt (AA) and M6x40 combination bolts (BB).



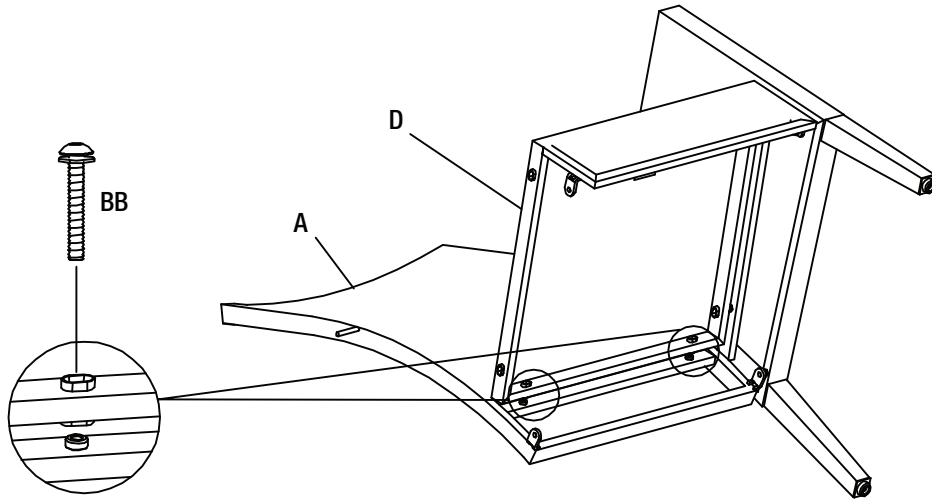
Assembly (continued)

3 Attaching The Chair Seat To The Chair Back



NOTE: Loosely tighten all bolts using the hex wrench (CC).

- Place the chair back (A) on the soft surface.
- Attach the chair seat (D) to the chair back (A) using M6x40 combination bolts (BB).

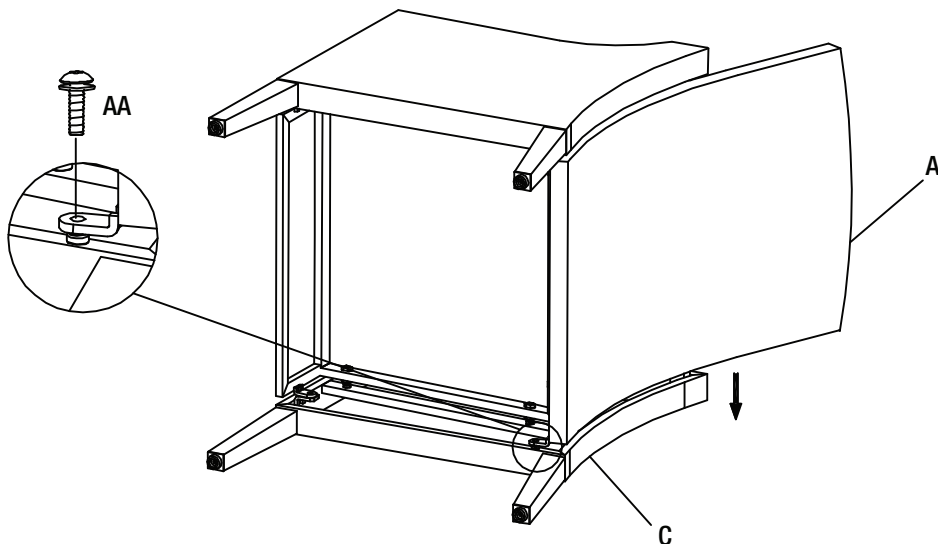


4 Attaching The Right Arm To The Chair Back



NOTE: Loosely tighten all bolts using the hex wrench (CC).

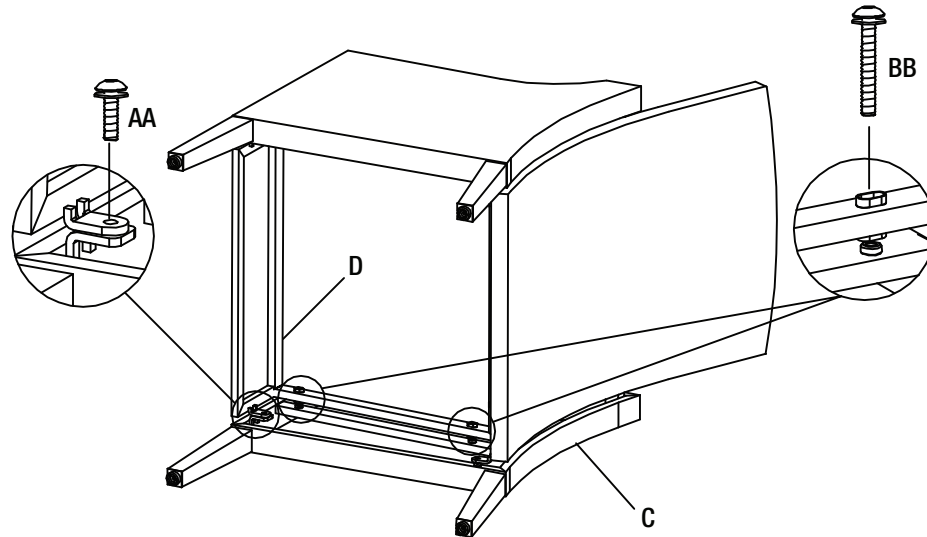
- Place the right arm (C) upside down on a soft surface.
- Insert the chair back (A) into the right arm (C).
Tighten using an M6x20 combination bolt (AA).



Assembly (continued)

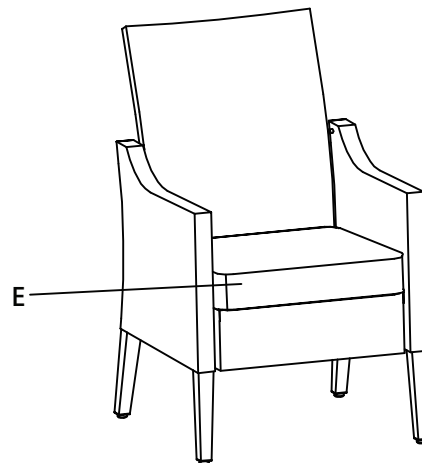
5 Attaching The Right Arm To The Chair Seat

- Attach the chair seat (D) to the right arm (C) using M6x40 combination bolts (BB) and an M6x20 combination bolt (AA).
- Once all of the bolts are in place, fully tighten all the bolts using the hex wrench (CC).



6 Checking The Arm Chair

- Turn the arm chair right side up.
- Place the seat cushion (E) to finish the assembly of the arm chair.
- Ensure all connections are secure before use.



Care and Cleaning

- For best results, clean the frame and fabric with a damp cloth and dry thoroughly. This will help prevent mildew by removing dirt particles that may accumulate.
- Do not clean with abrasive materials, bleach or solvents.
- Store the chair in a dry sheltered place when not in use.
- Keep the chair away from fire, extreme heat, freezing conditions, and inclement weather such as rain, hail, sleet, snow, or wind.

HAMPTON BAY®

Questions, problems, missing parts? Before returning to the store,
call Hampton Bay Customer Service
8 a.m. – 7 p.m., EST, Monday – Friday, 9 a.m. – 6 p.m., EST, Saturday

1-855-HD-HAMPTON

HAMPTONBAY.COM

Retain this manual for future use.

For certification use only
Factory Chair ID #FRS81146