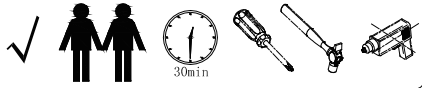
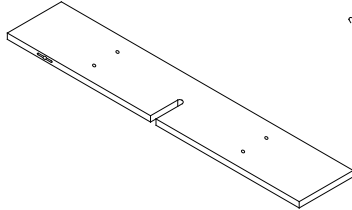


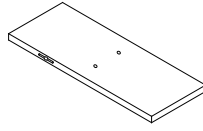
Assembly Instructions



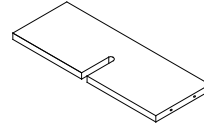
Components



A*2

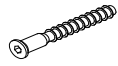


B*2



C*2

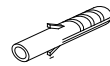
Hardware



a*12



b*2



c*2



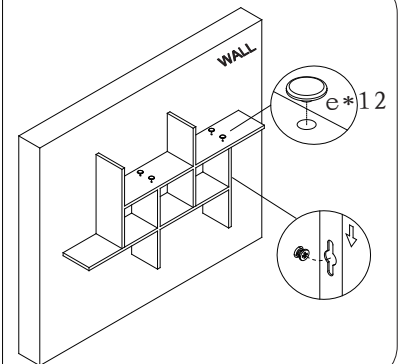
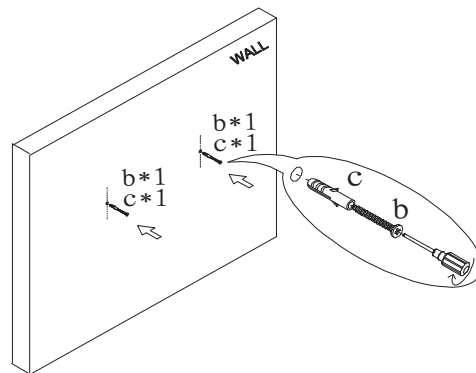
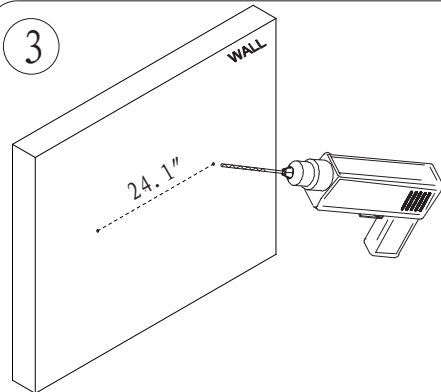
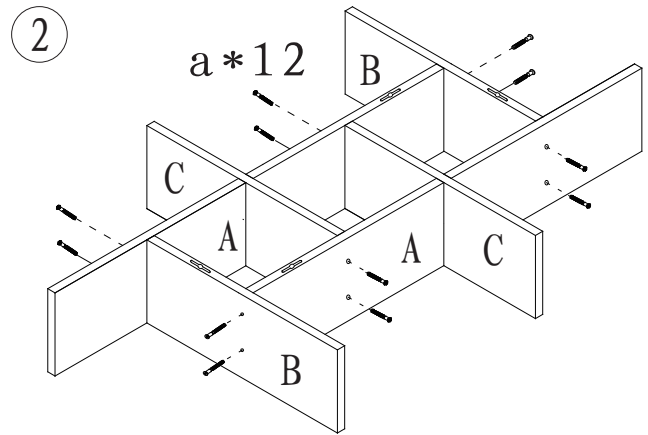
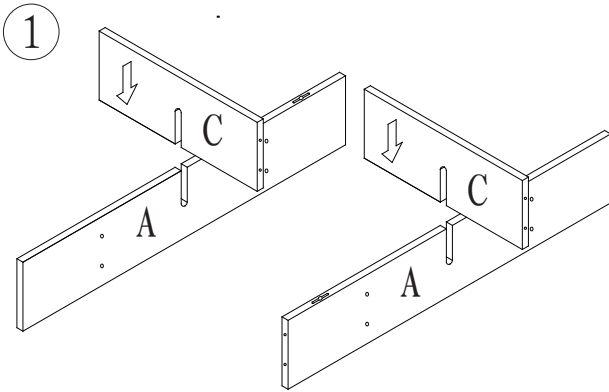
d*1



e*12

Weight Capacity

30 lbs



OR

