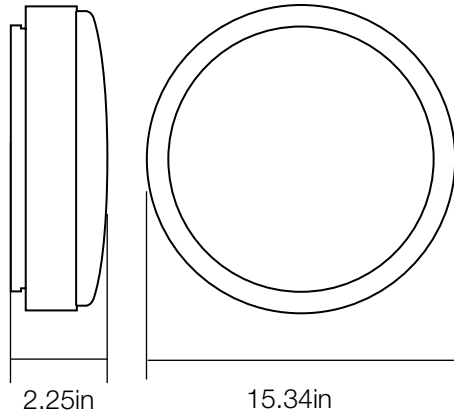


PRODUCT SPECIFICATIONS

# 16in Round Low Profile LED CCT Puff



564501111  
SKU# 1009184216

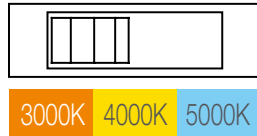


## SPECIFICATIONS

Model Number	564501111
SKU	1009184216
OSMID	324108248
Power	14W
AC Voltage, Frequency	120V, 60 Hz
Color Temp (nom.)	3000K/4000K/5000K
Operation Temp	-4°F ~ 113°F
CRI	80
Lumen Output (min.)	1700 lm
Dimming	YES
Lifetime Rating	L70 / 50,000Hrs
Efficacy	121 lm/watt

## ADVANTAGES

- Adjust Color of Light with Integrated Switch to Soft White, Bright White, or Daylight (3000K / 4000K / 5000K)
- 5 Year Warranty



## PACKAGING

Weight (±0.5 lb)	1.32 lbs
Size (L x W x H) (±0.1 in)	15.34in x 15.34in x 2.25in
Box Dimensions	17.36in x 3.15in x 17.56in
Gross Weight	2.23 lbs
UPC	849489078441

## Dimmer List

Dimmer Brand	Model #
Lutron	DVCL-153PR
	MACL-153MLH-WH
	P-PKG1W-WH-R
	STCL-153PH-WH
Leviton	R11-DSL06-1TW
	R00-RNL06-0TW
	R02-DW6HD-2RW
	R68-06674-P0T
Legrand	RHCL453PICCV4
TP-link	HS220



## INCLUDED IN BOX

- Wire Connector (3)
- Mounting Screw (2)

## SURFACE MOUNT



## APPLICATIONS

Suitable for Damp Locations